



US00D978154S

(12) **United States Design Patent**
Gao

(10) **Patent No.:** **US D978,154 S**

(45) **Date of Patent:** **** Feb. 14, 2023**

(54) **TABLET COMPUTER PROTECTIVE CASING**

(71) Applicant: **Bo Gao**, Guangzhou (CN)

(72) Inventor: **Bo Gao**, Guangzhou (CN)

(**) Term: **15 Years**

(21) Appl. No.: **29/861,973**

(22) Filed: **Dec. 5, 2022**

(51) **LOC (14) Cl.** **14-02**

(52) **U.S. Cl.**
USPC **D14/440**

(58) **Field of Classification Search**
USPC D14/440, 447, 250; 361/679.55;
206/45.23, 320, 45.2; 294/25;
455/575.8; D3/294
CPC ... G06F 1/1628; G06F 1/1626; A47B 23/044;
A45C 11/00
See application file for complete search history.

D937,275 S *	11/2021	Cheng	D14/440
D942,456 S *	2/2022	Liao	D14/440
D944,256 S *	2/2022	Cheng	D14/440
D946,579 S *	3/2022	Tan	D14/440
D949,153 S *	4/2022	Chen	D14/440
D951,959 S *	5/2022	Qu	D14/440
D967,829 S *	10/2022	Lin	D14/440
D967,830 S *	10/2022	Cheng	D14/440
D967,831 S *	10/2022	Zeng	D14/440
D970,510 S *	11/2022	Cheng	D14/440
2010/0123062 A1 *	5/2010	Jones	F16M 11/16 248/220.21
2012/0104185 A1 *	5/2012	Carroll	F16M 11/041 248/145.6
2015/0009610 A1 *	1/2015	London	G06F 1/163 16/408
2017/0196327 A1 *	7/2017	Ma	H01R 24/62

* cited by examiner

Primary Examiner — Cynthia R Underwood

(57) **CLAIM**

The ornamental design for a tablet computer protective casing, as shown and described.

DESCRIPTION

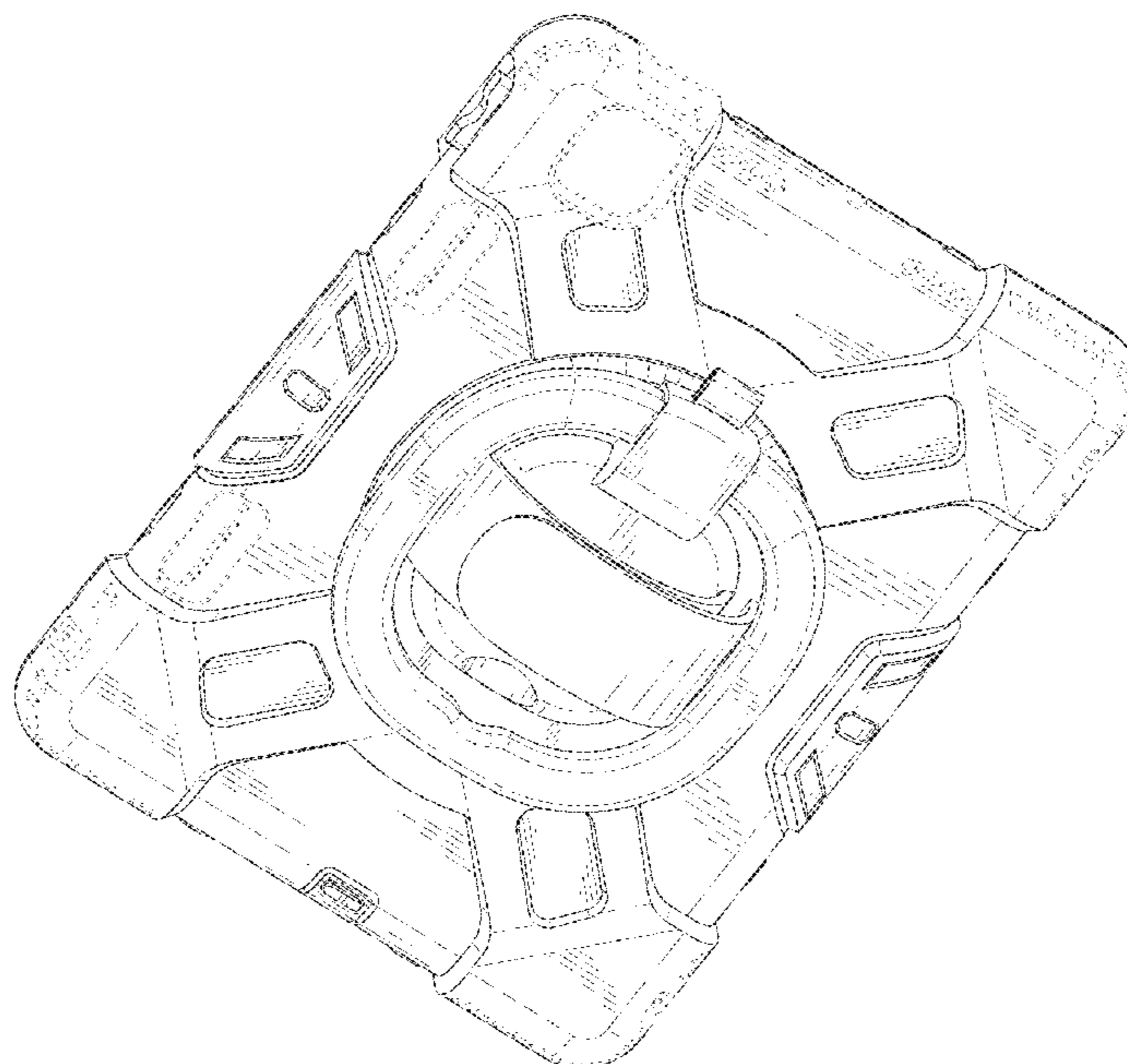
FIG. 1 is a front and bottom perspective view of a tablet computer protective casing, showing my new design; FIG. 2 is a rear and top perspective view thereof; FIG. 3 is a front elevation view thereof; FIG. 4 is a rear elevation view thereof; FIG. 5 is a left side elevation view thereof; FIG. 6 is a right side elevation view thereof; FIG. 7 is a top plan view thereof; and, FIG. 8 is a bottom plan view thereof. The broken lines in the figures illustrate portions of the tablet computer protective casing that form no part of the claimed design.

1 Claim, 8 Drawing Sheets

(56) **References Cited**

U.S. PATENT DOCUMENTS

D643,843 S *	8/2011	Hsieh	D14/440
D660,305 S *	5/2012	Ho	D14/447
D711,886 S *	8/2014	Kerawala	D14/440
9,074,725 B2 *	7/2015	Trotsky	F16M 11/105
D747,321 S *	1/2016	London	D14/440
D831,659 S	10/2018	Gao	
D835,088 S *	12/2018	Zhuang	D14/440
D837,219 S *	1/2019	Gao	D14/440
D851,649 S *	6/2019	Tan	D14/440
D858,507 S *	9/2019	Jang	D14/251
D883,987 S *	5/2020	Cheng	D14/440
D897,348 S *	9/2020	Liao	D14/440
D898,036 S *	10/2020	Cheng	D14/440
D912,282 S *	3/2021	Kim	D26/28
D920,982 S *	6/2021	Xu	D14/440
D930,002 S *	9/2021	Zhou	D14/440



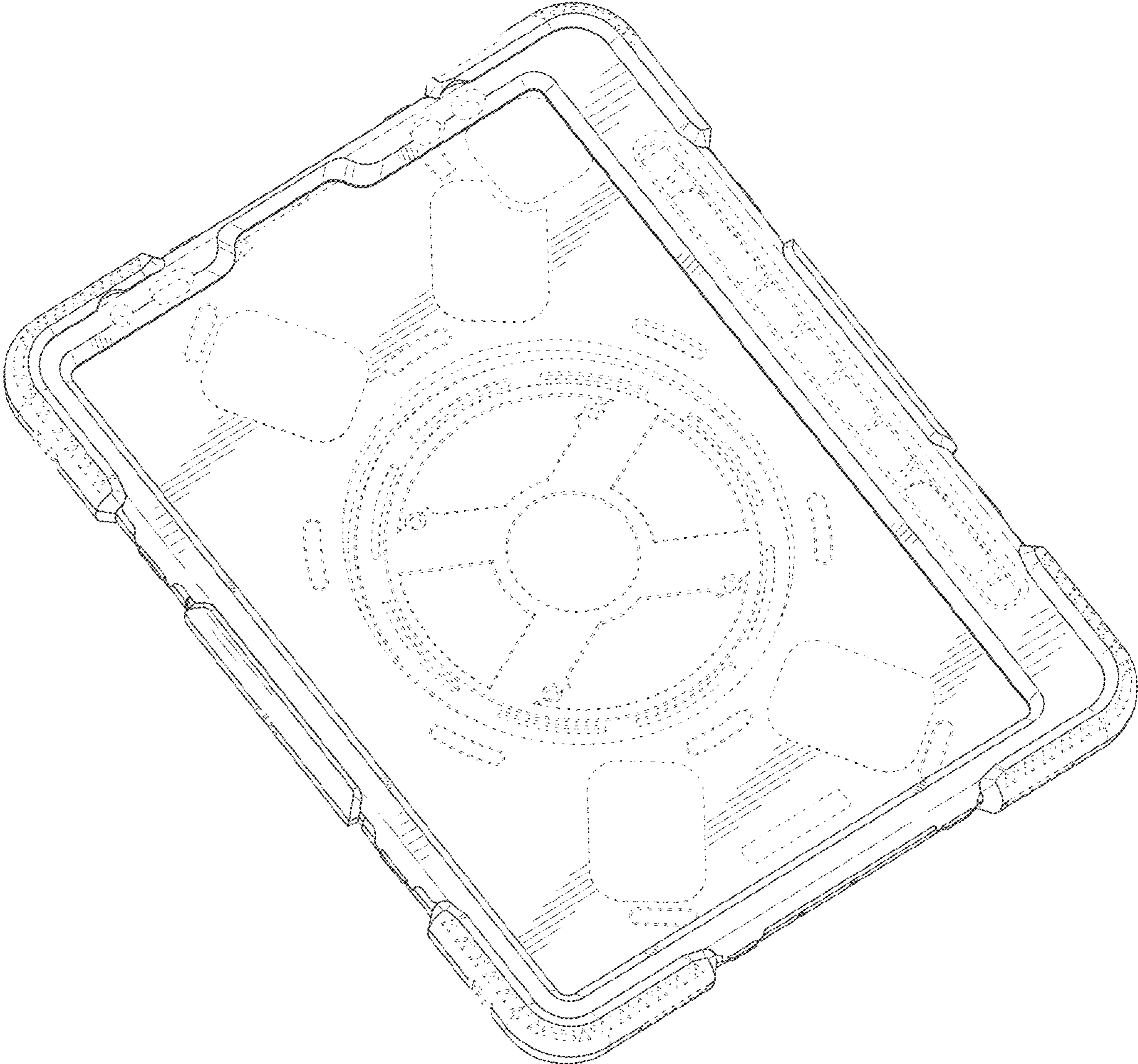


FIG. 1

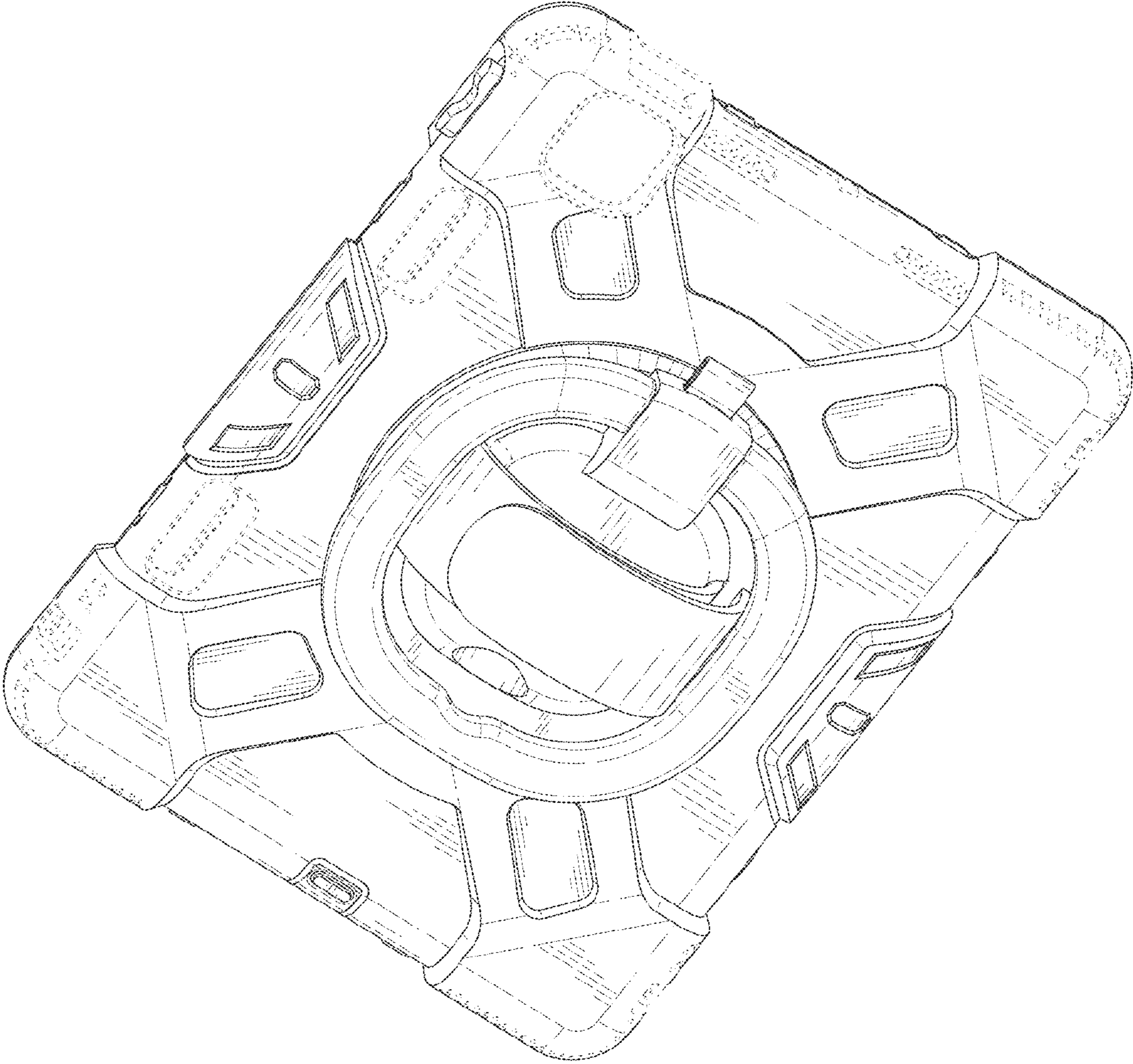


FIG. 2

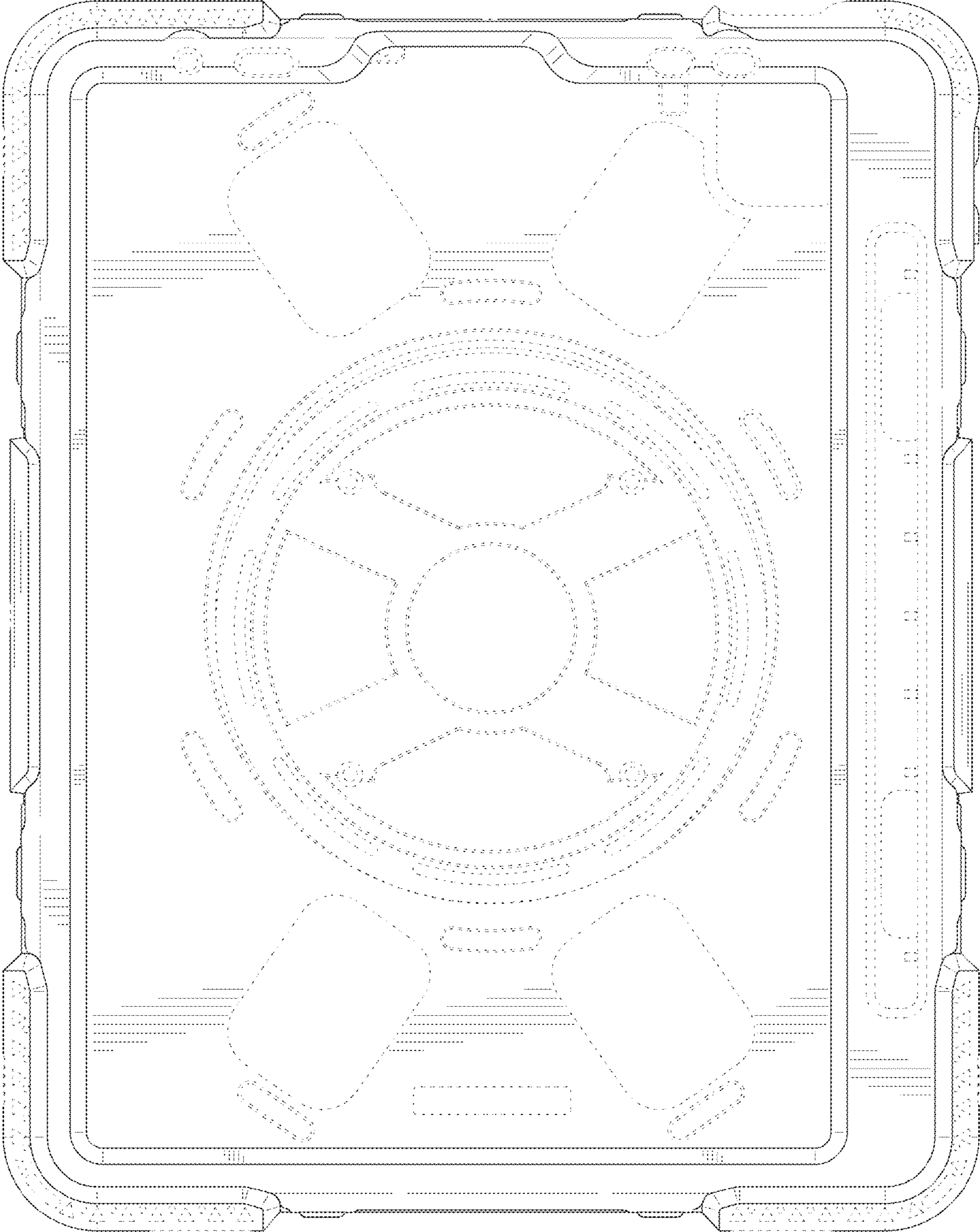


FIG. 3

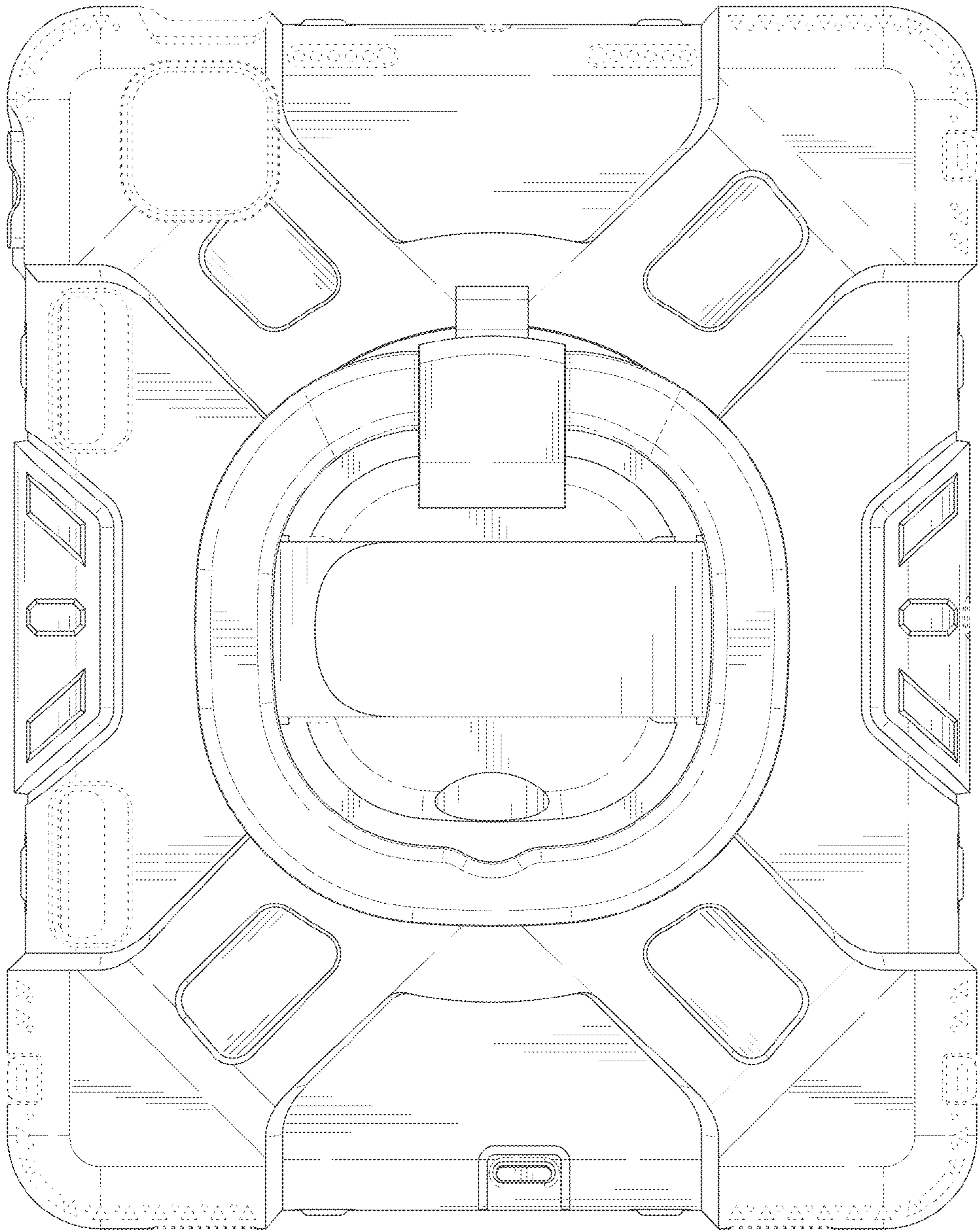


FIG. 4

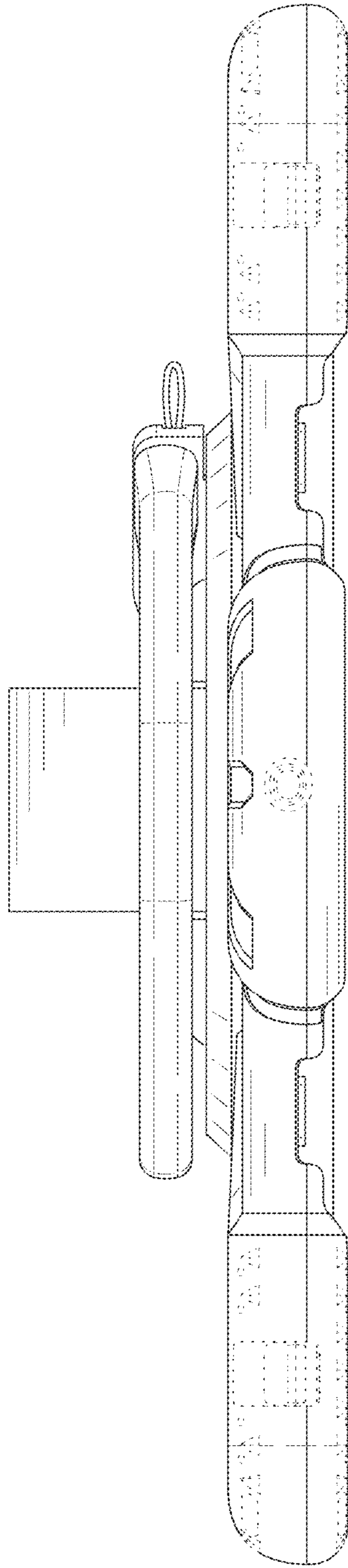


FIG. 5

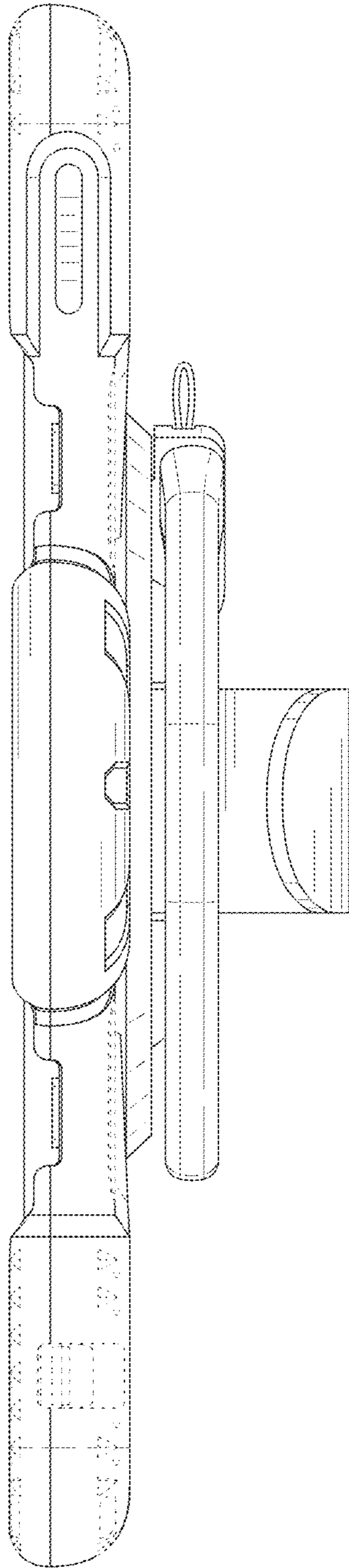


FIG. 6

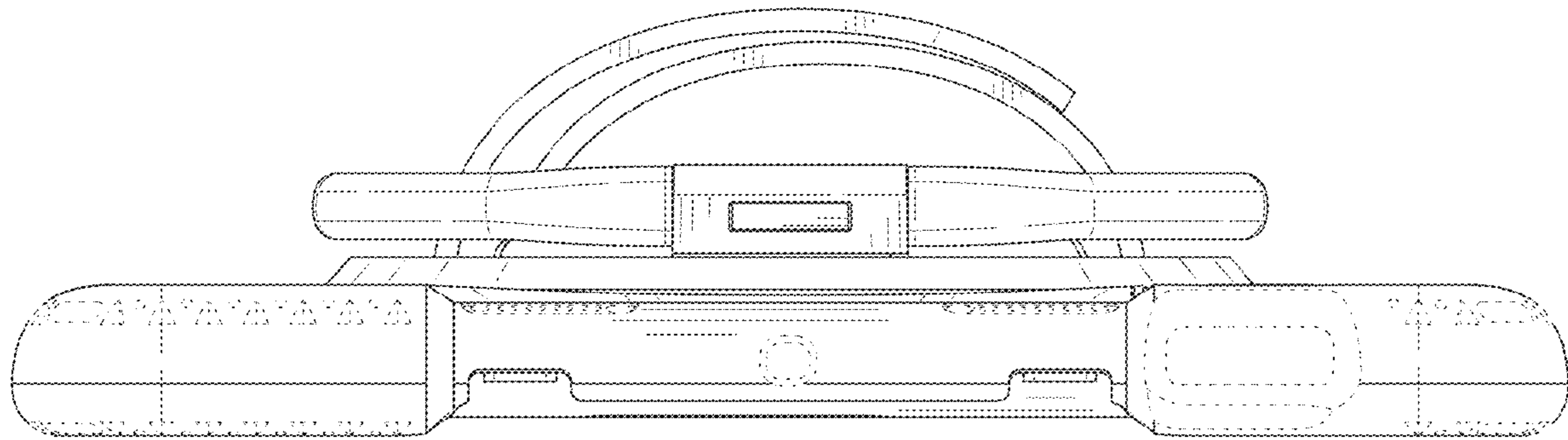


FIG. 7

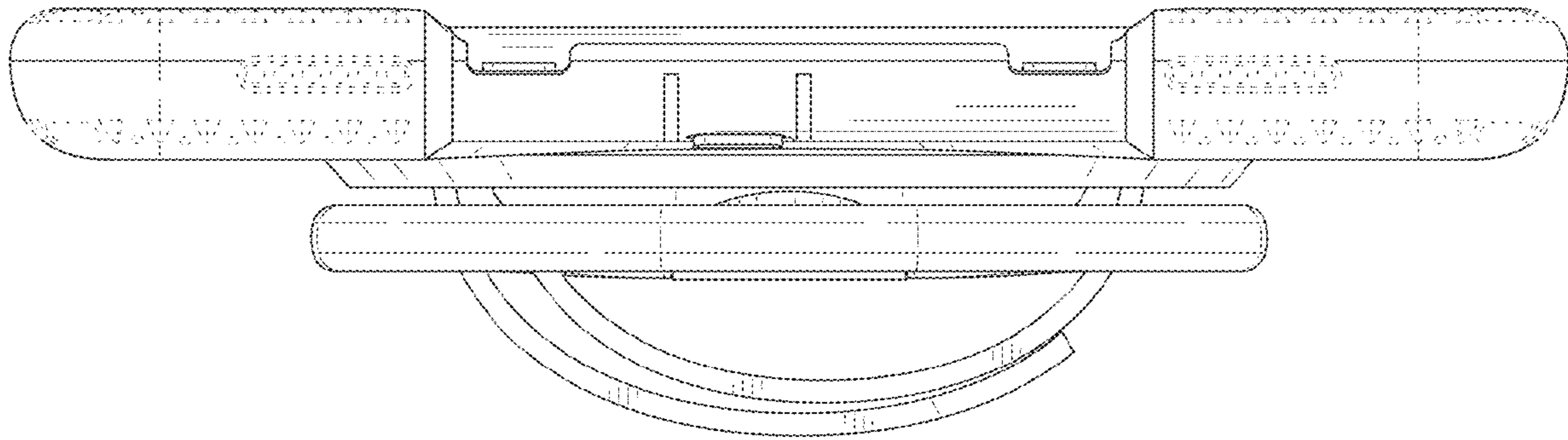


FIG. 8