



US00D978153S

(12) **United States Design Patent** (10) **Patent No.:** **US D978,153 S**
Akana et al. (45) **Date of Patent:** **** Feb. 14, 2023**

(54) **CASE FOR PORTABLE DISPLAY DEVICE**

- (71) Applicant: **Apple Inc.**, Cupertino, CA (US)
- (72) Inventors: **Jody Akana**, San Francisco, CA (US); **Bartley K. Andre**, Palo Alto, CA (US); **Jeremy Bataillou**, San Francisco, CA (US); **Daniel J. Coster**, San Francisco, CA (US); **Daniele De Iuliis**, San Francisco, CA (US); **M. Evans Hankey**, San Francisco, CA (US); **Julian Hoenig**, San Francisco, CA (US); **Richard P. Howarth**, San Francisco, CA (US); **Jonathan P. Ive**, San Francisco, CA (US); **Duncan Robert Kerr**, San Francisco, CA (US); **Shin Nishibori**, Kailua, HI (US); **Matthew Dean Rohrbach**, San Francisco, CA (US); **Peter Russell-Clarke**, San Francisco, CA (US); **Christopher J. Stringer**, Woodside, CA (US); **Eugene Antony Whang**, San Francisco, CA (US); **Rico Zörkendörfer**, San Francisco, CA (US)

(73) Assignee: **Apple Inc.**, Cupertino, CA (US)

(**) Term: **15 Years**

(21) Appl. No.: **29/825,326**

(22) Filed: **Jan. 31, 2022**

Related U.S. Application Data

(63) Continuation of application No. 29/784,011, filed on May 17, 2021, now Pat. No. Des. 942,459, which is a continuation of application No. 29/679,892, filed on Feb. 11, 2019, now Pat. No. Des. 920,335, which is a continuation of application No. 29/586,557, filed on Dec. 5, 2016, now Pat. No. Des. 840,405, which is a continuation of application No. 29/500,365, filed on Aug. 25, 2014, now Pat. No. Des. 773,454, which is a continuation of application No. 29/415,927, filed on Mar. 15, 2012, now Pat. No. Des. 713,402, which is

a continuation of application No. 29/415,062, filed on Mar. 7, 2012, now Pat. No. Des. 688,251, and a continuation-in-part of application No. 29/415,035, filed on Mar. 6, 2012, now abandoned, said application No. 29/415,062 is a continuation of application No. 29/415,035, filed on Mar. 6, 2012, now abandoned.

(51) **LOC (14) Cl.** **14-02**

(52) **U.S. Cl.**
USPC **D14/440**

(58) **Field of Classification Search**

USPC D14/440, 447, 250, 316; 361/679.55; 206/45.23, 320, 45.2; 294/25; 455/575.8; D3/289, 301, 283, 265, 243, D3/249, 294, 284, 274, 303, 266, 203.1, D3/315, 276

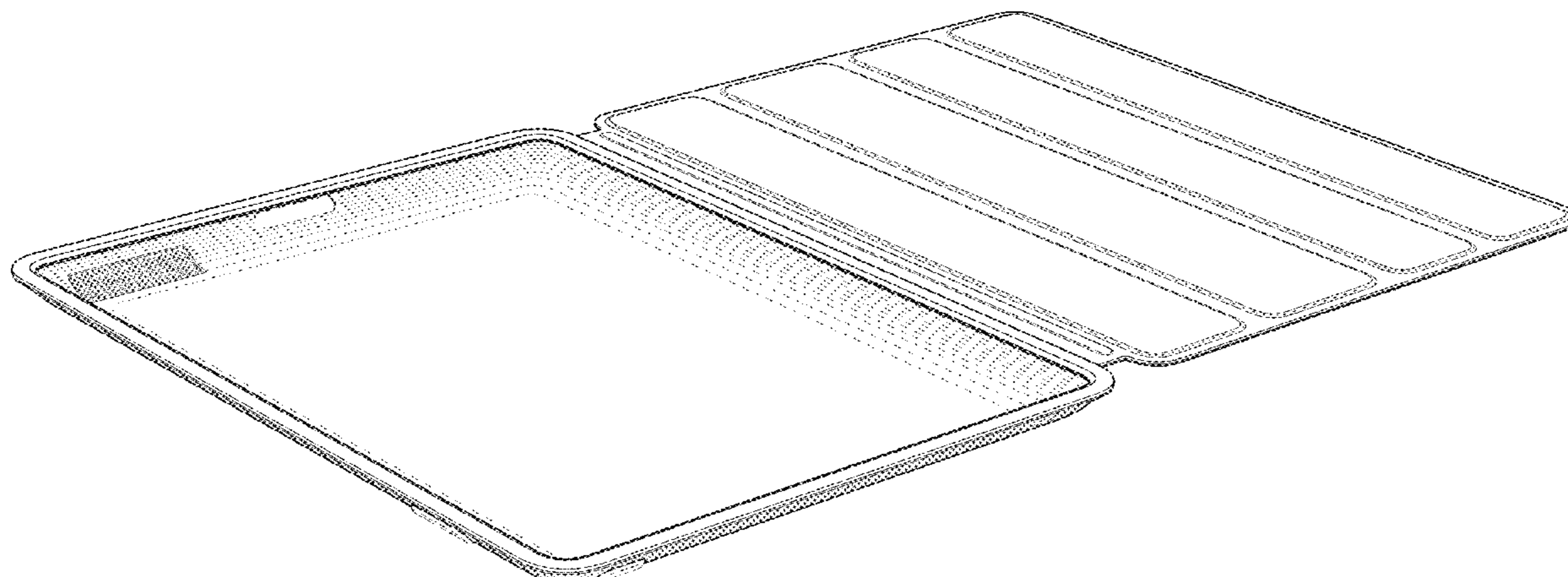
CPC ... G06F 1/1628; G06F 1/1626; A47B 23/044; A45C 11/00; A45C 13/02; H04B 1/3888

See application file for complete search history.

(56) **References Cited**

U.S. PATENT DOCUMENTS

2,968,176 A	1/1961	Collings
3,442,371 A	5/1969	Deshong et al.
4,718,550 A	1/1988	Johnson
D321,855 S	11/1991	Ross
5,066,158 A	11/1991	Huang
5,092,354 A	3/1992	Pacelli
D331,191 S	11/1992	Ventola et al.
D340,701 S	10/1993	Takeuchi
D356,102 S	3/1995	Haga
D364,191 S	11/1995	Allen
D461,469 S	8/2002	Wang et al.
D467,429 S	12/2002	Bone et al.
D512,100 S	11/2005	Howes et al.
D517,512 S	3/2006	Peng
D518,007 S	3/2006	Peng
D518,008 S	3/2006	Peng
D538,096 S	3/2007	Bartell et al.
D538,787 S	3/2007	Tsai
D542,772 S	5/2007	Shimizu
D555,667 S	11/2007	Hussaini et al.
D556,681 S	12/2007	Kim
D557,814 S	12/2007	Glenn et al.
D574,819 S	8/2008	Andre et al.
D577,743 S	9/2008	Liu



US D978,153 S

D582,405 S	12/2008	Andre et al.		D706,270 S	6/2014	Akana et al.
D583,360 S	12/2008	Gredler		D706,783 S *	6/2014	Almodova D14/440
D584,141 S	1/2009	Smith et al.		D707,229 S *	6/2014	Almodova D14/440
D593,540 S	6/2009	Skurdal		8,757,375 B2 *	6/2014	Huang A47B 23/043 206/45.24
D594,876 S	6/2009	Hwang				
D599,821 S	9/2009	Tang		D708,838 S *	7/2014	Lee D3/201
D604,744 S	11/2009	Tseng et al.		D710,859 S *	8/2014	Mecchella D14/440
D606,096 S	12/2009	Bui		D711,887 S	8/2014	Akana et al.
D606,751 S	12/2009	Andre et al.		8,797,132 B2 *	8/2014	Childs A45C 11/00 335/219
D608,794 S	1/2010	Xiao et al.				
D609,718 S	2/2010	Chang et al.		D713,847 S *	9/2014	Su D14/440
D616,416 S	5/2010	Lin		D713,848 S	9/2014	Akana et al.
D616,464 S	5/2010	Park		D730,913 S *	6/2015	Shao D14/440
D619,361 S	7/2010	Andre et al.		D734,760 S *	7/2015	Brunner D14/440
D622,258 S	8/2010	Joseph		9,451,818 B2 *	9/2016	Buechin A45C 13/1069
D622,716 S	8/2010	Andre et al.		D783,589 S *	4/2017	Tattari D14/250
D627,777 S	11/2010	Akana et al.		D784,995 S *	4/2017	Akana D14/440
D633,388 S	3/2011	Andre et al.		D807,891 S *	1/2018	Yeo D14/440
D637,814 S	5/2011	Akana et al.		D857,023 S *	8/2019	Hyun D14/440
D639,296 S	6/2011	Tseng et al.		D871,415 S *	12/2019	Lin D14/440
D641,348 S	7/2011	Kim et al.		D889,474 S	7/2020	Akana et al.
D644,248 S	8/2011	Kim et al.		10,905,211 B2 *	2/2021	Nyholm A45C 15/00
D649,785 S	12/2011	Akana et al.		D920,337 S *	5/2021	Chan D14/440
D652,829 S	1/2012	Kim et al.		D921,637 S *	6/2021	Cheng D14/440
D656,495 S	3/2012	Andre et al.		D928,788 S *	8/2021	Kang D14/440
D656,929 S	4/2012	Hsiung		D942,459 S *	2/2022	Akana D14/440
D657,354 S	4/2012	Kim		D942,460 S *	2/2022	Akana D14/440
D658,186 S	4/2012	Akana et al.		D944,804 S *	3/2022	Diebel G06F 1/1628 D14/440
D658,187 S *	4/2012	Diebel G06F 1/1628 D14/440		D949,867 S *	4/2022	Wu D14/440
D658,188 S *	4/2012	Diebel D14/440		D960,154 S *	8/2022	Akana D14/345
D658,880 S	5/2012	Akana et al.		2003/0034263 A1 *	2/2003	D'Hoste A45C 9/00 206/320
D662,503 S	6/2012	Akana et al.				
D663,304 S	7/2012	Akana et al.		2008/0302687 A1 *	12/2008	Sirichai A45C 11/00 206/320
D663,724 S	7/2012	Lee et al.				
D664,564 S	7/2012	Gillett et al.		2009/0107858 A1	4/2009	Huang
8,245,843 B1 *	8/2012	Wu H01M 10/465 206/320		2009/0194209 A1	8/2009	De Filippis et al.
				2010/0289390 A1	11/2010	Kenney
D669,059 S	10/2012	Huang		2010/0300909 A1	12/2010	Hung
D670,499 S	11/2012	Akana et al.		2011/0164365 A1	7/2011	McClure et al.
D670,692 S	11/2012	Akana et al.		2011/0266194 A1 *	11/2011	Bau H04B 1/3888 206/736
D671,114 S	11/2012	Akana et al.				
8,312,991 B2 *	11/2012	Diebel G06F 1/1628 206/45.24		2012/0194448 A1	8/2012	Rothkopf
				2012/0211377 A1 *	8/2012	Sajid G06F 1/1628 206/216
D671,948 S	12/2012	Akana et al.				
D672,781 S	12/2012	Lu		2012/0211613 A1 *	8/2012	Yang A45C 13/34 248/174
D674,799 S	1/2013	Kim				
D674,800 S	1/2013	Kim		2012/0305413 A1 *	12/2012	Chung A45C 11/00 206/45.23
D678,260 S	3/2013	Bau				
D679,279 S	4/2013	Yang et al.		2013/0020216 A1	1/2013	Chiou
D679,715 S	4/2013	Akana et al.		2013/0048520 A1	2/2013	Garrett et al.
D681,641 S	5/2013	Van Den Nieuwenhuizen et al.		2013/0093304 A1 *	4/2013	Childs F16M 11/10 312/240
D682,836 S	5/2013	Akana et al.				
D682,838 S	5/2013	Akana et al.		2013/0140203 A1 *	6/2013	Chiang G06F 1/1628 206/320
D685,800 S	7/2013	Canizares et al.				
D685,801 S	7/2013	Canizares et al.		2013/0233762 A1	9/2013	Balaji et al.
D685,802 S	7/2013	Canizares et al.		2013/0277271 A1	10/2013	Toulotte
D687,438 S	8/2013	Lu		2015/0151871 A1 *	6/2015	Huang H04B 1/3888 206/45.23
D688,251 S	8/2013	Akana et al.				
D688,868 S	9/2013	Akana et al.		2015/0237979 A1 *	8/2015	Huang A45C 11/00 206/45.25
D689,482 S	9/2013	Akana et al.				
D689,498 S	9/2013	Akana et al.				
D690,703 S	10/2013	Welch et al.				
D691,142 S	10/2013	Diebel				
D691,143 S	10/2013	Diebel				
D691,145 S	10/2013	Nam-Su				
D691,611 S	10/2013	Kirzinger		EM	001266266-0001	3/2011
D692,433 S	10/2013	Akana et al.		EM	001266282-0001	3/2011
D692,434 S	10/2013	Kim		EM	001266290-0001	3/2011
D694,741 S	12/2013	Kim		GB	4020173	6/2011
D696,253 S	12/2013	Akana et al.		JP	D1429341	12/2011
D696,256 S	12/2013	Piedra et al.		TW	D154071	6/2013
D696,669 S	12/2013	Akana et al.				
D696,693 S	12/2013	Kim et al.				
8,640,864 B2 *	2/2014	Chen G06F 1/1628 206/320				
D701,205 S	3/2014	Akana et al.				
D702,673 S *	4/2014	Murchison D14/250				
D704,689 S *	5/2014	Chang D3/218				

FOREIGN PATENT DOCUMENTS

EM	001266266-0001	3/2011
EM	001266282-0001	3/2011
EM	001266290-0001	3/2011
GB	4020173	6/2011
JP	D1429341	12/2011
TW	D154071	6/2013

OTHER PUBLICATIONS

“Introducing the Convertible Magazine Jacket for iPad,” Incase Wire [online], dated Nov. 23, 2010. URL: <<http://goincase.com/blog/2010/11/23/introducing-the-convertible-magazine-jacket-for-ipad/>>.

“Original Targus Folding Genuine Leather Case for Apple iPad with Built-in Holder,” Case Parts [online], dated Mar. 25, 2011, URL: <<http://www.case-parts.com/details/Original-Targus-Folding-Genuine-Leather-Case-for-Apple-iPad-with-Built-in-Holder-IPAD-570/photos.htm>>.

AppOSX. “Review: AViiQ Smart Case for iPad 2,” YouTube [online], dated May 24, 2011, URL: <<http://www.youtube.com/watch?v=DaHjzeVWEuA>>.

Flaminio, Mike. “AViiQ Smart Case for iPad 2 compliments Apple’s Smart Cover (Review),” YouTube [online], dated Aug. 31, 2011, URL: <<http://www.youtube.com/watch?v=wMoZM-ZSn4g>>.

TkviperTech. “iPad 2—Best Protective Case—Smart Cover + Smart Cover Back by Simplism,” YouTube [online], dated May 15, 2011, URL: <<http://www.youtube.com/watch?v=SRHhU98NAd0&feature=endscreen&NR=1>>.

Covert, Adrian. “The First iPad 2 Smart Cover Clones are Here,” Gizmodo [online], dated Mar. 15, 2011, URL: <<http://gizmodo.com/5782270/the-first-ipad-2-smart-cover-clones-are-here>>.

* cited by examiner

Primary Examiner — Cynthia R Underwood
(74) *Attorney, Agent, or Firm* — Sterne, Kessler,
Goldstein & Fox P.L.L.C.

(57) **CLAIM**

The ornamental design for a case for portable display device, as shown and described.

DESCRIPTION

FIG. 1 is a top front perspective view of a case for portable display device in an open position showing the claimed design;

FIG. 2 is a bottom rear perspective view thereof;

FIG. 3 is a front view thereof;

FIG. 4 is a rear view thereof;

FIG. 5 is a bottom view thereof;

FIG. 6 is a top view thereof;

FIG. 7 is an enlarged left side view thereof;

FIG. 8 is an enlarged right side view thereof;

FIG. 9 is a front view thereof showing the case for portable display device in a closed position;

FIG. 10 is an enlarged bottom view in two parts; and,

FIG. 11 is an enlarged top view in two parts.

The dashed broken lines in the figures show portions of the case for portable display device that form no part of the claimed design.

The shade lines in the figures show contour and not surface ornamentation.

1 Claim, 8 Drawing Sheets

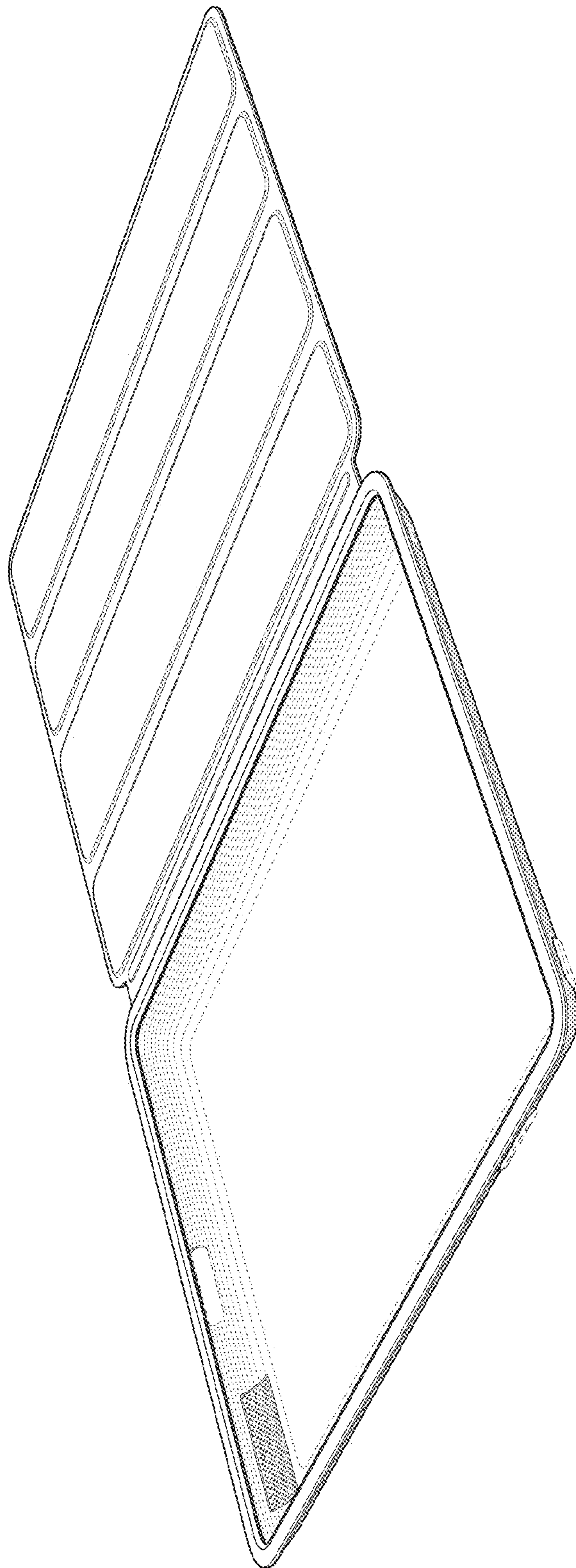


FIG. 1

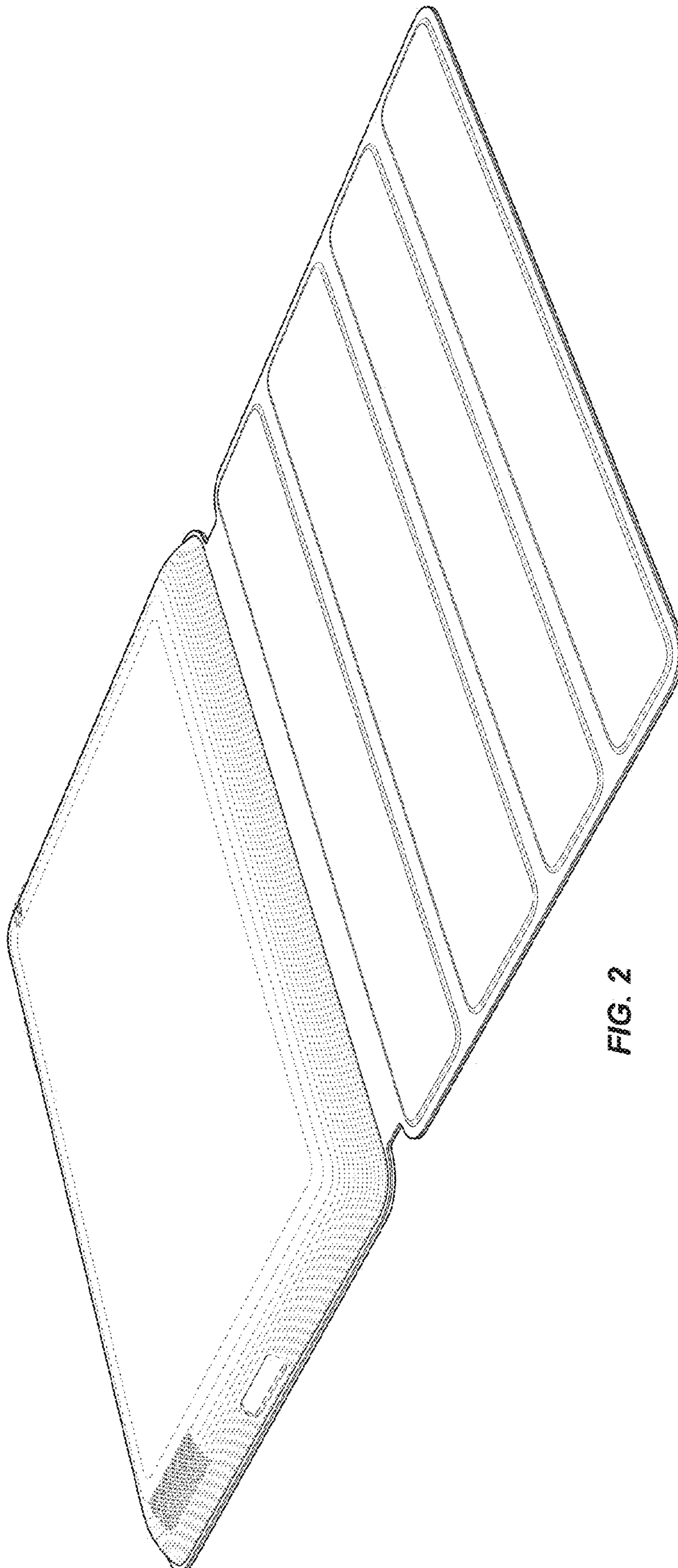


FIG. 2

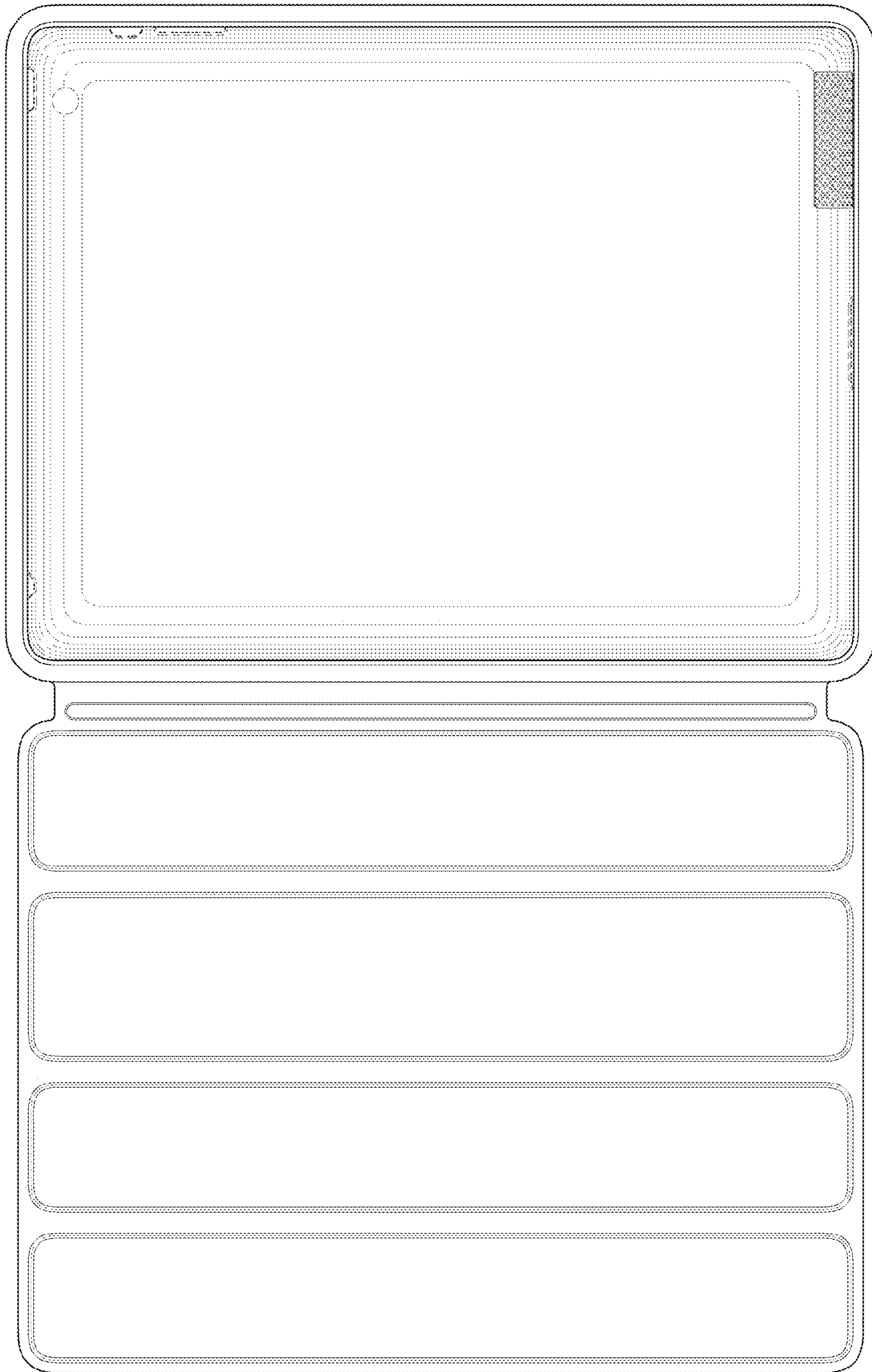


FIG. 3

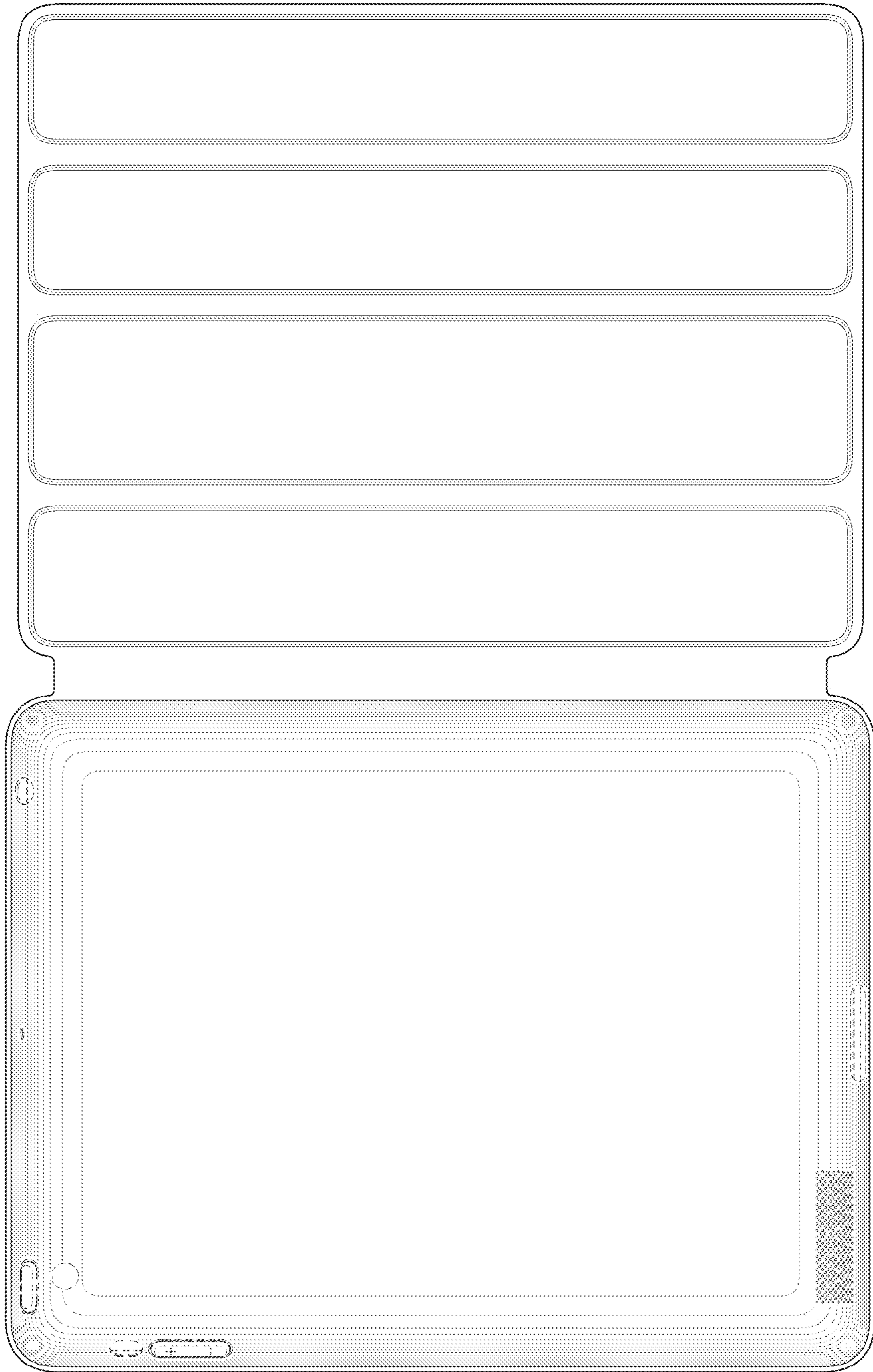


FIG. 4

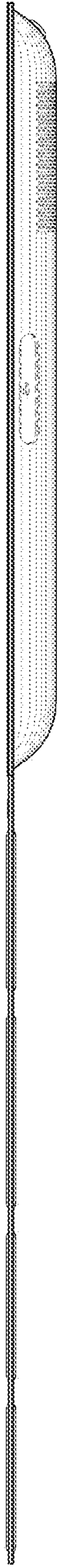


FIG. 5

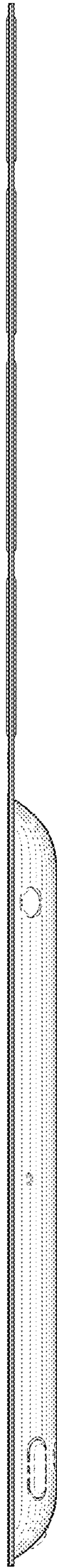


FIG. 6

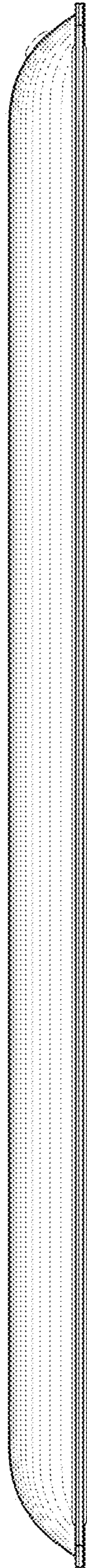


FIG. 7

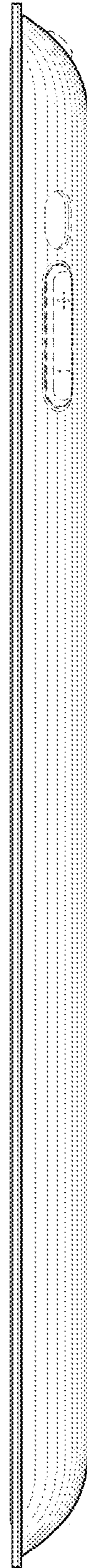


FIG. 8

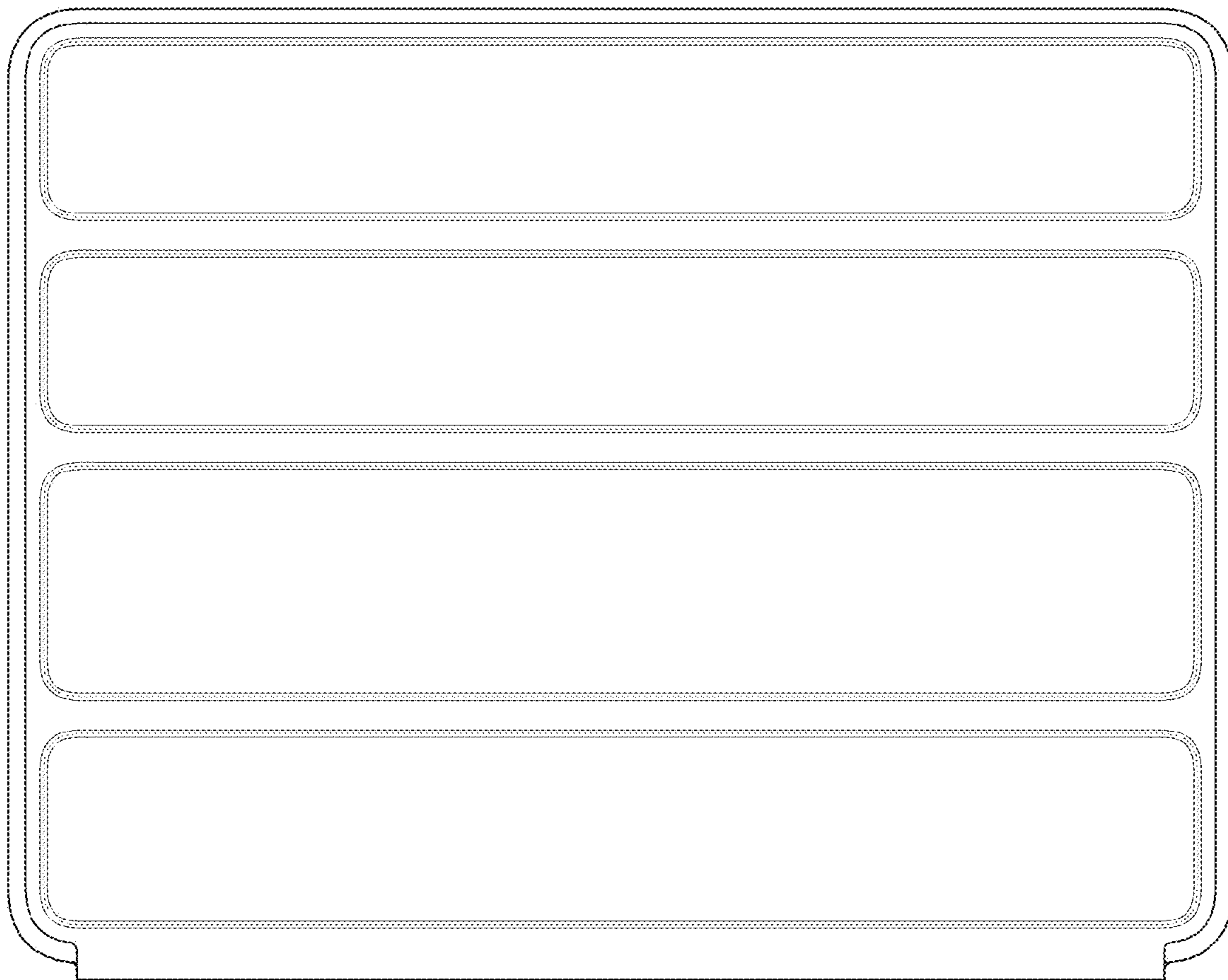


FIG. 9

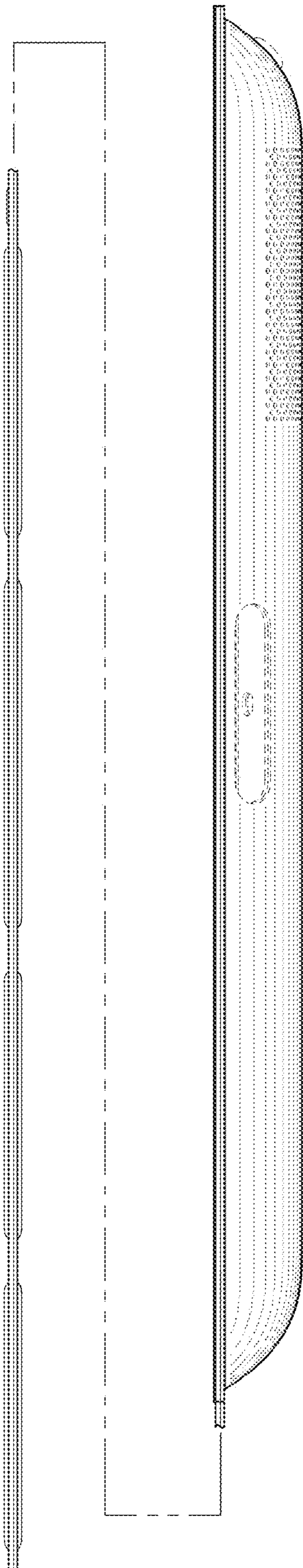


FIG. 10

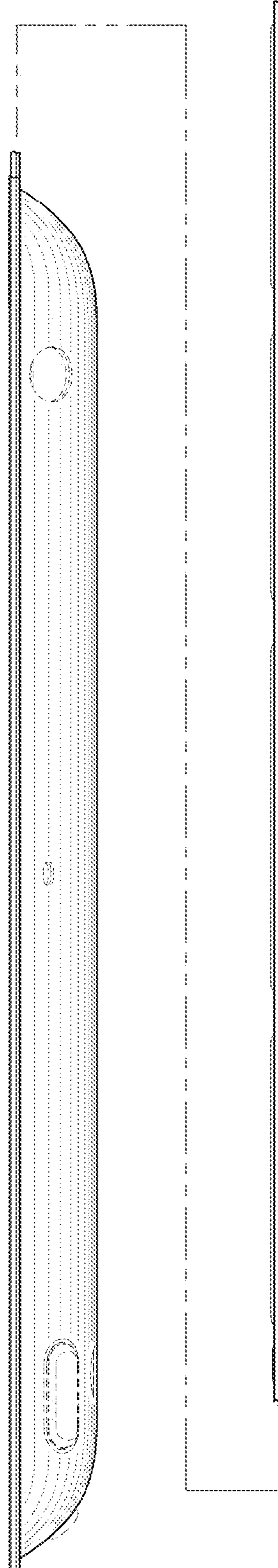


FIG. 11