



US00D978152S

(12) **United States Design Patent**
Akana et al.

(10) **Patent No.:** **US D978,152 S**

(45) **Date of Patent:** **** Feb. 14, 2023**

(54) **CASE FOR PORTABLE DISPLAY DEVICE**

(71) Applicant: **Apple Inc.**, Cupertino, CA (US)

(72) Inventors: **Jody Akana**, San Francisco, CA (US);
Bartley K. Andre, Palo Alto, CA (US);
Jeremy Bataillou, San Francisco, CA (US);
Daniel J. Coster, San Francisco, CA (US);
Daniele De Iuliis, San Francisco, CA (US);
M. Evans Hankey, San Francisco, CA (US);
Julian Hoenig, San Francisco, CA (US);
Richard P. Howarth, San Francisco, CA (US);
Jonathan P. Ive, San Francisco, CA (US);
Duncan Robert Kerr, San Francisco, CA (US);
Shin Nishibori, Kailua, HI (US);
Matthew Dean Rohrbach, San Francisco, CA (US);
Peter Russell-Clarke, San Francisco, CA (US);
Christopher J. Stringer, Woodside, CA (US);
Eugene Antony Whang, San Francisco, CA (US);
Rico Zörkendörfer, San Francisco, CA (US)

(73) Assignee: **Apple Inc.**, Cupertino, CA (US)

(**) Term: **15 Years**

(21) Appl. No.: **29/825,322**

(22) Filed: **Jan. 31, 2022**

Related U.S. Application Data

(63) Continuation of application No. 29/784,011, filed on May 17, 2021, now Pat. No. Des. 942,459, which is a continuation of application No. 29/679,892, filed on Feb. 11, 2019, now Pat. No. Des. 920,335, which is a continuation of application No. 29/586,557, filed on Dec. 5, 2016, now Pat. No. Des. 840,405, which is a continuation of application No. 29/500,365, filed on Aug. 25, 2014, now Pat. No. Des. 773,454, which is a continuation of application No. 29/415,927, filed on Mar. 15, 2012, now Pat. No. Des. 713,402, which is

a continuation-in-part of application No. 29/415,035, filed on Mar. 6, 2012, now abandoned, and a continuation of application No. 29/415,062, filed on Mar. 7, 2012, now Pat. No. Des. 688,251, which is a continuation of application No. 29/415,035, filed on Mar. 6, 2012, now abandoned.

(51) **LOC (14) Cl.** **14-02**

(52) **U.S. Cl.**
USPC **D14/440**

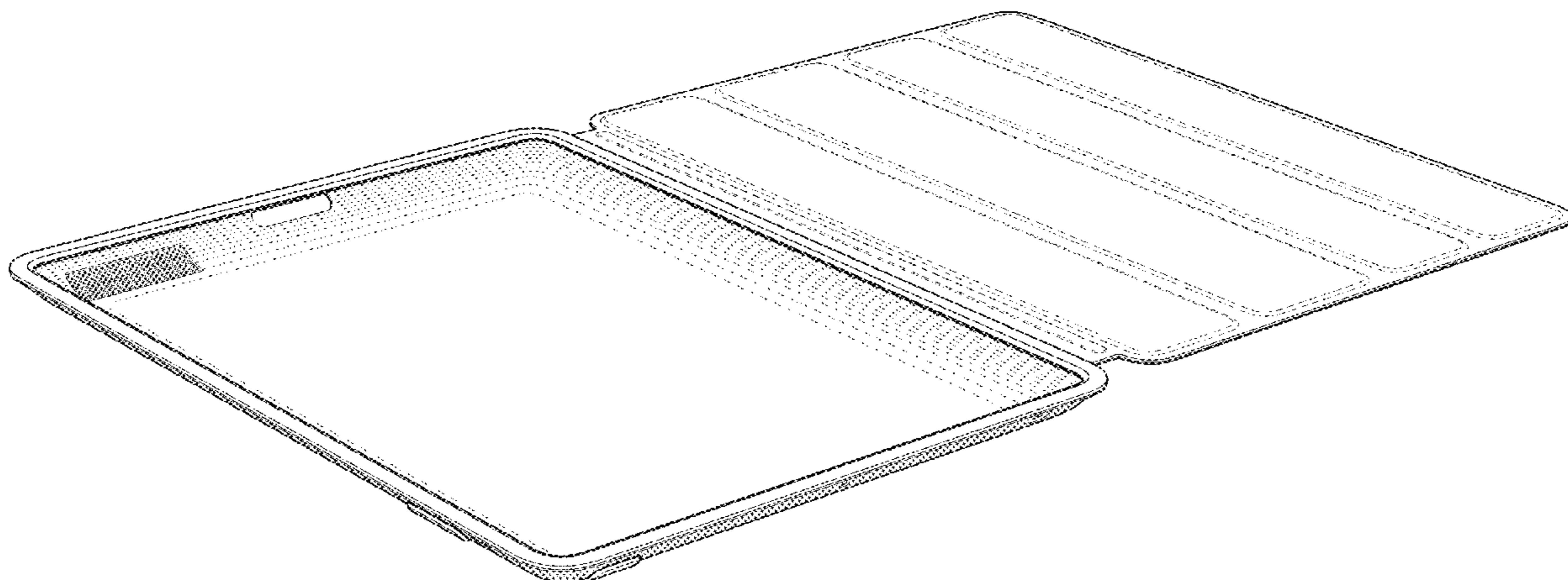
(58) **Field of Classification Search**
USPC D14/440, 447, 250, 316; 361/679.55;
206/45.23, 320, 45.2; 294/25;
455/575.8; D3/289, 301, 283, 265, 243,
D3/249, 294, 284, 274, 303, 266, 203.1,
D3/315, 276

CPC ... G06F 1/1628; G06F 1/1626; A47B 23/044;
A45C 11/00; A45C 13/02; H04B 1/3888
See application file for complete search history.

(56) **References Cited**

U.S. PATENT DOCUMENTS

2,968,176 A	1/1961	Collings
3,442,371 A	5/1969	Deshong et al.
4,718,550 A	1/1988	Johnson
D321,855 S	11/1991	Ross, Jr.
5,066,158 A	11/1991	Huang
5,092,354 A	3/1992	Pacelli, Jr.
D331,191 S	11/1992	Ventola et al.
D340,701 S	10/1993	Takeuchi
D356,120 S	3/1995	Allen
D364,191 S	11/1995	Allen
D461,469 S	8/2002	Wang et al.
D467,429 S	12/2002	Bone et al.
D512,100 S	11/2005	Howes et al.
D517,512 S	3/2006	Peng
D518,007 S	3/2006	Peng
D518,008 S	3/2006	Peng
D538,096 S	3/2007	Bartell et al.
D538,787 S	3/2007	Tsai
D542,772 S	5/2007	Shimizu
D555,667 S	11/2007	Hussaini et al.
D556,681 S	12/2007	Kim
D557,814 S	12/2007	Glenn et al.
D574,819 S	8/2008	Andre et al.
D577,743 S	9/2008	Liu
D582,405 S	12/2008	Andre et al.
D583,360 S	12/2008	Gredler



D584,141 S	1/2009	Smith et al.	
D593,540 S	6/2009	Skurdal	
D594,876 S	6/2009	Hwang	
D599,821 S	9/2009	Tang	
D604,744 S	11/2009	Tseng et al.	
D606,096 S	12/2009	Bui	
D606,751 S	12/2009	Andre et al.	
D608,794 S	1/2010	Xiao et al.	
D609,718 S	2/2010	Chang et al.	
D616,416 S	5/2010	Lin	
D616,464 S	5/2010	Park	
D619,361 S	7/2010	Andre et al.	
D622,258 S	8/2010	Joseph	
D622,716 S	8/2010	Andre et al.	
D627,777 S	11/2010	Akana et al.	
D633,388 S	3/2011	Andre et al.	
D637,814 S	5/2011	Akana et al.	
D644,248 S	8/2011	Kim et al.	
D656,495 S	3/2012	Andre et al.	
D656,929 S	4/2012	Hsiung	
D658,186 S	4/2012	Akana et al.	
D658,187 S *	4/2012	Diebel	G06F 1/1628 D14/440
D658,188 S *	4/2012	Diebel	D14/440
D662,503 S	6/2012	Akana et al.	
D663,724 S	7/2012	Lee et al.	
D664,564 S	7/2012	Gillett et al.	
8,245,843 B1 *	8/2012	Wu	H01M 10/465 206/320
D669,059 S	10/2012	Huang	
D670,692 S	11/2012	Andre et al.	
8,312,991 B2 *	11/2012	Diebel	G06F 1/1628 206/45.24
D682,838 S	5/2013	Akana et al.	
D689,498 S	9/2013	Akana et al.	
8,640,864 B2 *	2/2014	Chen	G06F 1/1628 206/320
D702,673 S *	4/2014	Murchison	D14/250
D703,209 S *	4/2014	Marcus	D14/440
D704,689 S *	5/2014	Chang	D3/218
D706,783 S *	6/2014	Almodova	D14/440
D707,229 S *	6/2014	Almodova	D14/440
8,757,375 B2 *	6/2014	Huang	A47B 23/043 206/45.24
D708,838 S *	7/2014	Lee	D3/201
D710,859 S *	8/2014	Mecchella	D14/440
8,797,132 B2 *	8/2014	Childs	A45C 11/00 335/219
D713,847 S *	9/2014	Su	D14/440
D730,913 S *	6/2015	Shao	D14/440
D734,760 S *	7/2015	Brunner	D14/440
D760,232 S *	6/2016	Akana	D14/440
9,451,818 B2 *	9/2016	Buechin	A45C 13/1069
D783,589 S *	4/2017	Tattari	D14/250
D784,995 S *	4/2017	Akana	D14/440
D807,891 S *	1/2018	Yeo	D14/440
D857,023 S *	8/2019	Hyun	D14/440
D871,415 S *	12/2019	Lin	D14/440
D892,125 S *	8/2020	Ham	D14/440
D909,389 S *	2/2021	Wall	D14/440
10,905,211 B2 *	2/2021	Nyholm	A45C 15/00
D918,923 S	5/2021	Akana et al.	
D920,337 S *	5/2021	Chan	D14/440
D921,637 S *	6/2021	Cheng	D14/440
D928,788 S *	8/2021	Kang	D14/440
D939,492 S *	12/2021	Kim	D14/250
D942,459 S *	2/2022	Akana	D14/440
D942,460 S *	2/2022	Akana	D14/440
D944,804 S *	3/2022	Diebel	G06F 1/1628 D14/440
D949,867 S *	4/2022	Wu	D14/440
D960,154 S *	8/2022	Akana	D14/345
2003/0034263 A1 *	2/2003	D'Hoste	A45C 9/00 206/320
2008/0302687 A1 *	12/2008	Sirichai	A45C 11/00 206/320
2009/0107858 A1	4/2009	Huang	
2009/0194209 A1	8/2009	De Filippis et al.	

2010/0289390 A1	11/2010	Kenney	
2010/0300909 A1	12/2010	Hung	
2011/0164365 A1	7/2011	McClure et al.	
2011/0266194 A1 *	11/2011	Bau	H04B 1/3888 206/736
2012/0211377 A1 *	8/2012	Sajid	G06F 1/1628 206/216
2012/0211613 A1 *	8/2012	Yang	A45C 13/34 248/174
2012/0305413 A1 *	12/2012	Chung	A45C 11/00 206/45.23
2013/0093304 A1 *	4/2013	Childs	F16M 11/10 312/240
2013/0140203 A1 *	6/2013	Chiang	G06F 1/1628 206/320
2015/0151871 A1 *	6/2015	Huang	H04B 1/3888 206/45.23
2015/0237979 A1 *	8/2015	Huang	A45C 11/00 206/45.25

FOREIGN PATENT DOCUMENTS

EM	001266266-0001	3/2011
EM	001266282-0001	3/2011
EM	001266290-0001	3/2011
GB	4020173	6/2011

OTHER PUBLICATIONS

“Introducing the Convertible Magazine Jacket for iPad,” Incase Wire [online], dated Nov. 23, 2010. URL: <<http://goincase.com/blog/2010/11/23/introducing-the-convertible-magazine-jacket-for-ipad/>>.

“Original Targus Folding Genuine Leather Case for Apple iPad with Built-in Holder,” Case Parts [online], dated Mar. 25, 2011, URL: <<http://www.case-parts.com/details/Original-Targus-Folding-Genuine-Leather-Case-for-Apple-iPad-with-Built-in-Holder-IPAD-570/photos.htm>>.

AppOSX. “Review: AViiQ Smart Case for iPad 2,” YouTube [online], dated May 24, 2011, URL: <<http://www.youtube.com/watch?v=DaHjzeVWEuA>>.

Flaminio, Mike. “AViiQ Smart Case for iPad 2 compliments Apple’s Smart Cover (Review),” YouTube [online], dated Aug. 31, 2011, URL: <<http://www.youtube.com/watch?v=wMoZM-ZSn4g>>.

Tkvipertech. “iPad 2—Best Protective Case—Smart Cover + Smart Cover Back by Simplism,” YouTube [online], dated May 15, 2011, URL: <<http://www.youtube.com/watch?v=SRHhU98NAd0&feature=endscreen&NR=1>>.

* cited by examiner

Primary Examiner — Cynthia R Underwood
(74) Attorney, Agent, or Firm — Sterne, Kessler, Goldstein & Fox P.L.L.C.

(57) CLAIM

The ornamental design for a case for portable display device, as shown and described.

DESCRIPTION

FIG. 1 is a top front perspective view of a case for portable display device in an open position showing the claimed design;

FIG. 2 is a bottom rear perspective view thereof;

FIG. 3 is a front view thereof;

FIG. 4 is a rear view thereof;

FIG. 5 is a bottom view thereof;

FIG. 6 is a top view thereof;

FIG. 7 is an enlarged left side view thereof;

FIG. **8** is an enlarged right side view thereof;
FIG. **9** is a front view thereof showing the case for portable display device in a closed position;
FIG. **10** is an enlarged bottom view in two parts; and,
FIG. **11** is an enlarged top view in two parts.
The dashed broken lines in the figures show portions of the case for portable display device that form no part of the claimed design.
The shade lines in the figures show contour and not surface ornamentation.

1 Claim, 8 Drawing Sheets

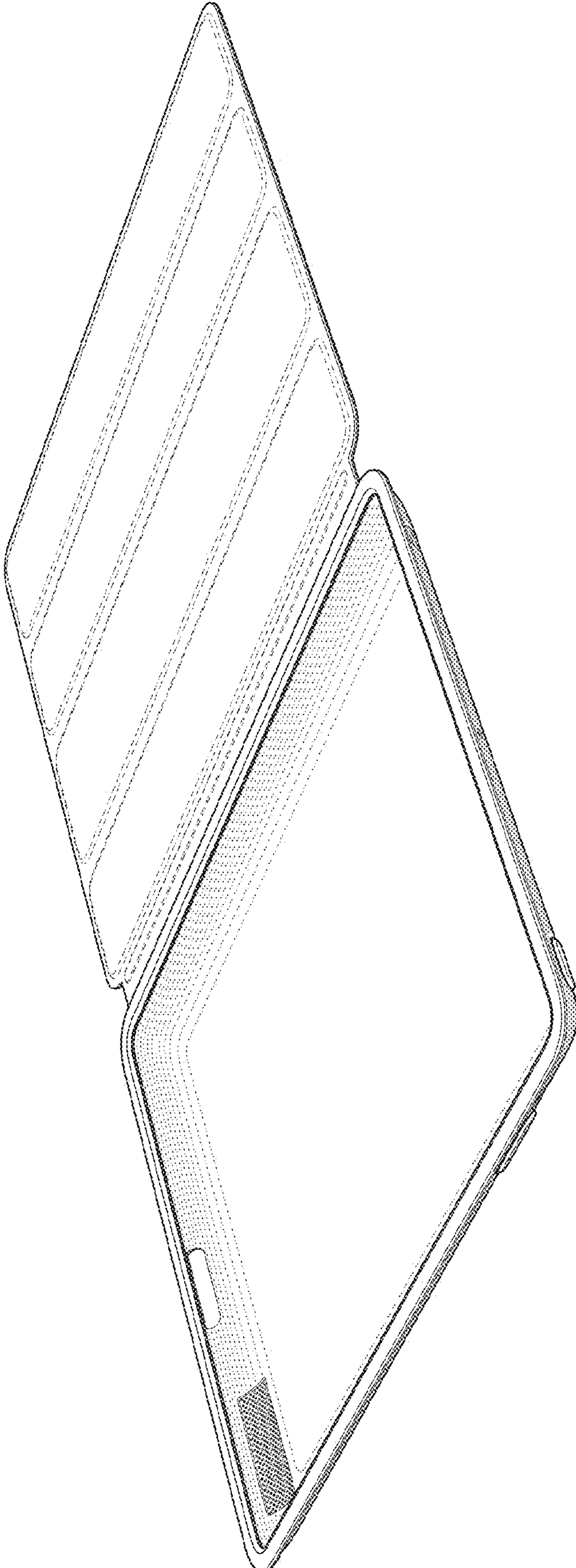


FIG. 1

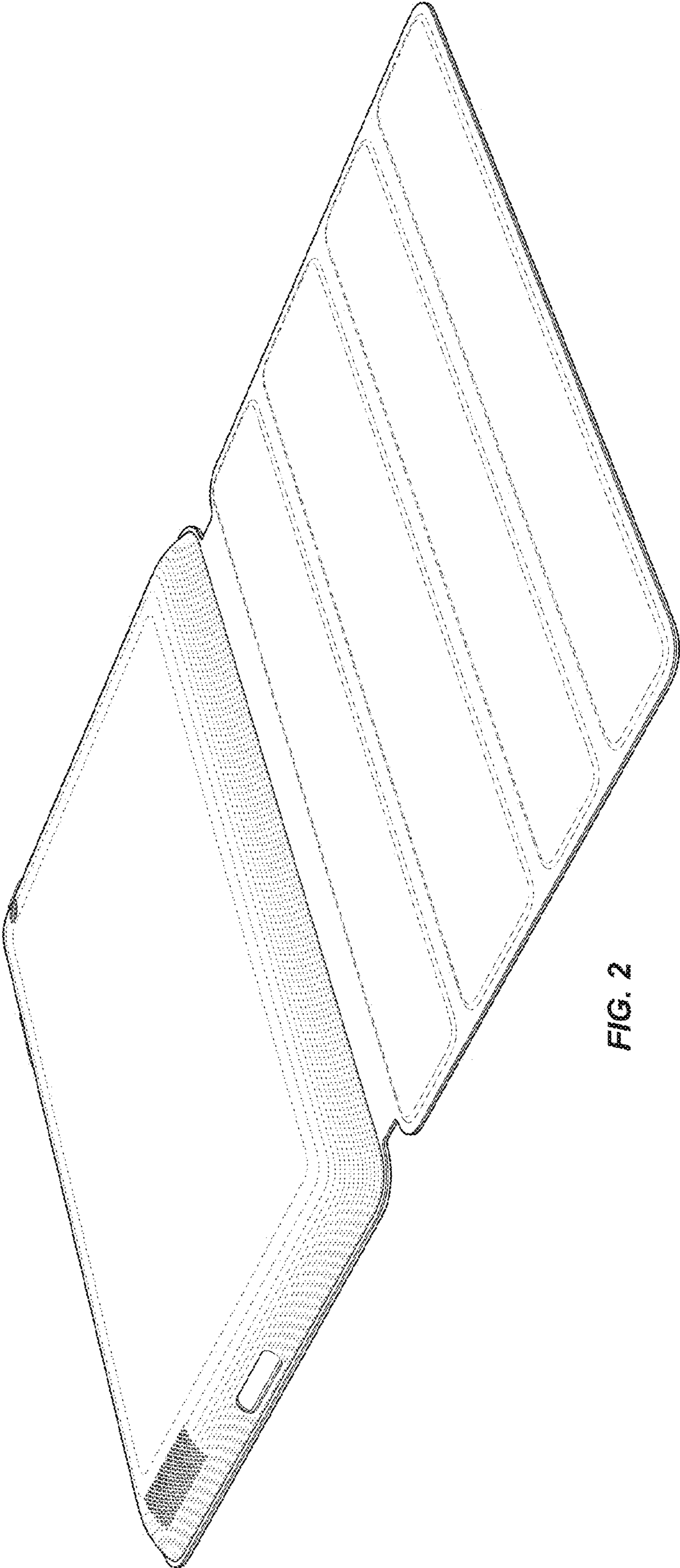


FIG. 2

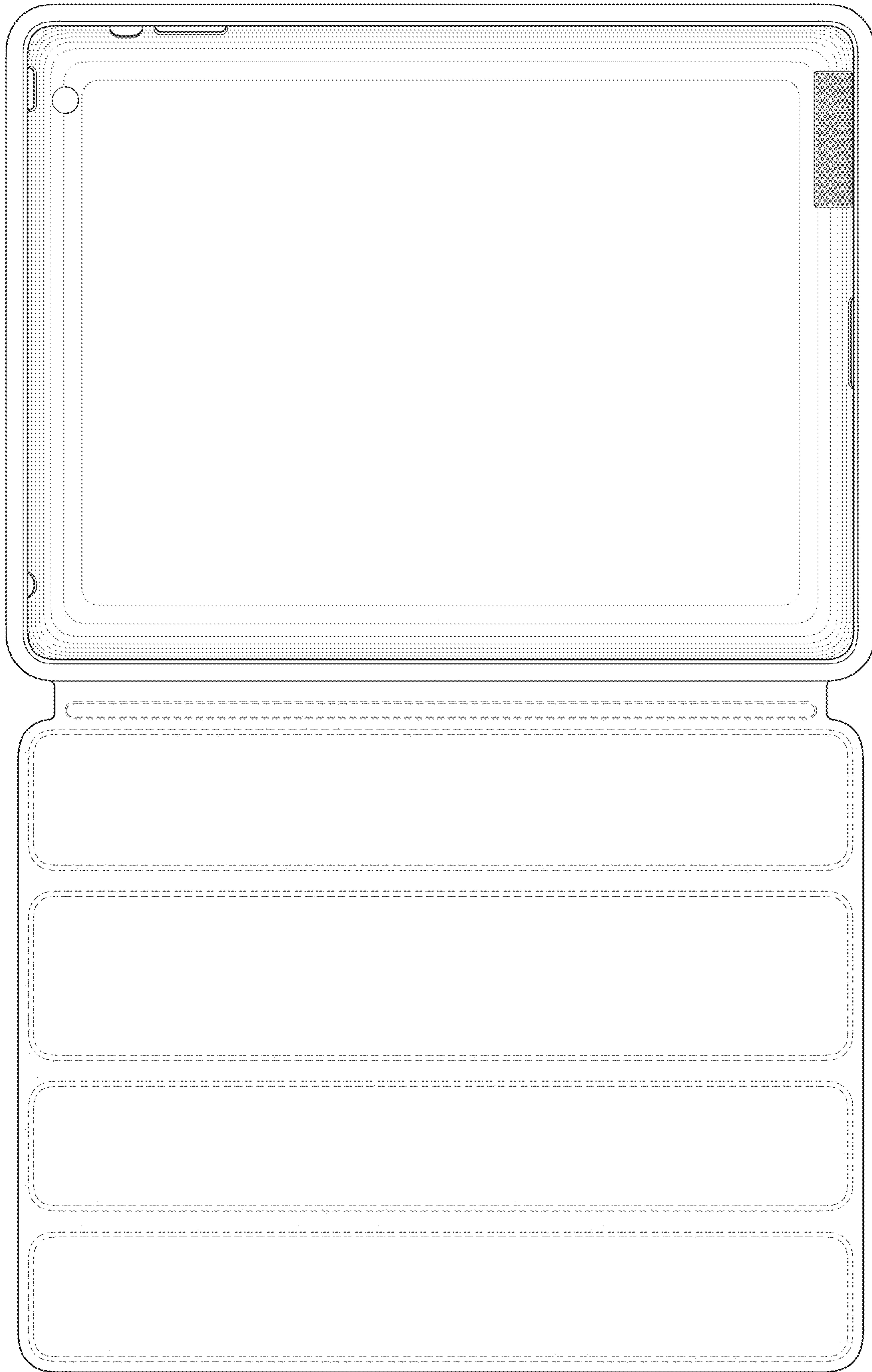


FIG. 3

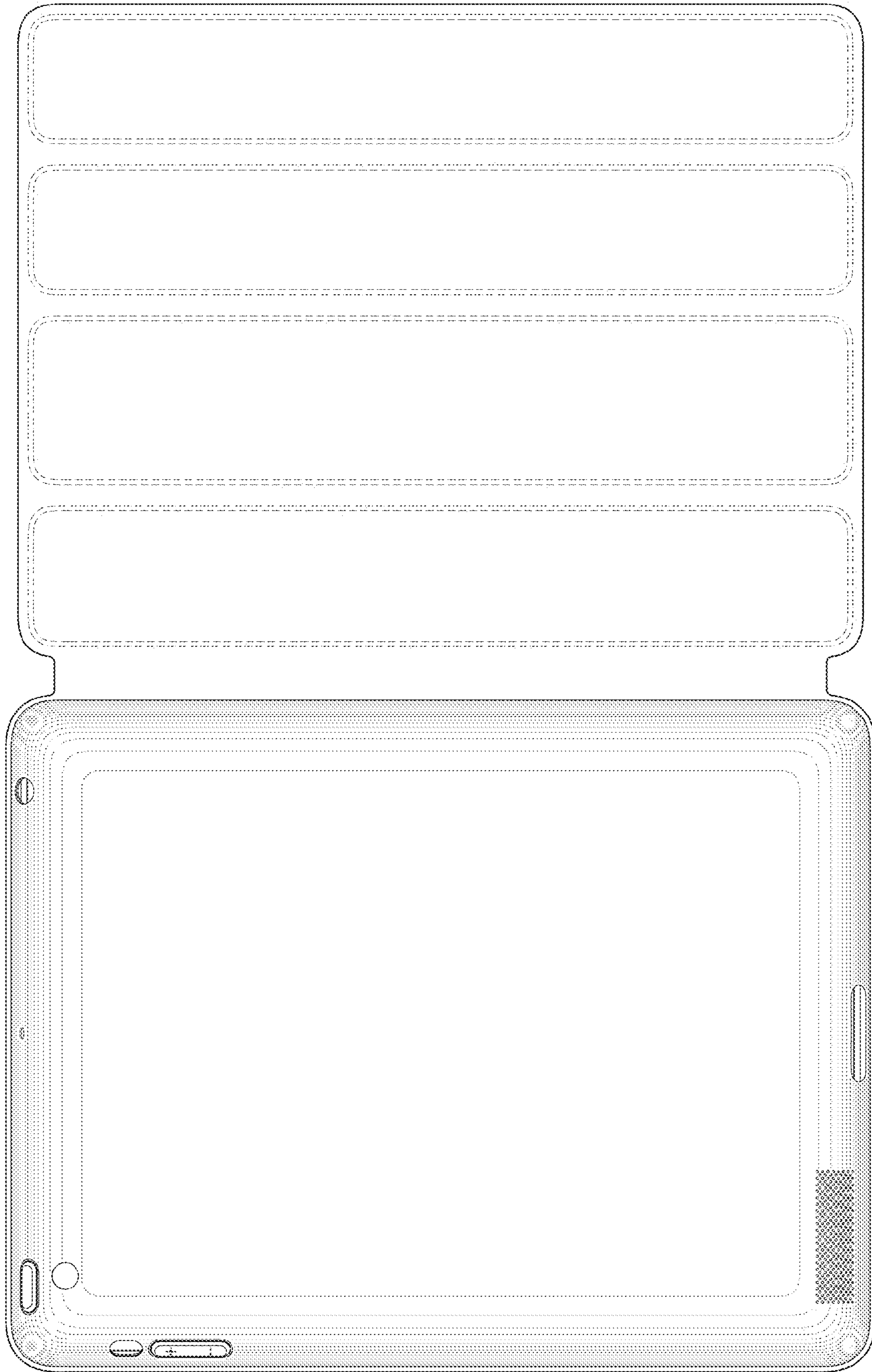


FIG. 4

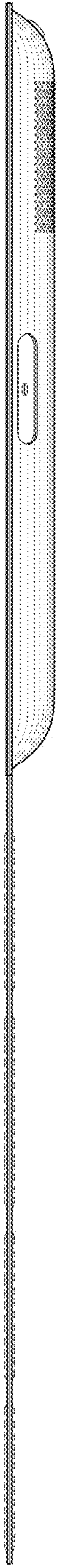


FIG. 5



FIG. 6

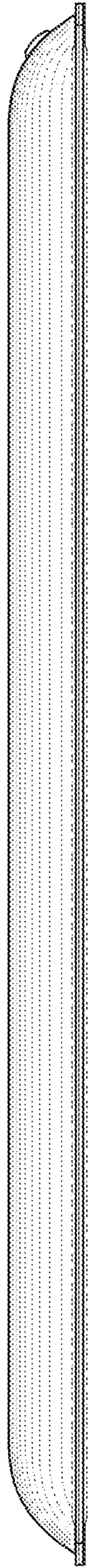


FIG. 7

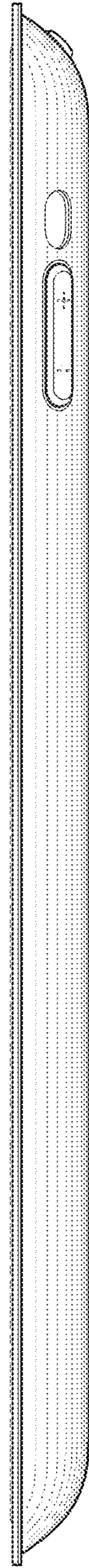


FIG. 8

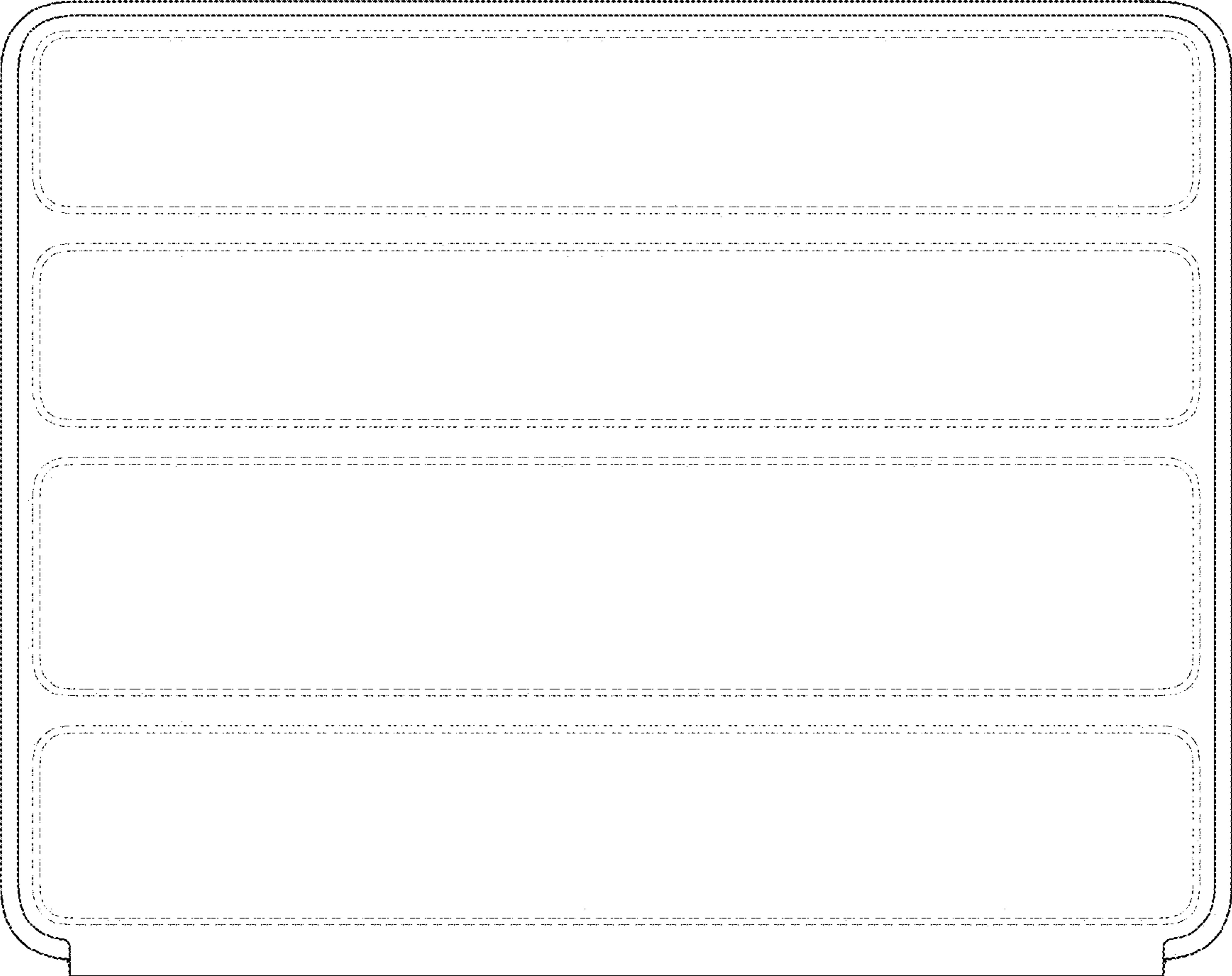


FIG. 9

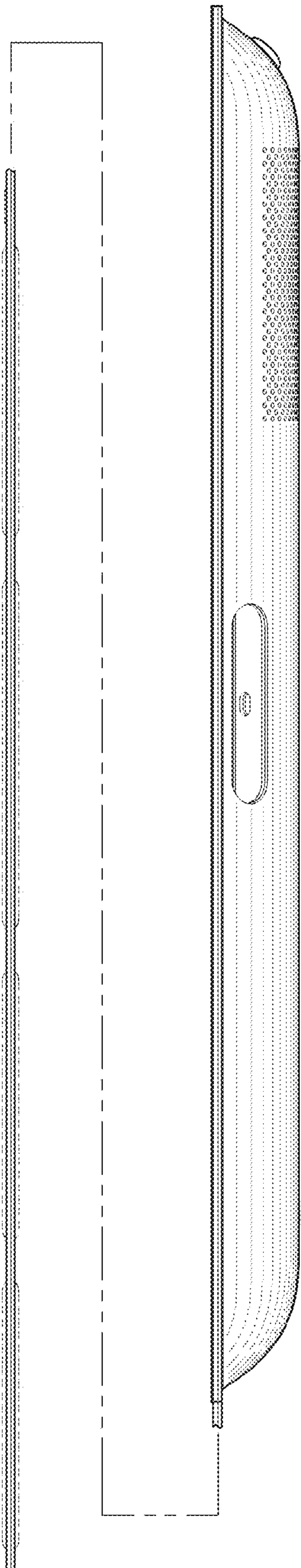


FIG. 10

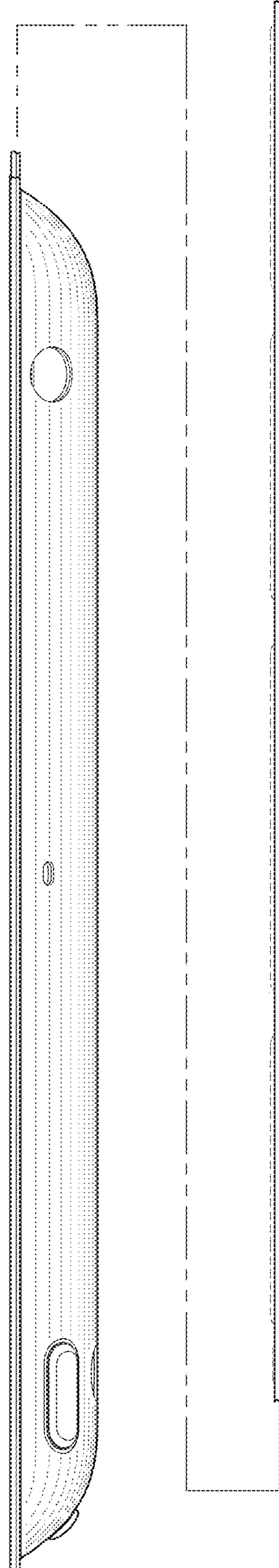


FIG. 11