



US00D978151S

(12) **United States Design Patent**
Kang et al.

(10) **Patent No.:** **US D978,151 S**
(45) **Date of Patent:** **** Feb. 14, 2023**

(54) **COVER FOR ELECTRONIC DEVICE**

(71) Applicant: **SAMSUNG ELECTRONICS CO., LTD.**, Gyeonggi-do (KR)

(72) Inventors: **Namhyun Kang**, Gyeonggi-do (KR); **Sol Lee**, Gyeonggi-do (KR); **Dongkyun Kim**, Gyeonggi-do (KR); **Minah Koh**, Gyeonggi-do (KR); **Hakdo Kim**, Gyeonggi-do (KR); **Mingeun Kim**, Gyeonggi-do (KR)

(73) Assignee: **SAMSUNG ELECTRONICS CO., LTD.**, Gyeonggi-Do (KR)

(**) Term: **15 Years**

(21) Appl. No.: **29/750,584**

(22) Filed: **Sep. 15, 2020**

(30) **Foreign Application Priority Data**

Jul. 2, 2020 (KR) 30-2020-0030275

(51) **LOC (14) Cl.** **14-02**

(52) **U.S. Cl.**
USPC **D14/440**

(58) **Field of Classification Search**
USPC D14/440, 447, 250, 316; 361/679.55; 206/45.23, 320, 45.2; 294/25; 455/575.8; D3/289, 301, 283, 265, 243, D3/249, 294, 284, 274, 303, 266, 203.1, D3/315, 276
CPC ... G06F 1/1628; G06F 1/1626; A47B 23/044; A45C 11/00; A45C 13/02; H04B 1/3888
See application file for complete search history.

(56) **References Cited**

U.S. PATENT DOCUMENTS

7,281,698 B2 * 10/2007 Patterson, Jr. A45C 11/00
248/458
7,735,644 B2 * 6/2010 Sirichai A45C 11/00
206/45.24

D658,187 S * 4/2012 Diebel G06F 1/1628
D14/440
D658,188 S * 4/2012 Diebel D14/440
D663,304 S * 7/2012 Akana D14/440
8,230,992 B2 * 7/2012 Law G06F 1/1626
248/176.1
8,245,843 B1 * 8/2012 Wu H01M 10/465
206/320
8,312,991 B2 * 11/2012 Diebel G06F 1/1628
206/45.24
D671,948 S * 12/2012 Akana D14/440
D672,353 S * 12/2012 Liu D14/440
D672,781 S * 12/2012 Lu D14/440
D678,260 S * 3/2013 Bau D14/132
D679,279 S * 4/2013 Yang D14/440
D679,715 S * 4/2013 Akana D14/440

(Continued)

Primary Examiner — Cynthia R Underwood

(74) *Attorney, Agent, or Firm* — Cantor Colburn LLP

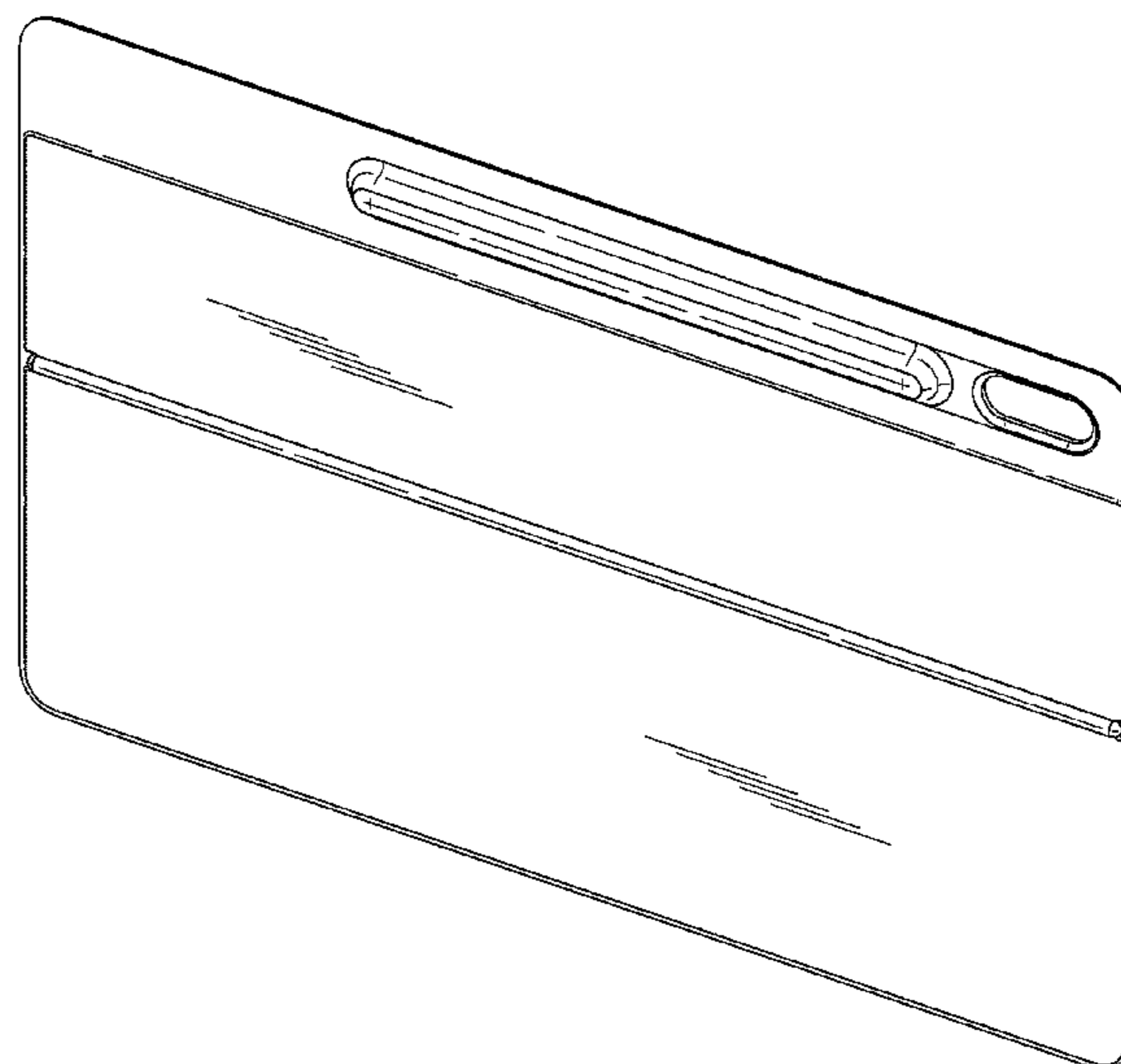
(57) **CLAIM**

The ornamental design for a cover for electronic device, as shown and described.

DESCRIPTION

FIG. 1 is a front perspective view of a cover for electronic device, showing our new design;
FIG. 2 is a front view thereof;
FIG. 3 is a rear view thereof;
FIG. 4 is a left-side view thereof;
FIG. 5 is a right-side view thereof;
FIG. 6 is a top view thereof;
FIG. 7 is a bottom view thereof;
FIG. 8 is a rear perspective view thereof; and,
FIG. 9 is another left-side view thereof as shown in a device environment.
The broken lines in the drawings are for environmental purposes only and form no part of the claimed design.

1 Claim, 7 Drawing Sheets



(56)

References Cited

U.S. PATENT DOCUMENTS

8,424,830 B2 * 4/2013 Yang A47B 23/044
248/459

D681,641 S * 5/2013 Van Den Nieuwenhuizen
D14/440

D682,836 S * 5/2013 Akana D14/440

D682,838 S * 5/2013 Akana D14/440

D687,438 S * 8/2013 Lu D14/440

D690,305 S * 9/2013 Wen D14/440

D690,702 S * 10/2013 Chung D14/440

D691,142 S * 10/2013 Diebel G06F 1/1679
D14/440

D692,434 S * 10/2013 Kim D14/440

D693,823 S * 11/2013 Chen D14/440

D695,296 S * 12/2013 Hsu D14/440

D696,256 S * 12/2013 Piedra D14/440

D696,669 S * 12/2013 Akana D14/440

8,640,864 B2 * 2/2014 Chen G06F 1/1628
206/320

8,657,112 B2 * 2/2014 Igarashi H05K 5/03
206/320

D701,205 S * 3/2014 Akana D14/341

D702,673 S * 4/2014 Murchison D14/250

D704,689 S * 5/2014 Chang D3/218

D706,270 S * 6/2014 Akana D14/440

D706,783 S * 6/2014 Almodova D14/440

D707,229 S * 6/2014 Almodova D14/440

8,757,375 B2 * 6/2014 Huang A47B 23/043
206/45.24

D708,838 S * 7/2014 Lee D14/440

D710,859 S * 8/2014 Mecchella D14/440

8,797,132 B2 * 8/2014 Childs A45C 11/00
206/320

D713,847 S * 9/2014 Su D14/440

D713,848 S * 9/2014 Akana D14/440

9,451,822 B2 * 9/2016 Gu F16M 11/041

D864,972 S * 10/2019 Chen D14/440

D868,071 S * 11/2019 Liu D14/440

D871,415 S * 12/2019 Lin D14/440

D874,466 S * 2/2020 Lei D14/440

D875,735 S * 2/2020 Buechin G06F 1/1671
D14/440

D883,986 S * 5/2020 Akana D14/440

D885,402 S * 5/2020 Lei D14/440

D887,415 S * 6/2020 Claudepierre D14/440

D888,718 S * 6/2020 Xu D14/440

D889,474 S * 7/2020 Akana D14/440

D890,183 S * 7/2020 Zhao D14/440

D892,126 S * 8/2020 Kim D14/440

D896,233 S * 9/2020 Chen D14/440

D898,746 S * 10/2020 Buechin A45C 11/00
D14/440

D904,413 S * 12/2020 Feng D14/440

D907,044 S * 1/2021 Cheng D14/440

D907,046 S * 1/2021 Kao D14/440

D907,047 S * 1/2021 Kao D14/440

D909,391 S * 2/2021 Cheng D14/440

D910,026 S * 2/2021 Li D14/440

D910,642 S * 2/2021 Li D14/440

D910,643 S * 2/2021 Li D14/440

D912,059 S * 3/2021 Zhao D14/440

D912,060 S * 3/2021 Zhu D14/440

D912,063 S * 3/2021 Yan D14/440

D913,293 S * 3/2021 Feng D14/440

D920,335 S * 5/2021 Akana D14/440

D921,637 S * 6/2021 Cheng D14/440

D922,390 S * 6/2021 Cheng D14/440

D922,391 S * 6/2021 Cheng D14/440

D923,011 S * 6/2021 Cheng D14/440

D924,244 S * 7/2021 Akana D14/440

D924,880 S * 7/2021 Akana D14/440

D928,788 S * 8/2021 Kang D14/440

D941,824 S * 1/2022 Kim D14/440

2003/0034263 A1 * 2/2003 D'Hoste A45C 9/00
206/320

2008/0302687 A1 * 12/2008 Sirichai A45C 11/00
206/320

2009/0159763 A1 * 6/2009 Kim A47B 23/044
248/176.1

2011/0266194 A1 * 11/2011 Bau H04B 1/3888
206/736

2011/0290687 A1 * 12/2011 Han A45C 13/002
206/320

2012/0211377 A1 * 8/2012 Sajid G06F 1/1628
206/216

2012/0211613 A1 * 8/2012 Yang A45C 13/34
248/174

2012/0308981 A1 * 12/2012 Libin G09B 7/00
434/362

2013/0015088 A1 * 1/2013 Wu A45C 11/00
206/320

2013/0020216 A1 * 1/2013 Chiou G06F 1/1626
206/320

2013/0140203 A1 * 6/2013 Chiang G06F 1/1628
206/320

2013/0213838 A1 * 8/2013 Tsai G06F 1/1633
206/320

2013/0214661 A1 * 8/2013 McBroom G06F 1/166
312/325

2013/0241381 A1 * 9/2013 Hyneczek H05K 5/03
312/240

2013/0264459 A1 * 10/2013 McCosh F16M 11/105
248/688

* cited by examiner

FIG.1

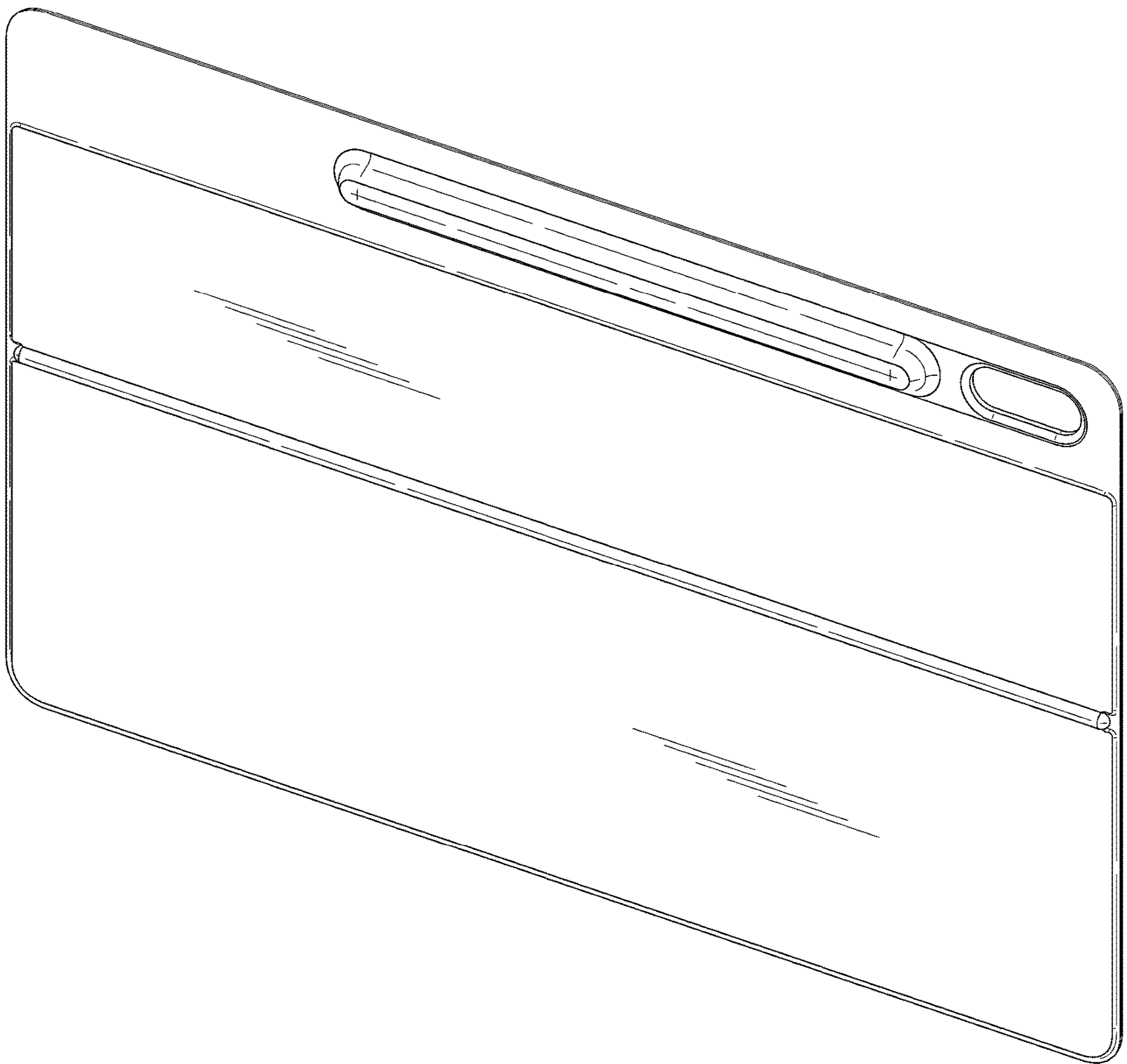


FIG.2

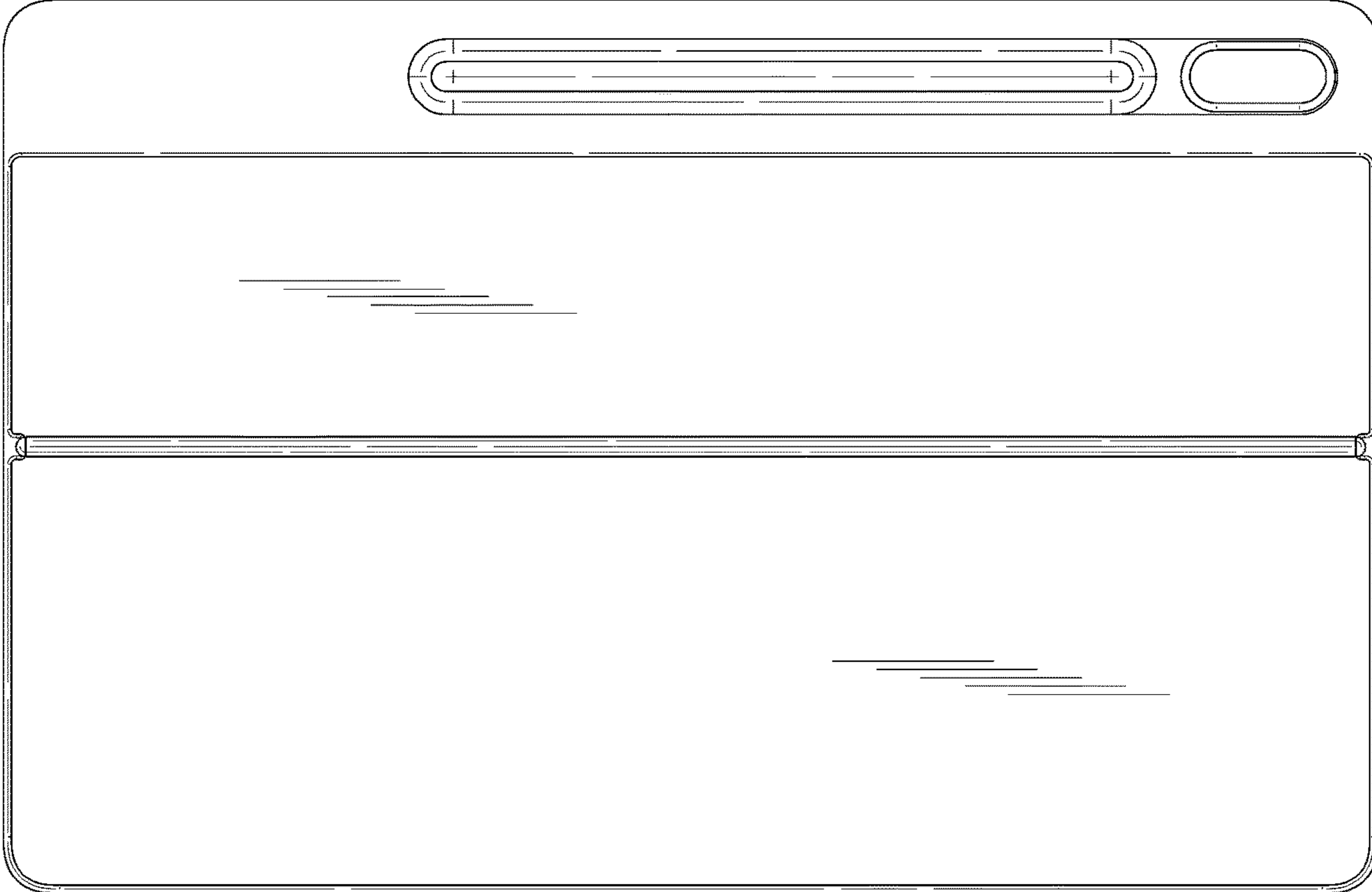


FIG.3



FIG.4



FIG.5



FIG.6

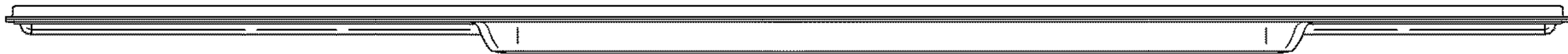


FIG.7



FIG.8

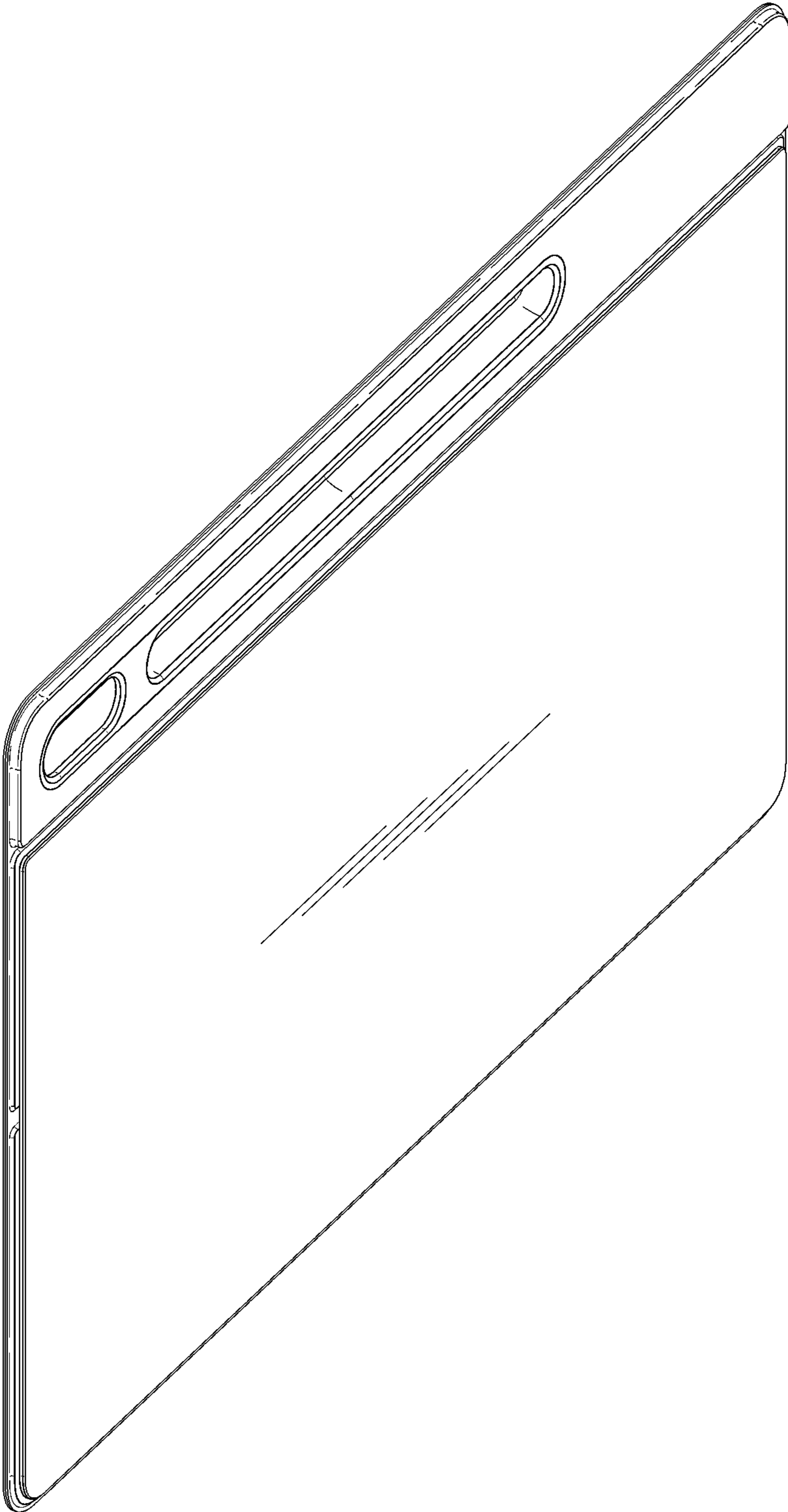


FIG.9

