



US00D978150S

(12) **United States Design Patent** (10) **Patent No.:** **US D978,150 S**  
**Tao** (45) **Date of Patent:** **\*\* Feb. 14, 2023**

(54) **MULTI-FUNCTION PHONE DOCKING STATION**

(71) Applicant: **Ping Tao**, Jiujiang (CN)

(72) Inventor: **Ping Tao**, Jiujiang (CN)

(\*\*) Term: **15 Years**

(21) Appl. No.: **29/823,322**

(22) Filed: **Jan. 17, 2022**

(51) **LOC (14) Cl.** ..... **14-02**

(52) **U.S. Cl.**  
USPC ..... **D14/434**; D13/108

(58) **Field of Classification Search**  
USPC ..... D14/240, 242, 356, 357, 358, 378, 383, D14/384, 386, 433, 434, 435.1, 480.1, D14/480.3, 480.4, 480.5, 480.6, 480.7, D14/253; D13/103, 107, 108, 110, 146, D13/139.6–139.8, 148, 184; D18/12, D18/12.1, 12.3  
CPC .... H01R 27/02; H01R 25/003; H01R 25/006; H01R 31/005; H01R 13/60; H01R 13/6658; H01R 13/72; G06F 1/1607; G06F 1/1632; G06F 1/1684; G06F 1/266; G06F 11/325; G06F 13/00; G06F 13/12; G06F 13/14; G06F 13/20; G06F 13/382; G06F 13/4002; G06F 9/4413

See application file for complete search history.

(56) **References Cited**

**U.S. PATENT DOCUMENTS**

D319,061 S *	8/1991	Powell	.....	D14/240
D671,935 S	12/2012	Mao		
D712,369 S *	9/2014	Yoshida	.....	D14/142
D788,761 S	6/2017	Tompkin		
D826,851 S *	8/2018	Wang	.....	D13/108
D840,997 S *	2/2019	Chen	.....	D14/253
D852,134 S *	6/2019	Mei	.....	D13/108

D873,830 S *	1/2020	Cheng	.....	D14/434
D875,043 S *	2/2020	Yi	.....	D13/108
D875,679 S *	2/2020	Yi	.....	D13/108
D892,046 S *	8/2020	Peng	.....	D13/108
D905,042 S *	12/2020	Lim	.....	D14/434
D926,685 S *	8/2021	Fan	.....	D13/108
D931,208 S *	9/2021	Liao	.....	D14/252
D938,411 S *	12/2021	Yaremchuk	.....	D14/253
D945,191 S *	3/2022	Teng	.....	D14/252
2016/0261139 A1 *	9/2016	Kidakarn	.....	H02J 7/0044
2022/0113762 A1 *	4/2022	Campbell	.....	G06F 1/1601

**OTHER PUBLICATIONS**

Wood Docking Station, Multi Device Charging Station, first available Jun. 29, 2019, etsy.com, [online], [site visited Jul. 26, 2022], Available from internet URL: <https://www.etsy.com/listing/692544498/wood-docking-station-multi-device?> (Year: 2019).\*

(Continued)

*Primary Examiner* — Samantha Q Lawrence

*Assistant Examiner* — Holly M Rodriguez

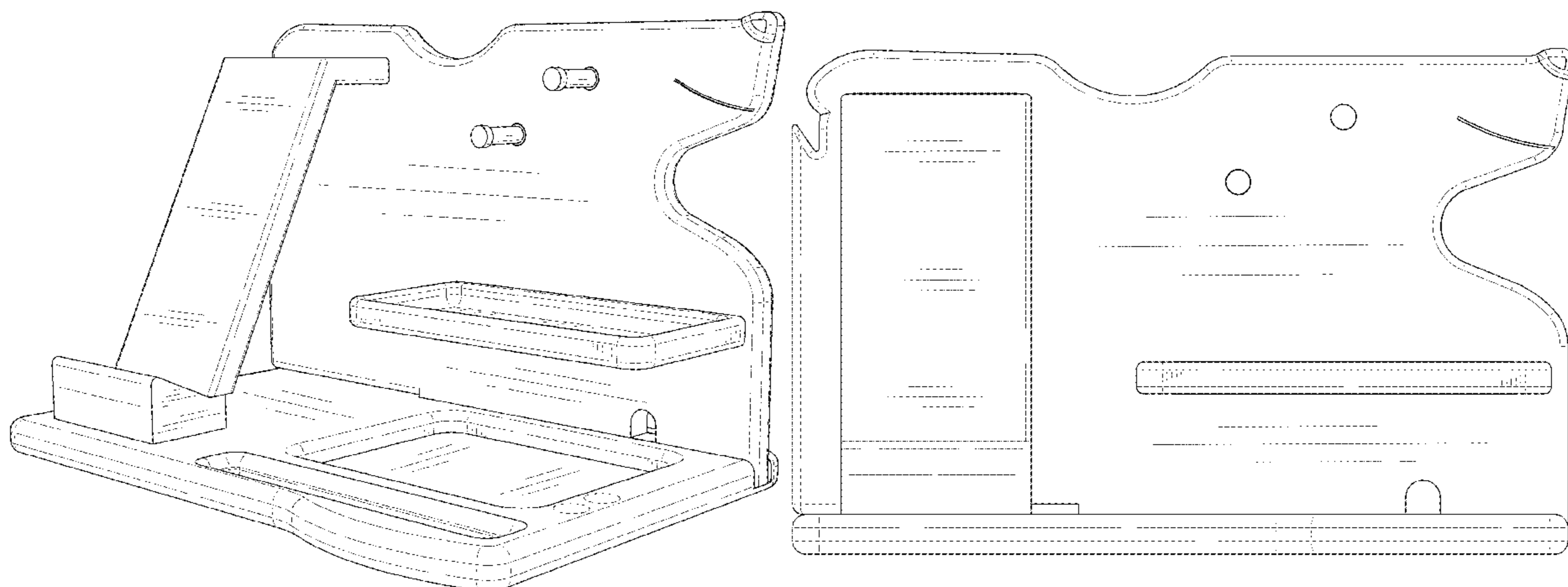
(57) **CLAIM**

The ornamental design for a multi-function phone docking station, as shown and described.

**DESCRIPTION**

FIG. 1 is a perspective view of a multi-function phone docking station showing my new design; FIG. 2 is a front elevational view thereof; FIG. 3 is a rear elevational view thereof; FIG. 4 is a left side elevational view thereof; FIG. 5 is a right side elevational view thereof; FIG. 6 is a top plan view thereof; and, FIG. 7 is a bottom plan view thereof. The broken lines in the drawings depict portions of the multi-function phone docking station that form no part of the claimed design.

**1 Claim, 7 Drawing Sheets**



(56)

**References Cited**

OTHER PUBLICATIONS

Wooden Docking Station Men and Nightstand Organizer for Men, first available Feb. 19, 2022, etsy.com, [online], [site visited Jul. 26, 2022], Available from internet URL: <https://www.etsy.com/listing/1135072297/wooden-docking-station-men-and?> (Year: 2022).\*

Personalized Docking Station, etsy.com, [online], [site visited 027/26/2022], Available from internet URL: <https://www.etsy.com/listing/1076836290/personalized-docking-stationorganizer?> (Year: 2022).\*

\* cited by examiner

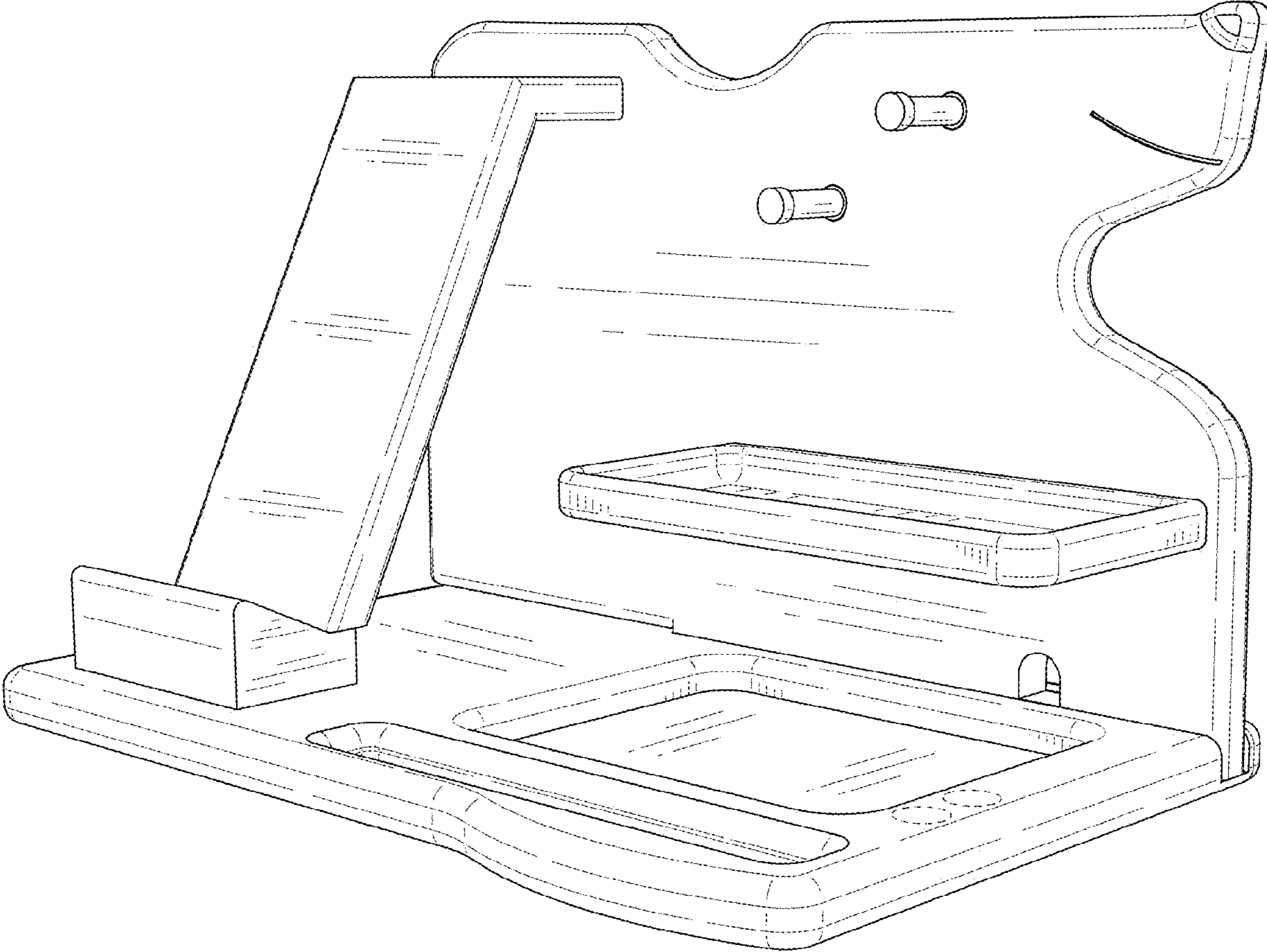


FIG. 1

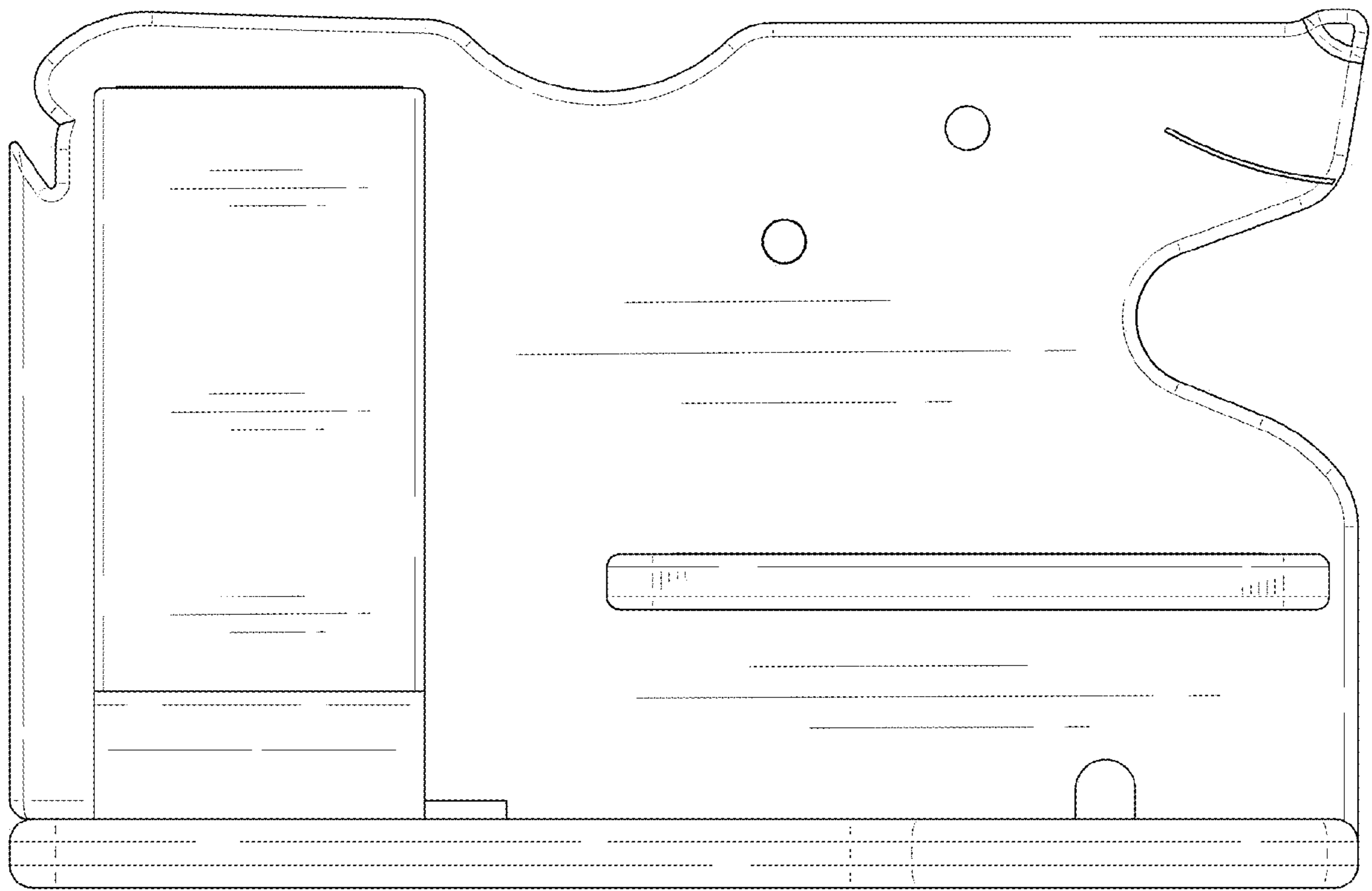


FIG. 2

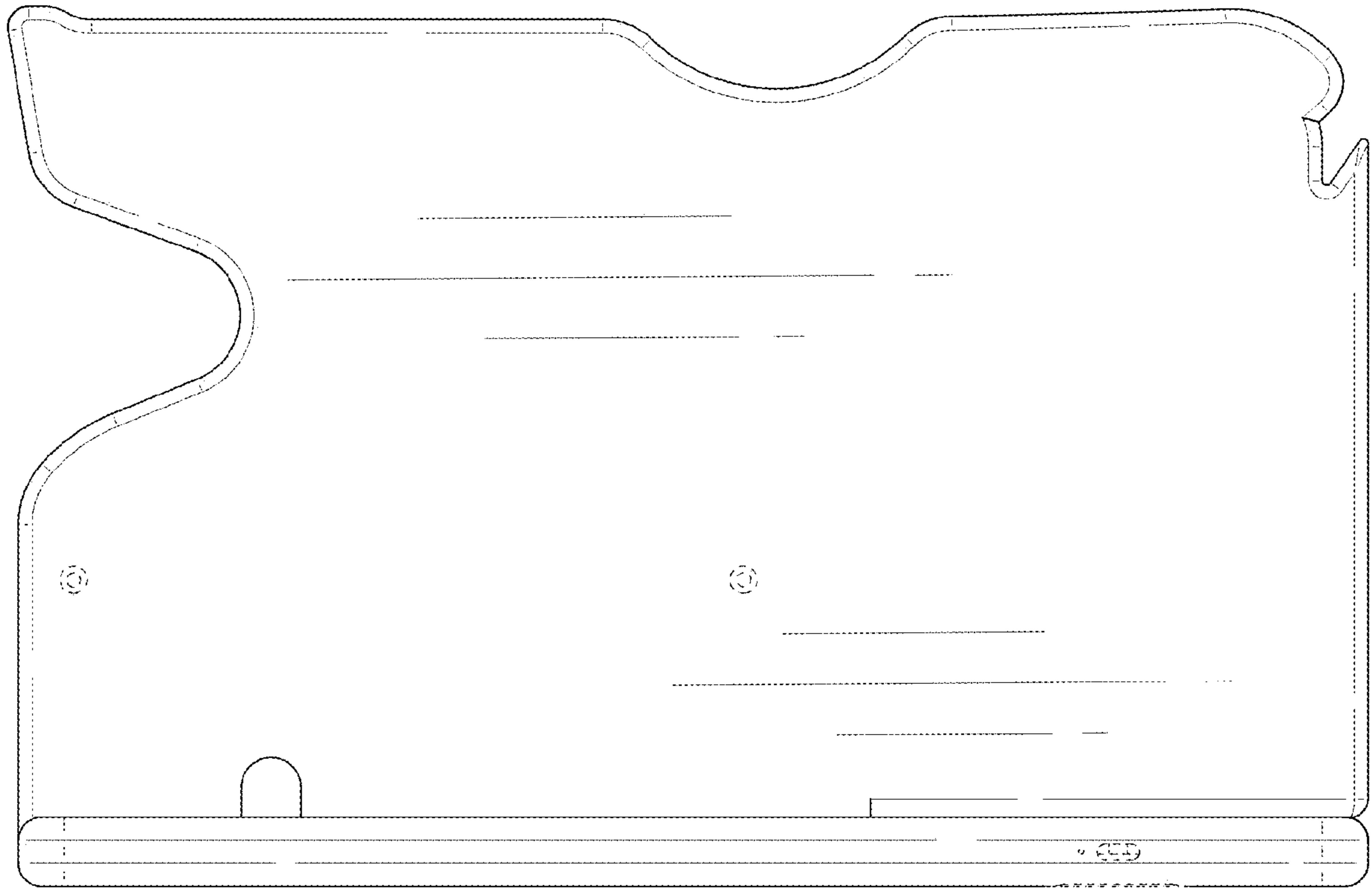


FIG. 3

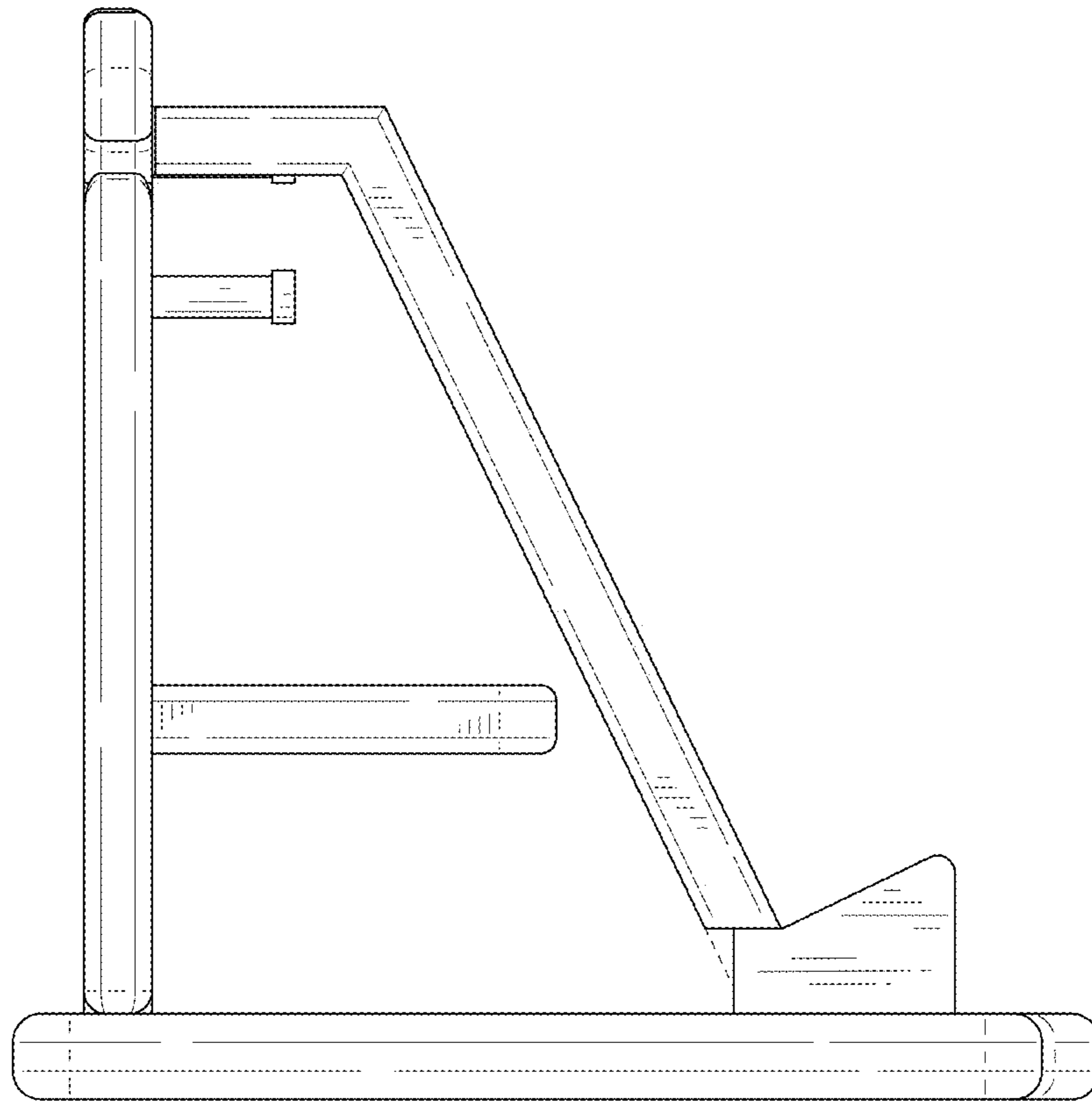


FIG. 4

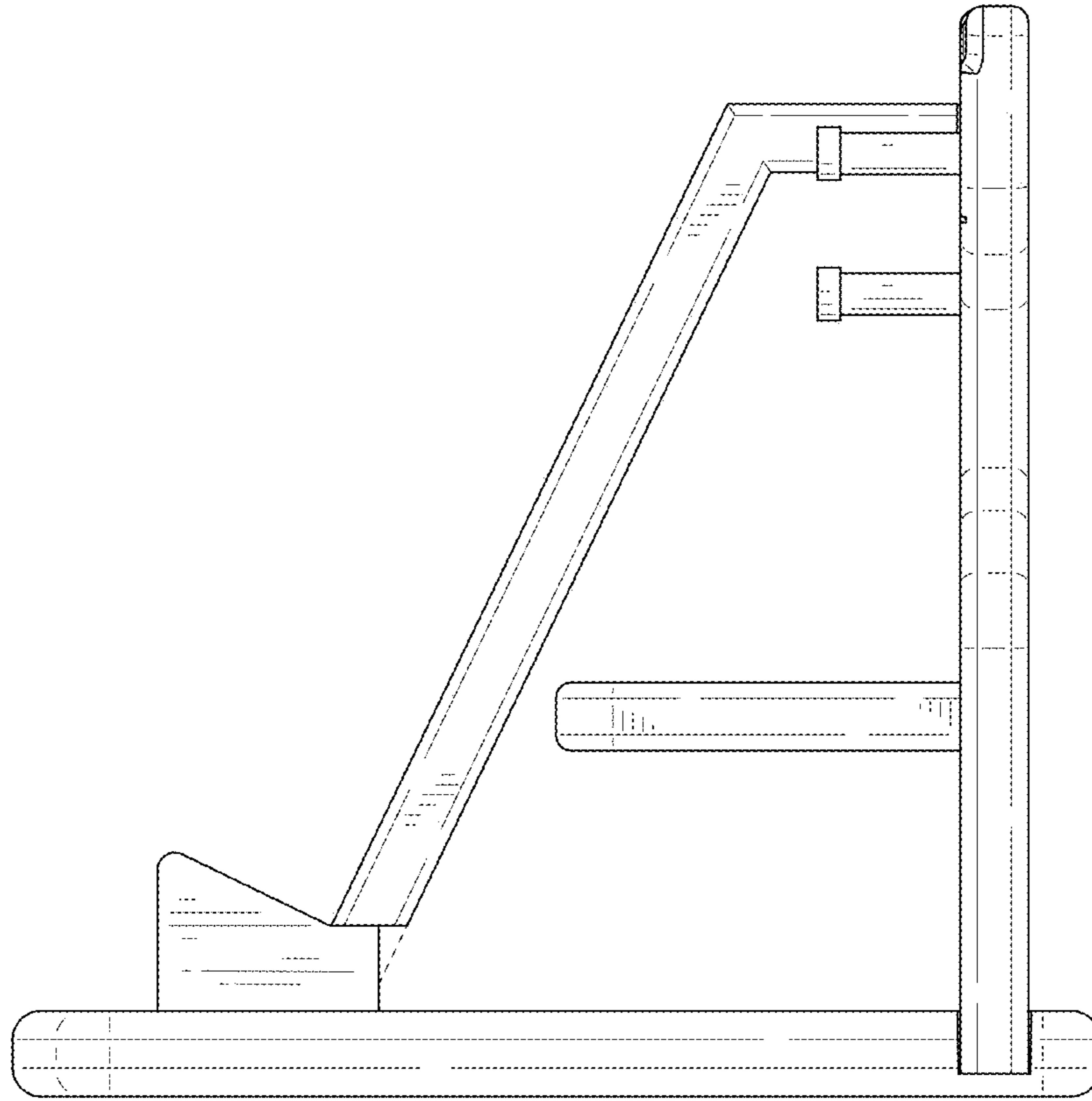


FIG. 5

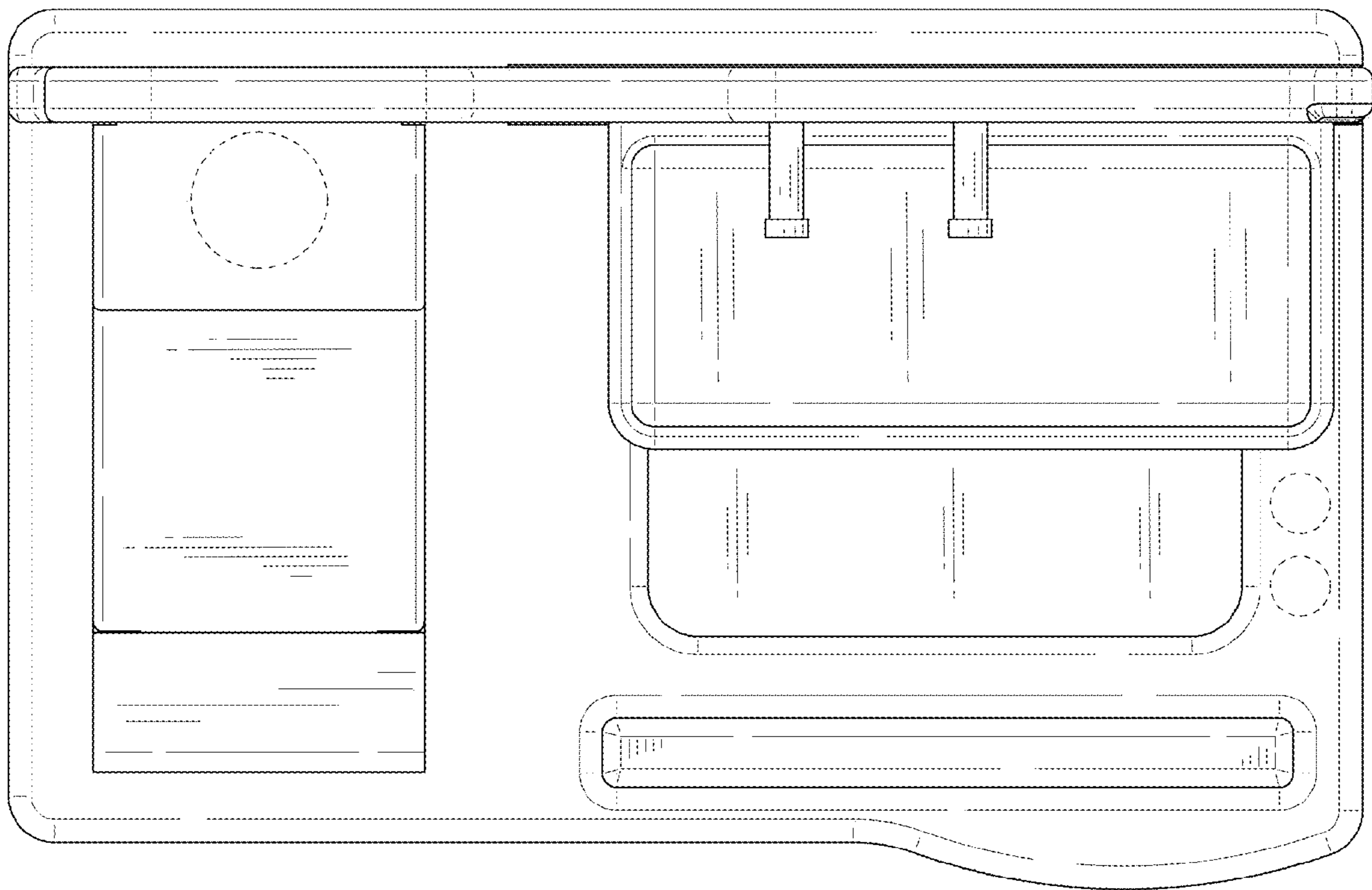


FIG. 6



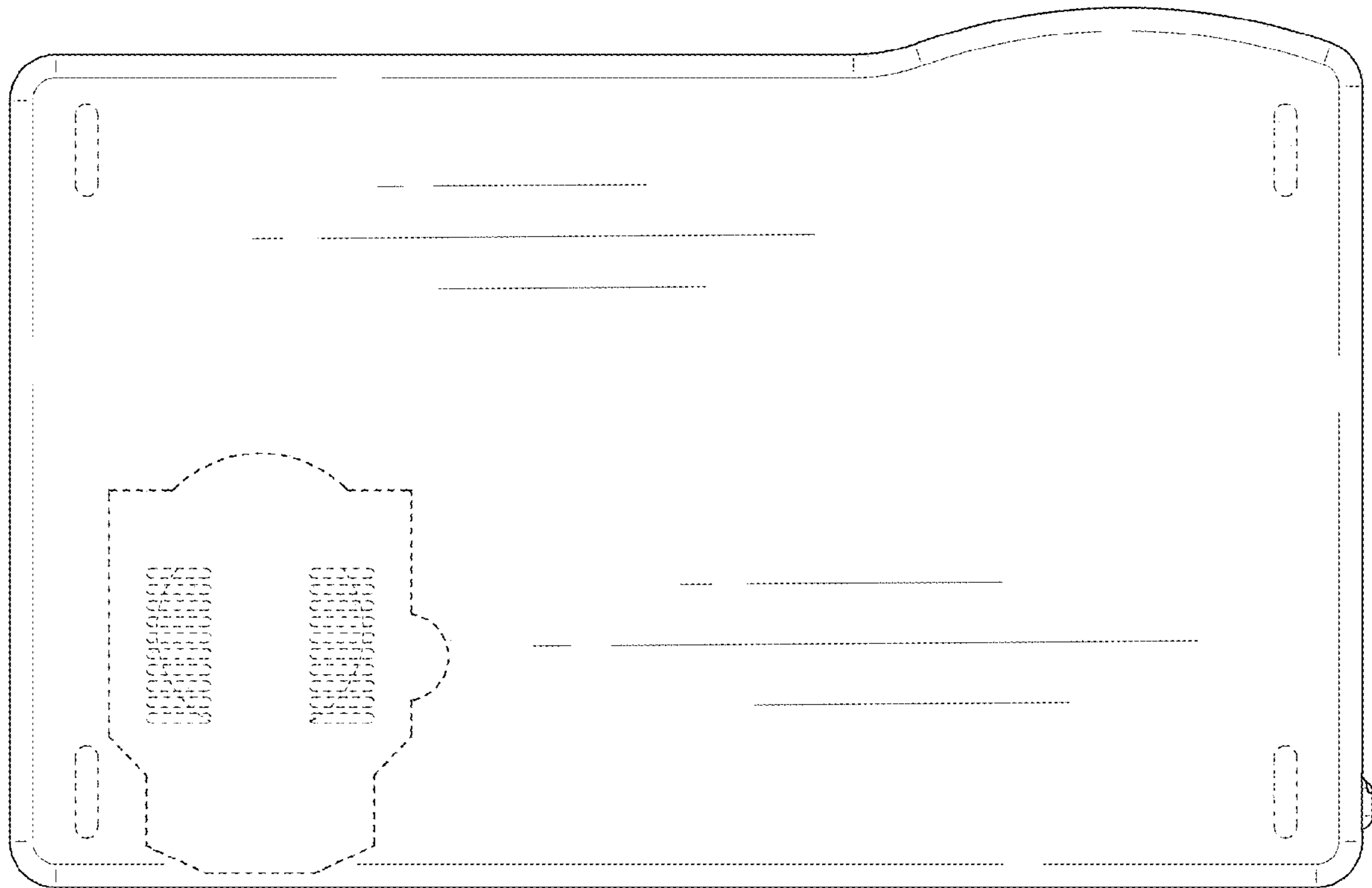


FIG. 7