



US00D978149S

(12) **United States Design Patent** (10) **Patent No.:** **US D978,149 S**
Tong (45) **Date of Patent:** **** Feb. 14, 2023**

(54) **KEYBOARD**

(71) Applicant: **Razer (Asia-Pacific) Pte. Ltd.**,
Singapore (SG)

(72) Inventor: **Ien Yu Tong**, Singapore (SG)

(73) Assignee: **Razer (Asia-Pacific) Pte. Ltd.**,
Singapore (SG)

(**) Term: **15 Years**

(21) Appl. No.: **29/803,225**

(22) Filed: **Aug. 11, 2021**

Related U.S. Application Data

(62) Division of application No. 29/676,851, filed on Jan. 15, 2019.

(51) **LOC (14) Cl.** **14-02**

(52) **U.S. Cl.**
USPC **D14/392**

(58) **Field of Classification Search**
USPC D14/247, 315–327, 331–333, 338,
D14/345–347, 387, 390–401, 406, 429,
(Continued)

(56) **References Cited**

U.S. PATENT DOCUMENTS

D314,205 S 1/1991 Lang et al.
D364,290 S * 11/1995 Watts D6/675
(Continued)

FOREIGN PATENT DOCUMENTS

CN 303032334 12/2014
CN 303520483 12/2015
(Continued)

OTHER PUBLICATIONS

BlackWidow V3 Tenkeyless & Ergonomic Wrist Rest Keyboard,
Razer, razer.com, author unlisted, published on Oct. 15, 2021 per

wayback machine © 2021 Razer, Inc., online, site visited Nov. 23, 2021. Available at URL: <https://www.razer.com/gaming/keyboards/accessories/razer-ergonomic-wrist-rest-pro> (Year: 2021).*

(Continued)

Primary Examiner — Holly E Thurman

Assistant Examiner — Altaira J Swangin

(74) *Attorney, Agent, or Firm* — Polsinelli PC

(57) **CLAIM**

I claim the ornamental design for a keyboard, as shown and described.

DESCRIPTION

FIG. 1 is a perspective view of a first embodiment of a keyboard;

FIG. 2 is a front elevational view thereof;

FIG. 3 is a rear elevational view thereof;

FIG. 4 is a right side elevational view thereof;

FIG. 5 is a left side elevational view thereof;

FIG. 6 is a top plan view thereof;

FIG. 7 is a bottom plan view thereof;

FIG. 8 is a perspective view thereof, showing the integrated mouse pad in a partially retracted position; and,

FIG. 9 is a perspective view thereof, showing the integrated mouse pad in a fully retracted position.

FIG. 10 is a perspective environmental view of a second embodiment of a keyboard illustrating an example where a mouse is shown on the mouse pad, but disclaimed;

FIG. 11 is a front elevational view thereof;

FIG. 12 is a rear elevational view thereof;

FIG. 13 is a right side elevational view thereof;

FIG. 14 is a left side elevational view thereof;

FIG. 15 is a top plan view thereof;

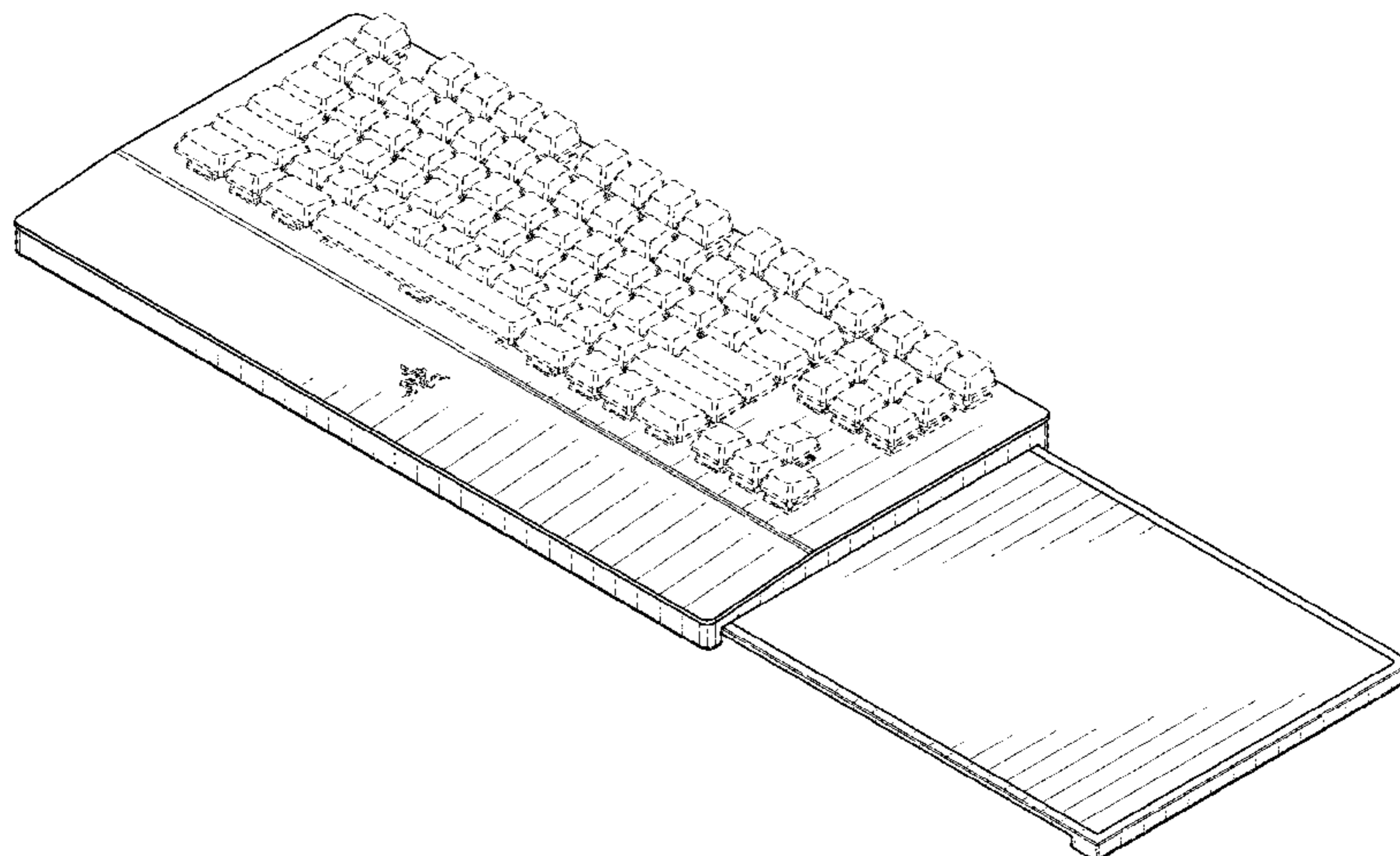
FIG. 16 is a bottom plan view thereof;

FIG. 17 is a perspective view thereof, showing the integrated mouse pad in a partially retracted position; and,

FIG. 18 is a perspective view thereof, showing the integrated mouse pad in a fully retracted position.

Broken lines are for illustrating portions of the keyboard which form no part of the claimed design.

1 Claim, 12 Drawing Sheets



(58) **Field of Classification Search**
 USPC D14/455-457, 460-461; D18/1-2,
 D18/4.1-4.6, 7, 11, 12.2, 52; D21/324,
 D21/409; D13/102
 CPC B41J 5/00; B41J 5/10; B41J 5/12; G06F
 3/021; G06F 3/0216; G06F 3/0219; G06F
 3/02

See application file for complete search history.

2009/0115732 A1 5/2009 Tao et al.
 2010/0127143 A1 5/2010 Karmazyn
 2015/0029404 A1 1/2015 Lin et al.
 2015/0253815 A1 9/2015 Hosoya et al.
 2018/0132365 A1 5/2018 Vroom et al.
 2019/0227645 A1 7/2019 Grey
 2020/0348763 A1 11/2020 Jian et al.
 2022/0300090 A1* 9/2022 Lin G06F 3/02

(56) **References Cited**

U.S. PATENT DOCUMENTS

D380,462 S 7/1997 Wilson
 5,655,743 A * 8/1997 Gillis G06F 3/0395
 248/346.01
 D392,955 S * 3/1998 Wilson D14/457
 D398,294 S 9/1998 Wilson
 5,901,934 A * 5/1999 Wilson G06F 3/0395
 248/346.01
 6,003,446 A * 12/1999 Leibowitz A47B 23/002
 108/43
 D423,482 S 4/2000 Eddins
 D427,165 S * 6/2000 Knoblauch D14/457
 6,234,085 B1 * 5/2001 Ramundo A47B 23/002
 108/143
 D451,100 S * 11/2001 Brillhart D14/457
 D457,888 S * 5/2002 Knoblauch D14/455
 6,396,483 B1 * 5/2002 Hiller G06F 3/021
 345/168
 D579,450 S * 10/2008 Ozolins D14/391
 D630,452 S * 1/2011 Robbins D6/406.3
 D695,740 S 12/2013 Yakel et al.
 D720,749 S 1/2015 He
 D740,824 S 10/2015 Zou et al.
 D748,633 S 2/2016 Yang et al.
 D758,377 S * 6/2016 Warren D14/455
 D760,227 S 6/2016 Warren et al.
 D778,281 S 2/2017 Rodrigues
 D807,885 S 1/2018 Pang et al.
 D811,399 S 2/2018 Ca
 D830,360 S 10/2018 Jin et al.
 D836,636 S * 12/2018 Hu D14/392
 2008/0252605 A1 10/2008 Muyskens et al.
 2009/0002320 A1 1/2009 Karmazyn

FOREIGN PATENT DOCUMENTS

CN 304737200 7/2018
 CN 305427165 11/2019
 CN 305433661 11/2019
 CN 305973319 * 8/2020
 CN 306824814 * 9/2021
 GB 6121980 * 3/2021
 GB 6122000 * 3/2021
 KR 300621669.0000 11/2011
 KR 300660579.0000 9/2012

OTHER PUBLICATIONS

Turret Wireless Mechanical Gaming Keyboard, Razer, amazon.com, published by Razer, first available on Jun. 19, 2019 © 1996-2021 Amazon.com, Inc., online, site visited Nov. 23, 2021. Available at URL: <https://www.amazon.com/Razer-Turret-Wireless-Mechanical-Keyboard/dp/B07QXLC24V> (Year: 2019).*

Lapdog Gaming Control Center, Corsair, techspot.com, published by Steven Walton on May 25, 2016 © 2021 TechSpot, Inc., online, site visited Nov. 23, 2021. Available at URL: <https://www.techspot.com/review/1178-corsair-lapdog/> (Year: 2016).*

Ergonomic Tray, AFC Industries, afcindustries.com, published by AFC on Oct. 6, 2014 per wayback machine © afcindustries.com, online, site visited Sep. 1, 2021. Available at URL: <https://www.afcindustries.com/stylish-keyboard-tray-with-retractable-mouse-tray-p86> (Year: 2014).

Turret for Xbox One Keyboard, Razer, razen.com, author unlisted, published on Aug. 4, 2020 per wayback machine © 2021 Razer, Inc., online, site visited May 7, 2021. Available at URL: <https://www.razer.com/gaming-keyboards/Razer-Turret-for-Xbox-One/RZ84-02820200-B3U1> (Year: 2020).

* cited by examiner

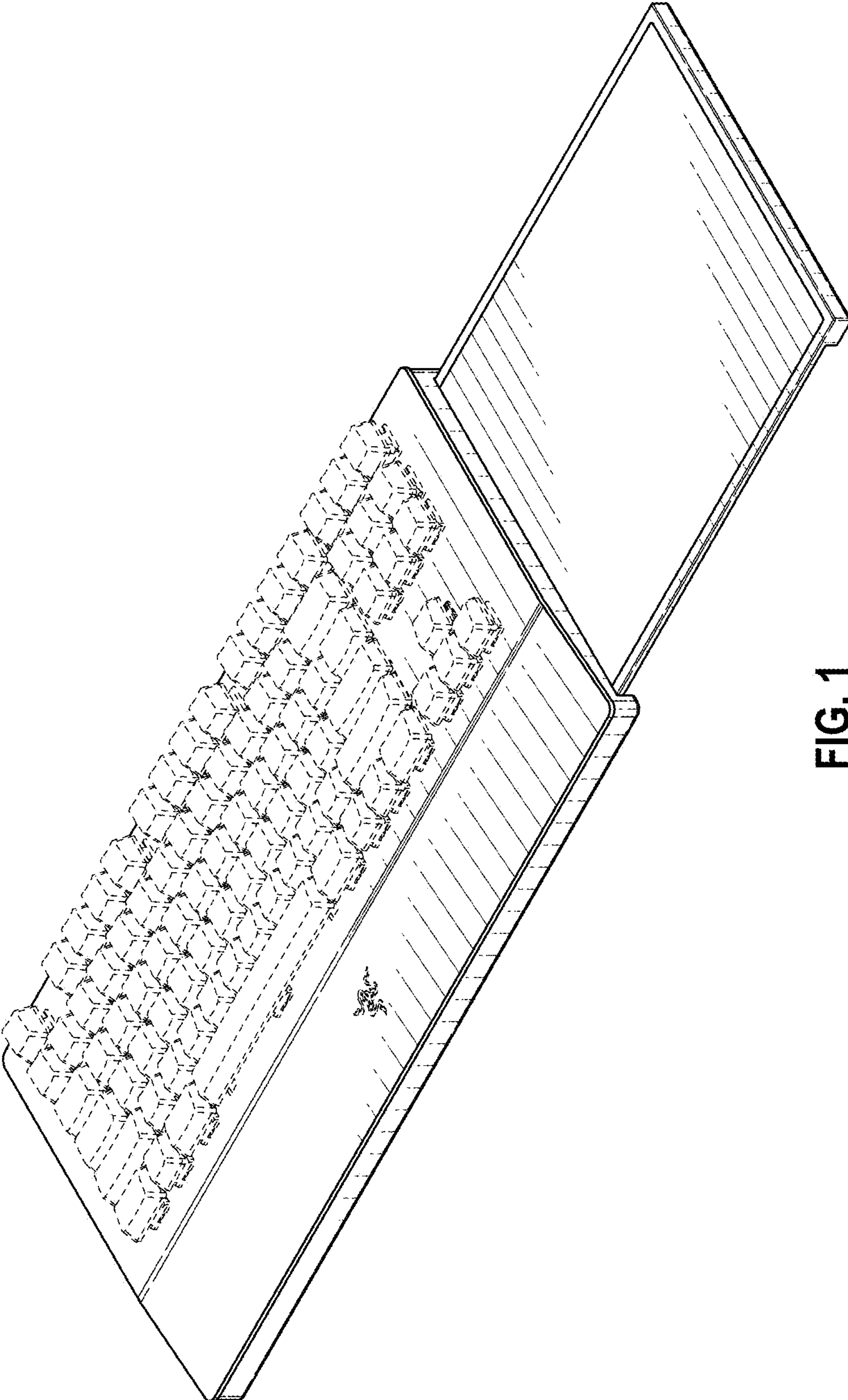


FIG. 1

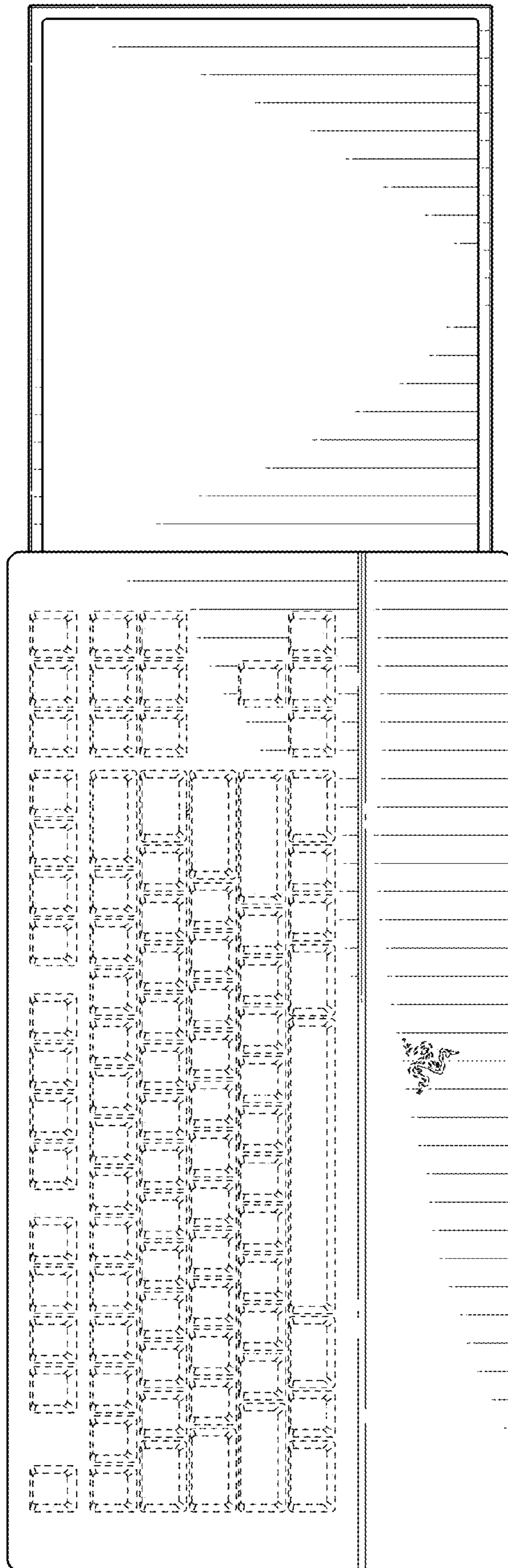


FIG. 2

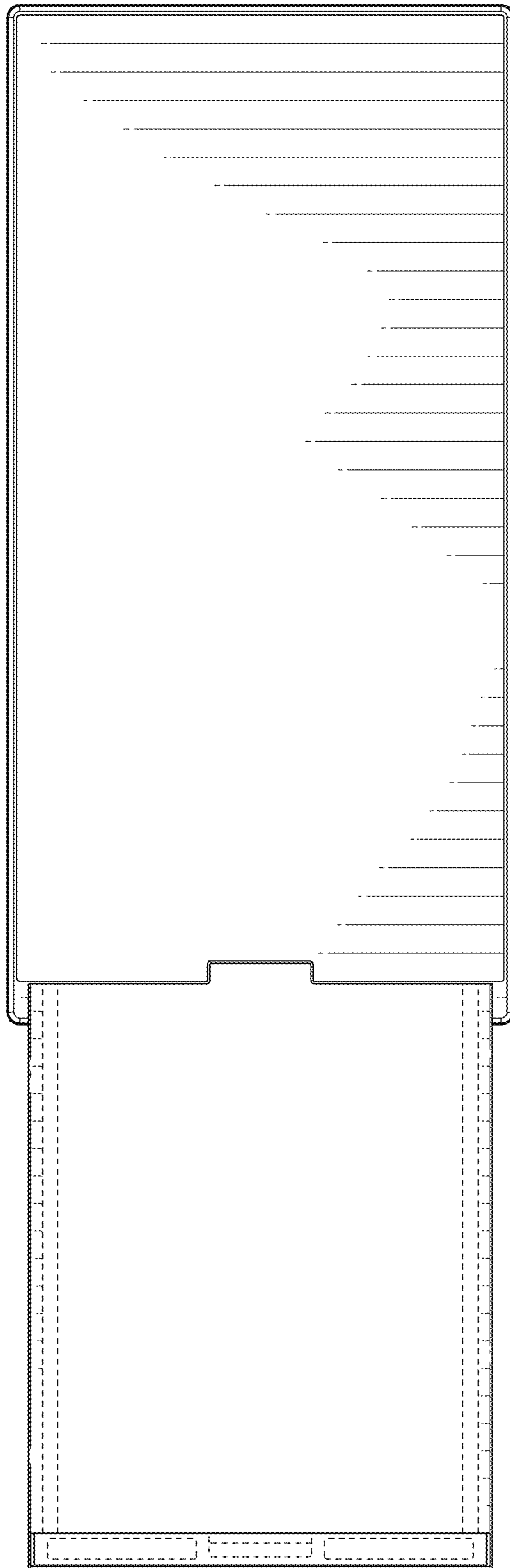


FIG. 3

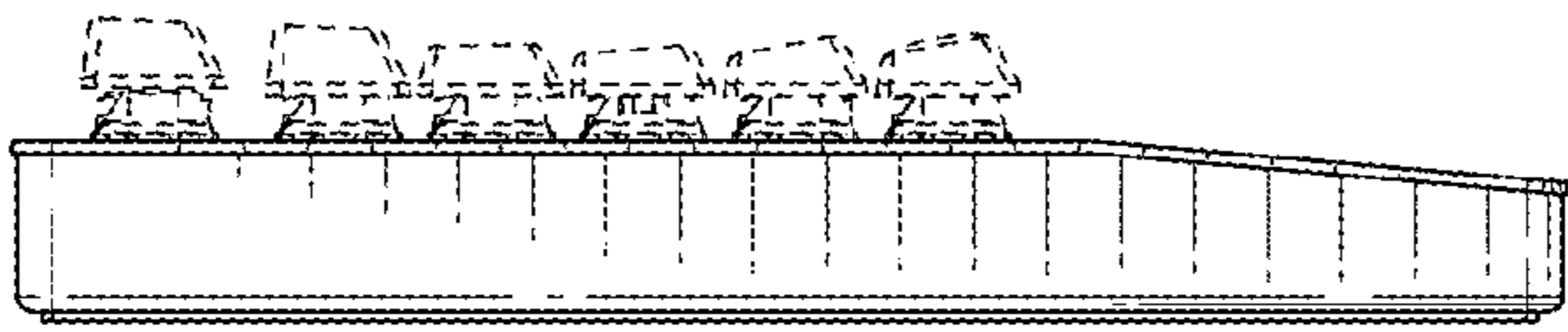


FIG. 4

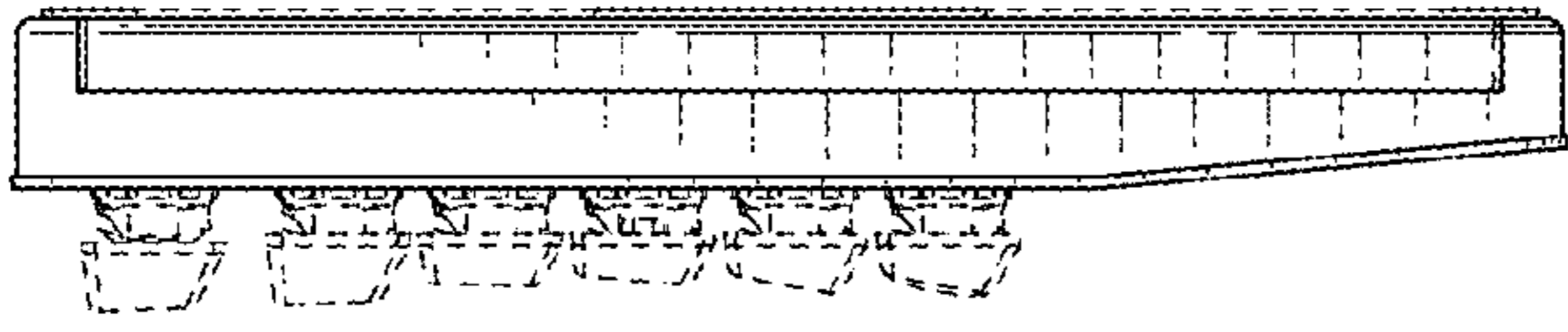


FIG. 5

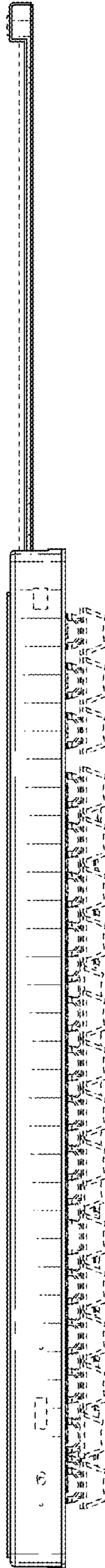


FIG. 6

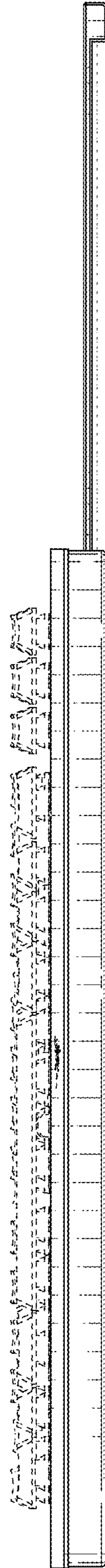


FIG. 7

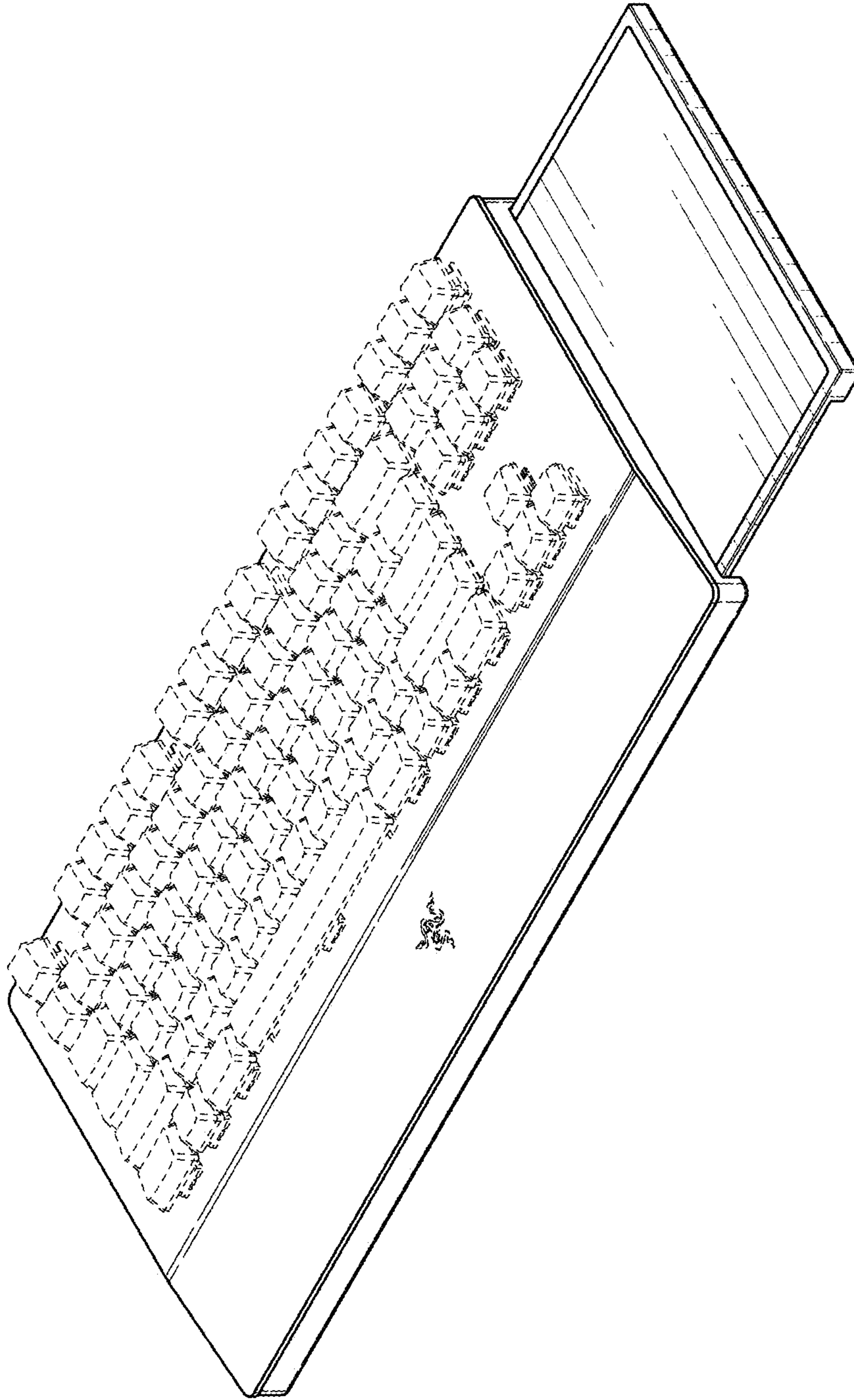


FIG. 8

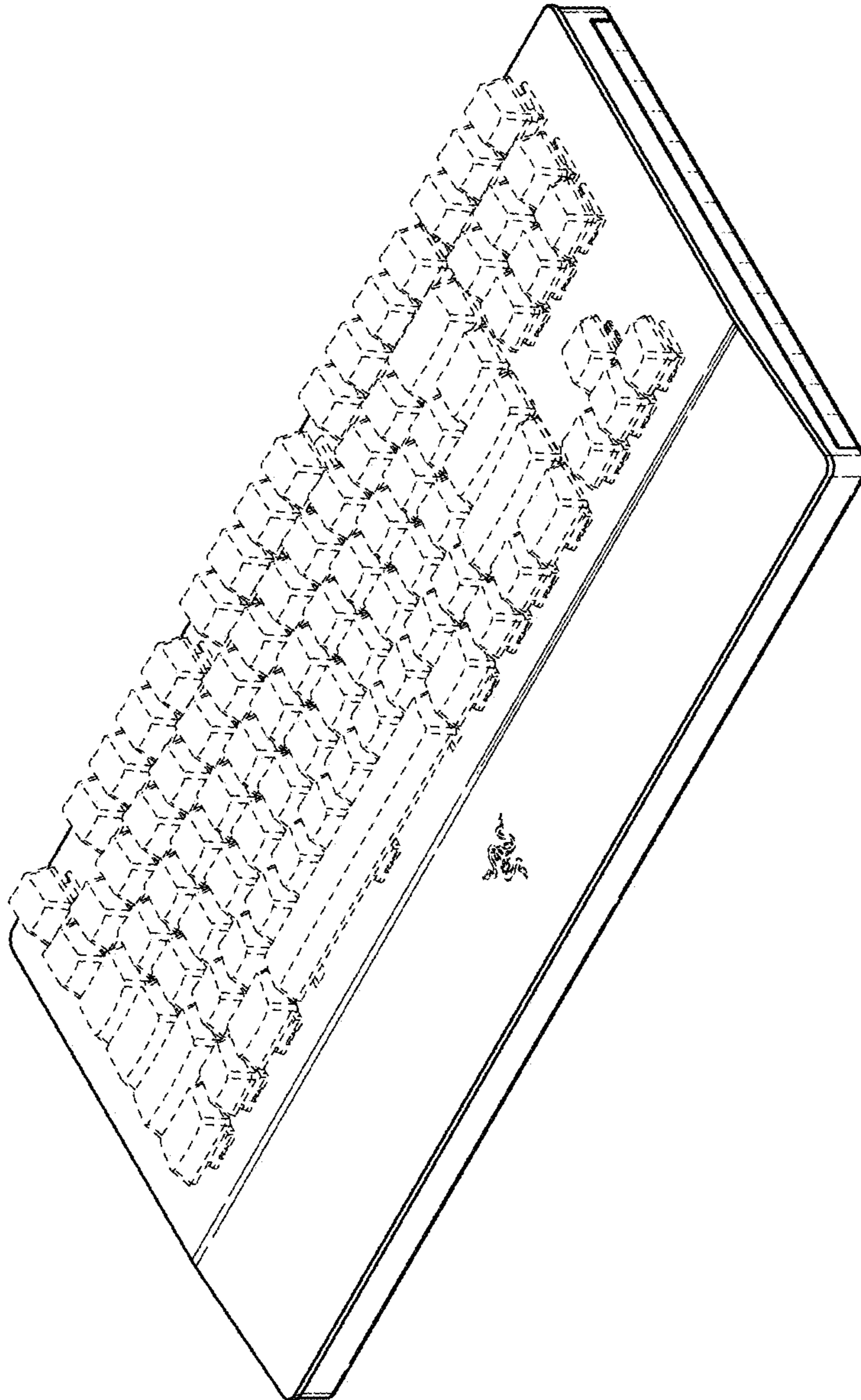


FIG. 9

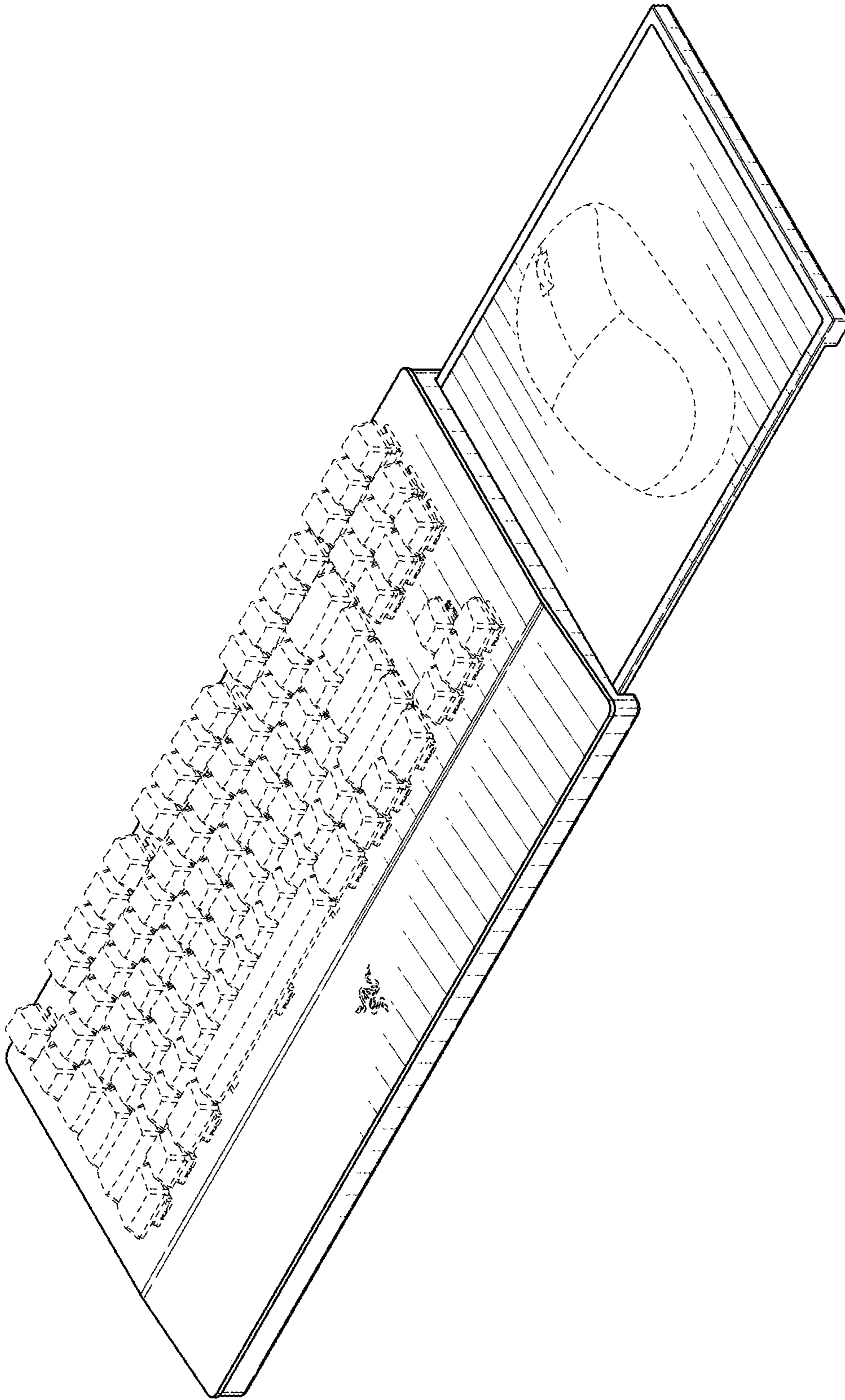


FIG. 10

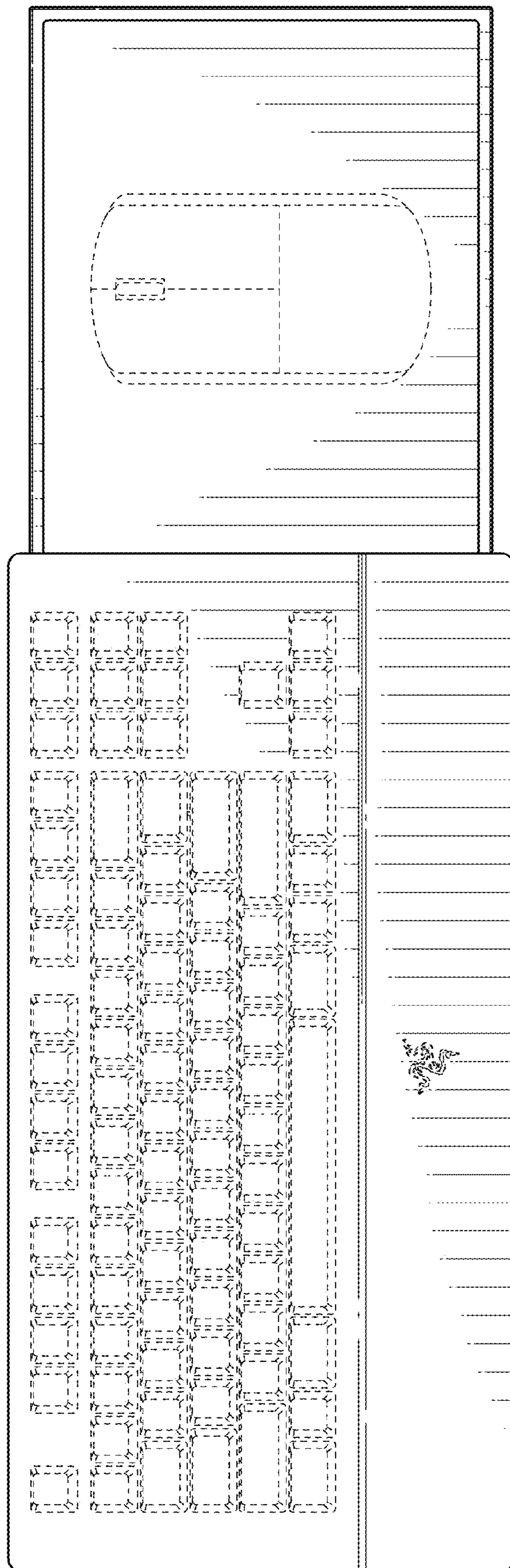


FIG. 11

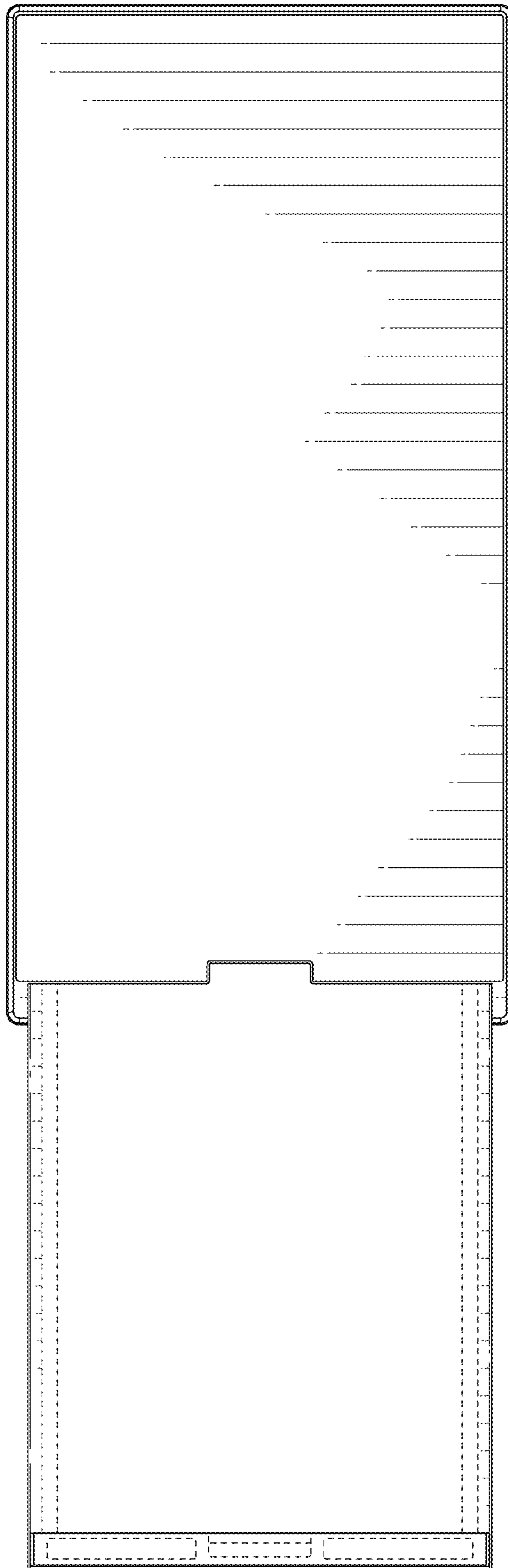


FIG. 12

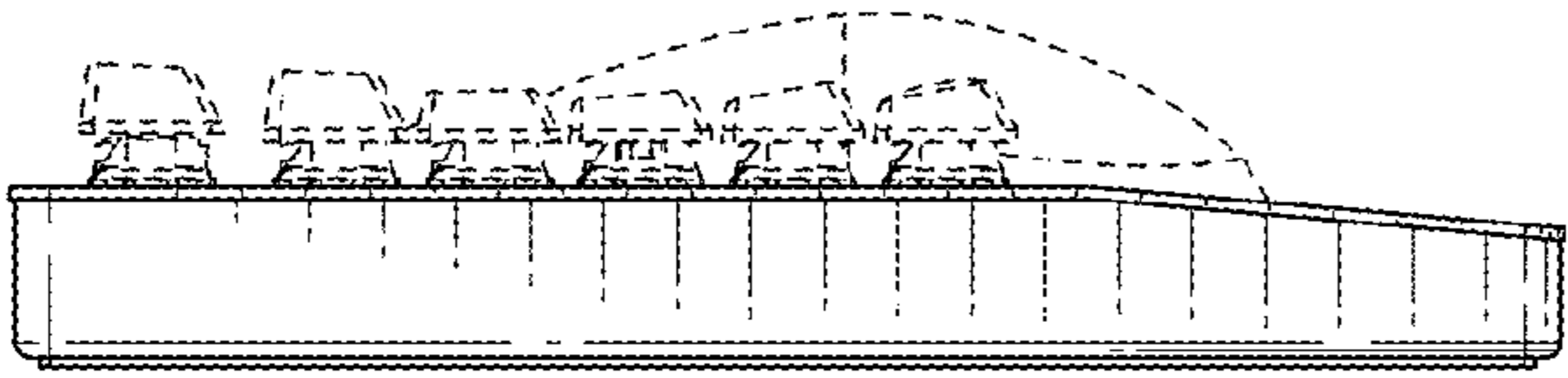


FIG. 13

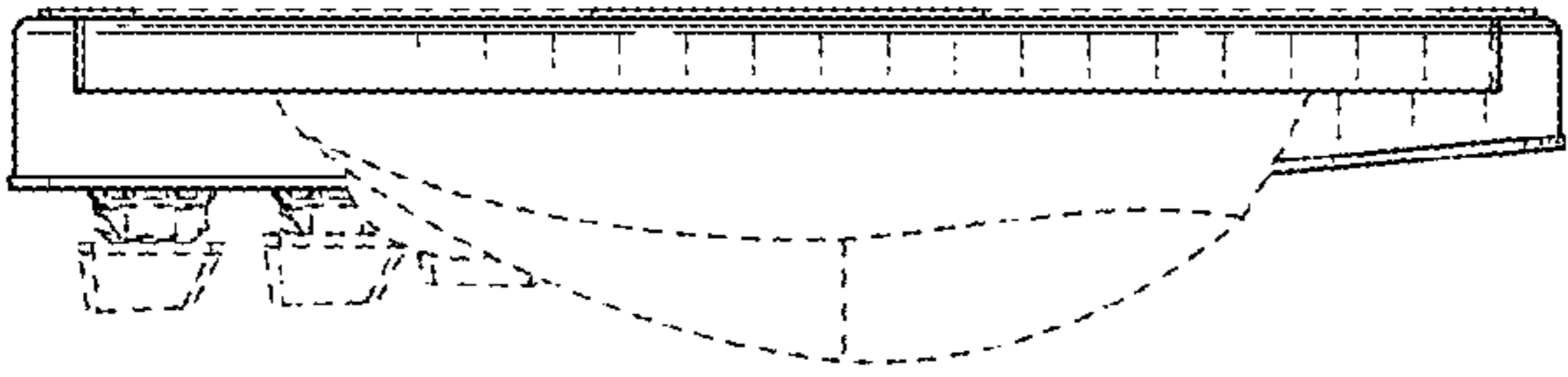


FIG. 14

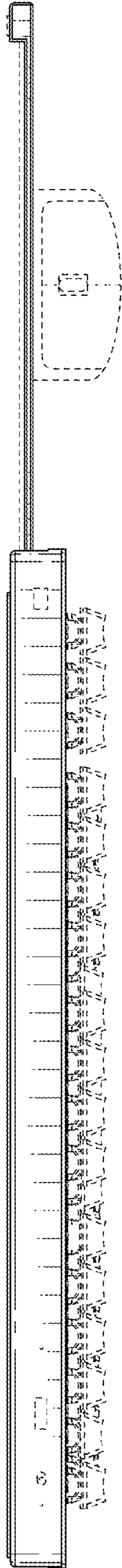


FIG. 15

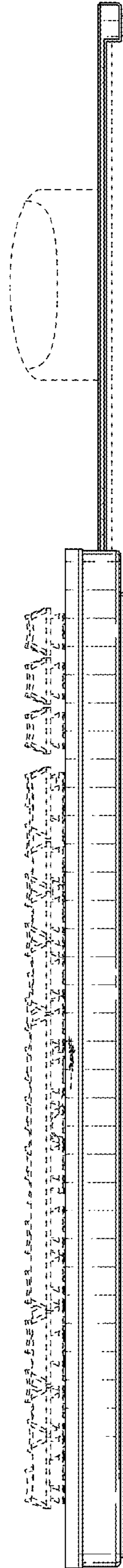


FIG. 16

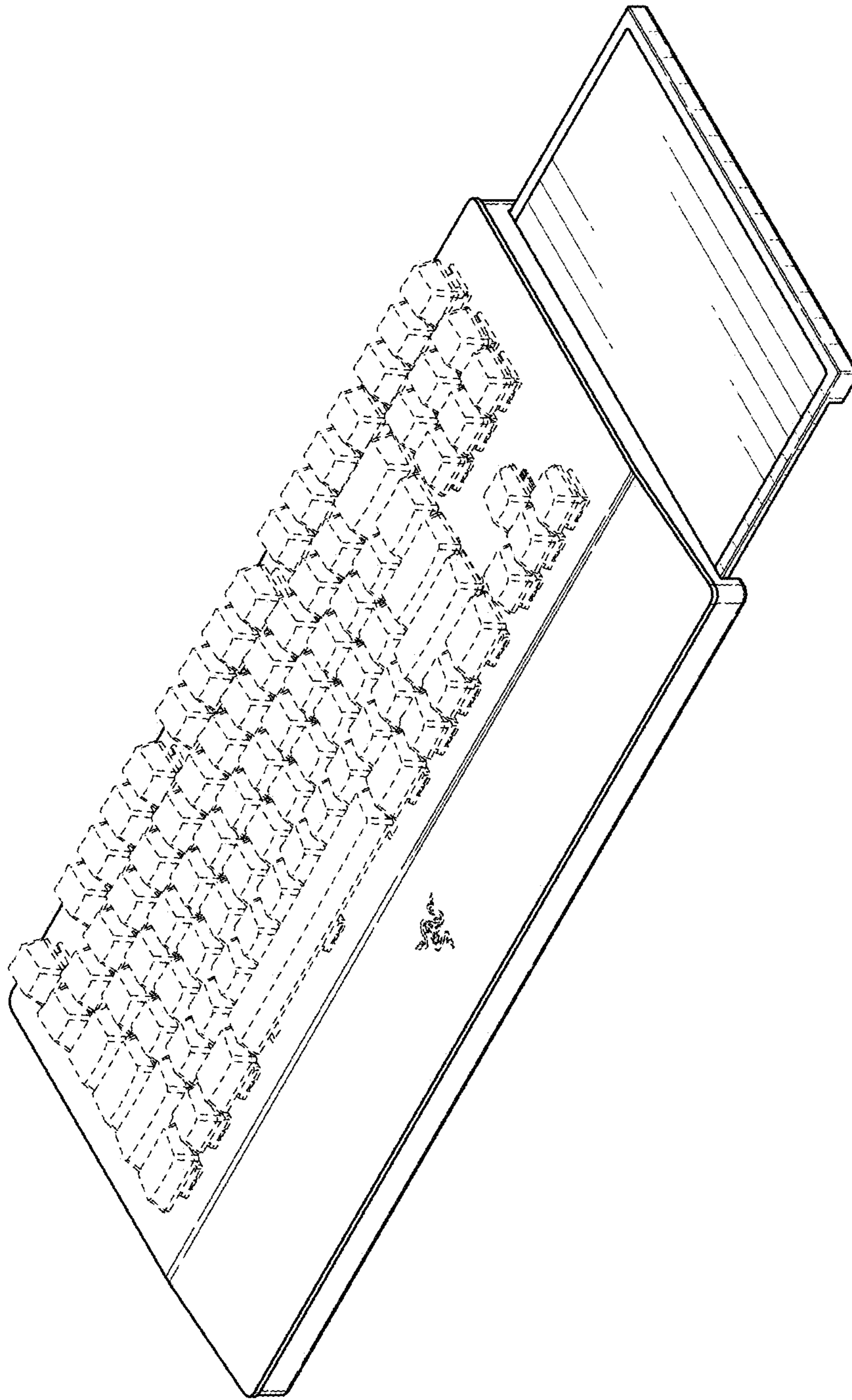


FIG. 17

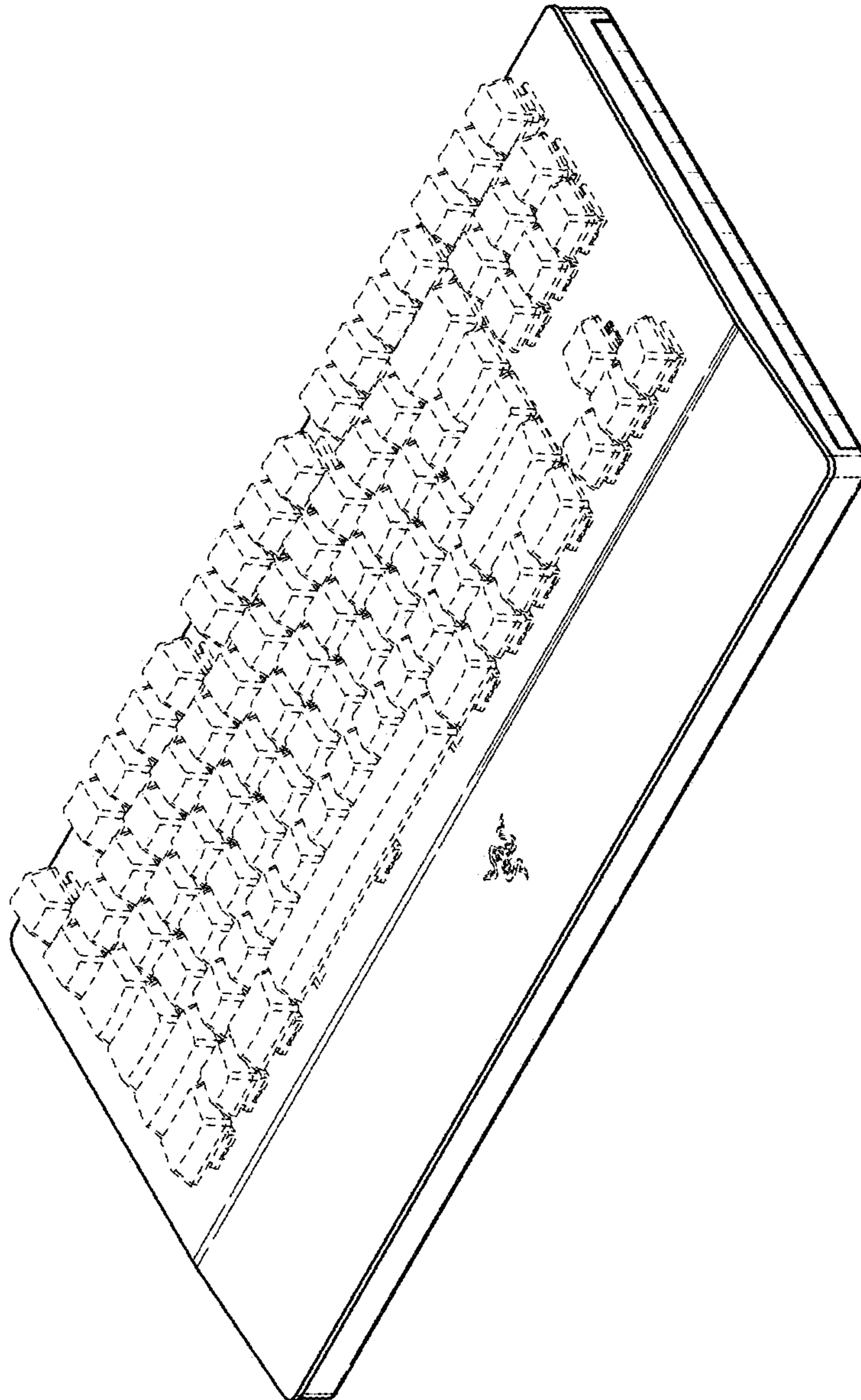


FIG. 18