



US00D978146S

(12) **United States Design Patent** (10) **Patent No.:** **US D978,146 S**
Haller et al. (45) **Date of Patent:** **** Feb. 14, 2023**

- (54) **ELECTRONIC DEVICE**
- (71) Applicant: **Elo Touch Solutions, Inc.**, Milpitas, CA (US)
- (72) Inventors: **Jeffrey Haller**, Redwood City, CA (US); **Lukas Martin Scherrer**, San Francisco, CA (US)
- (73) Assignee: **Elo Touch Solutions, Inc.**, Milpitas, CA (US)
- (**) Term: **15 Years**
- (21) Appl. No.: **29/808,506**
- (22) Filed: **Sep. 20, 2021**

D530,328 S * 10/2006 Chen D14/375
 D531,179 S * 10/2006 Yamashiro D14/375
 D539,281 S * 3/2007 Kim D14/375
 (Continued)

FOREIGN PATENT DOCUMENTS

CN 303969144 12/2016
 EM 006402764-0001 5/2019
 (Continued)

OTHER PUBLICATIONS

15-inch 16:8 EloPOS System, Elo Touch Solutions, eltouch.com, author unlisted, published on Sep. 29, 2020 © 2021 Elo Touch Solutions, Inc., online, site visited Dec. 4, 2021. Available at URL: <https://www.elotouch.com/pos-terminals-15-inch-16-9-elopos-system.html> (Year: 2020).*

(Continued)

Related U.S. Application Data

- (63) Continuation of application No. 29/684,237, filed on Mar. 19, 2019, now Pat. No. Des. 935,459.
- (51) **LOC (14) Cl.** **14-02**
- (52) **U.S. Cl.**
USPC **D14/375**
- (58) **Field of Classification Search**
USPC D14/126–127, 140.2, 203.8, 209.1, 227, D14/300, 302, 305–307, 314, 336, 371, D14/373–376, 448, 450–451, 900–902; D20/39, 41–42
CPC ... E04H 1/1227; E04H 1/1272; E04H 1/1222; G09F 13/00; G09F 9/00
See application file for complete search history.

Primary Examiner — Holly E Thurman
Assistant Examiner — Altaira J Swangin
 (74) *Attorney, Agent, or Firm* — Sterne, Kessler, Goldstein & Fox P.L.L.C.

(57) **CLAIM**

The ornamental design for an electronic device, as shown and described.

DESCRIPTION

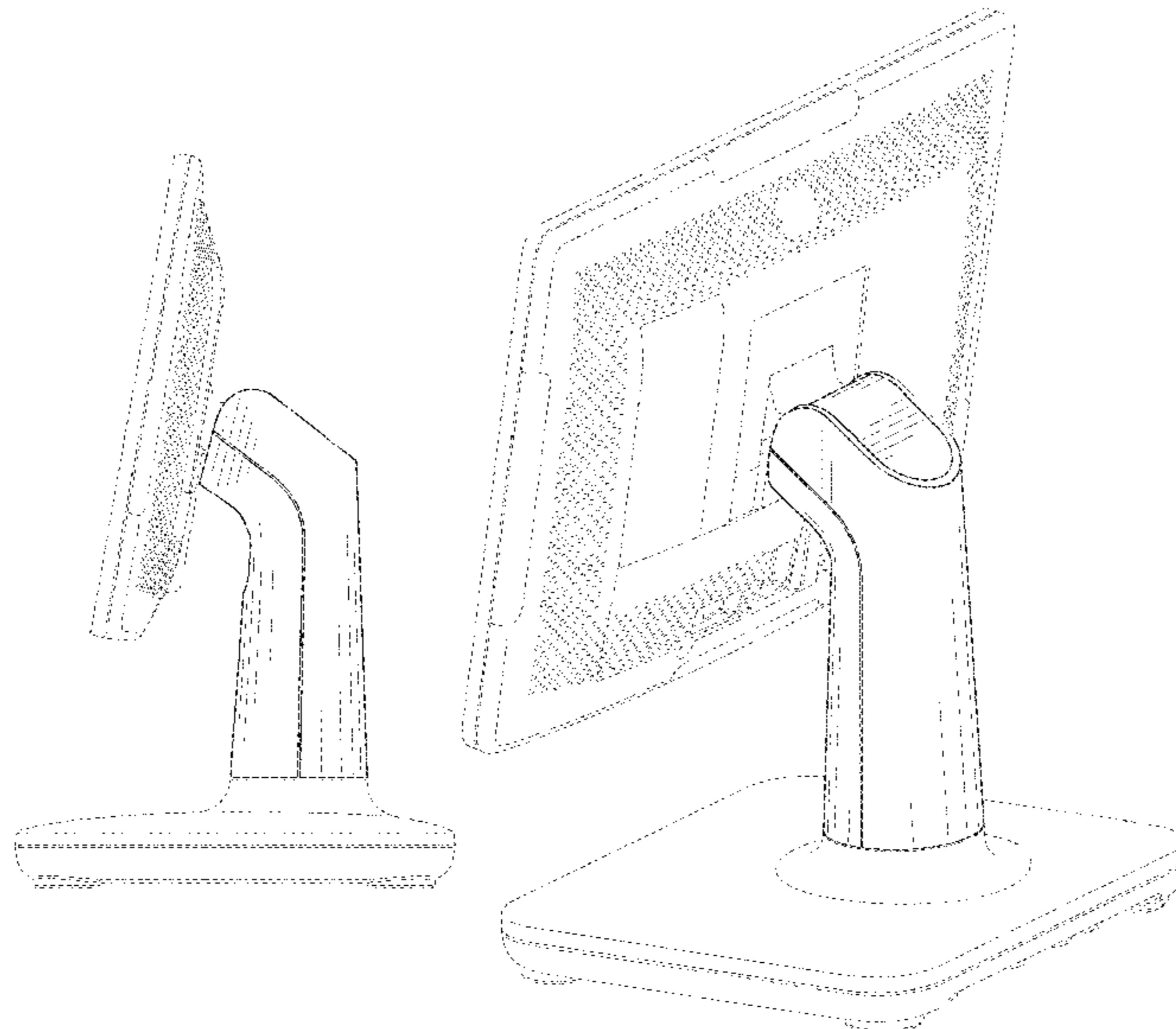
FIG. 1 is a top front perspective view of an electronic device showing the claimed design;
 FIG. 2 is a front view thereof;
 FIG. 3 is a rear view thereof;
 FIG. 4 is a right side view thereof;
 FIG. 5 is a left side view thereof;
 FIG. 6 is a top view thereof;
 FIG. 7 is a bottom view thereof; and,
 FIG. 8 is a top rear perspective view thereof.
 The broken lines in the figures show portions of the electronic device that form no part of the claimed design.

(56) **References Cited**

U.S. PATENT DOCUMENTS

D260,989 S * 9/1981 McGourty D14/227
 D412,892 S * 8/1999 Lee D14/126
 D486,457 S * 2/2004 Lee D14/129
 D517,549 S * 3/2006 Depay D14/375

1 Claim, 8 Drawing Sheets



(56)

References Cited

U.S. PATENT DOCUMENTS

D541,278 S * 4/2007 Hsu D14/336
 D550,635 S * 9/2007 DeMaio D14/126
 D685,806 S * 7/2013 Kim D14/451
 D687,484 S 8/2013 Eun
 D688,254 S * 8/2013 Brooks D14/448
 D713,447 S 9/2014 Balar et al.
 D714,239 S * 9/2014 Kim D14/126
 D720,315 S * 12/2014 Kim D14/126
 D726,717 S * 4/2015 Lee D14/371
 9,020,615 B2 4/2015 Rihn et al.
 D733,672 S * 7/2015 Choi D14/126
 D746,902 S 1/2016 Lyons et al.
 D752,587 S 3/2016 Gong
 D753,616 S * 4/2016 Sung D14/126
 D759,002 S * 6/2016 Won D14/239
 D760,723 S * 7/2016 Won D14/447
 9,448,583 B1 9/2016 Lee et al.
 D806,159 S 12/2017 Haller
 D807,424 S 1/2018 Chang et al.
 D812,615 S 3/2018 Lee et al.
 D816,662 S 5/2018 Haller et al.
 D819,028 S * 5/2018 Seo D14/374
 D824,895 S * 8/2018 Tivnon D14/314
 D831,640 S 10/2018 Tivnon et al.
 D844,046 S 3/2019 Yeruva et al.
 D849,832 S 5/2019 Baker et al.
 D882,676 S 4/2020 Sorio
 D882,680 S 4/2020 Eun
 D883,373 S 5/2020 Sorio
 D892,110 S 8/2020 Birgeoglu
 D907,038 S 1/2021 Yeruva et al.
 D907,050 S * 1/2021 Vardar D14/452
 D912,663 S * 3/2021 Cebe D14/336
 D918,193 S 5/2021 Fredette et al.
 D920,324 S 5/2021 Warren et al.
 D922,995 S * 6/2021 Lin D14/307
 D924,867 S 7/2021 Chen
 D924,882 S * 7/2021 Park D14/451
 D925,517 S 7/2021 Ushery, Jr. et al.

D925,520 S 7/2021 Chen
 D935,459 S * 11/2021 Haller D14/375
 D937,263 S * 11/2021 Kim D14/374
 D947,189 S * 3/2022 Han D14/374
 2006/0126282 A1 * 6/2006 Chen G06F 1/1601
 361/679.22
 2015/0241919 A1 8/2015 Beatty et al.
 2016/0070964 A1 3/2016 Conrad
 2016/0091135 A1 3/2016 Chen
 2016/0120050 A1 4/2016 Chen
 2017/0276289 A1 9/2017 Phillips et al.
 2018/0324974 A1 11/2018 Mills
 2020/0319668 A1 10/2020 Bain
 2020/0344115 A1 10/2020 Power et al.

FOREIGN PATENT DOCUMENTS

EM 006402764-0004 5/2019
 GB 9006402764-0003 * 4/2019
 KR 3009988280003 * 3/2019

OTHER PUBLICATIONS

MHS01 Monitor Ergonomic Stand, ASUS, asus.com, author and date unlisted © ASUS Tek Computer Inc., online, site visited Dec. 4, 2021. Available at URL: <https://www.asus.com/Displays-Desktops/Accessories/Display-Accessories/MHS11/> (Year: 2021).
 Flexipole Tab, ENS Group, ens-co.com, author unlisted, published in 2021 © 2021 ENS GRoup, online, site visited Jun. 30, 2022. Available at URL: <https://www.ens-co.com/wp-content/uploads/2021/08/FlexiPole-Tab-Data-Sheet-V2.2.pdf> (Year: 2021).
 “15-inch (16:9) EloPOS System,” Elo Touch Solutions, Inc. [online], dated Sep. 29, 2020, URL: <https://www.elotouch.com/pos-terminals-15-inch-16-9-elopos-system.html>.
 “NCR CX7: Elite Performance in a Stunning POS System,” Dascus [online], dated 2019, URL: <https://www.dascus.de/images/Portfolio/NCR/NCR-CX7-Datasheet.pdf>.
 U.S. Appl. No. 29/684,237, filed Mar. 19, 2019.

* cited by examiner

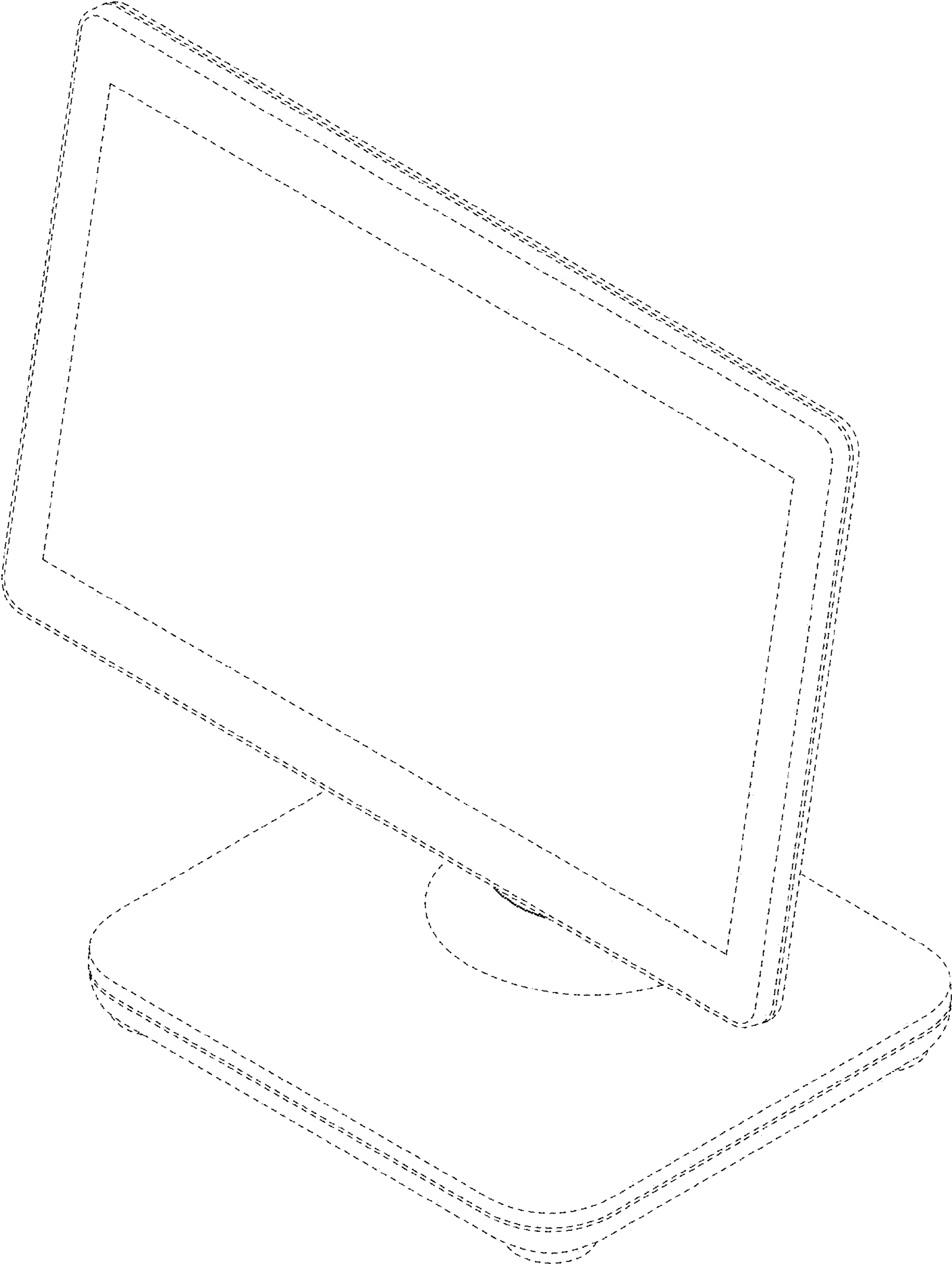


FIG. 1

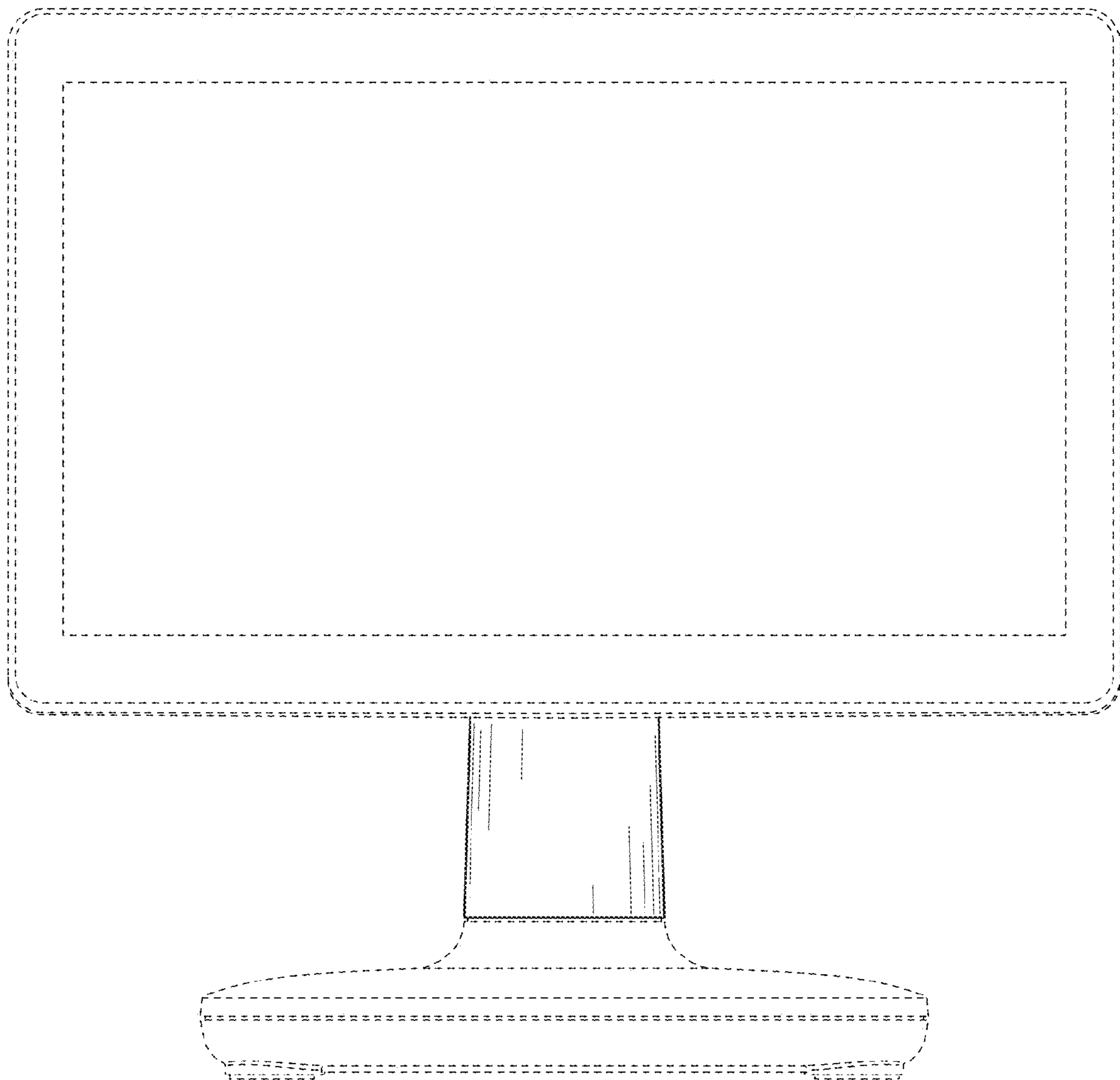


FIG. 2

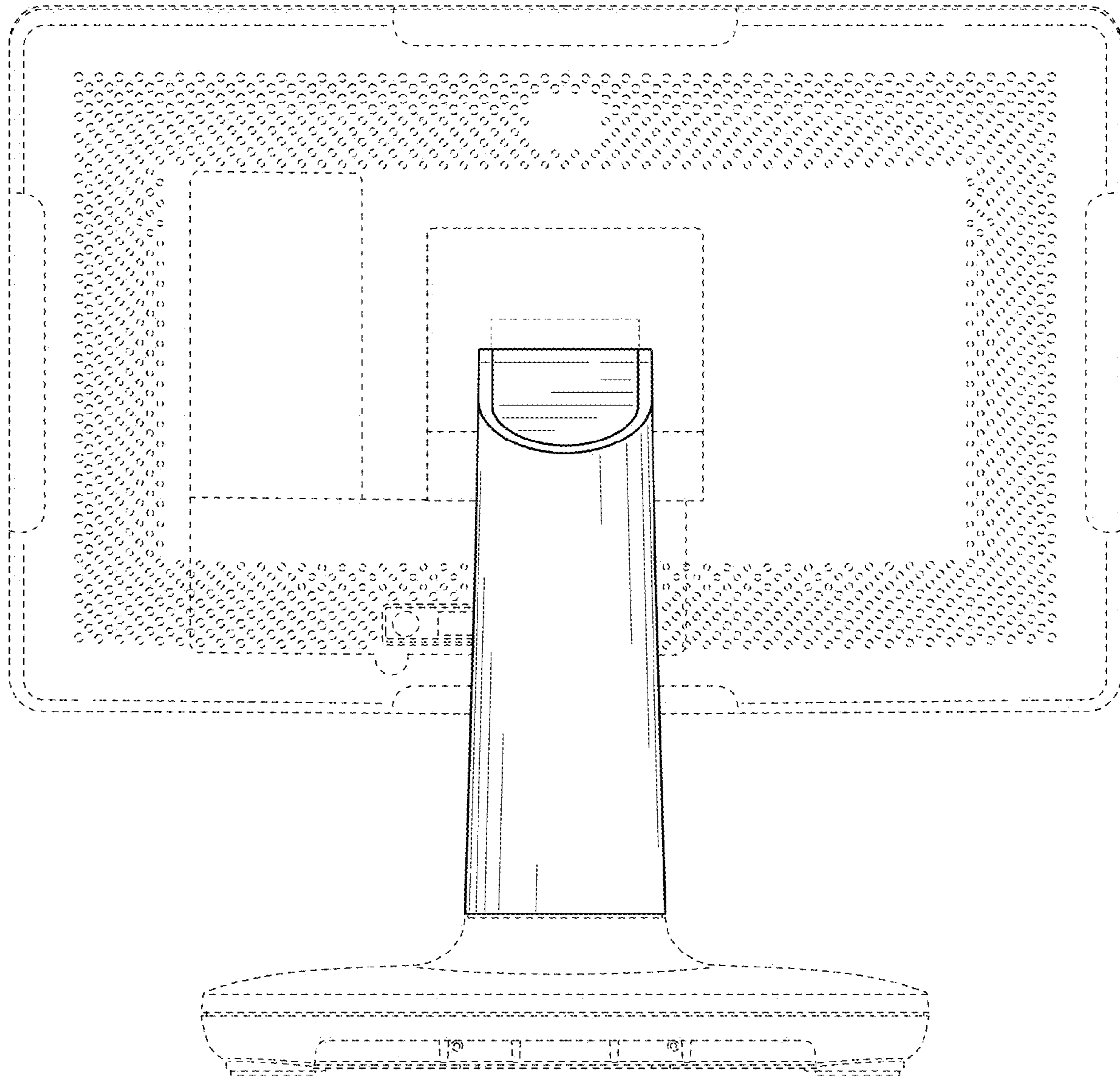


FIG. 3

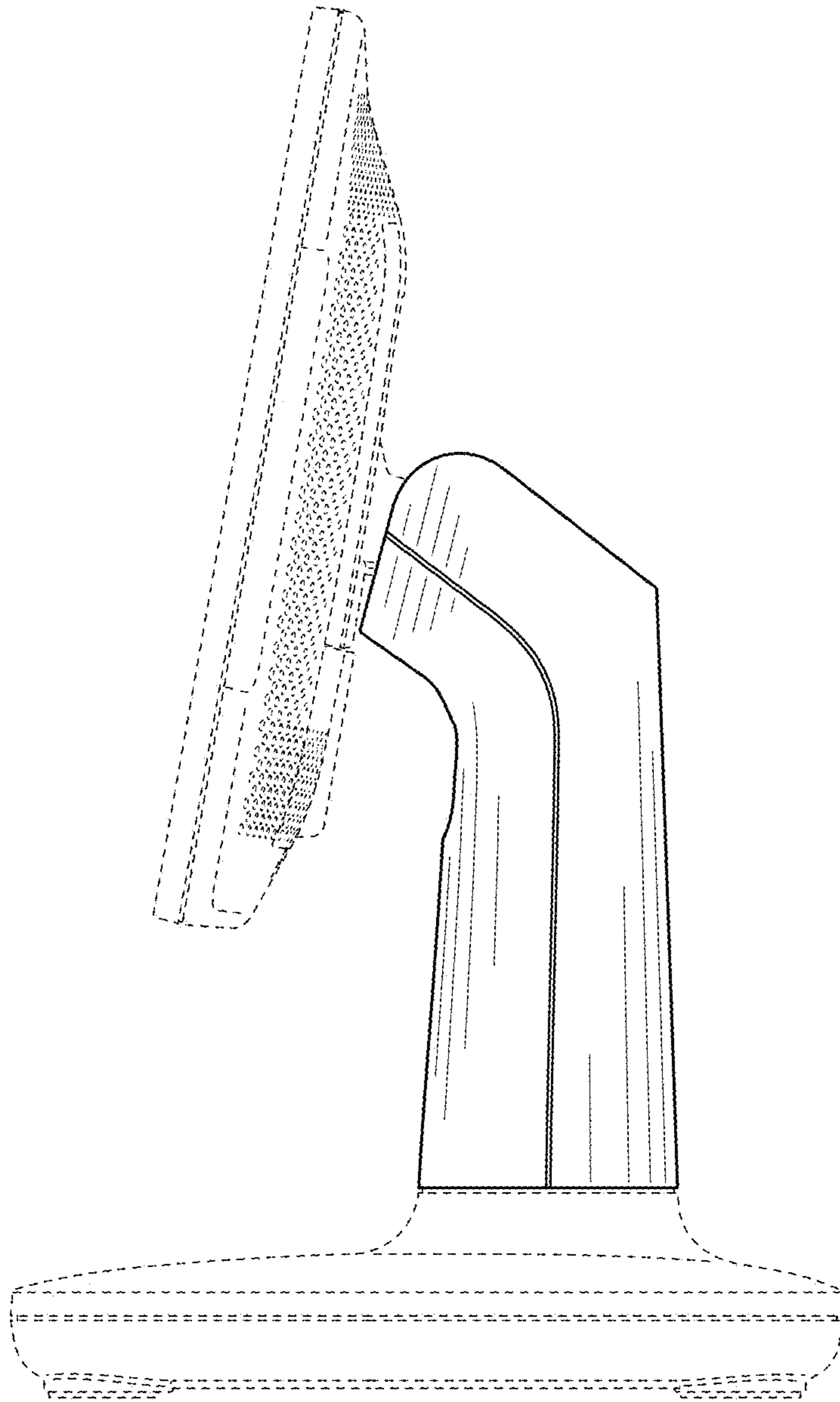


FIG. 4

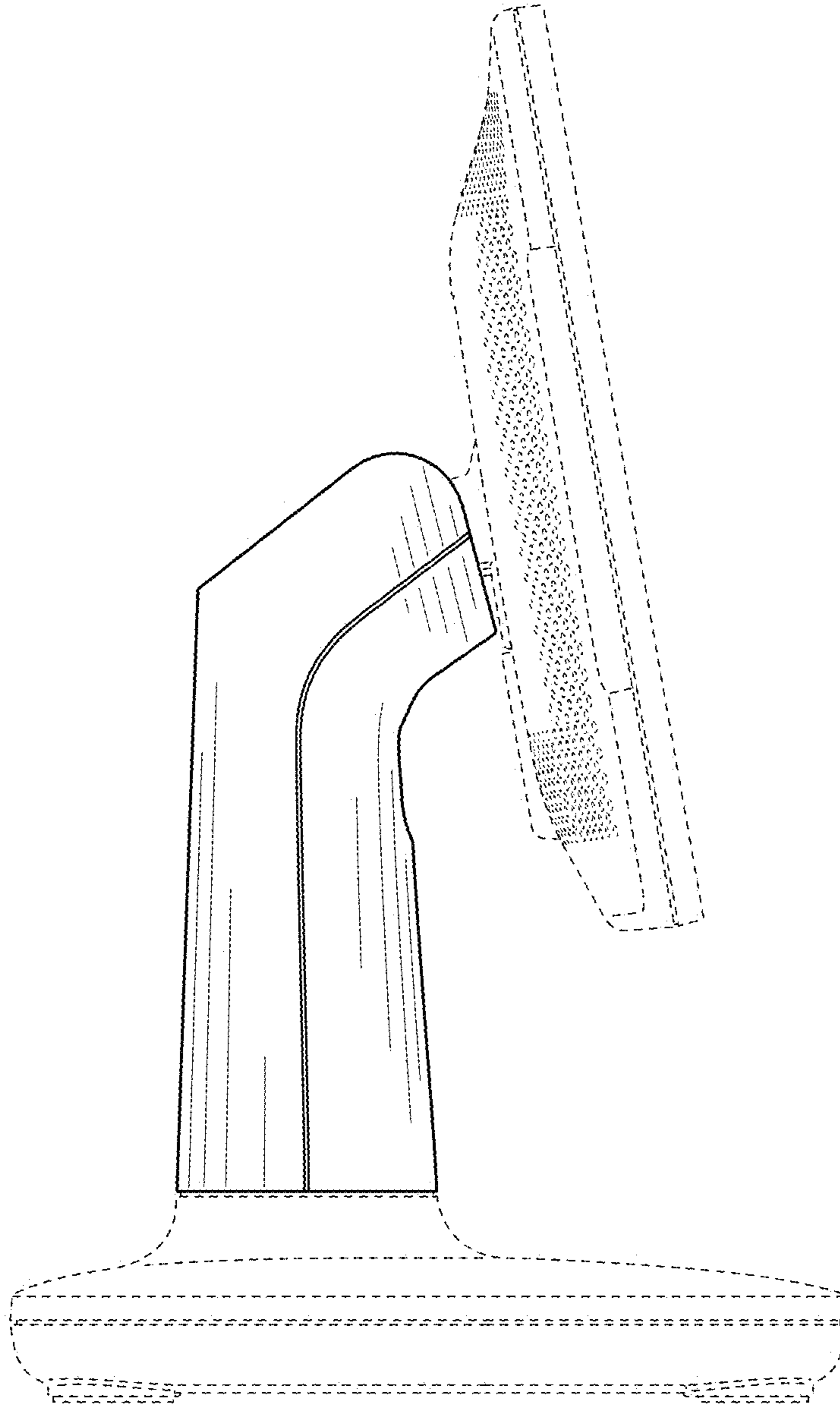


FIG. 5

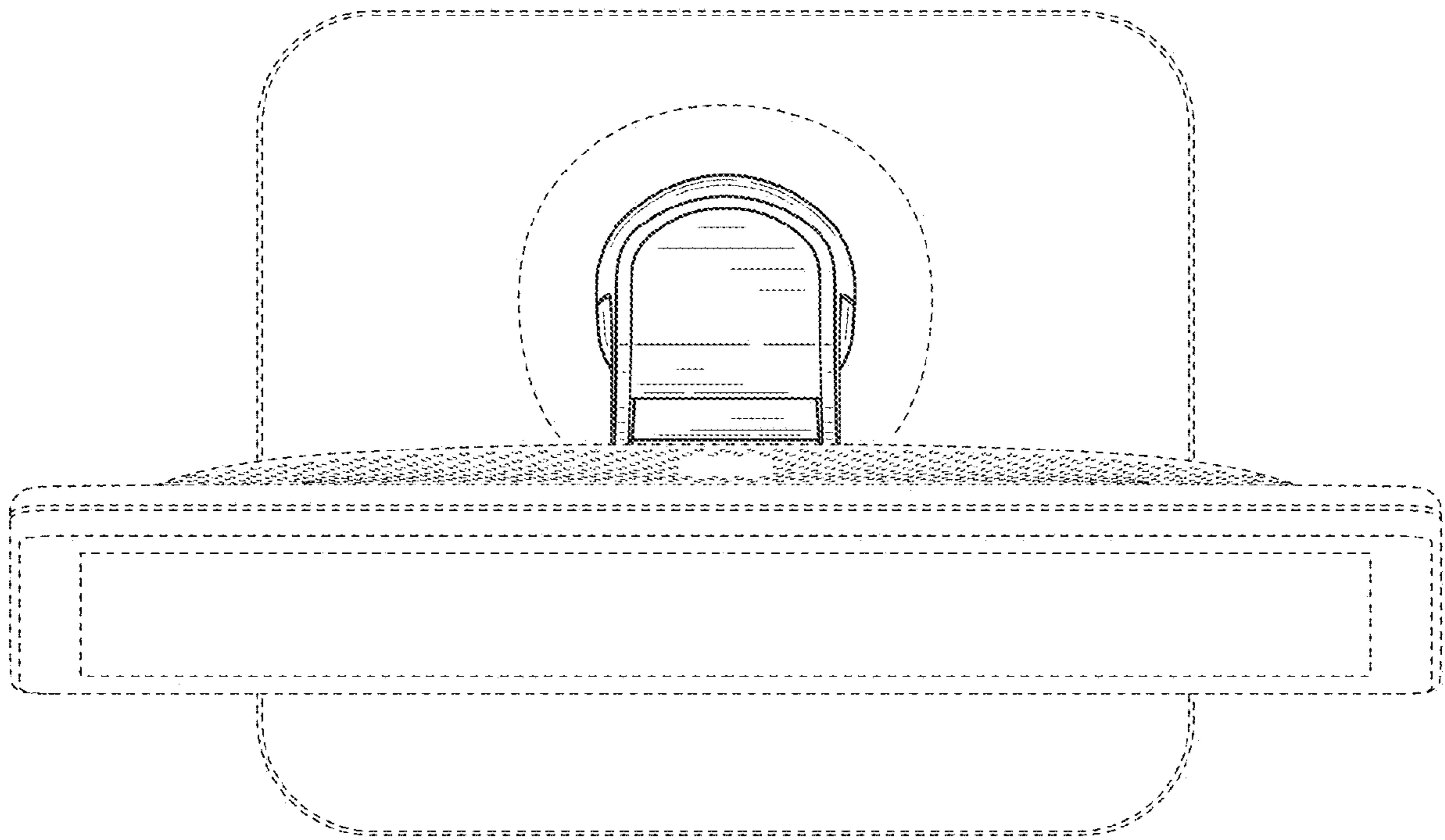


FIG. 6

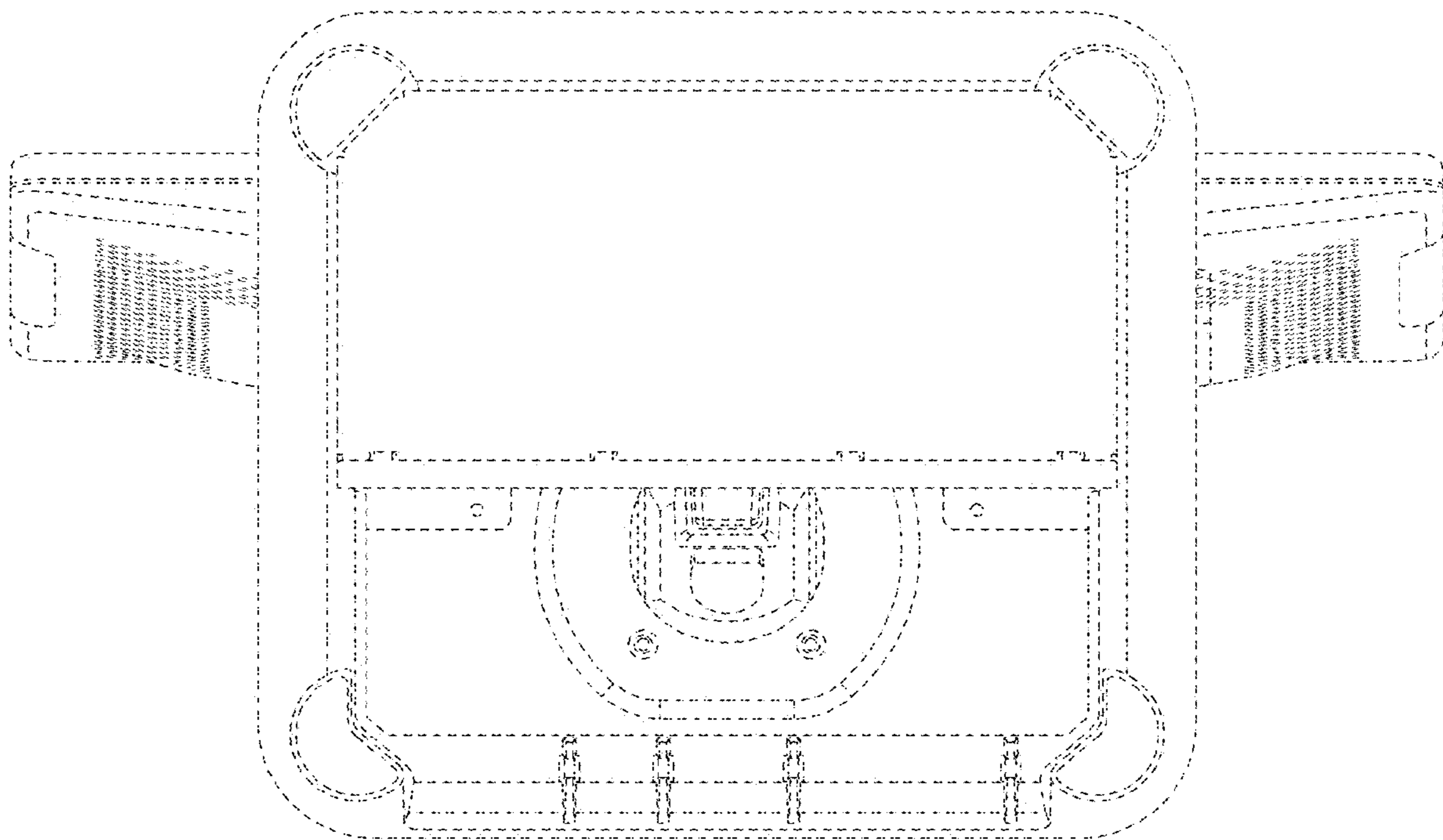


FIG. 7

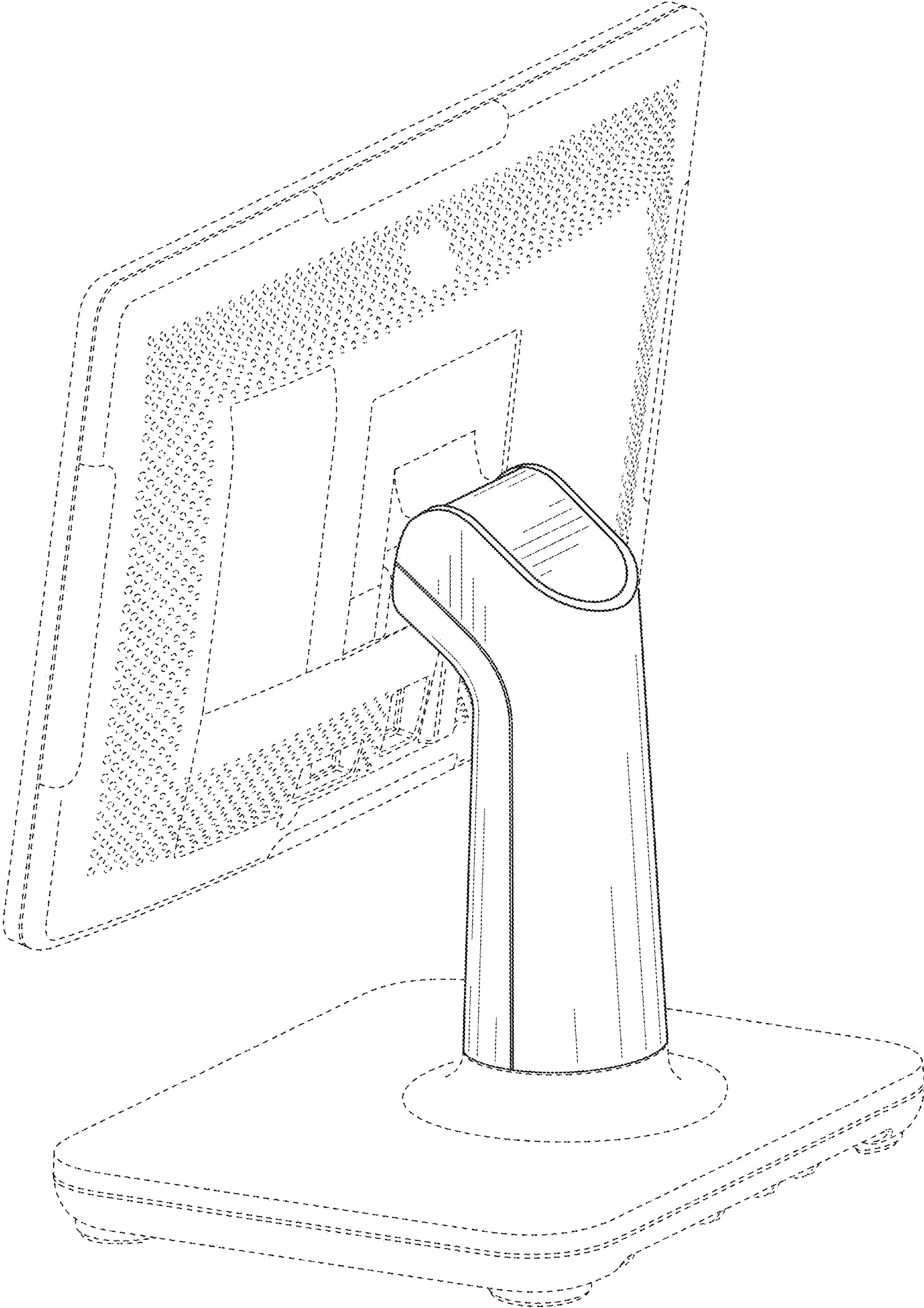


FIG. 8