



US00D978144S

(12) **United States Design Patent** (10) **Patent No.:** **US D978,144 S**
Buzza (45) **Date of Patent:** **** Feb. 14, 2023**

(54) **HAND HELD ELECTRONIC PEEK DEVICE**

(71) Applicant: **Nathan Buzza**, City Beach (AU)

(72) Inventor: **Nathan Buzza**, City Beach (AU)

(**) Term: **15 Years**

(21) Appl. No.: **29/800,390**

(22) Filed: **Jul. 21, 2021**

(51) **LOC (14) Cl.** **14-02**

(52) **U.S. Cl.**
USPC **D14/356**

(58) **Field of Classification Search**
USPC D14/155, 160, 167, 168, 203.3, 203.7,
D14/217, 218, 224, 356, 496, 374, 341,
D14/488, 358, 204; D13/158
CPC H04M 1/03; H04R 5/02; H04B 1/086
See application file for complete search history.

(56) **References Cited**

U.S. PATENT DOCUMENTS

D525,948 S *	8/2006	Blair	D13/168
D538,779 S *	3/2007	Nohara	D14/167
D542,304 S *	5/2007	Kim	D14/496
D548,195 S *	8/2007	Poulet	D13/168
D556,759 S	12/2007	Kawanobe		
D566,706 S *	4/2008	Andre	D14/496
D573,578 S *	7/2008	Turksu	D14/155
D580,908 S *	11/2008	Nakamura	D14/167
D611,431 S *	3/2010	Snyder	D13/168
D624,880 S *	10/2010	Felegy, Jr.	D13/168
D634,735 S *	3/2011	Maier	D14/218
D651,589 S *	1/2012	Fischer	D14/218
D662,488 S *	6/2012	Yeo	D14/203.3
D730,314 S *	5/2015	Chapman	D14/204

D768,581 S *	10/2016	Spira	D13/168
D778,880 S *	2/2017	Belitz	D14/224
D796,484 S *	9/2017	Chen	D14/218
D805,052 S *	12/2017	Suzuki	D14/167
D811,373 S *	2/2018	Lee	D14/218
D901,496 S *	11/2020	Hachiya	D14/388
D940,667 S *	1/2022	Bi	D14/218
D953,367 S *	5/2022	Lynch	D14/488

FOREIGN PATENT DOCUMENTS

KR 3020120048864 1/2014

* cited by examiner

Primary Examiner — Khawaja Anwar
Assistant Examiner — Megan Tiana Rakos

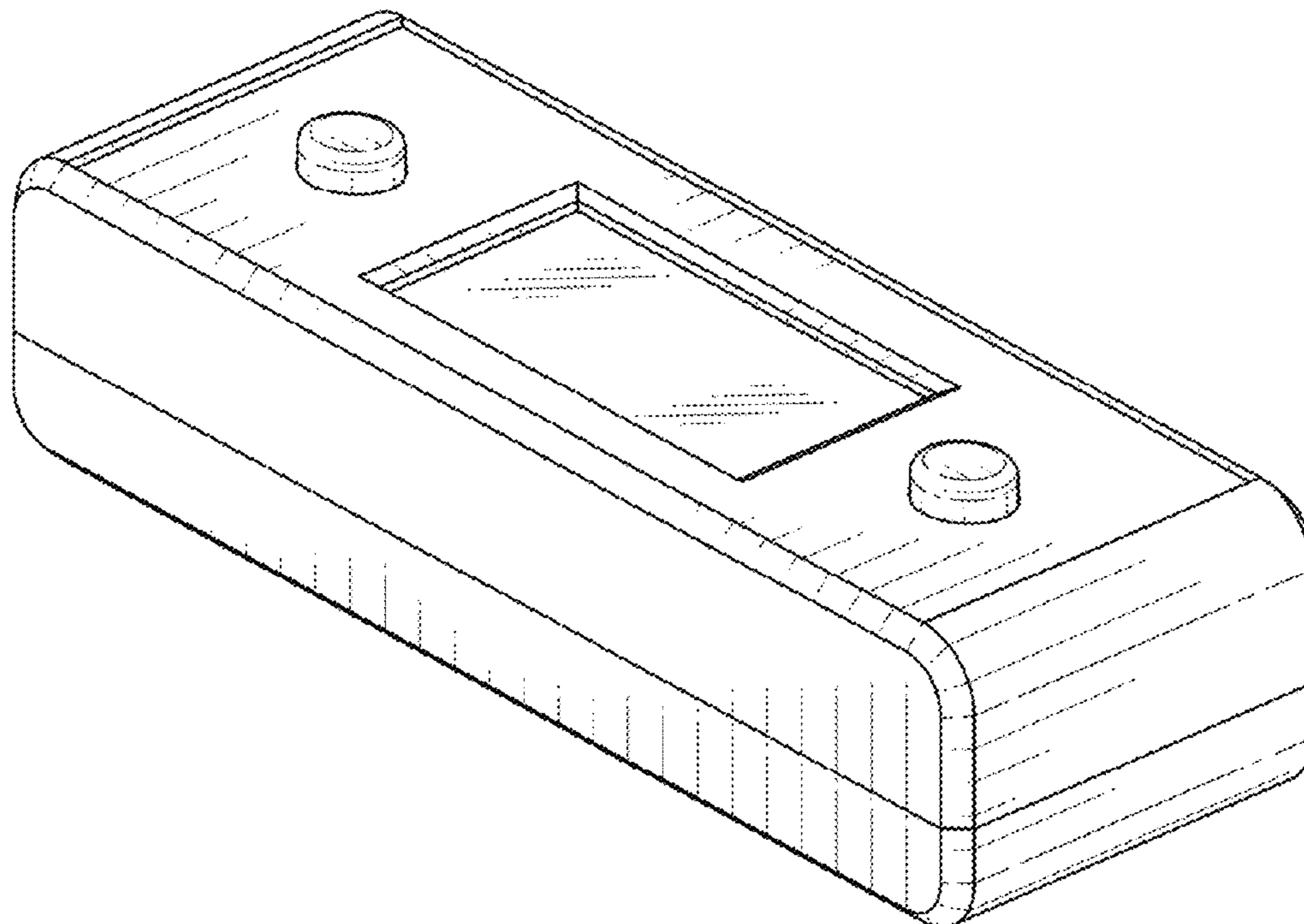
(57) **CLAIM**

The ornamental design for hand held electronic peek device, as shown and described.

DESCRIPTION

FIG. 1 is an isometric view of the hand held electronic peek device, showing my new design;
FIG. 2 is a front view thereof;
FIG. 3 is a back view thereof;
FIG. 4 is a right side view thereof;
FIG. 5 is a left side view thereof;
FIG. 6 is a top view thereof; and,
FIG. 7 is a bottom view thereof.
The broken lines shown in all the figure views are for illustrative purpose only and forms no part of the claimed design.

1 Claim, 4 Drawing Sheets



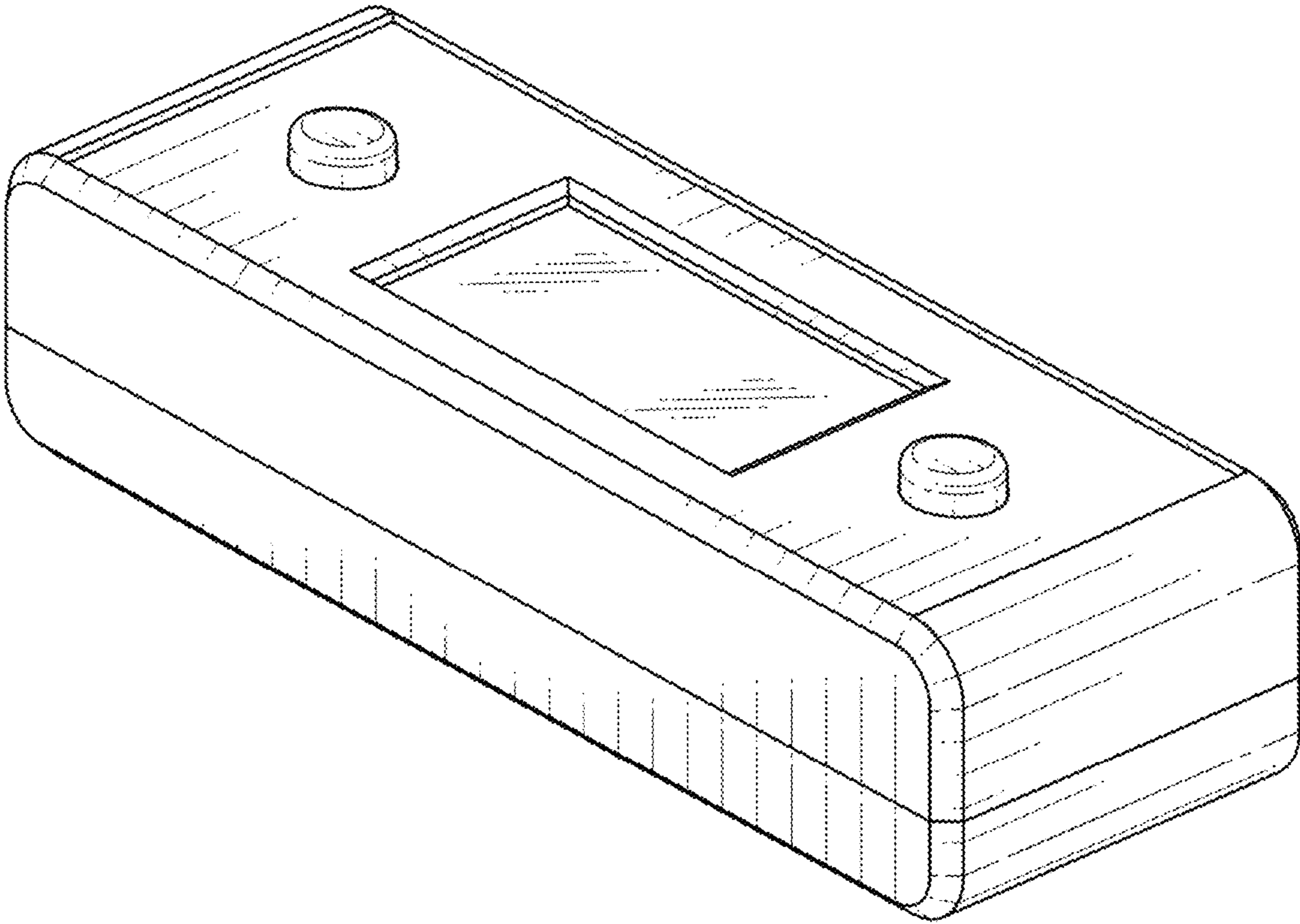


FIG. 1

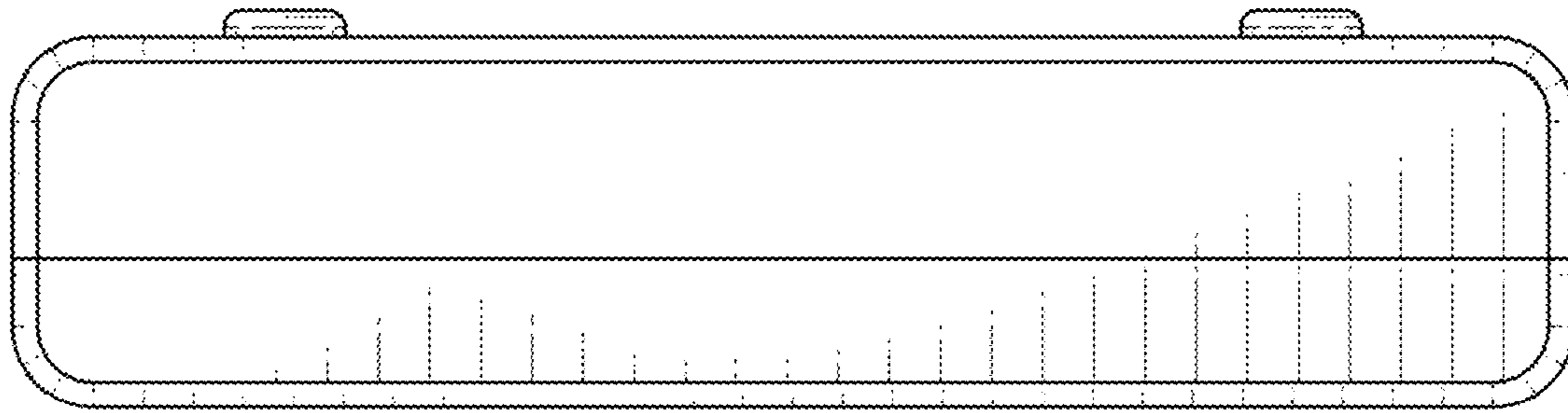


FIG. 2

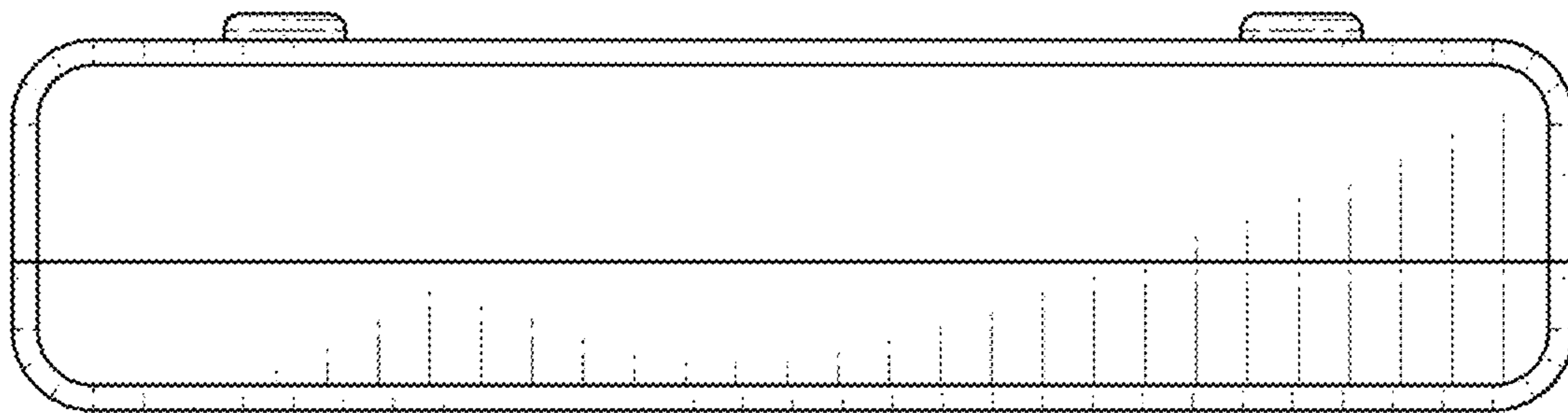


FIG. 3

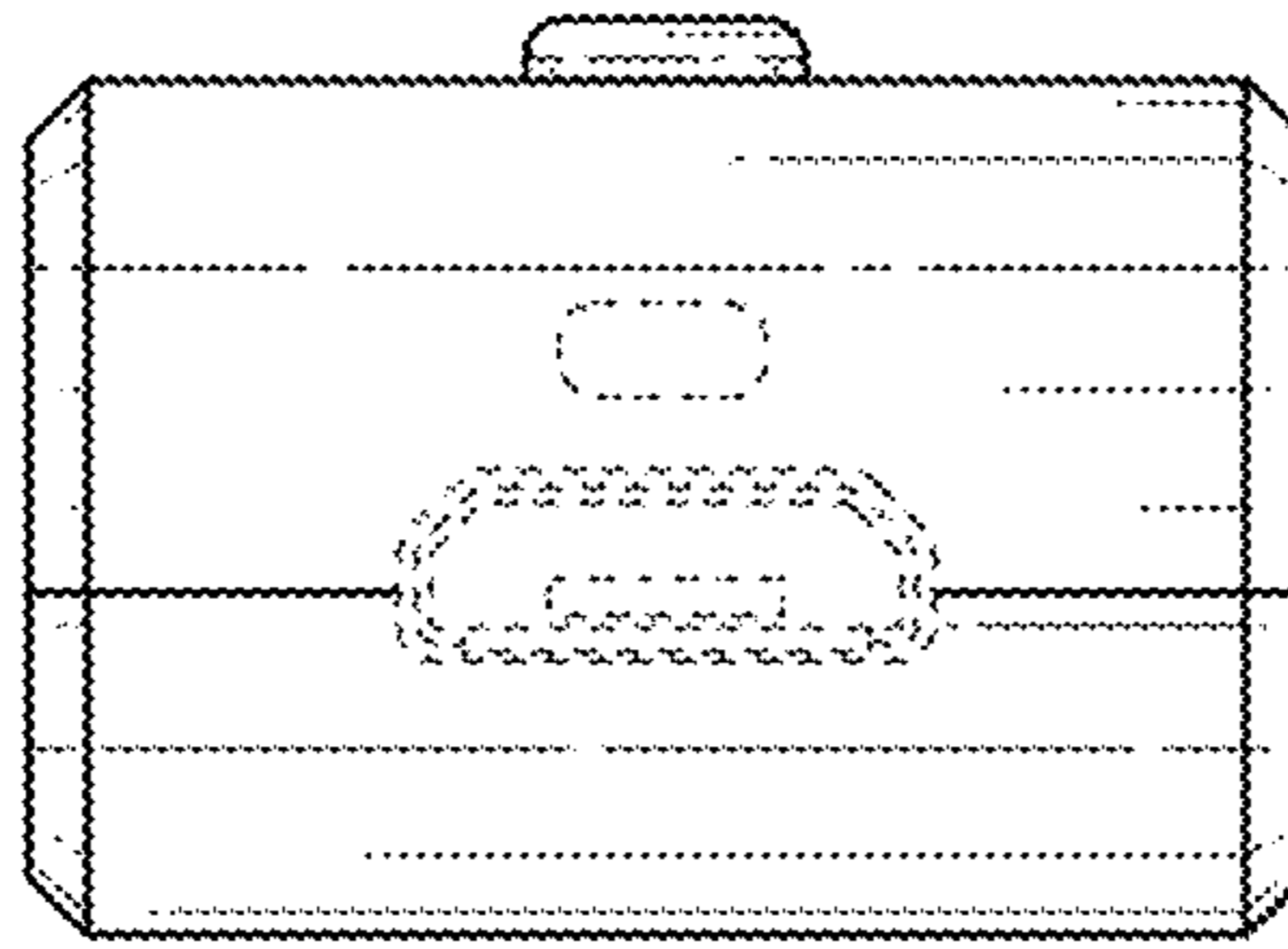


FIG. 4

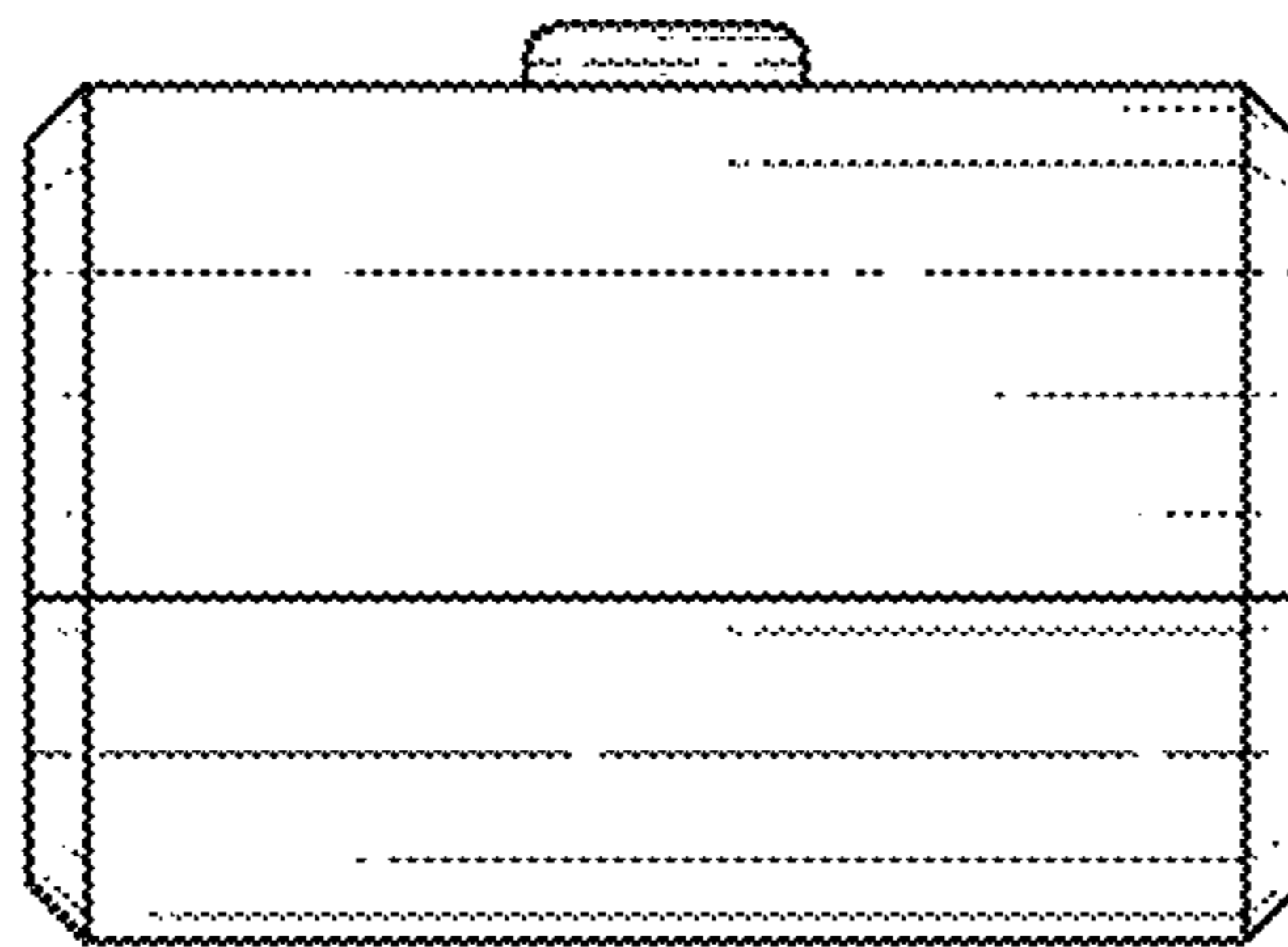


FIG. 5

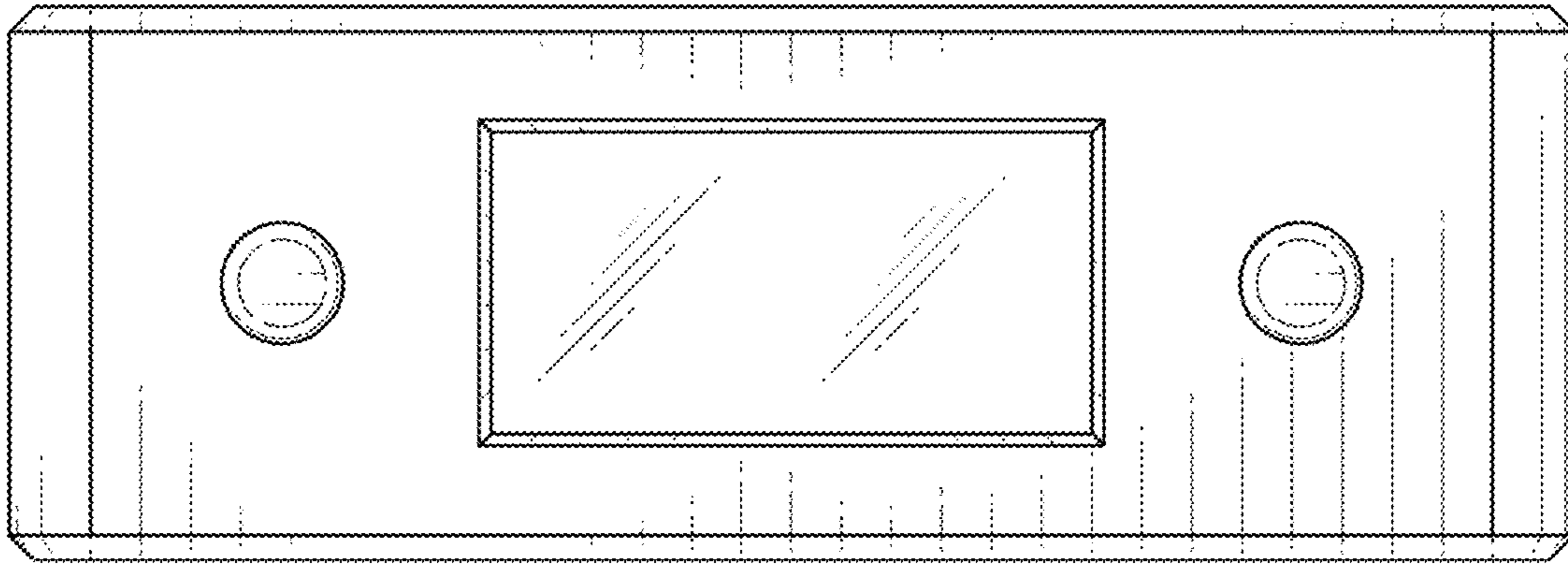


FIG. 6

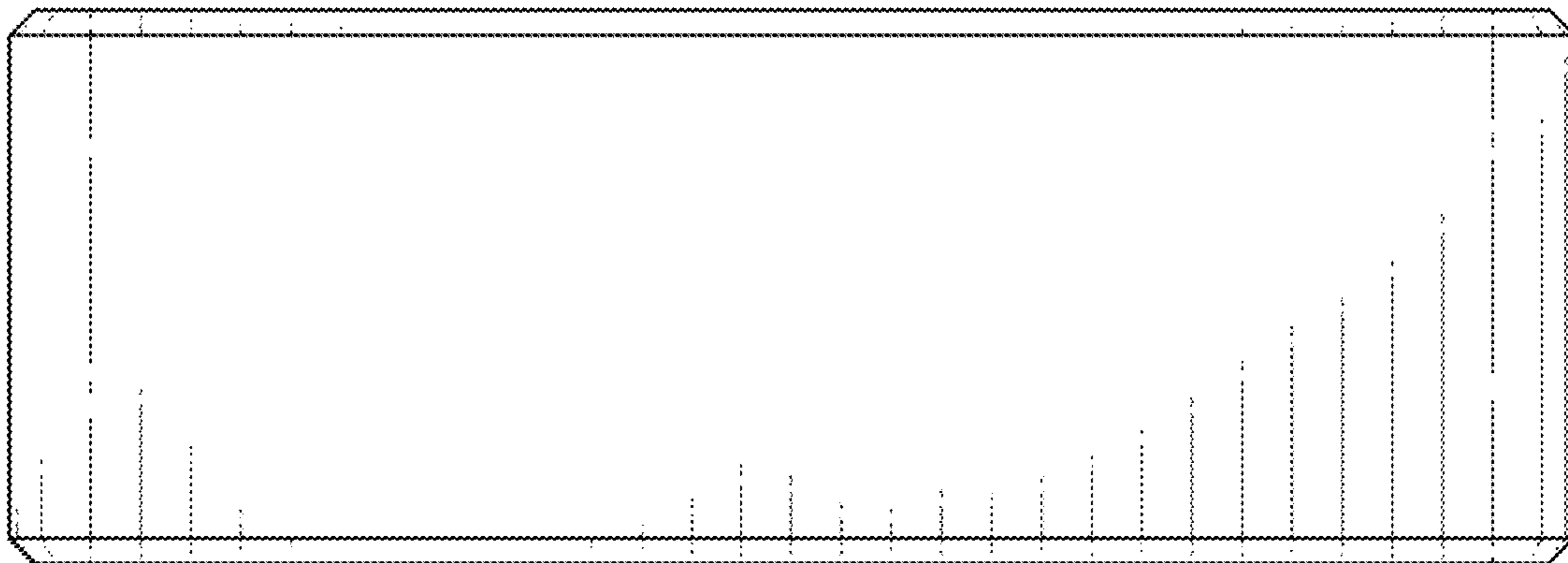


FIG. 7