



US00D978142S

(12) **United States Design Patent**  
**Komulainen**

(10) **Patent No.:** **US D978,142 S**

(45) **Date of Patent:** **\*\* Feb. 14, 2023**

(54) **WRIST-WORN PHYSICAL ACTIVITY MEASUREMENT APPARATUS**

(71) Applicant: **Polar Electro Oy**, Kempele (FI)

(72) Inventor: **Olli Komulainen**, Kempele (FI)

(73) Assignee: **POLAR ELECTRO OY**, Kempele (FI)

(\*\*) Term: **15 Years**

(21) Appl. No.: **29/737,549**

(22) Filed: **Jun. 10, 2020**

(51) **LOC (14) Cl.** ..... **14-02**

(52) **U.S. Cl.**  
USPC ..... **D14/344**

(58) **Field of Classification Search**  
USPC ... D14/138 R, 144, 341, 344, 346, 388, 389, D14/390, 496; D10/30-32, 38, 70; D24/167, 186, 187  
CPC ..... G04G 17/00; G04G 17/045; G04G 17/08; G04G 17/083; G04G 21/00; G04G 21/02; G04G 21/025; G04G 21/06; G04G 21/08; G04G 99/006; G06F 1/163; A44C 5/0007; A44C 5/0015; A44C 5/0046; A44C 5/0053; A44C 5/2052; A44C 5/2071

See application file for complete search history.

(56) **References Cited**

**U.S. PATENT DOCUMENTS**

D746,815 S *	1/2016	Lim	.....	D14/344
D746,816 S *	1/2016	Lim	.....	D14/344
D773,458 S *	12/2016	Park	.....	D10/70
D775,973 S *	1/2017	Kamata	.....	D10/38
D795,863 S *	8/2017	Park	.....	D14/344
D818,376 S *	5/2018	Monachon	.....	D10/38
D823,302 S *	7/2018	Yoshimoto	.....	D14/344
D848,284 S *	5/2019	Tonohori	.....	D10/30
D858,311 S *	9/2019	Zhang	.....	D10/30
D860,988 S *	9/2019	Haapakoski	.....	D14/344

D865,543 S *	11/2019	Lumme	.....	D10/70
D868,778 S *	12/2019	Reivo	.....	D14/344
D868,779 S *	12/2019	Reivo	.....	D14/344
D874,955 S *	2/2020	Komulainen	.....	D10/70
D875,555 S *	2/2020	Komulainen	.....	D10/70

(Continued)

**OTHER PUBLICATIONS**

Polar Grit X, www.amazon.com, Apr. 16, 2020. <https://www.amazon.com/POLAR-Grit-Altitude-Military-Level-Durability/dp/B0876JGS7F?th=1> (Year: 2020).\*

(Continued)

*Primary Examiner* — Llorellys Martinez

*Assistant Examiner* — Kwabena A. Ankobiah

(74) *Attorney, Agent, or Firm* — FisherBroyles, LLP

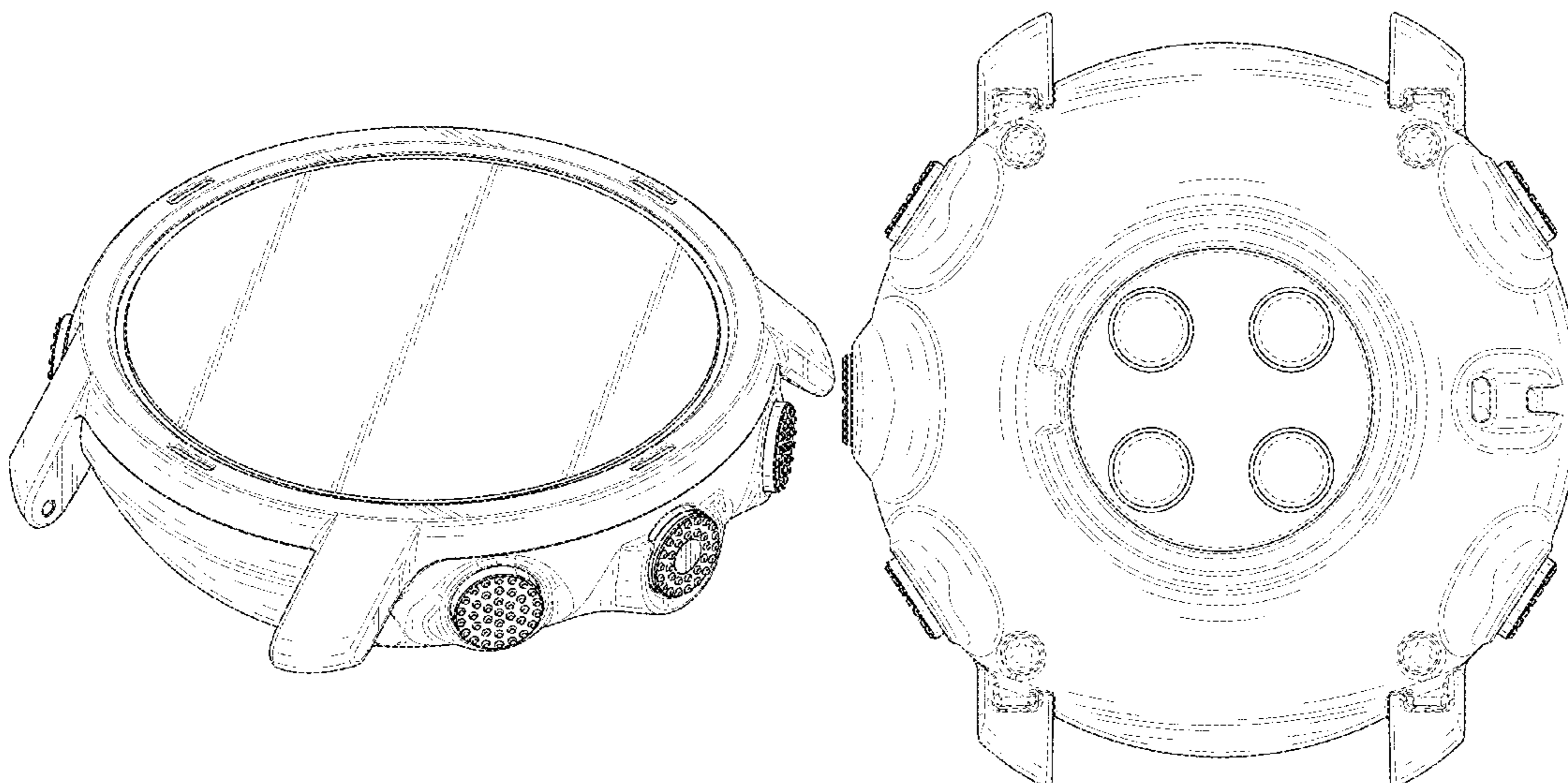
(57) **CLAIM**

The ornamental design for a wrist-worn physical activity measurement apparatus, as shown and described.

**DESCRIPTION**

FIG. 1 is a top perspective view of the wrist-worn physical activity measurement apparatus;  
FIG. 2 is a top plan view of the wrist-worn physical activity measurement apparatus;  
FIG. 3 is a first end view of the wrist-worn physical activity measurement apparatus;  
FIG. 4 is a first side view of the wrist-worn physical activity measurement apparatus;  
FIG. 5 is a second end view of the wrist-worn physical activity measurement apparatus;  
FIG. 6 is a second side view of the wrist-worn physical activity measurement apparatus; and,  
FIG. 7 is a bottom plan view of the body of the wrist-worn physical activity measurement apparatus.  
The broken lines in the drawings illustrate portions of the wrist-worn physical activity measurement apparatus that form no part of the claimed design.

**1 Claim, 7 Drawing Sheets**



(56)

**References Cited**

U.S. PATENT DOCUMENTS

D889,458	S	*	7/2020	Zheng	.....	D14/344
D890,750	S	*	7/2020	Reivo	.....	D14/344
D897,866	S	*	10/2020	Yamamoto	.....	D10/30
D940,704	S	*	1/2022	Weng	.....	D14/344
D944,100	S	*	2/2022	Register	.....	D10/128
D945,415	S	*	3/2022	Chao	.....	D14/344
D951,245	S	*	5/2022	Chung	.....	D14/344
D956,742	S	*	7/2022	Choi	.....	D14/344
D961,583	S	*	8/2022	Chung	.....	D14/344
D964,865	S	*	9/2022	Huang	.....	D10/32
2018/0259914	A1	*	9/2018	Chae	.....	G04G 17/04
2022/0146985	A1	*	5/2022	Wu	.....	G06F 1/1637
2022/0221825	A1	*	7/2022	Roush	.....	G04G 9/0035

OTHER PUBLICATIONS

Polar Grit X Outdoor GPS Sportswatch, [www.youtube.com](http://www.youtube.com), Apr. 22, 2020. <https://www.youtube.com/watch?v=nzuSLjvabrQ> (Year: 2020).\*

\* cited by examiner

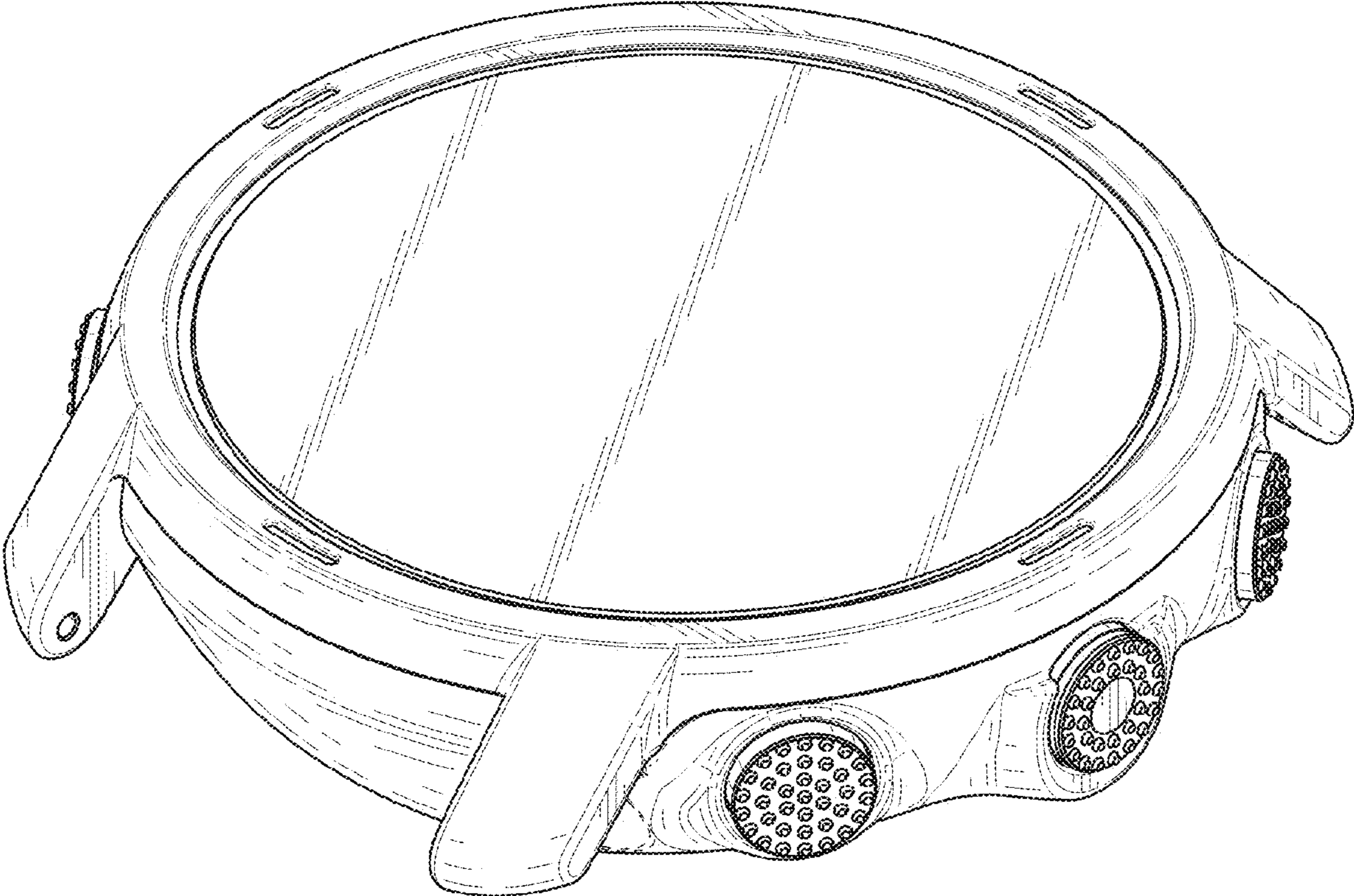


FIG. 1

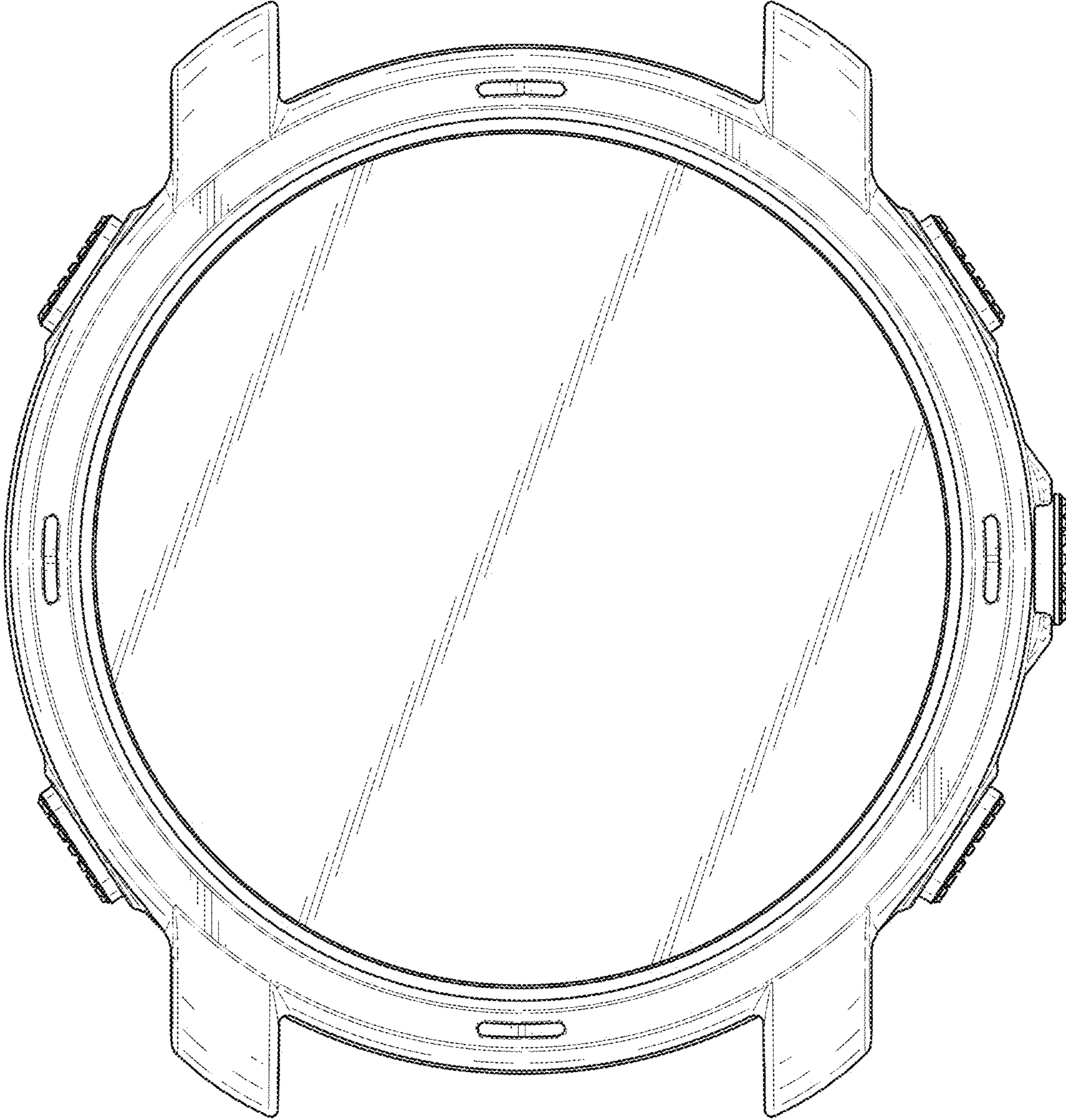


FIG. 2

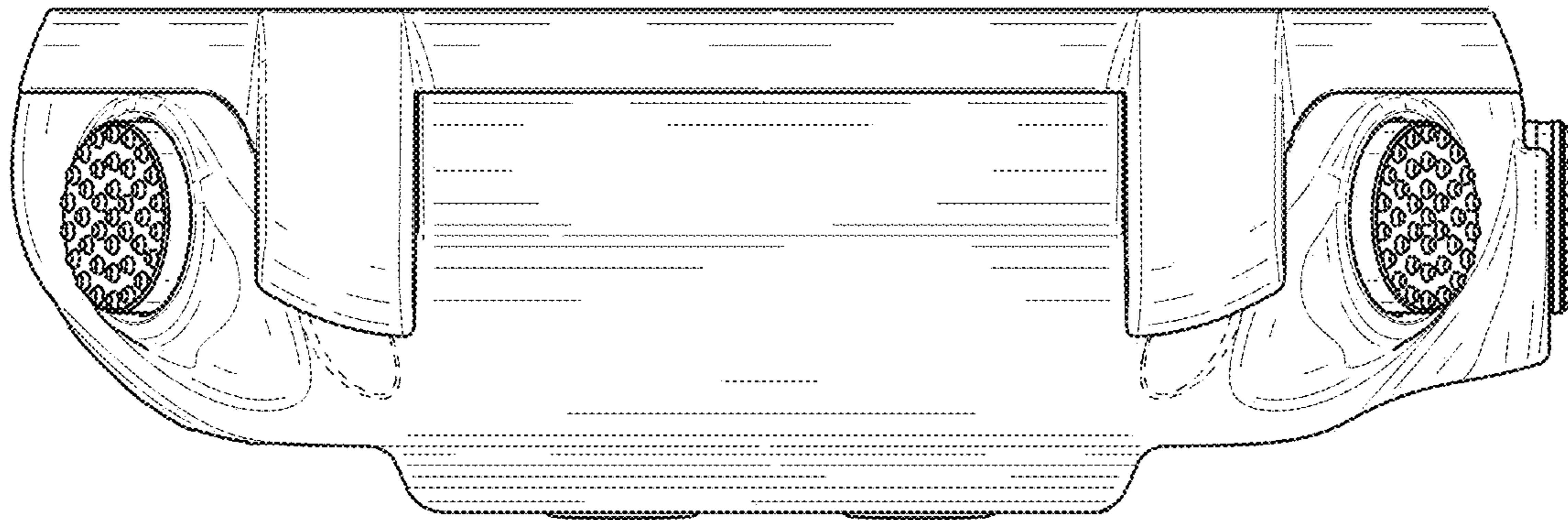


FIG. 3

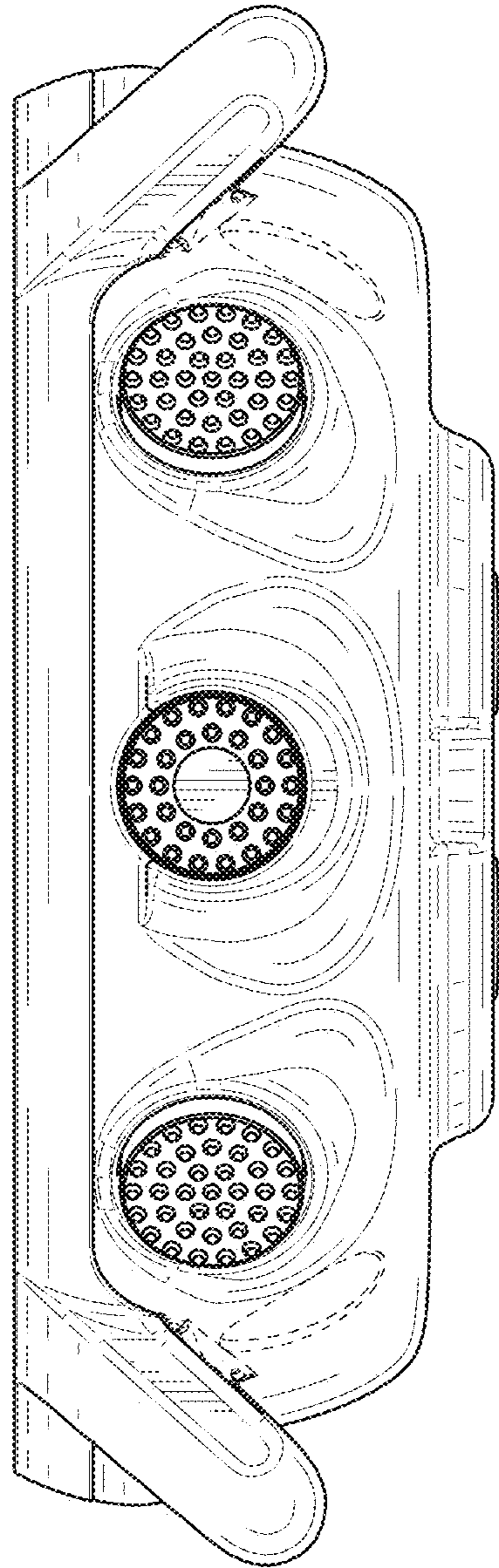


FIG. 4

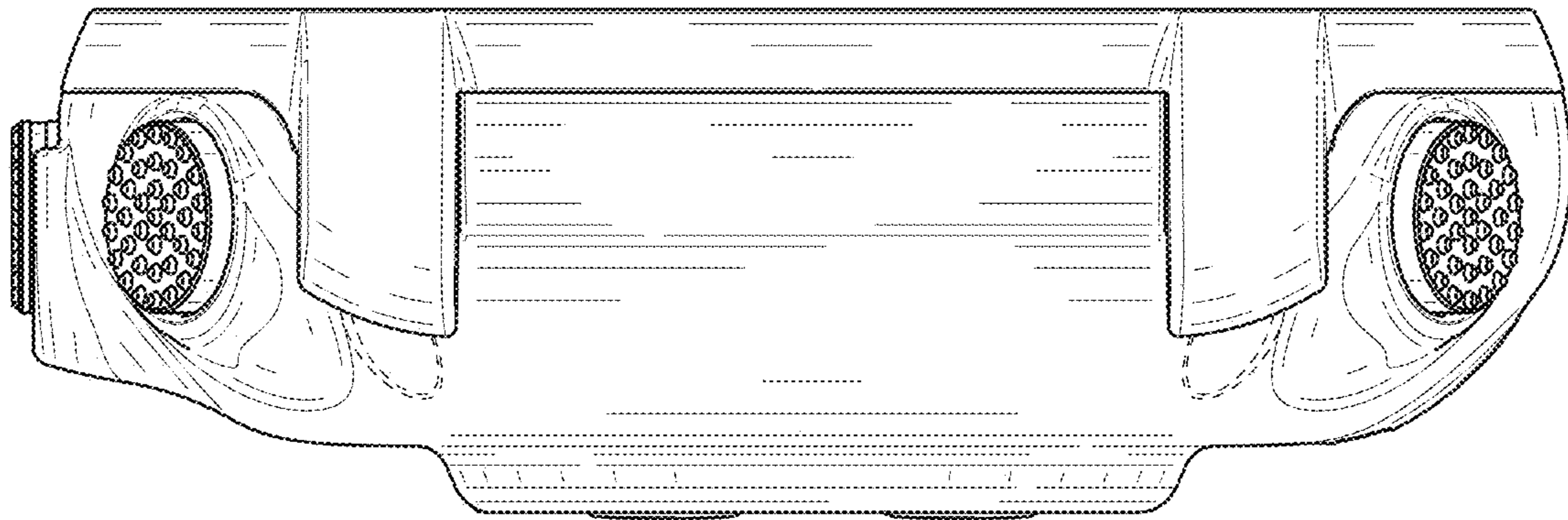


FIG. 5

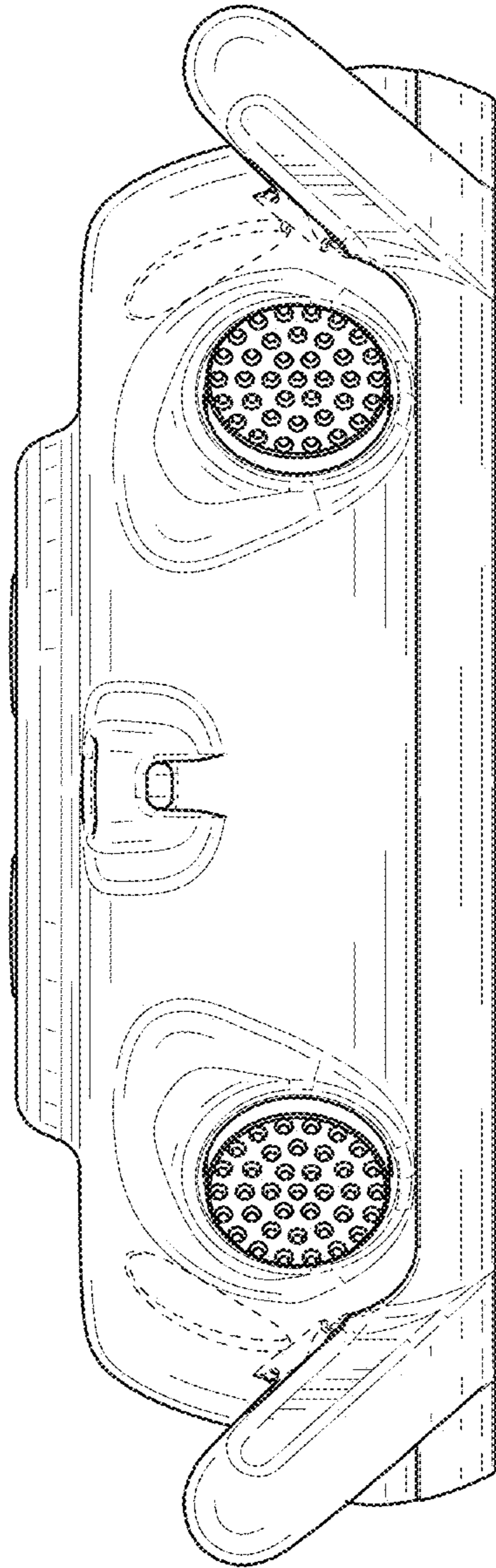


FIG. 6



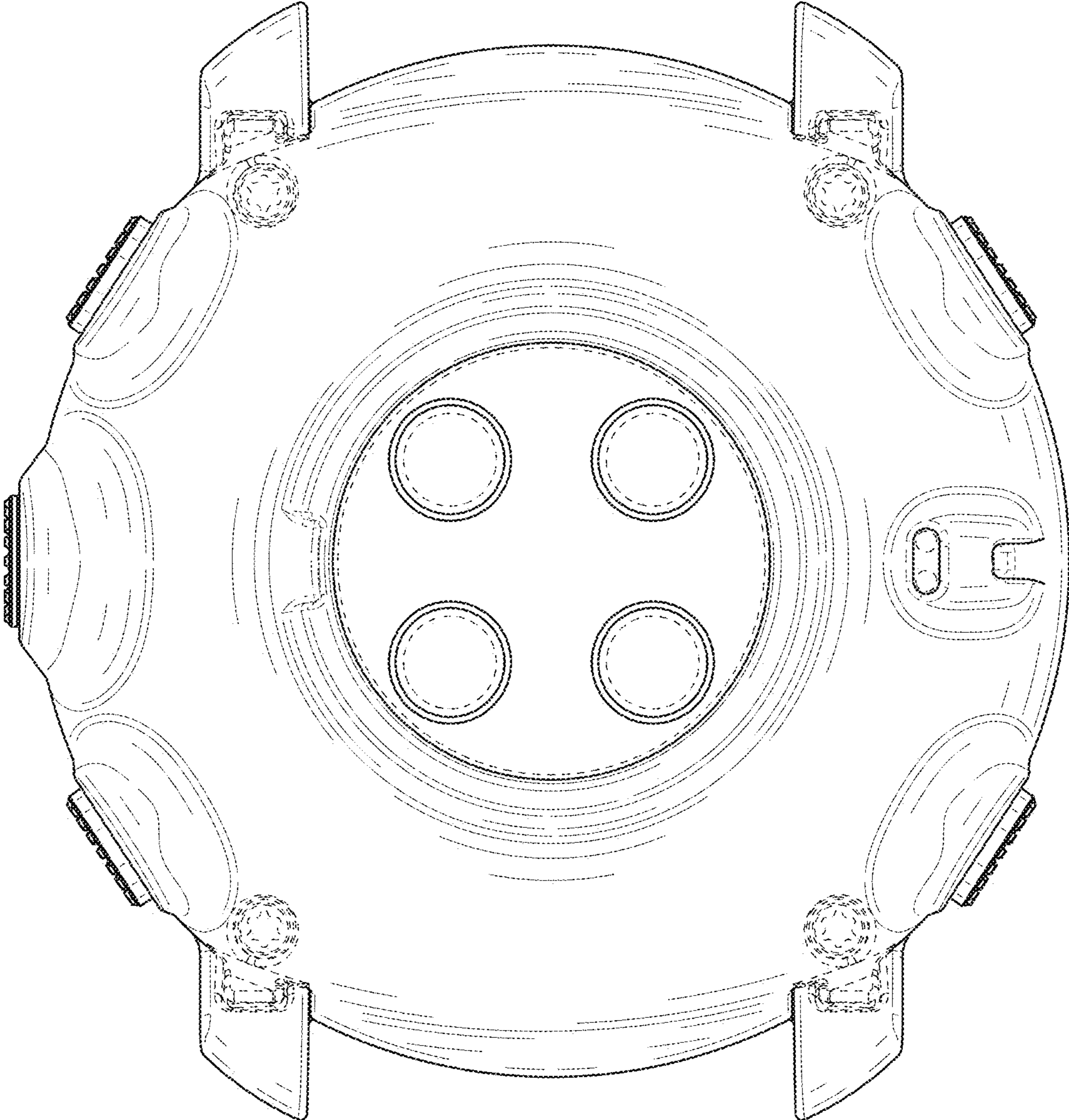


FIG. 7