



US00D978136S

(12) **United States Design Patent** (10) **Patent No.:** **US D978,136 S**
Lin (45) **Date of Patent:** **** Feb. 14, 2023**

(54) **BODY MACHINE**
(71) Applicant: **Shenzhen Hongkai Trading Co., Ltd.,**
Shenzhen (CN)
(72) Inventor: **Huahui Lin,** Shenzhen (CN)
(73) Assignee: **Shenzhen Hongkai Trading Co., Ltd.,**
Shenzhen (CN)

D900,089 S *	10/2020	Harris	D14/307
D900,804 S *	11/2020	Mugica	D14/307
D904,394 S *	12/2020	Friedli	D14/307
D918,193 S *	5/2021	Fredette	D14/307
D922,369 S *	6/2021	Hirvesaar	D14/307
D937,823 S *	12/2021	Ahn	D14/307
D940,879 S *	1/2022	Ryu	D24/185
D947,846 S *	4/2022	Chandrasekaran	D14/384
D963,870 S *	9/2022	Careless	D24/200
D972,552 S *	12/2022	Son	D14/307
D972,553 S *	12/2022	Son	D14/307

(**) Term: **15 Years**

* cited by examiner

(21) Appl. No.: **29/847,294**

Primary Examiner — Austin Murphy

(22) Filed: **Jul. 22, 2022**

(74) *Attorney, Agent, or Firm* — Nitin Kaushik

(51) **LOC (14) Cl.** **14-02**

(57) **CLAIM**

(52) **U.S. Cl.**
USPC **D14/307**

The ornamental design for a body machine, as show and described.

(58) **Field of Classification Search**
USPC D14/302–307, 900–902; D13/163;

DESCRIPTION

D20/10; D21/332, 325, 369, 370;
D99/28; D6/397, 466; 194/206;
361/679.01, 679.02, 679.04, 679.21,
361/679.57, 725

FIG. 1 is a front perspective view of a body machine, showing my new design;
FIG. 2 is a front view thereof;
FIG. 3 is a rear view thereof;
FIG. 4 is a left side view thereof;
FIG. 5 is a right side view thereof;
FIG. 6 is a top view thereof; and,
FIG. 7 is a bottom view thereof.

CPC G06Q 20/18; G06Q 20/10; G06Q 20/123;
G06Q 20/20; G06Q 30/02; G06Q 30/06;
A47F 9/047

See application file for complete search history.

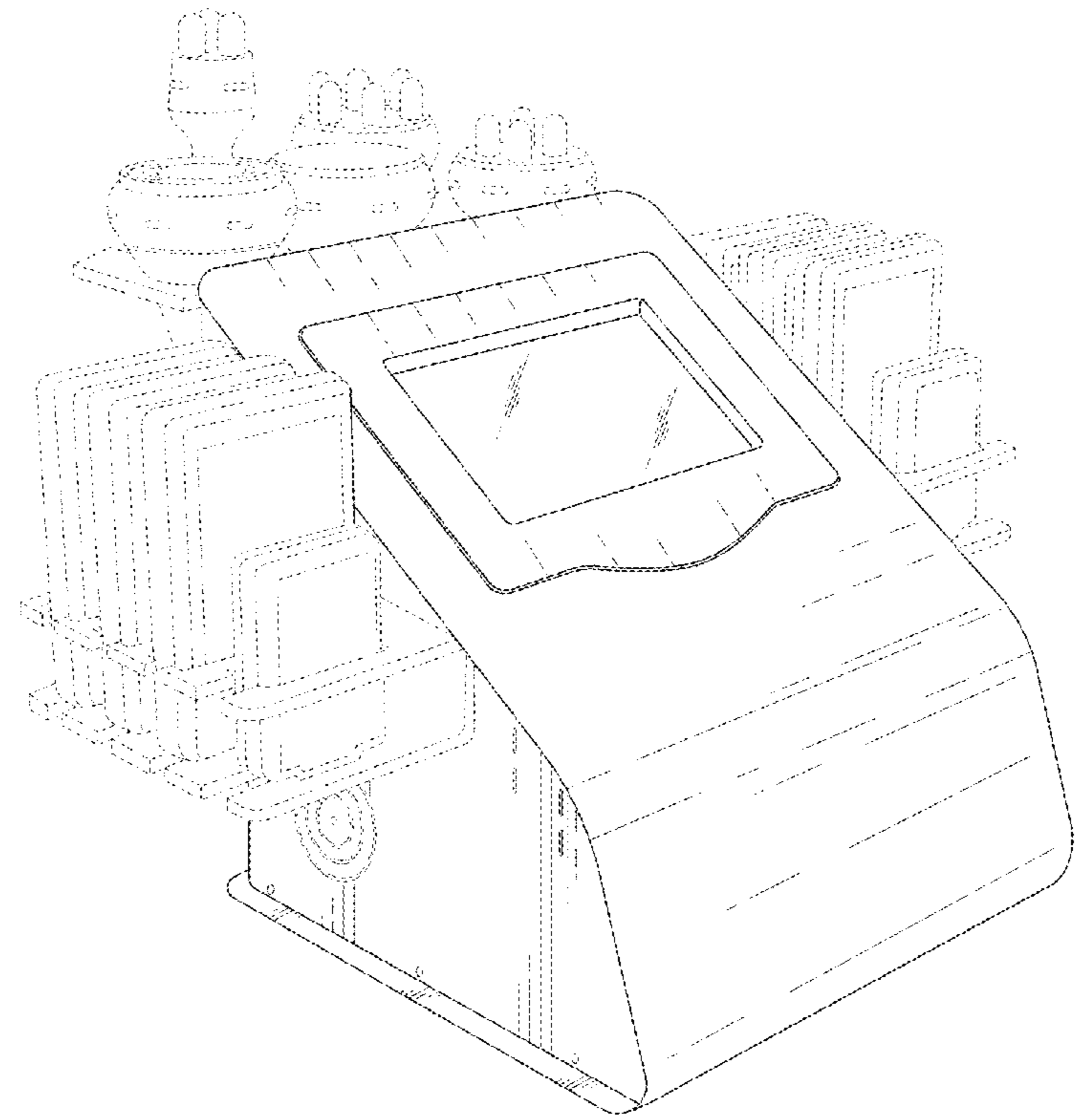
The broken lines in the drawings illustrate the portions of the body machine, which form no part of the claimed design.

(56) **References Cited**

U.S. PATENT DOCUMENTS

D864,193 S *	10/2019	Oosawa	D14/307
D888,705 S *	6/2020	Saito	D14/307

1 Claim, 7 Drawing Sheets



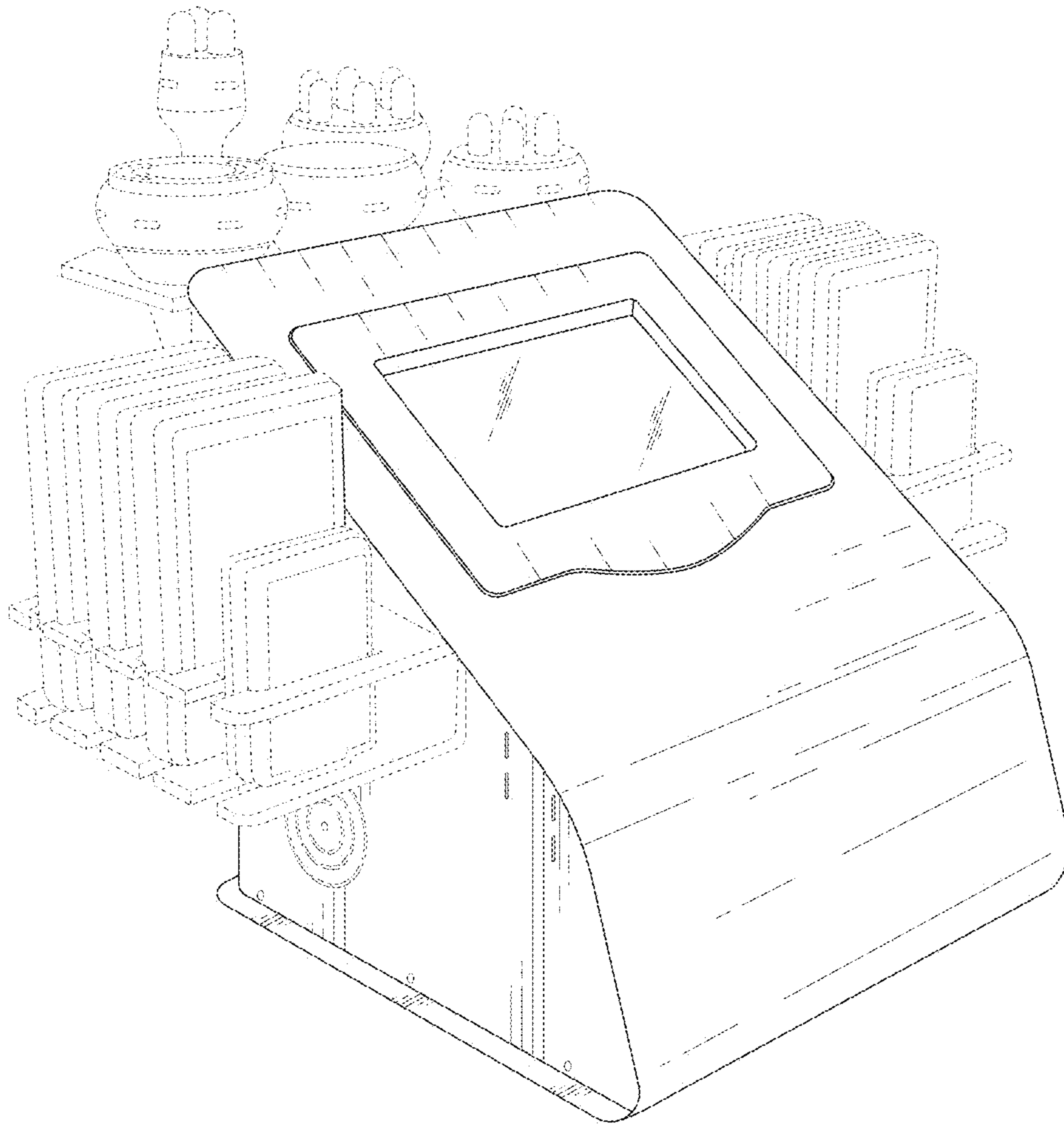


FIG. 1

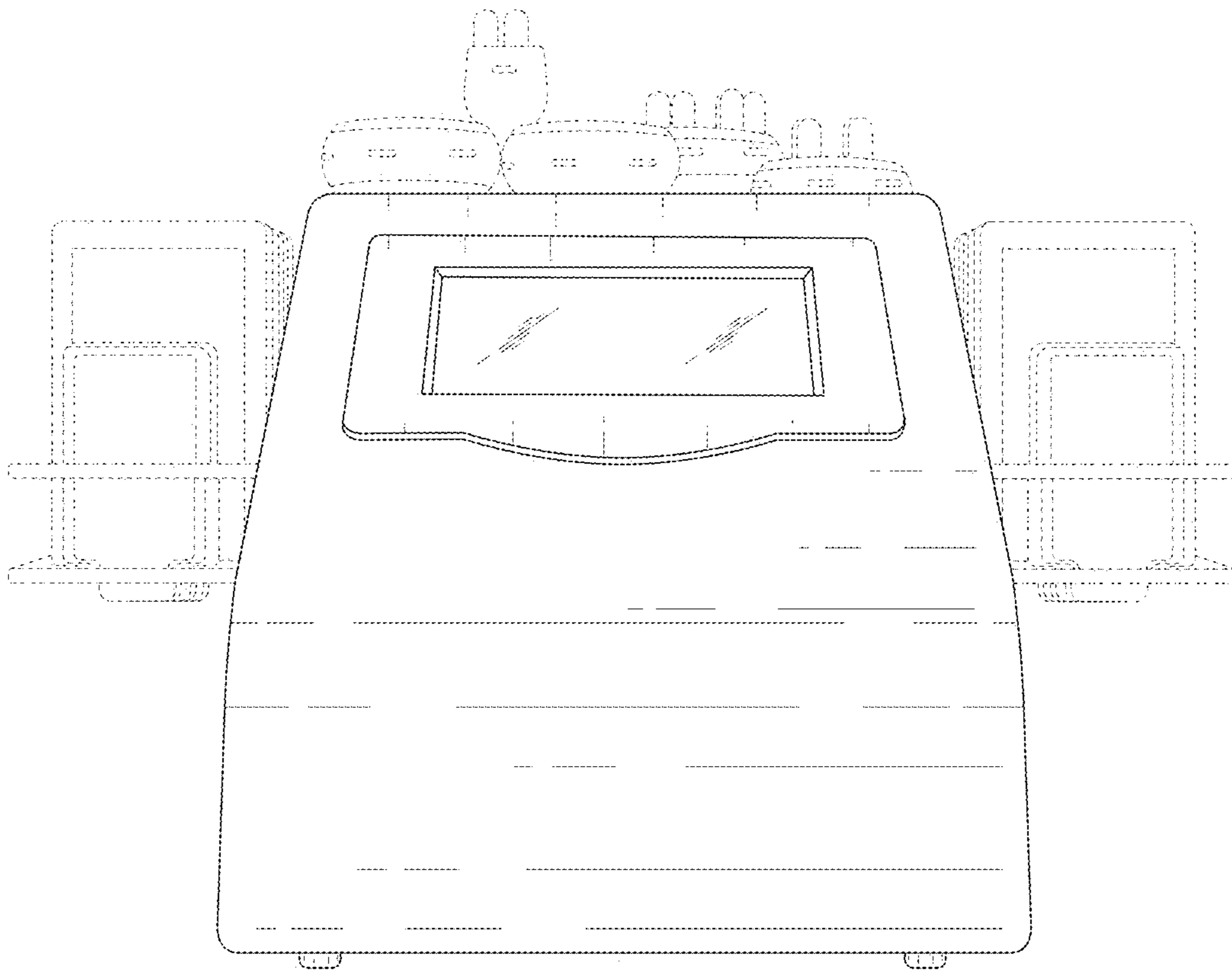


FIG. 2

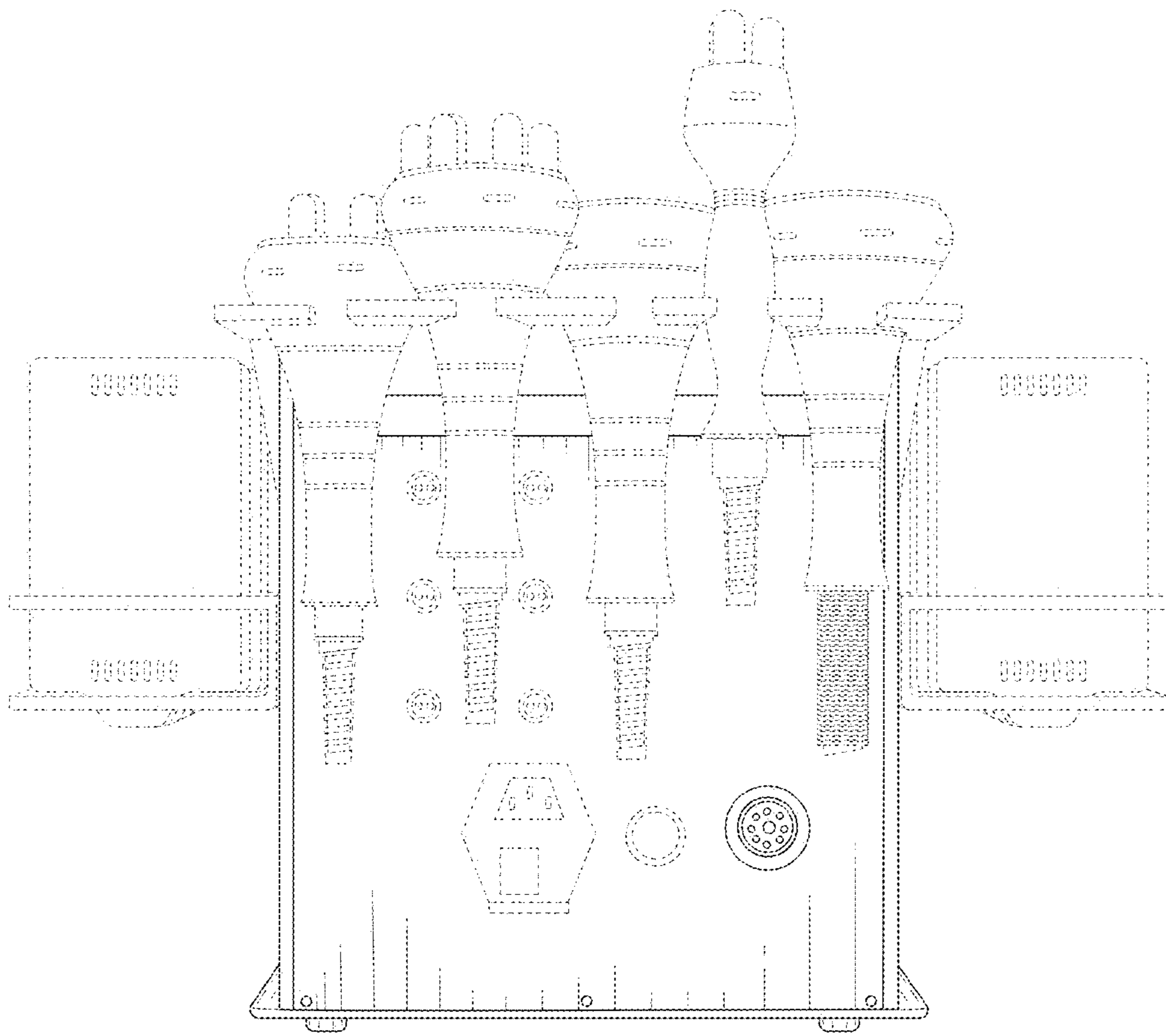


FIG. 3

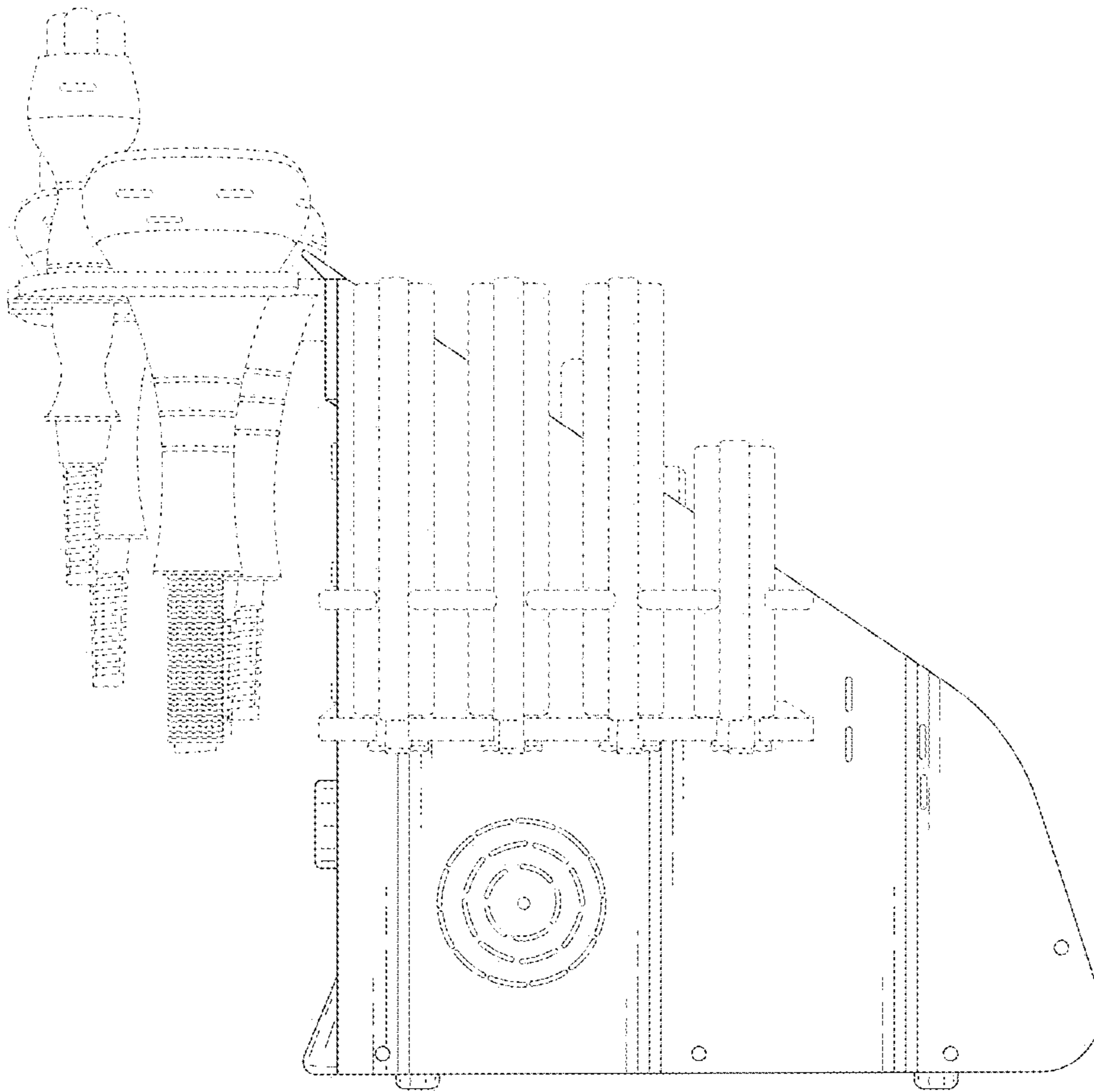


FIG. 4

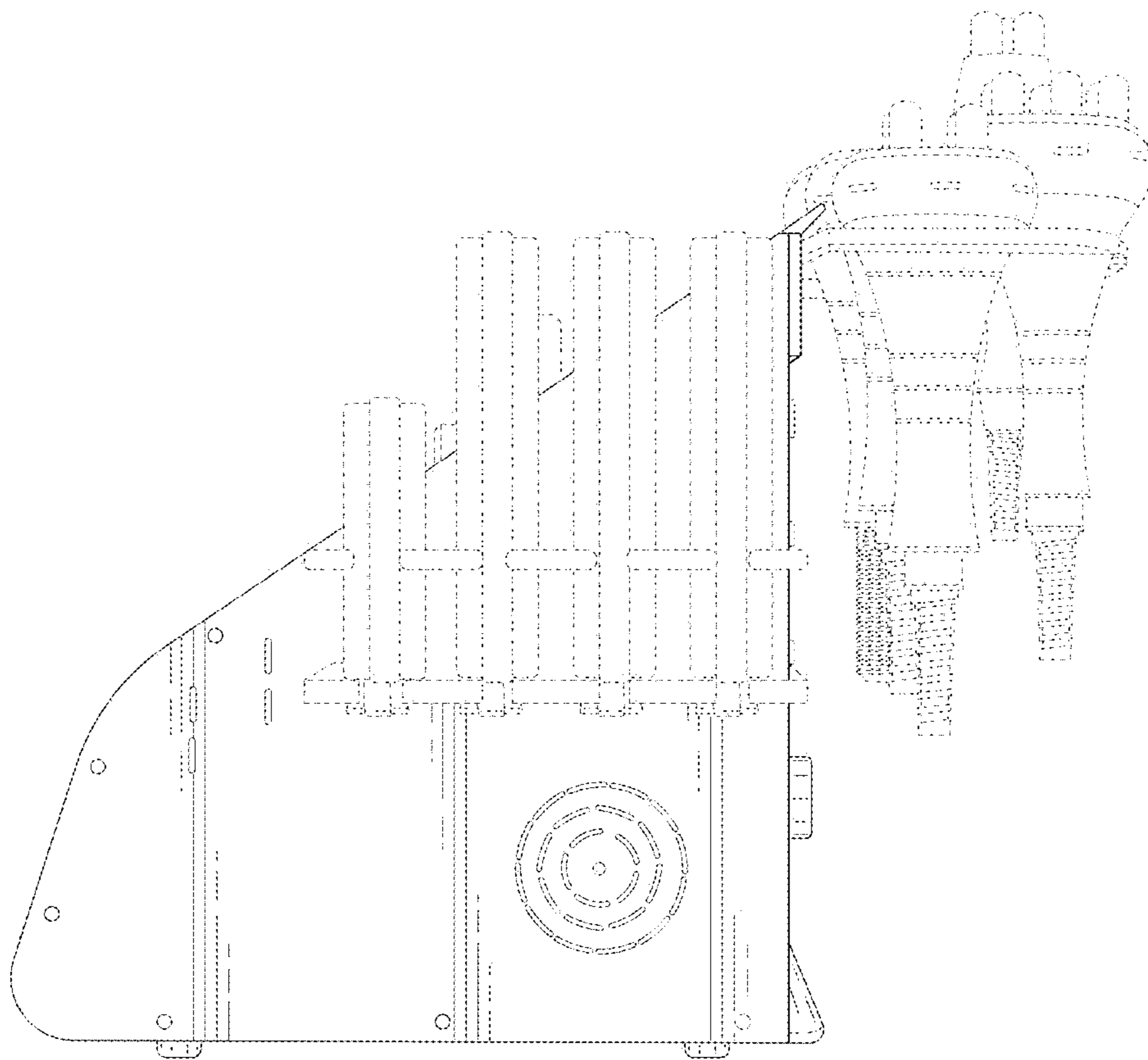


FIG. 5

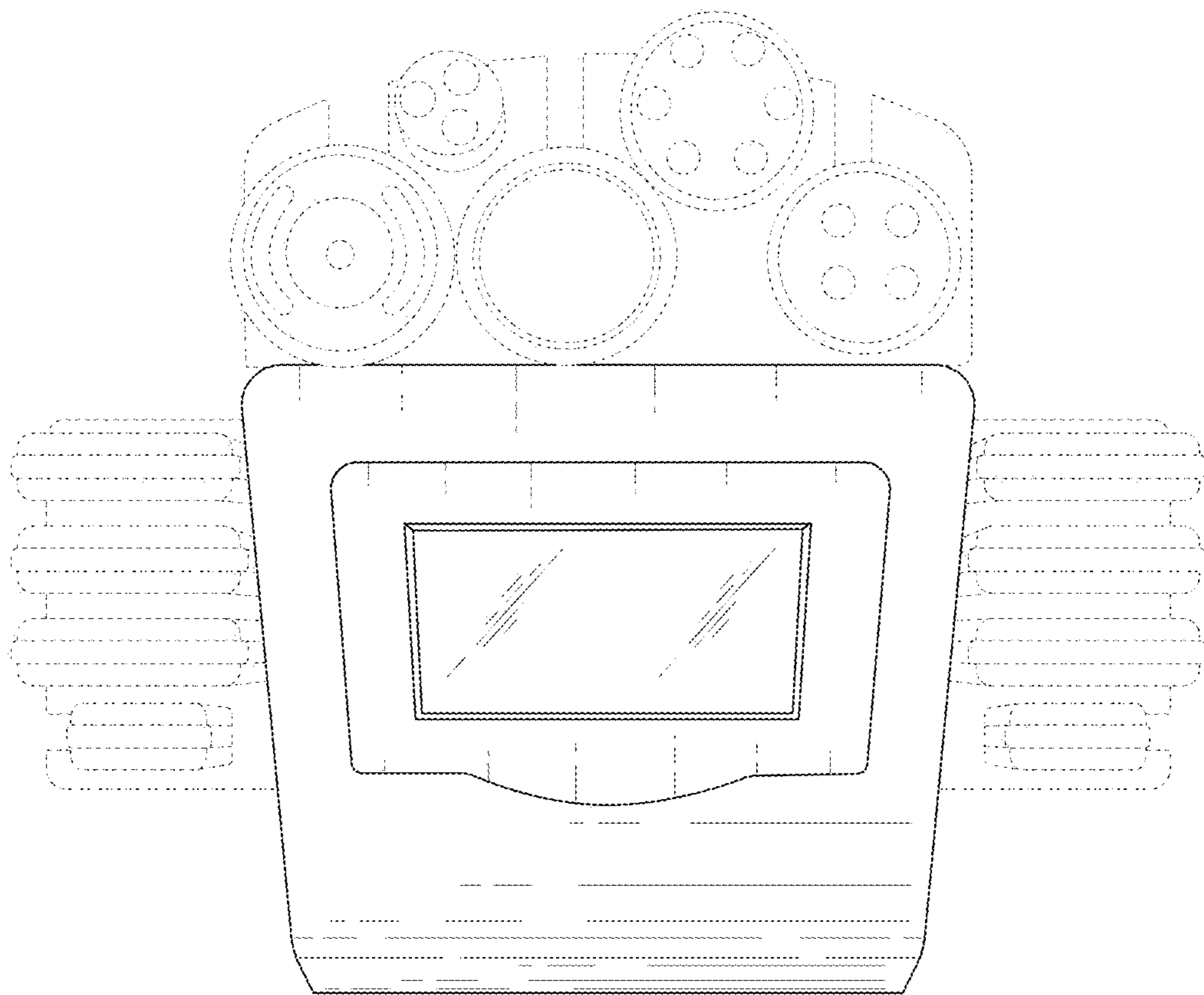


FIG. 6

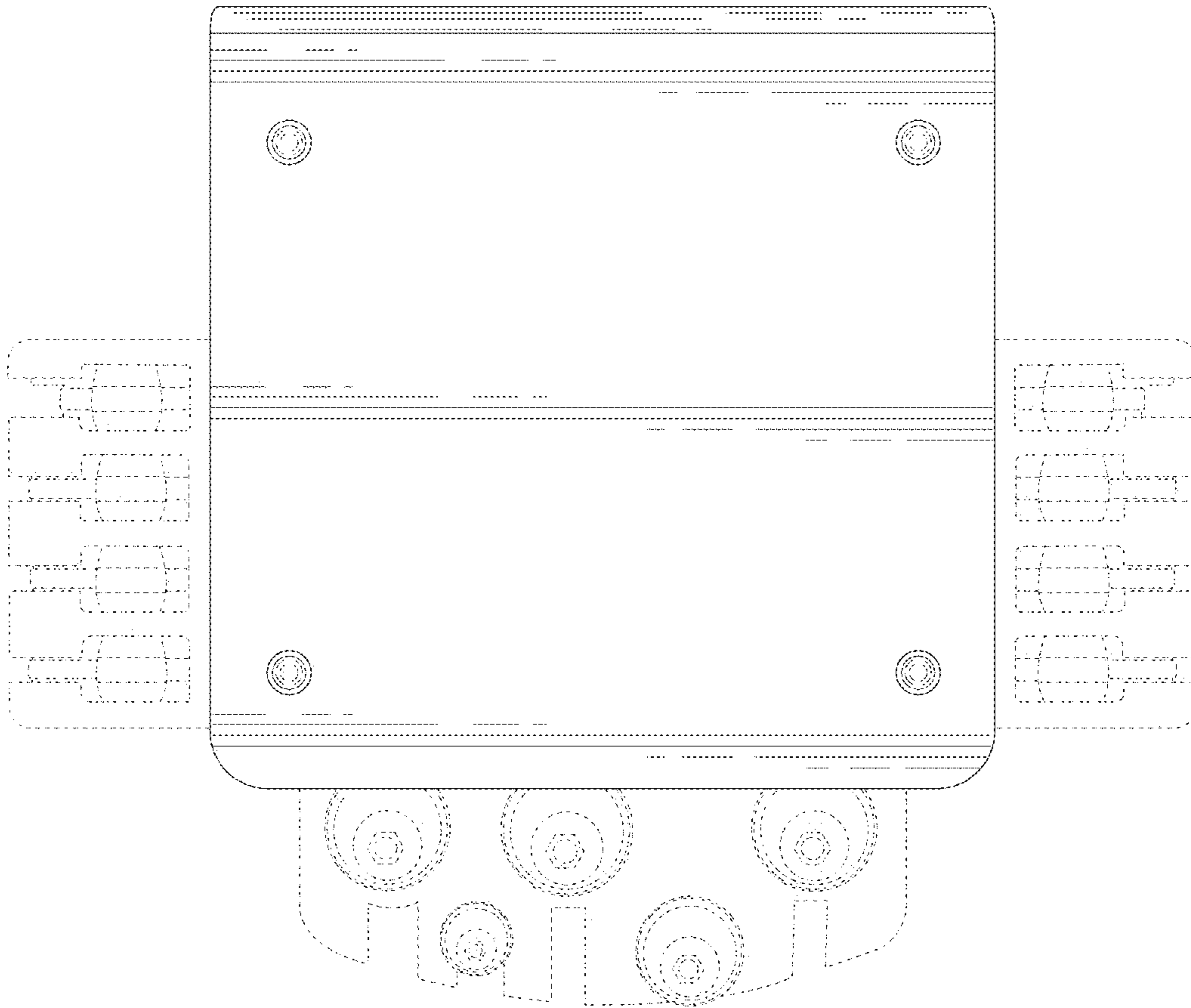


FIG. 7