



US00D978134S

(12) **United States Design Patent**
Puspitasari

(10) **Patent No.:** **US D978,134 S**
(45) **Date of Patent:** **** Feb. 14, 2023**

(54) **FISHING BAIT CELLULAR PHONE HOLDER**

(71) Applicant: **Marklyn Group, Inc.**, Brampton (CA)

(72) Inventor: **Betharia Puspitasari**, Bandung (ID)

(73) Assignee: **MARKLYN GROUP INC.**, Brampton (CA)

(**) Term: **15 Years**

(21) Appl. No.: **29/807,570**

(22) Filed: **Sep. 13, 2021**

(51) **LOC (14) Cl.** **14-03**

(52) **U.S. Cl.**
USPC **D14/253**

(58) **Field of Classification Search**
USPC D14/251–253, 447, 217, 440; D12/415
CPC H04M 1/04; H04M 1/06; H04M 1/12;
H04M 1/6075; B60R 2011/0059; B60R
11/0252; A47B 2023/049; A45F
2200/0516; A45F 2200/0525; A45C
2011/002; A45C 2011/003; A45C
2013/025

See application file for complete search history.

(56) **References Cited**

U.S. PATENT DOCUMENTS

D242,795 S	*	12/1976	Davis	D22/133
D269,862 S	*	7/1983	Meyer	D11/82
D299,046 S	*	12/1988	Cunningham	D22/128
D382,226 S	*	8/1997	Howard	D11/100
D395,545 S	*	6/1998	Crim, Jr.	D3/218
D488,972 S	*	4/2004	Kelleghan	D8/38
D498,433 S	*	11/2004	Weiser	D11/158
D510,756 S	*	10/2005	Steekelberg	D22/133
D661,773 S	*	6/2012	Rago	D22/133
D662,172 S	*	6/2012	Rago	D22/131
D669,462 S	*	10/2012	Avrahami	D14/253

D670,772 S	*	11/2012	Lo	D21/599
D682,283 S	*	5/2013	Tak	D14/447
D687,428 S	*	8/2013	Kim	D14/253
D688,656 S	*	8/2013	Avrahami	D14/253
D715,803 S	*	10/2014	Major	D14/447
D724,280 S	*	3/2015	Diskin	D30/160
D725,227 S	*	3/2015	Beaubien	D22/128
D745,633 S	*	12/2015	Rago	D22/129
D748,615 S	*	2/2016	Lee	D14/251
D752,055 S	*	3/2016	Aryeh	D14/447
D783,593 S	*	4/2017	Chen	D14/253
D792,416 S	*	7/2017	Tsai	D14/447
D802,404 S	*	11/2017	Turksu	D12/415
D807,339 S	*	1/2018	Lan	D14/253
D820,247 S	*	6/2018	Ahn	D14/253
D820,248 S	*	6/2018	Ahn	D14/253
D823,847 S	*	7/2018	Lebovitz	D14/253
D831,661 S	*	10/2018	Yao	D14/447
D849,012 S	*	5/2019	Yao	D14/447
D852,924 S	*	7/2019	Want	D22/126
D874,385 S	*	2/2020	Jang	D12/415
D877,741 S	*	3/2020	Leeds-Frank	D14/447

(Continued)

Primary Examiner — Janice Hallmark

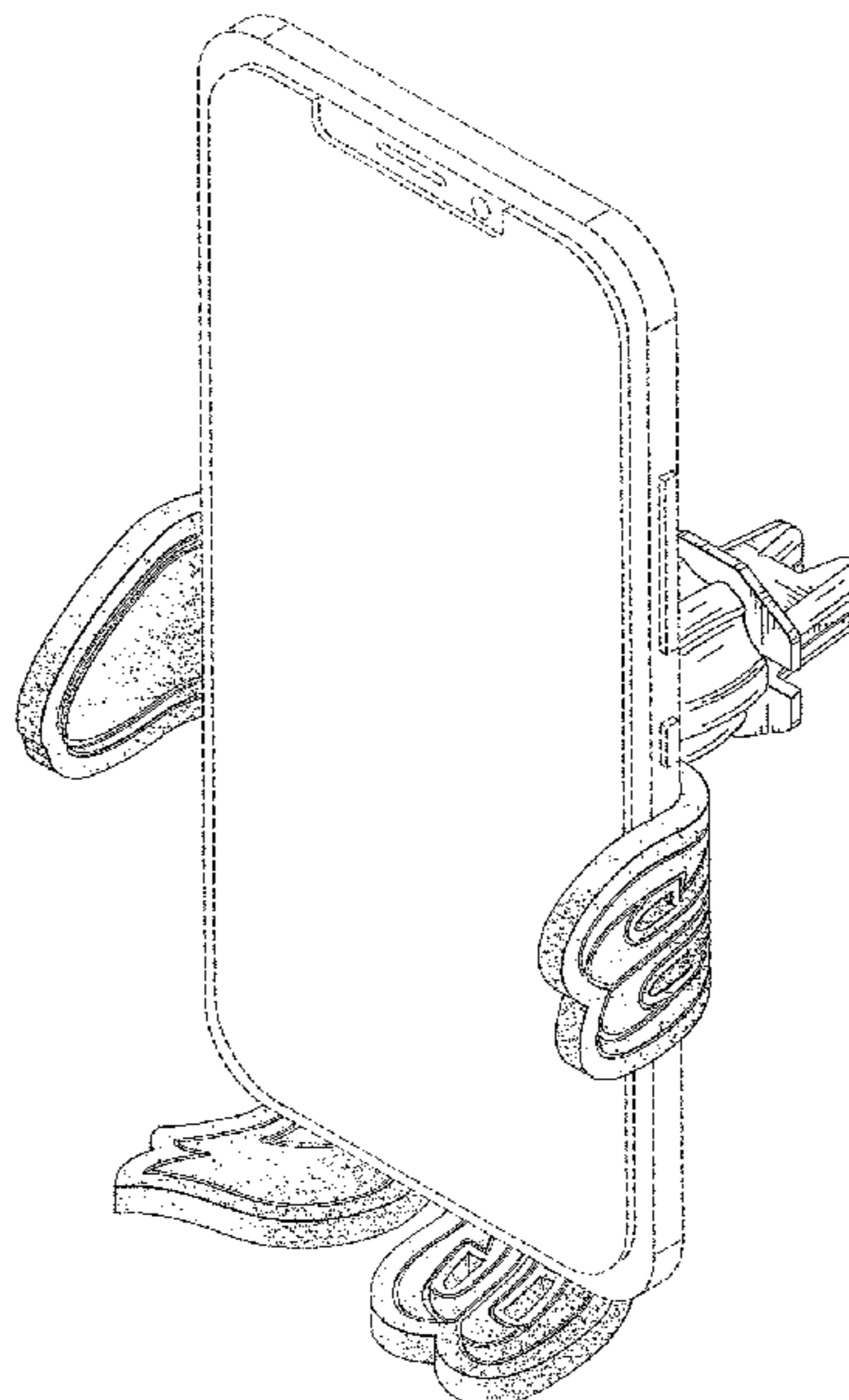
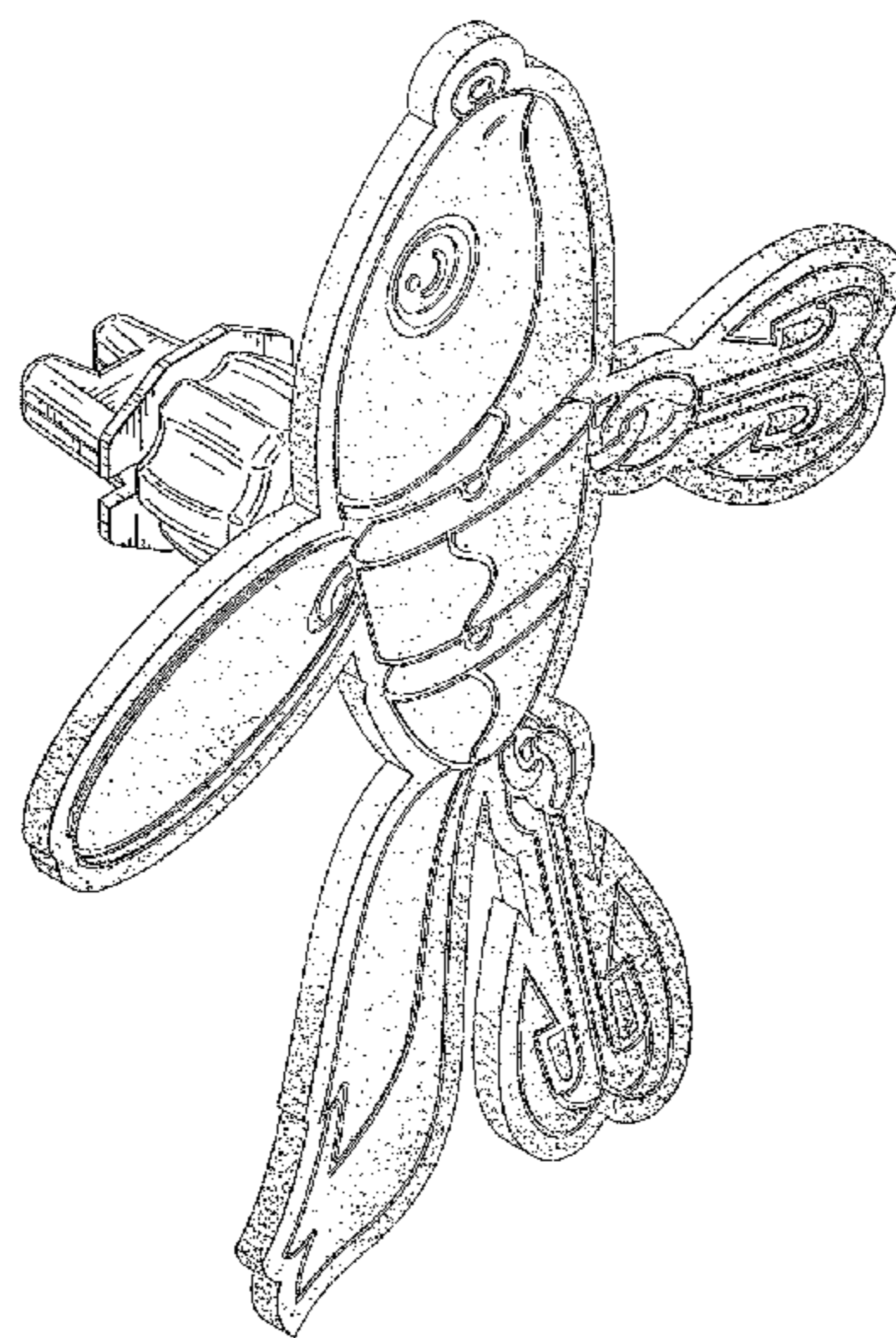
(57) **CLAIM**

The ornamental design for a fishing bait cellular phone holder, as shown.

DESCRIPTION

FIG. 1 is a front perspective view of a fishing bait cellular phone holder showing our new design; FIG. 2 is a front elevational view thereof; FIG. 3 is a side elevational view thereof; FIG. 4 is a back elevational view thereof; and, FIG. 5 is a front perspective view of the fishing bait cellular phone holder of FIG. 1 shown in an alternate position of use with a cellular phone being held therein. The broken lines illustrate unclaimed environment and form no part of the claimed design.

1 Claim, 5 Drawing Sheets



(56)

References Cited

U.S. PATENT DOCUMENTS

D881,893 S *	4/2020	Zanxiang	D14/440
D888,703 S *	6/2020	Liao	D14/253
D892,711 S *	8/2020	Xiong	D12/420
D893,471 S *	8/2020	Liao	D12/415
D894,891 S *	9/2020	Zhang	D12/415
D920,888 S *	6/2021	Miao	D12/415
D950,475 S *	5/2022	Xu	D12/415
D955,376 S *	6/2022	Li	D14/253
2017/0170858 A1 *	6/2017	Tiller	H04B 1/3877

* cited by examiner

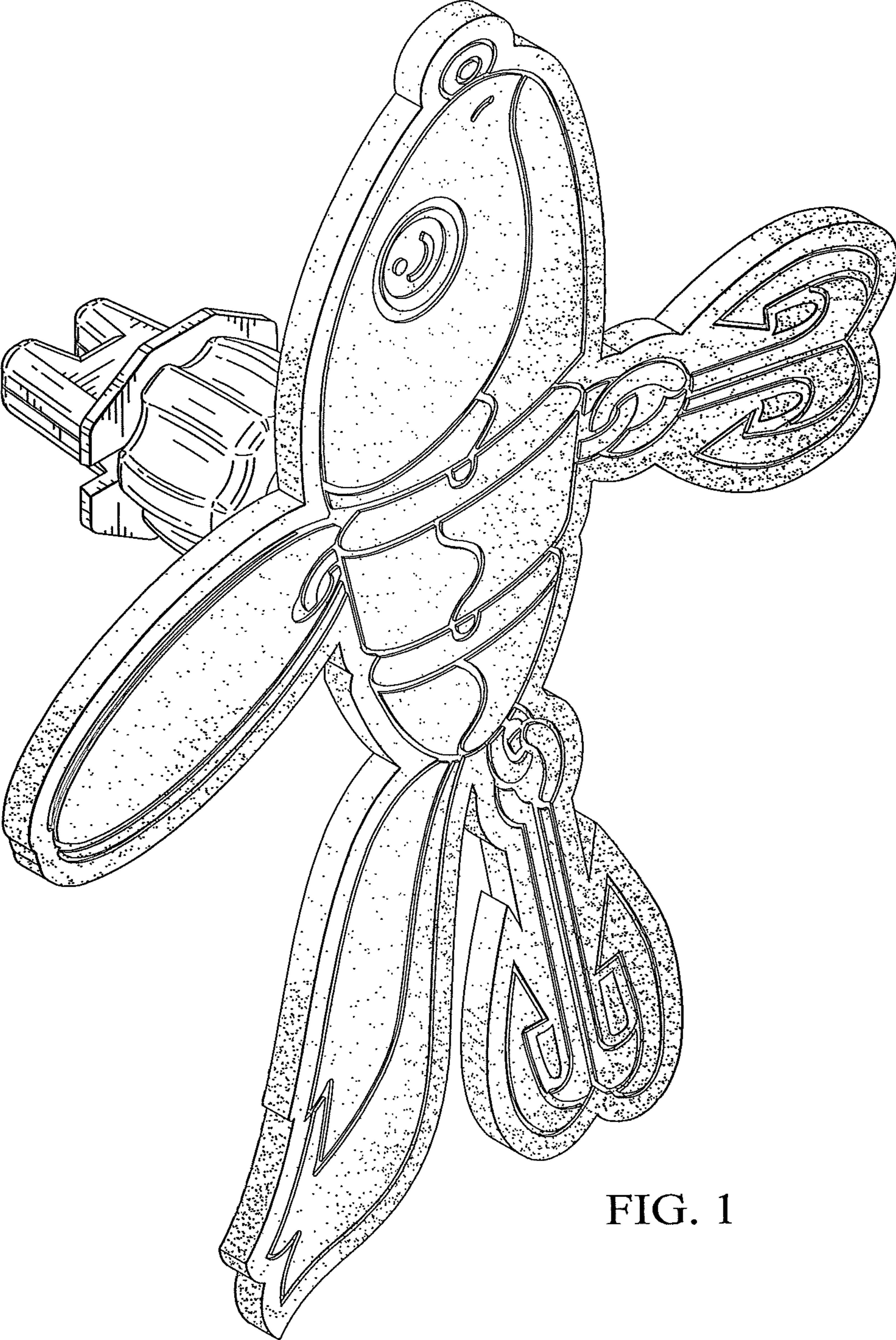


FIG. 1

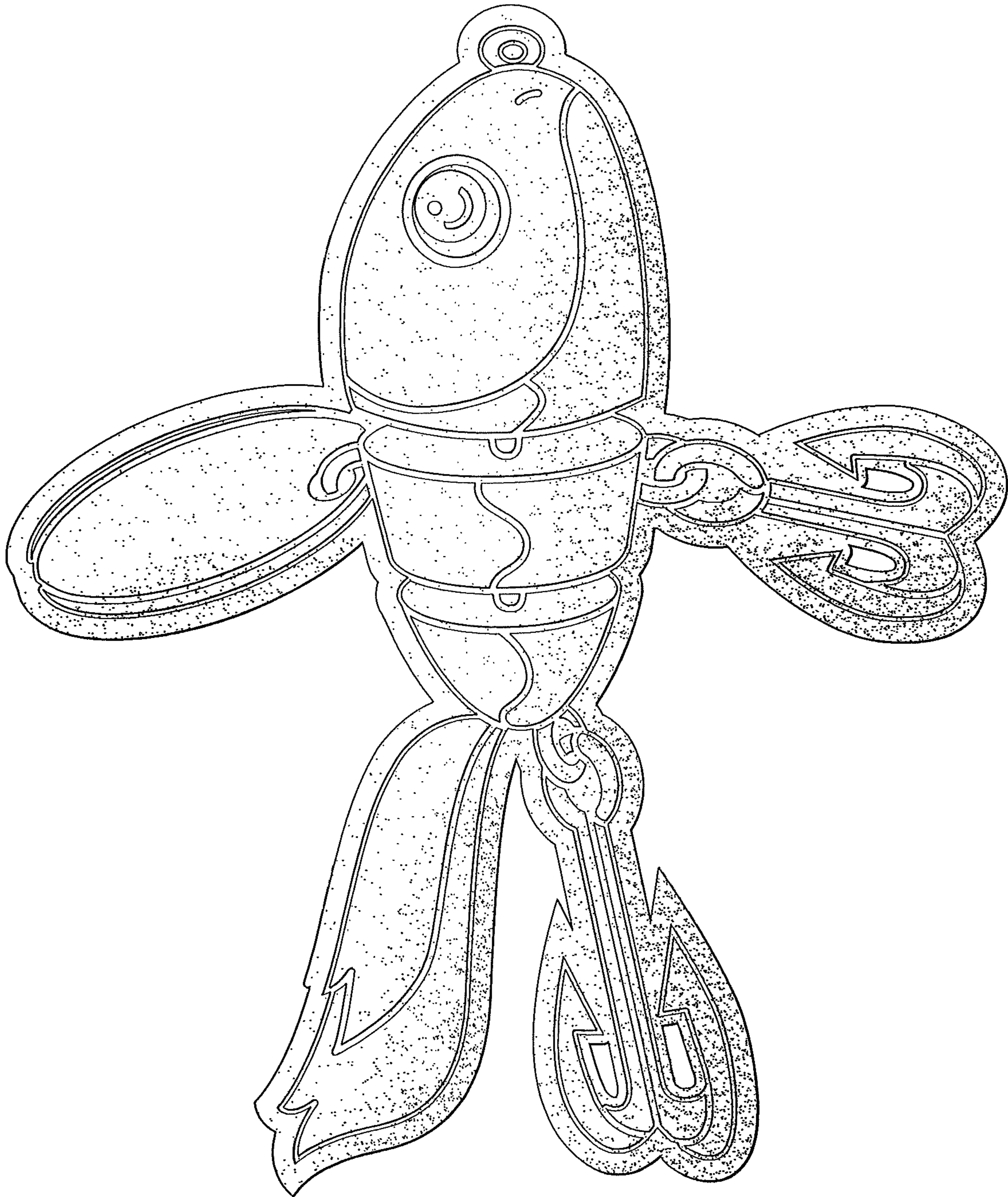


FIG. 2

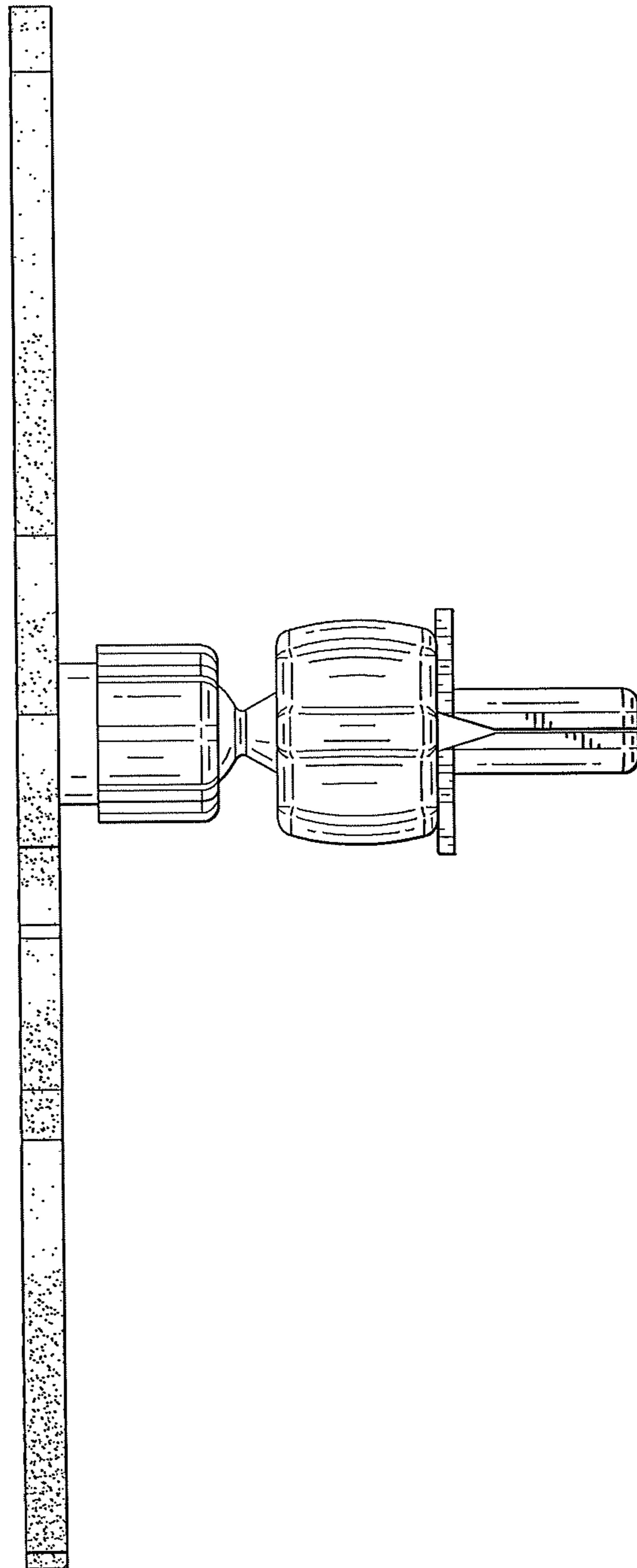


FIG. 3

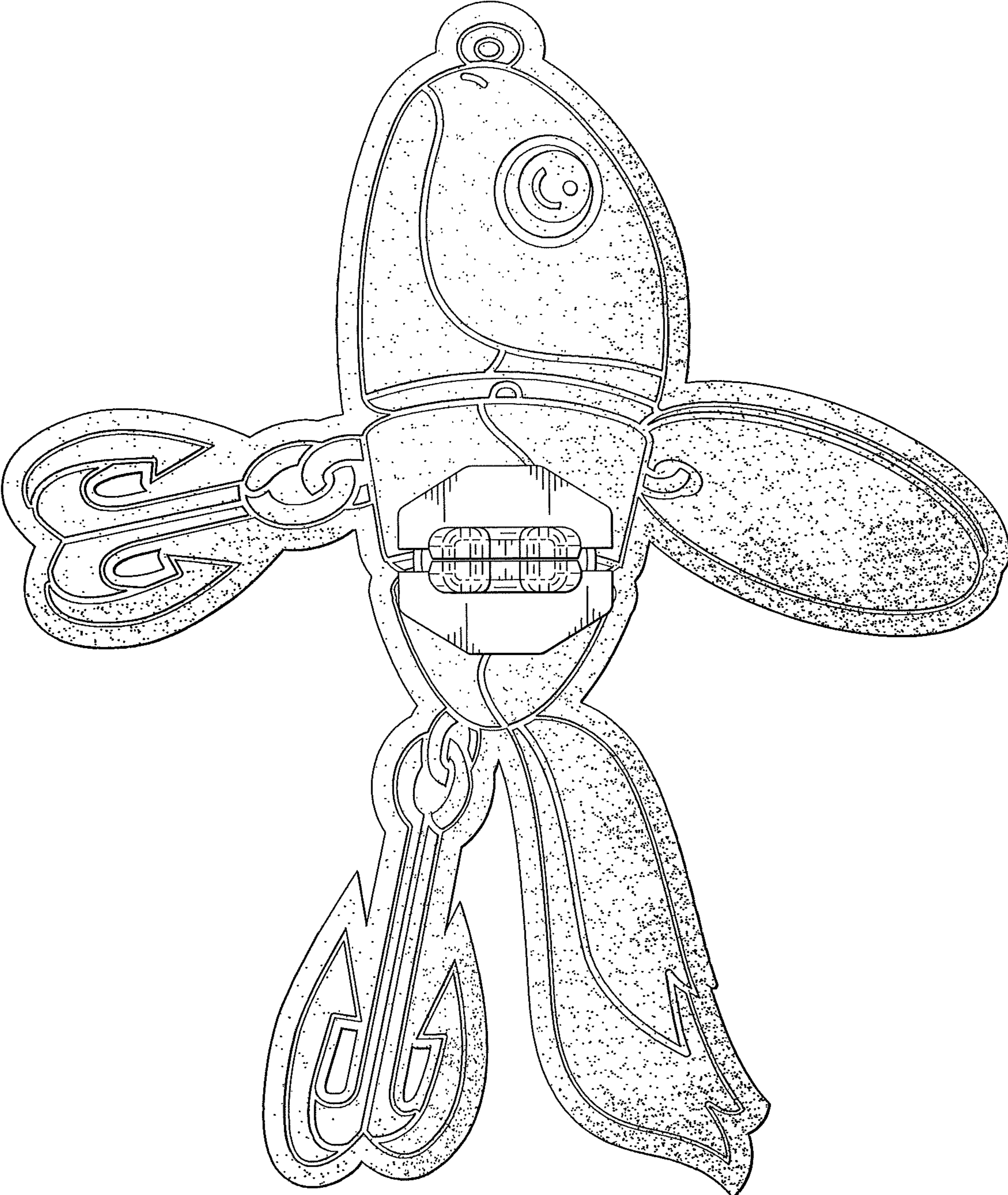


FIG. 4

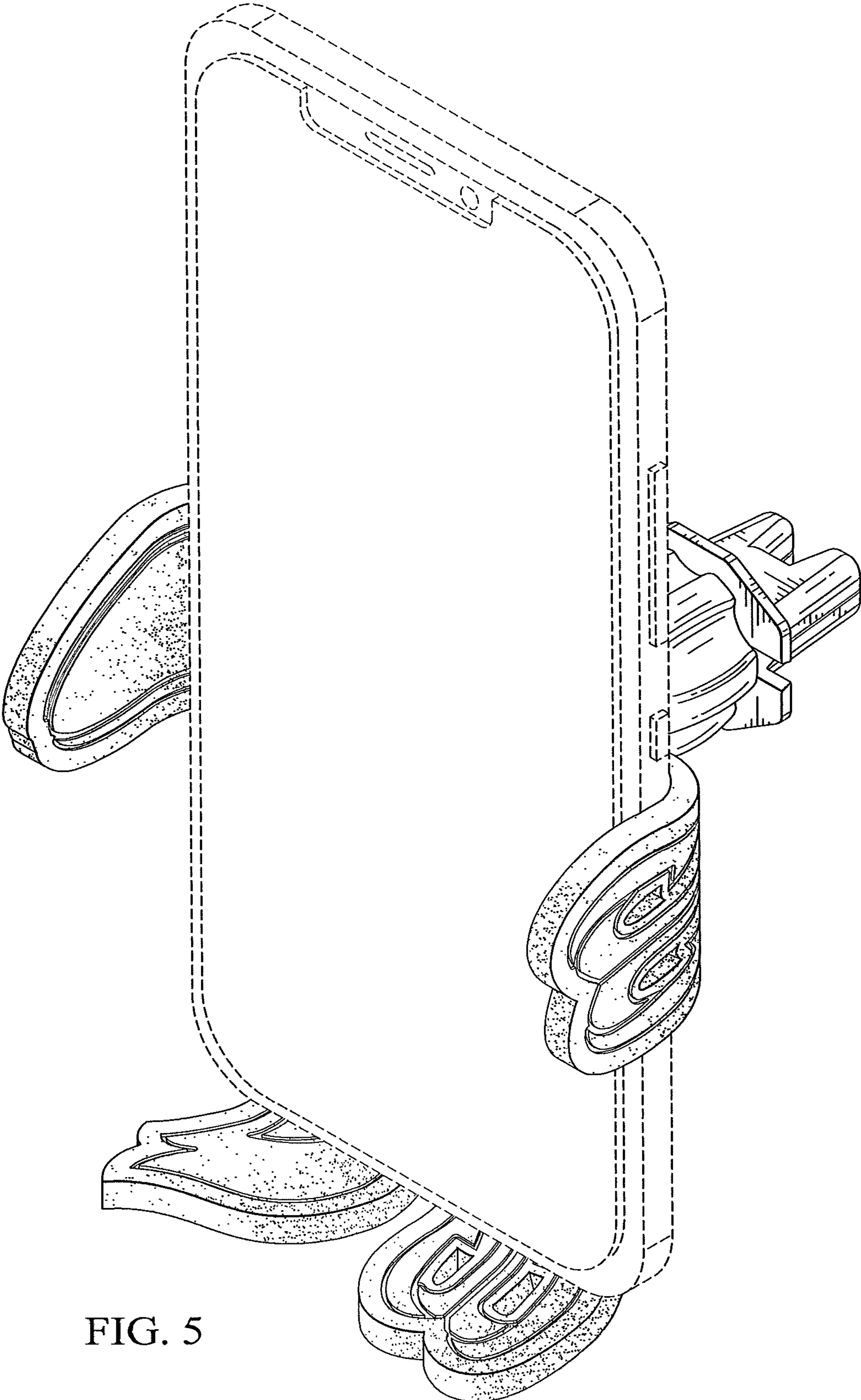


FIG. 5