



US00D978133S

(12) **United States Design Patent**
Cardona

(10) **Patent No.:** **US D978,133 S**
(45) **Date of Patent:** **** Feb. 14, 2023**

(54) **SKULL CELLULAR PHONE HOLDER**
(71) Applicant: **Marklyn Group, Inc.**, Brampton (CA)
(72) Inventor: **Sebastian Sanchez Cardona**, Cali (CO)
(73) Assignee: **MARKLYN GROUP INC.**, Brampton (CA)
(**) Term: **15 Years**
(21) Appl. No.: **29/807,554**

(22) Filed: **Sep. 13, 2021**
(51) **LOC (14) Cl.** **14-03**
(52) **U.S. Cl.**
USPC **D14/253**
(58) **Field of Classification Search**
USPC D14/251-253, 447, 217, 440; D12/415
CPC H04M 1/04; H04M 1/06; H04M 1/12;
H04M 1/6075; B60R 2011/0059; B60R
11/0252; A47B 2023/049; A45F
2200/0516; A45F 2200/0525; A45C
2011/002; A45C 2011/003; A45C
2013/025
See application file for complete search history.

(56) **References Cited**

U.S. PATENT DOCUMENTS

D286,652 S *	11/1986	Fisher	D19/62
D338,005 S *	8/1993	Sieden	D14/143
D395,545 S *	6/1998	Crim, Jr.	D3/218
D439,544 S *	3/2001	Thill	D11/160
D468,230 S *	1/2003	Weiser	D11/128
D669,462 S *	10/2012	Avrahami	D14/253
D682,283 S *	5/2013	Tak	D14/447
D687,428 S *	8/2013	Kim	D14/253
D688,656 S *	8/2013	Avrahami	D14/253
D715,803 S *	10/2014	Major	D14/447
D719,948 S *	12/2014	Dong	D14/250
D748,615 S *	2/2016	Lee	D14/251

D752,055 S *	3/2016	Aryeh	D14/447
D783,593 S *	4/2017	Chen	D14/253
D792,416 S *	7/2017	Tsai	D14/447
D802,404 S *	11/2017	Turksu	D12/415
D807,339 S *	1/2018	Lan	D14/253
D820,247 S *	6/2018	Ahn	D14/253
D820,248 S *	6/2018	Ahn	D14/253
D823,847 S *	7/2018	Lebovitz	D14/253
D831,661 S *	10/2018	Yao	D14/447
D849,012 S *	5/2019	Yao	D14/447
D874,385 S *	2/2020	Jang	D12/415
D877,741 S *	3/2020	Leeds-Frank	D14/447
D881,893 S *	4/2020	Zanxiang	D14/440
D888,703 S *	6/2020	Liao	D14/253
D892,711 S *	8/2020	Xiong	D12/420

(Continued)

OTHER PUBLICATIONS

Skull Hug Buddy Air Vent Car Phone Holder, Amazon.com, Jun. 16, 2021. <<https://a.co/d/f4F1jTI>> (Year: 2021).*

(Continued)

Primary Examiner — Janice Hallmark

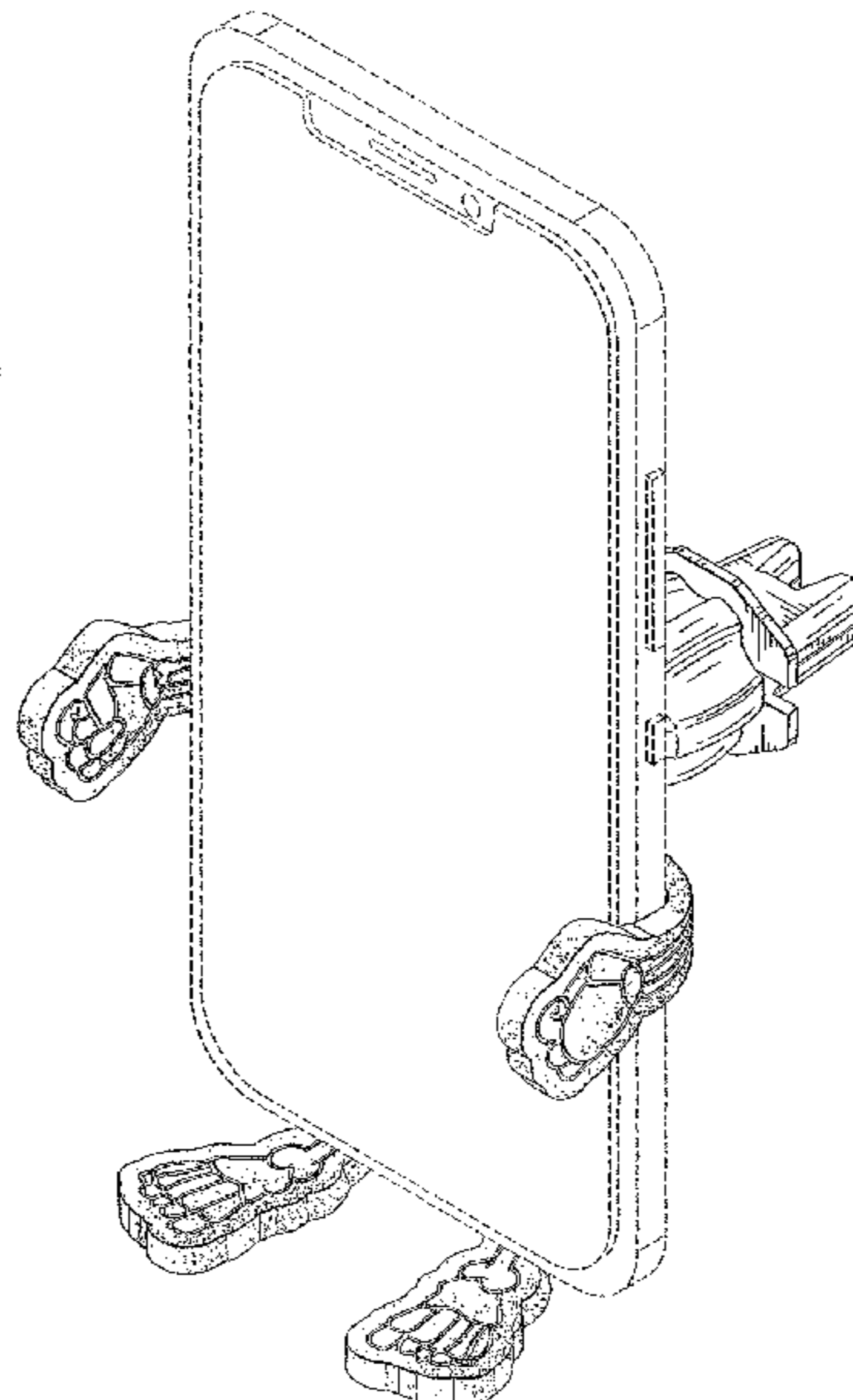
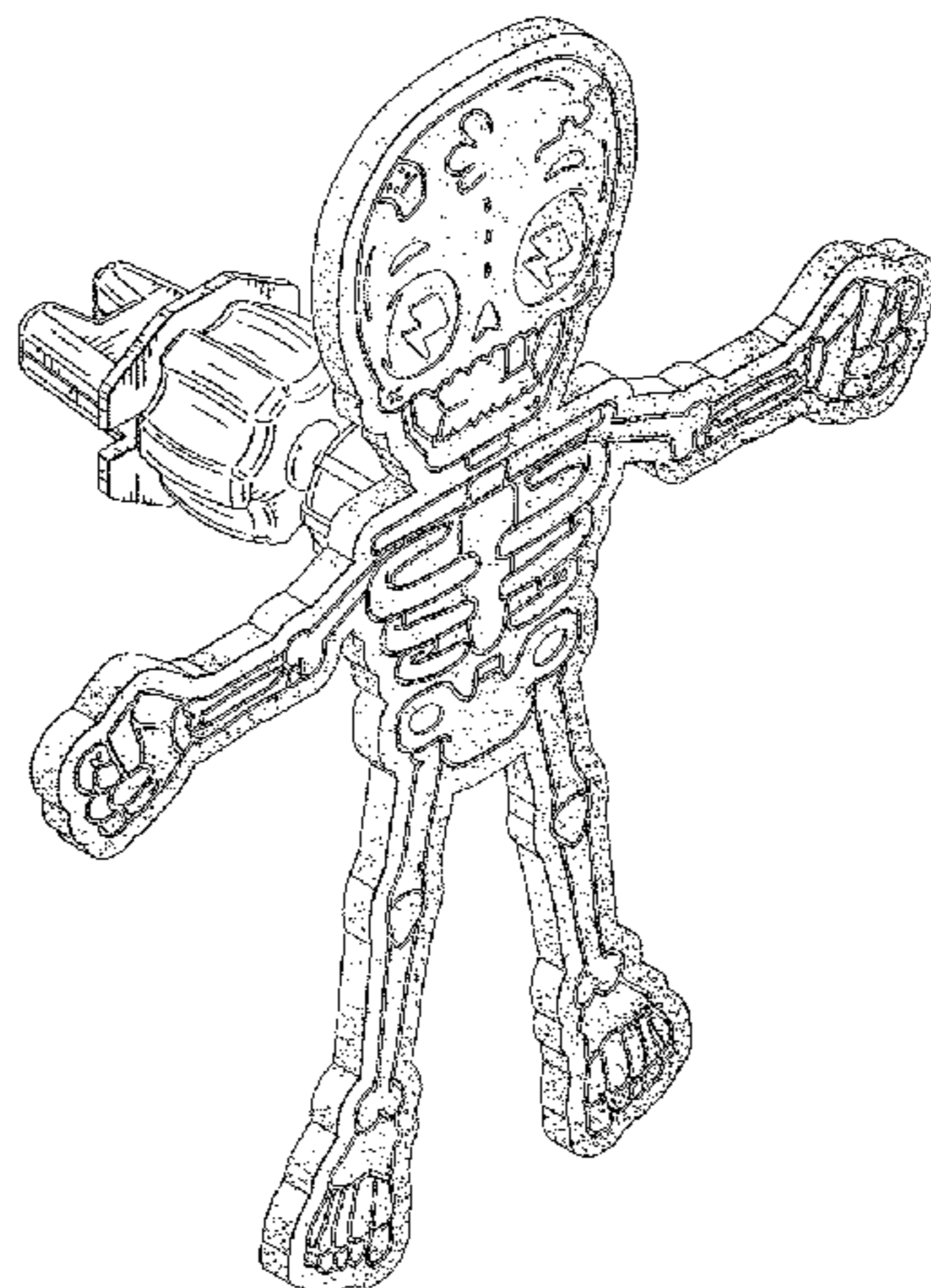
(57) **CLAIM**

The ornamental design for a skull cellular phone holder, as shown.

DESCRIPTION

FIG. 1 is a front perspective view of a skull cellular phone holder showing our new design; FIG. 2 is a front elevational view thereof; FIG. 3 is a side elevational view thereof. FIG. 4 is a back elevational view thereof; and, FIG. 5 is a front perspective view of the turtle cellular phone holder of FIG. 1 shown in an alternate position of use with a cellular phone being held therein. The broken lines illustrate unclaimed environment and form no part of the claimed design.

1 Claim, 5 Drawing Sheets



(56)

References Cited

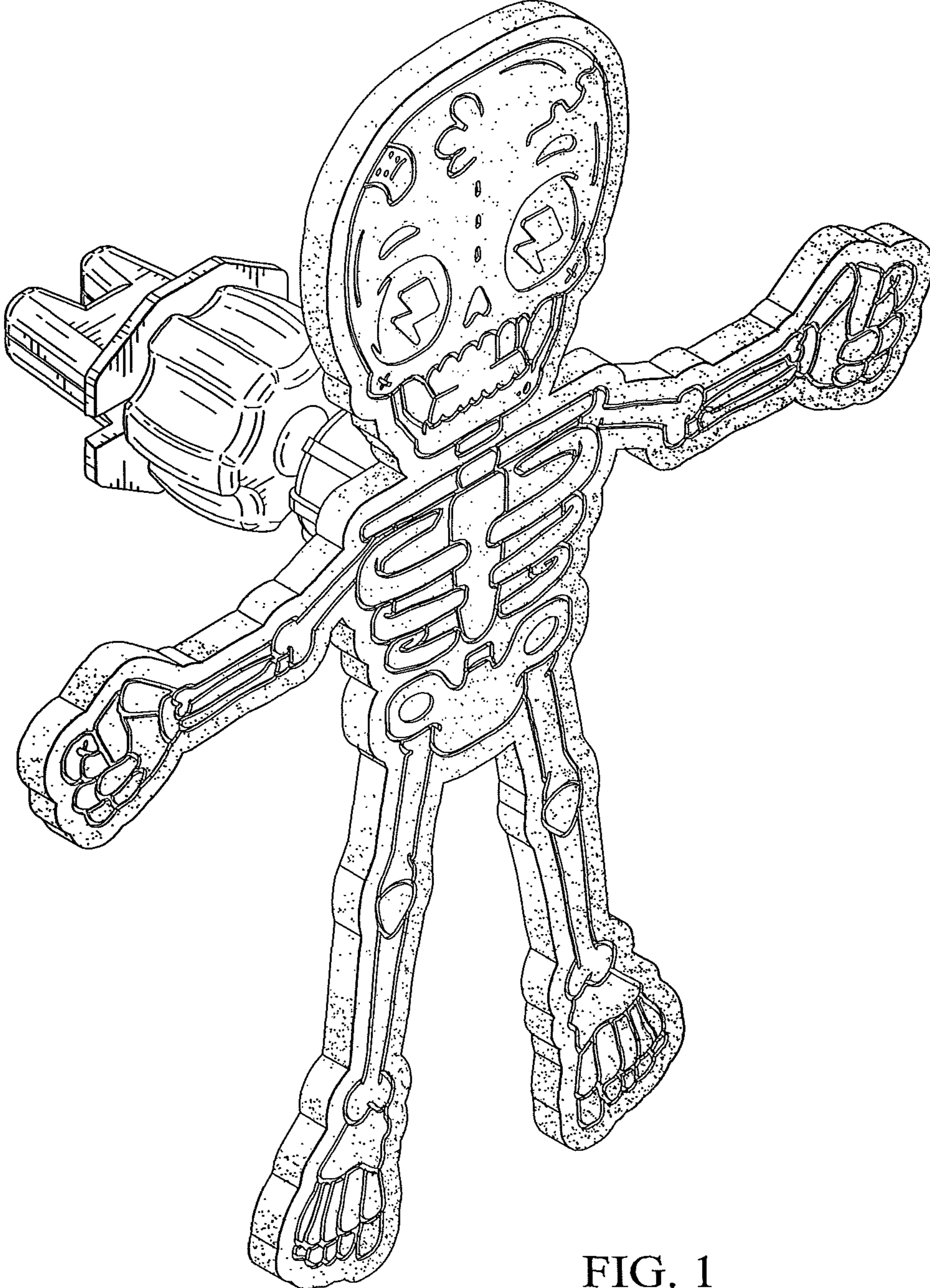
U.S. PATENT DOCUMENTS

D893,471 S * 8/2020 Liao D12/415
D894,891 S * 9/2020 Zhang D12/415
D920,888 S * 6/2021 Miao D12/415
D950,475 S * 5/2022 Xu D12/415
D955,376 S * 6/2022 Li D14/253
2017/0170858 A1* 6/2017 Tiller H04B 1/3877

OTHER PUBLICATIONS

Hug Buddy Trademark registered to Marklyn Group, retrieved on Nov. 6, 2022, Trademark Electronic Search System (TESS), registration date Sep. 19, 2017. (Year: 2017).*

* cited by examiner



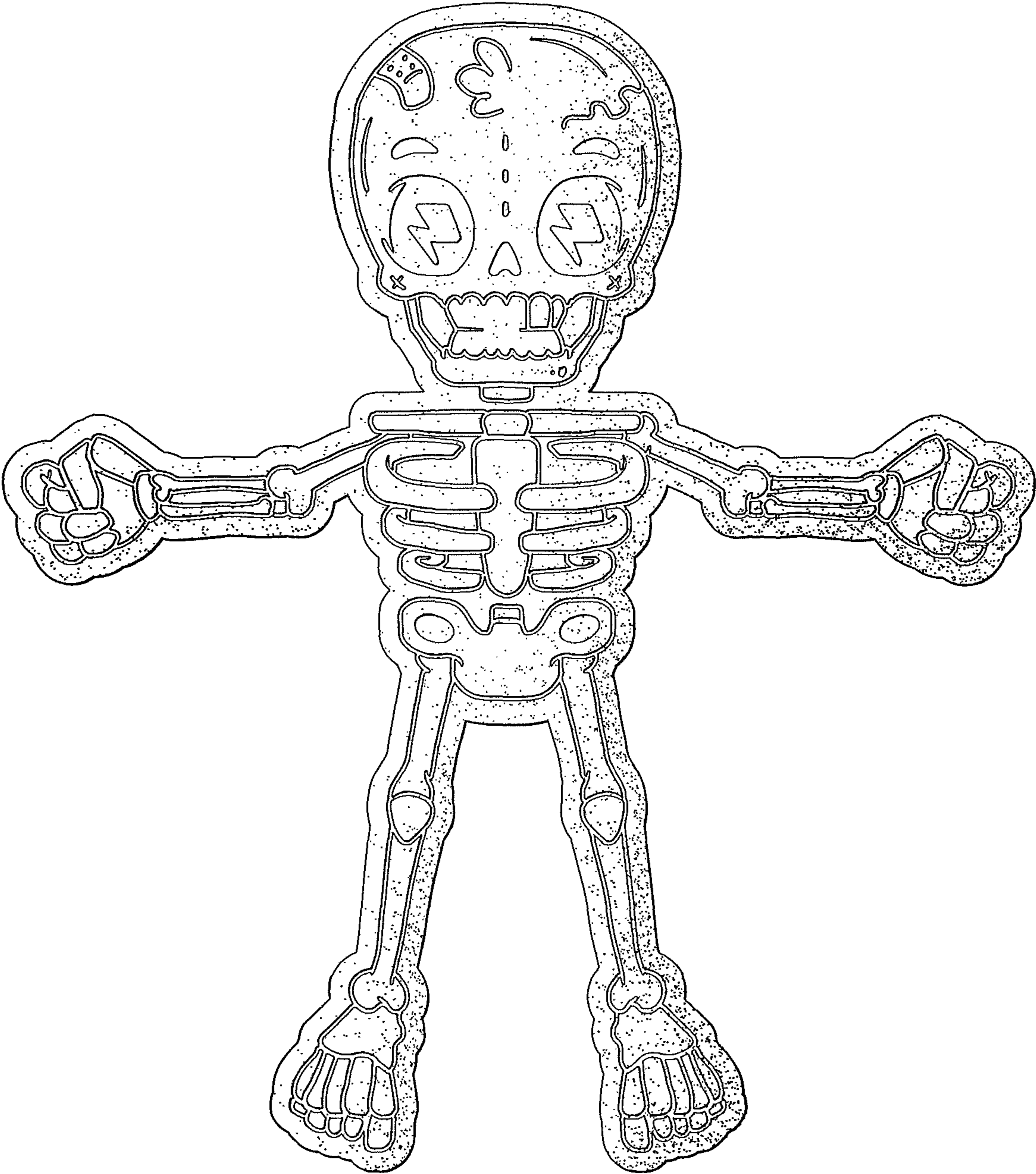


FIG. 2

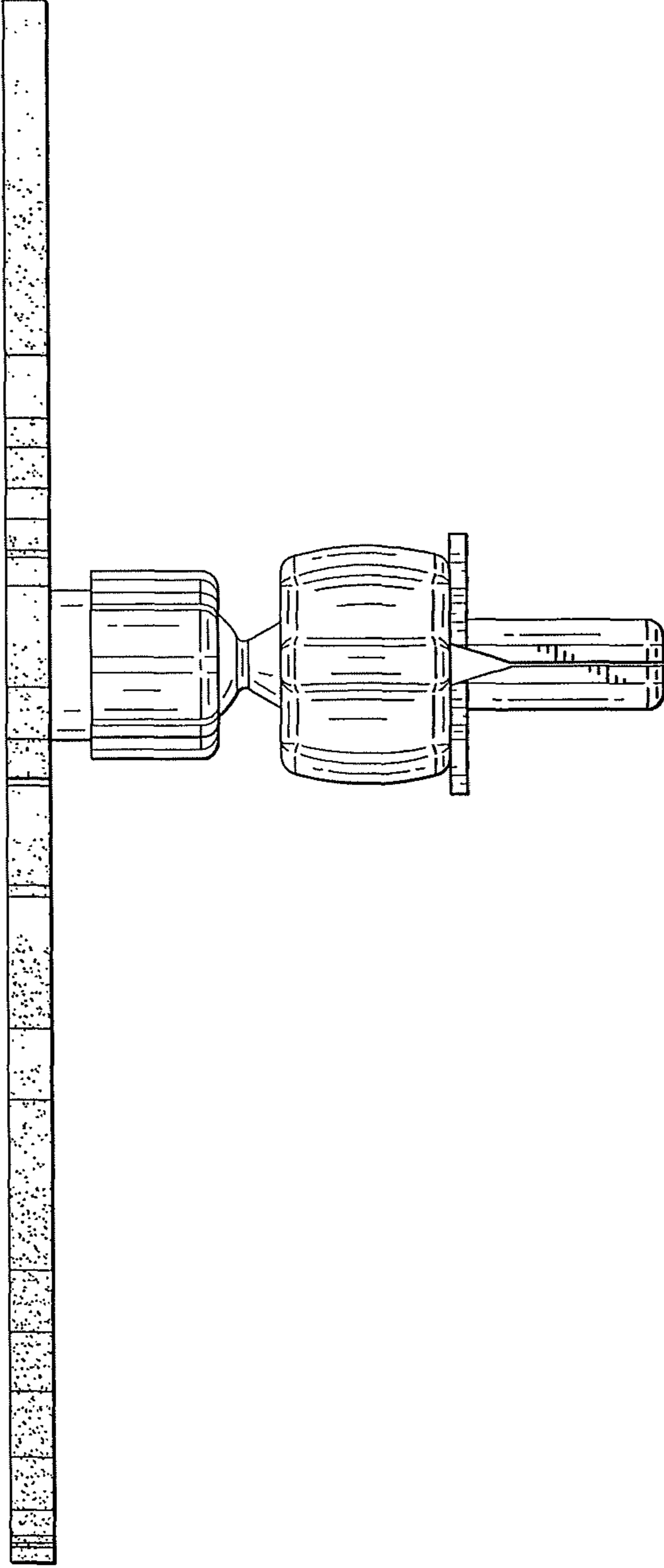


FIG. 3

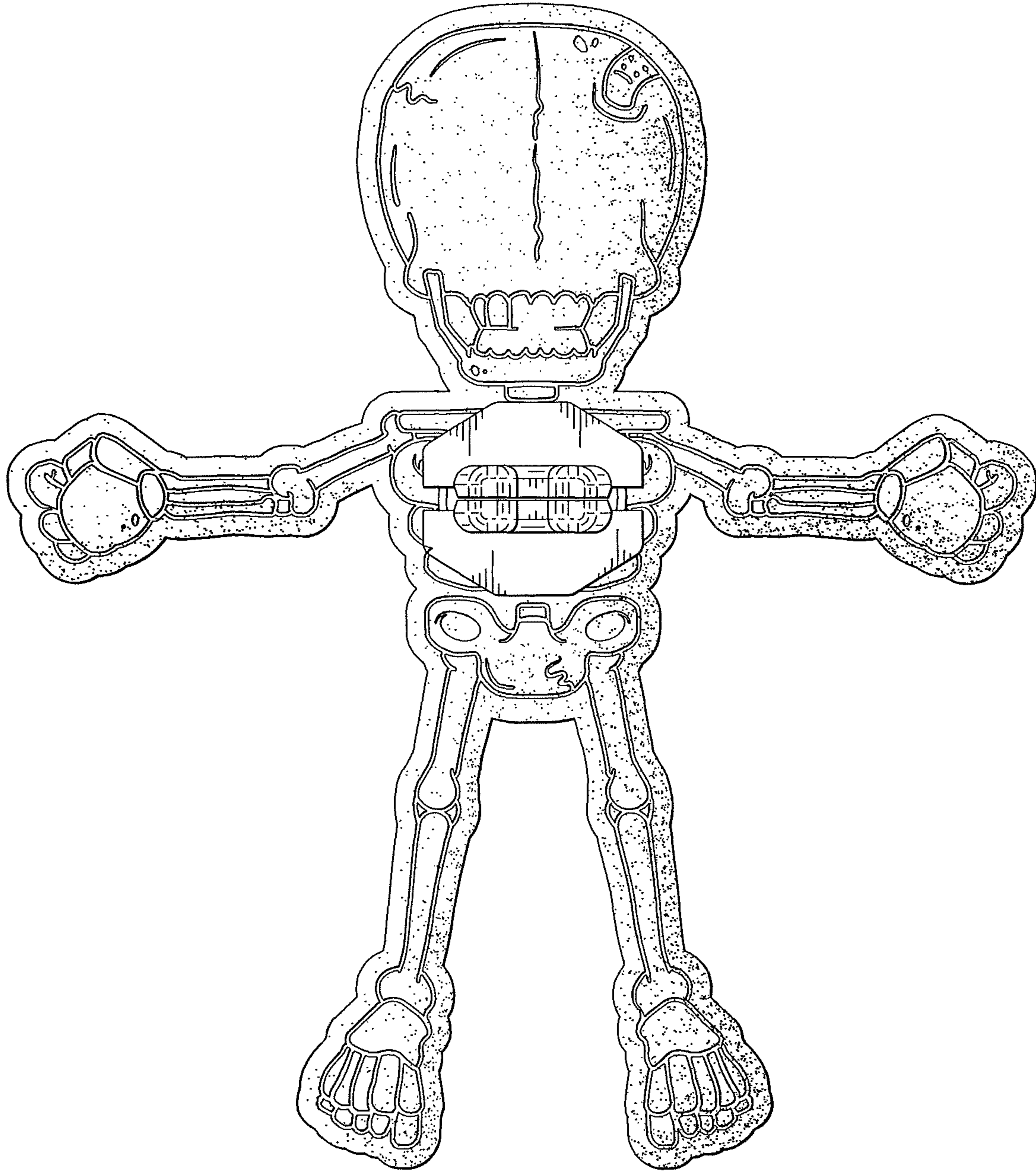


FIG. 4

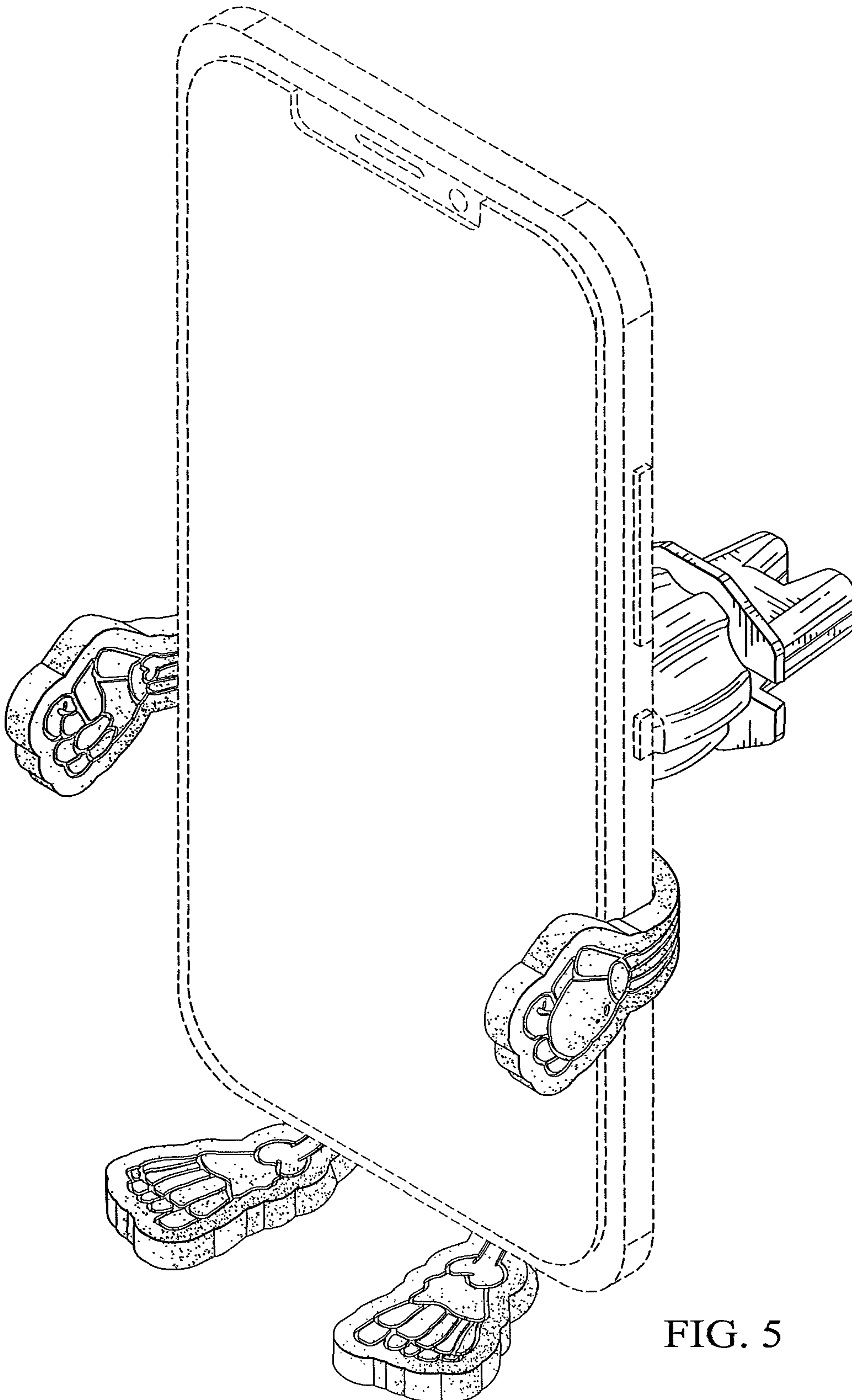


FIG. 5