



US00D978131S

(12) **United States Design Patent**
Puspitasari

(10) **Patent No.:** **US D978,131 S**

(45) **Date of Patent:** **** Feb. 14, 2023**

- (54) **CELLULAR PHONE HOLDER**
- (71) Applicant: **Marklyn Group, Inc.**, Brampton (CA)
- (72) Inventor: **Betharia Puspitasari**, Bandung (ID)
- (73) Assignee: **MARKLYN GROUP INC.**, Brampton (CA)
- (**) Term: **15 Years**
- (21) Appl. No.: **29/807,548**
- (22) Filed: **Sep. 13, 2021**
- (51) **LOC (14) Cl.** **14-03**
- (52) **U.S. Cl.**
USPC **D14/253**
- (58) **Field of Classification Search**
USPC D14/251–253, 447, 217, 440; D12/415
CPC H04M 1/04; H04M 1/06; H04M 1/12;
H04M 1/6075; B60R 2011/0059; B60R
11/0252; A47B 2023/049; A45F
2200/0516; A45F 2200/0525; A45C
2011/002; A45C 2011/003; A45C
2013/025
See application file for complete search history.

(56) **References Cited**

U.S. PATENT DOCUMENTS

D395,545 S *	6/1998	Crim, Jr.	D3/218
D479,428 S *	9/2003	Geary	D3/273
D658,469 S *	5/2012	van der Lande	D8/348
D666,084 S *	8/2012	Rojas	D8/367
D669,462 S *	10/2012	Avrahami	D14/253
D679,755 S *	4/2013	Roth	D19/7
D682,283 S *	5/2013	Tak	D14/447
D687,428 S *	8/2013	Kim	D14/253
D688,656 S *	8/2013	Avrahami	D14/253
D696,039 S *	12/2013	Woodard	D6/406.3
D715,803 S *	10/2014	Major	D14/447
D748,615 S *	2/2016	Lee	D14/251
D750,059 S *	2/2016	Atteridge	D14/252

D752,055 S *	3/2016	Aryeh	D14/447
D771,493 S *	11/2016	Katopis	D9/451
D783,593 S *	4/2017	Chen	D14/253
D792,416 S *	7/2017	Tsai	D14/447
D802,404 S *	11/2017	Turksu	D12/415
D807,339 S *	1/2018	Lan	D14/253
D820,247 S *	6/2018	Ahn	D14/253
D820,248 S *	6/2018	Ahn	D14/253
D823,847 S *	7/2018	Lebovitz	D14/253
D831,661 S *	10/2018	Yao	D14/447
D849,012 S *	5/2019	Yao	D14/447
D861,090 S *	9/2019	Colman	D21/725
D874,385 S *	2/2020	Jang	D12/415
D877,741 S *	3/2020	Leeds-Frank	D14/447
D881,893 S *	4/2020	Zanxiang	D14/440
D888,703 S *	6/2020	Liao	D14/253
D892,711 S *	8/2020	Xiong	D12/420

(Continued)

OTHER PUBLICATIONS

Hug Buddy Trademark Registered to Marklyn Group on Sep. 19, 2017, retrieved on Nov. 6, 2022. (Year: 2022).*

Primary Examiner — Janice Hallmark

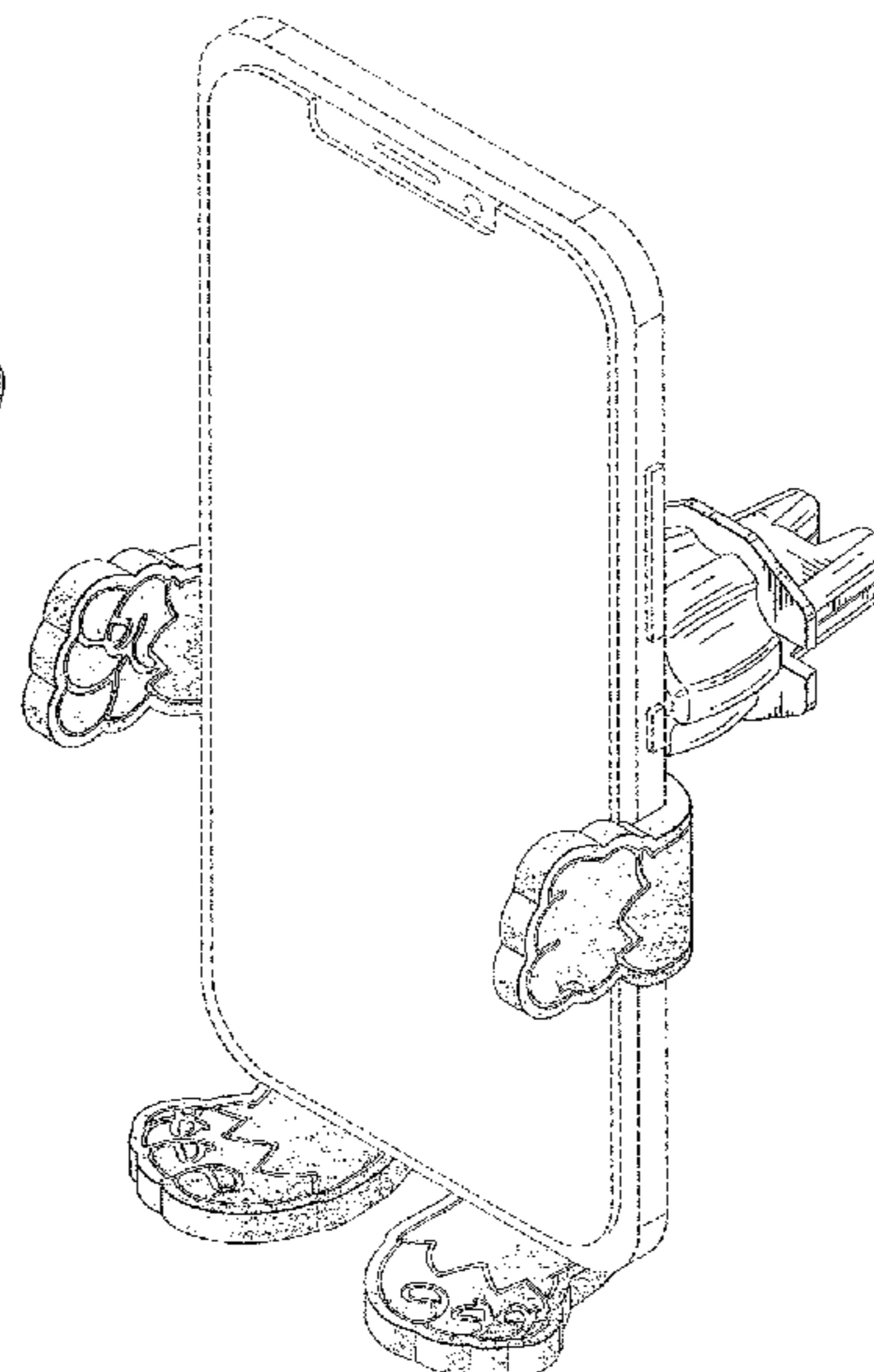
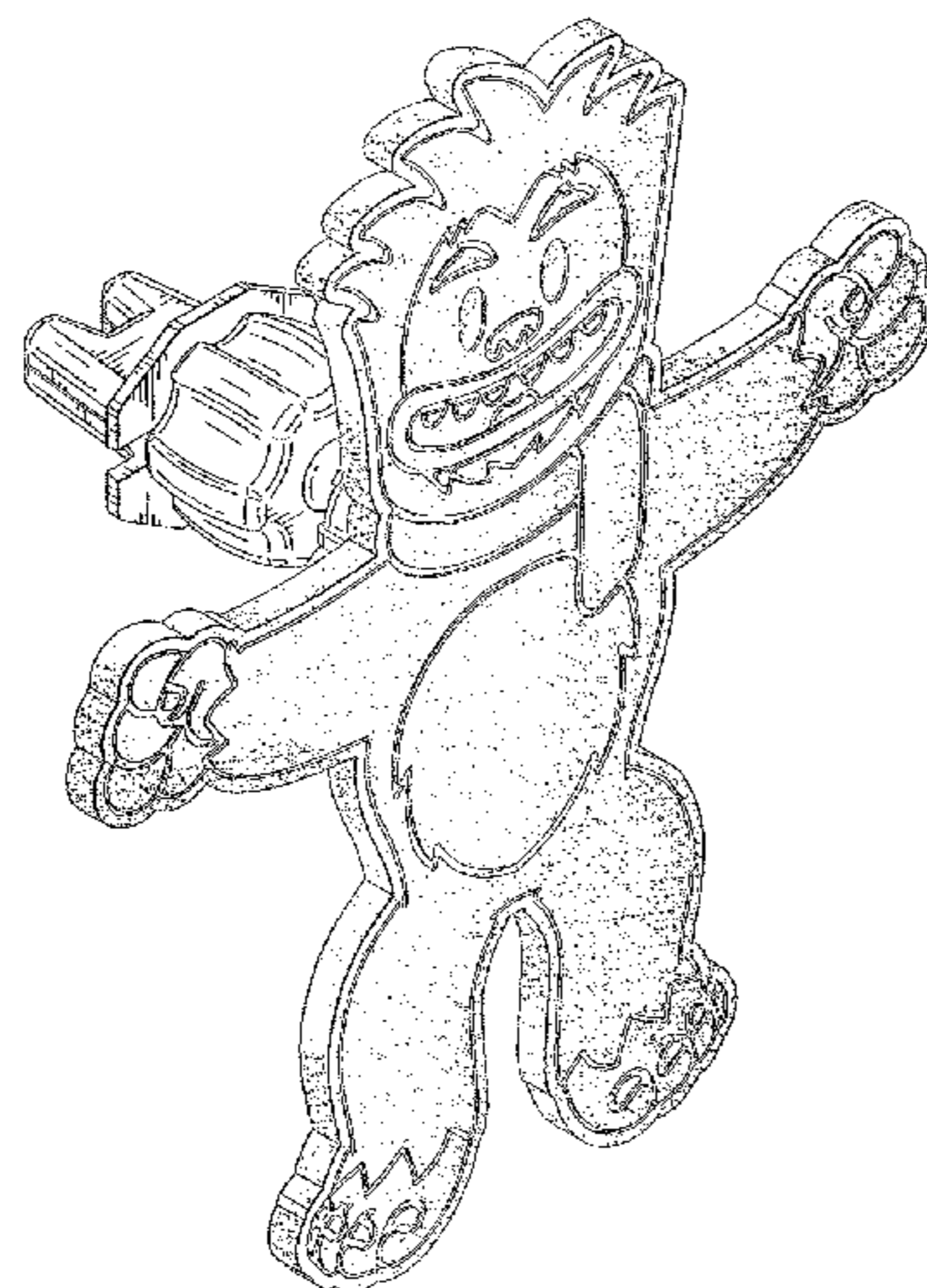
(57) **CLAIM**

The ornamental design for a cellular phone holder, as shown and described.

DESCRIPTION

FIG. 1 is a front perspective view of a cellular phone holder showing our new design;
 FIG. 2 is a front elevational view thereof;
 FIG. 3 is a side view thereof.
 FIG. 4 is a rear elevational view thereof; and,
 FIG. 5 is a front perspective view of the cellular phone holder of FIG. 1 shown in an alternate position of use with a cellular phone being held therein.
 The broken lines illustrate unclaimed environment and form no part of the claimed design.

1 Claim, 5 Drawing Sheets



(56)

References Cited

U.S. PATENT DOCUMENTS

D893,471 S *	8/2020	Liao	D12/415
D894,891 S *	9/2020	Zhang	D12/415
D920,888 S *	6/2021	Miao	D12/415
D942,551 S *	2/2022	Kiribuchi	D21/658
D950,475 S *	5/2022	Xu	D12/415
D955,376 S *	6/2022	Li	D14/253
2017/0170858 A1 *	6/2017	Tiller	H04B 1/3877

* cited by examiner

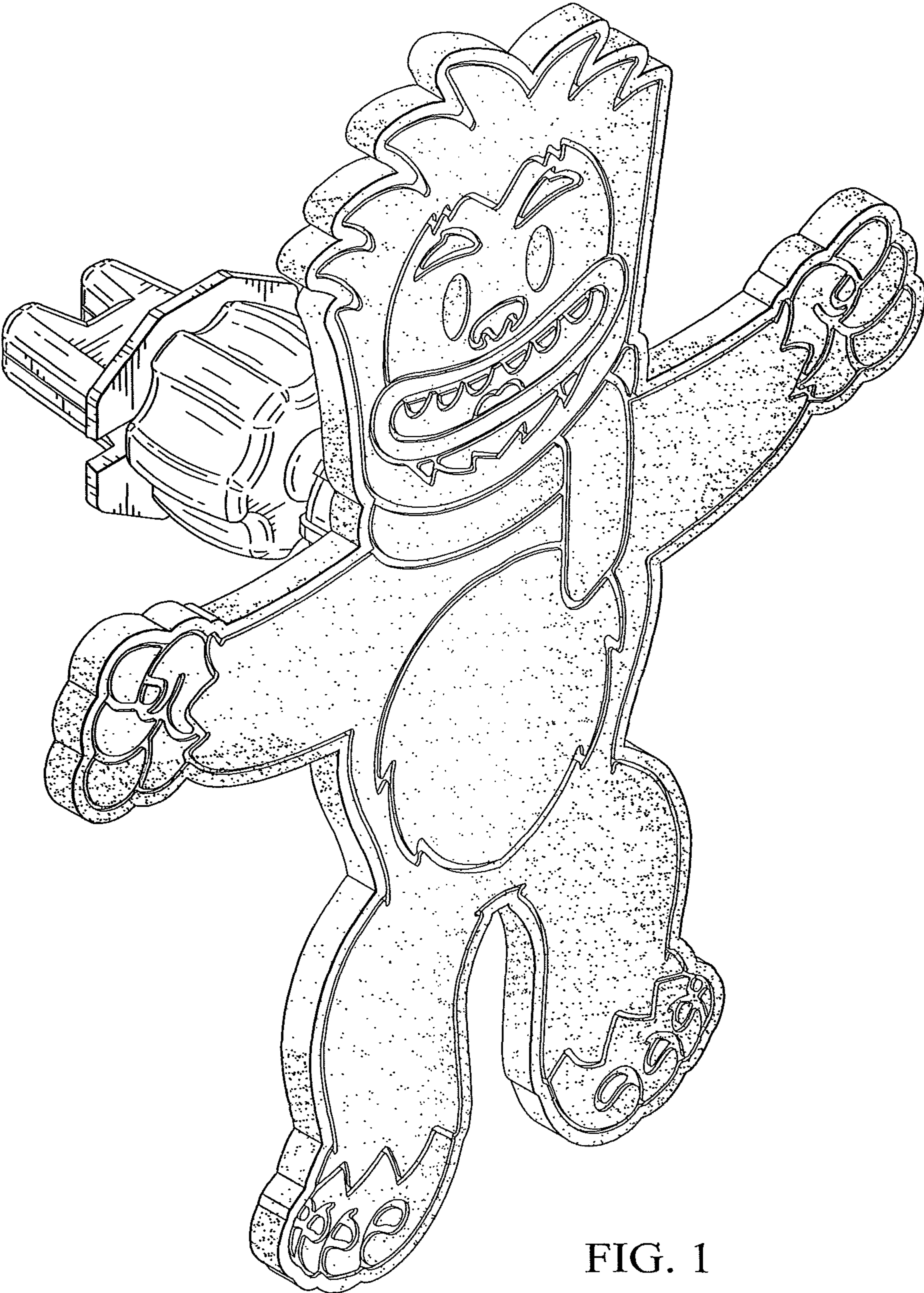


FIG. 1

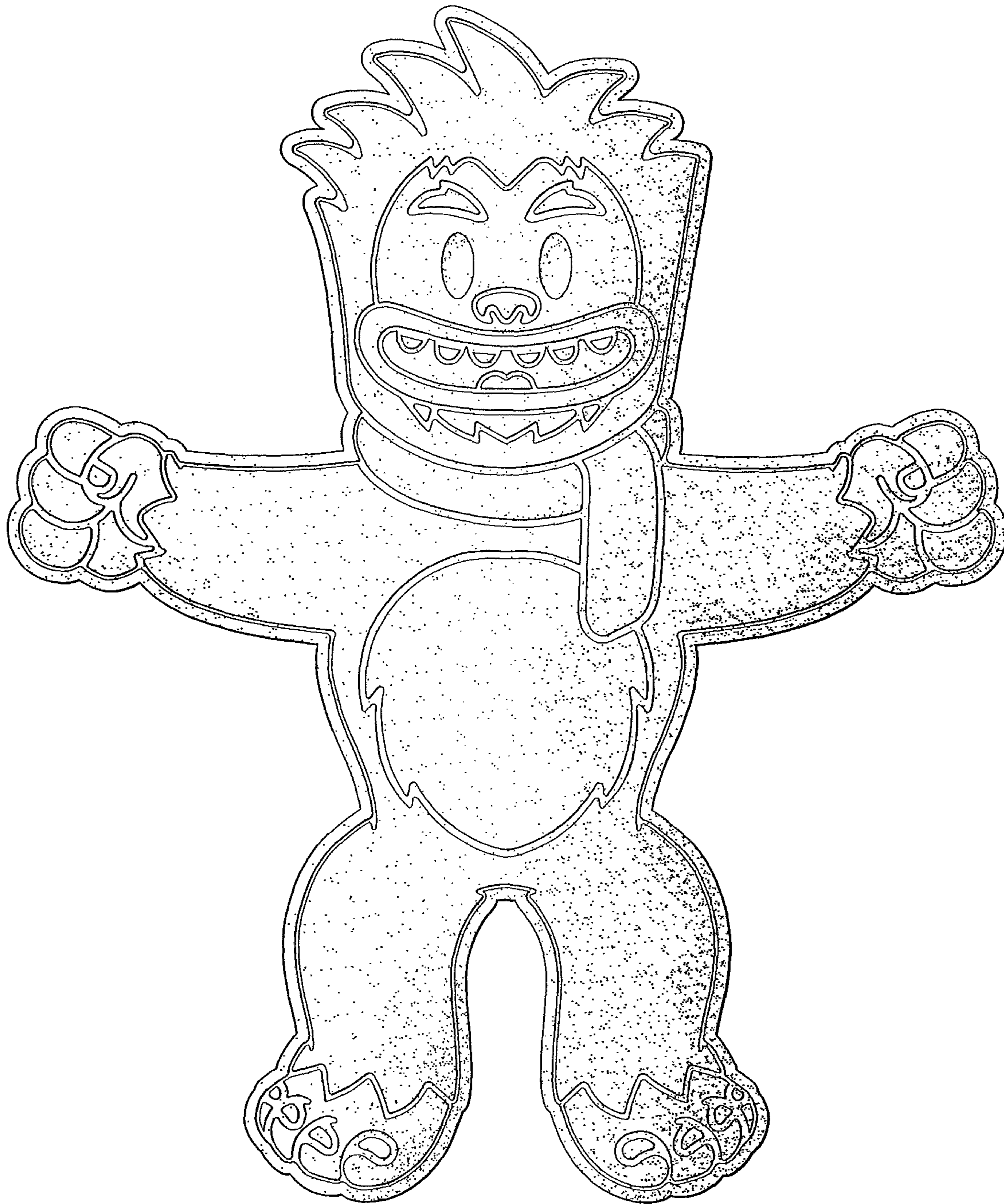


FIG. 2

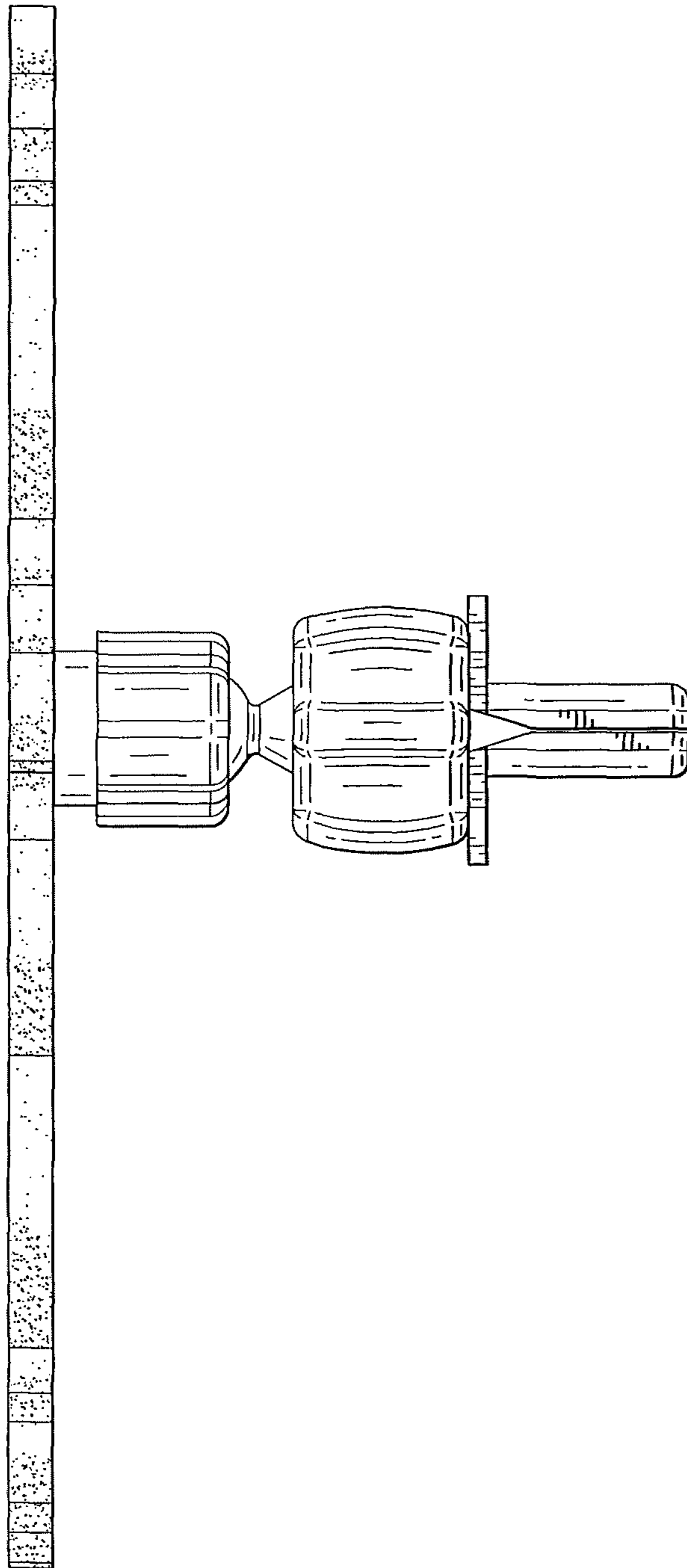


FIG. 3

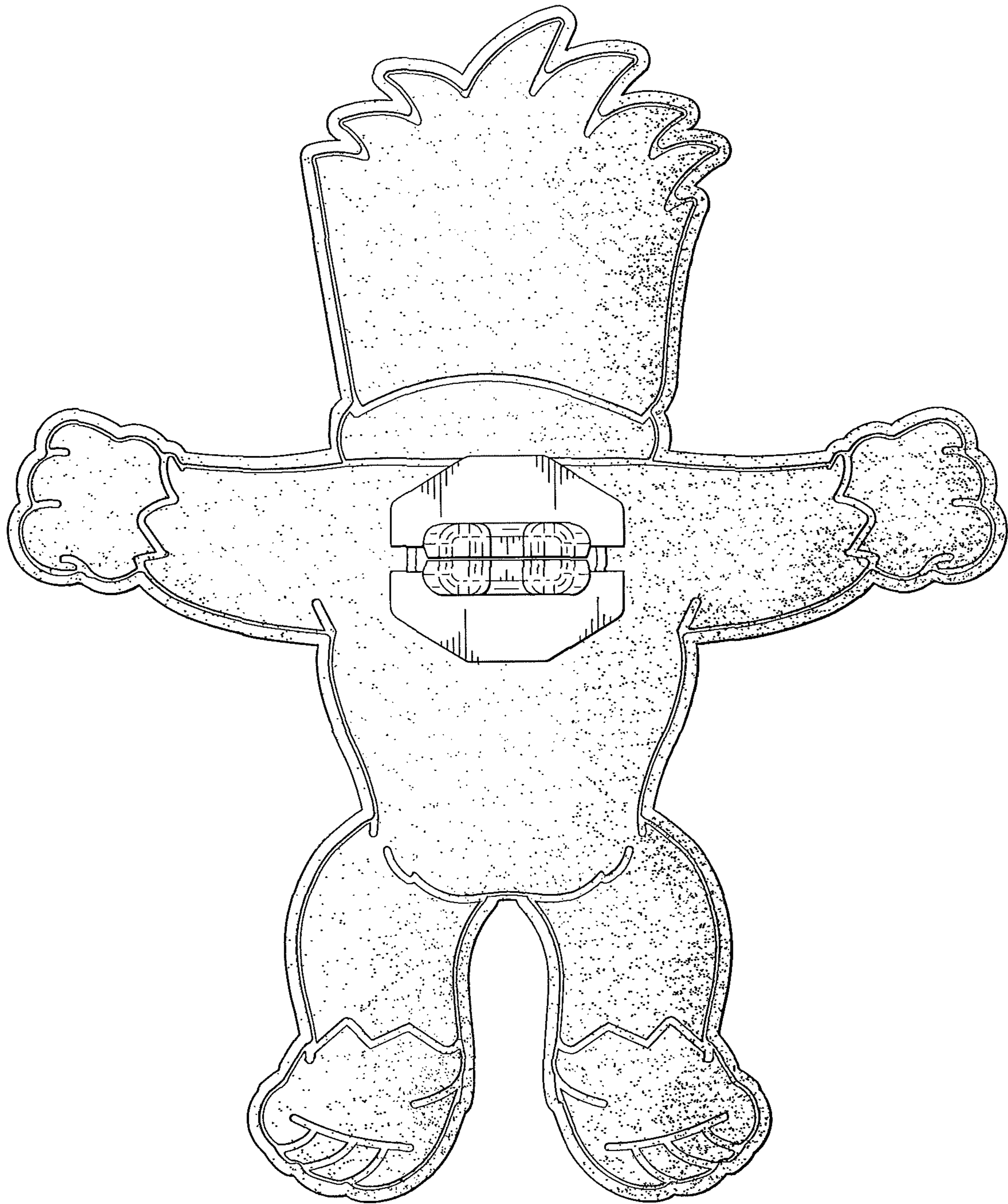


FIG. 4

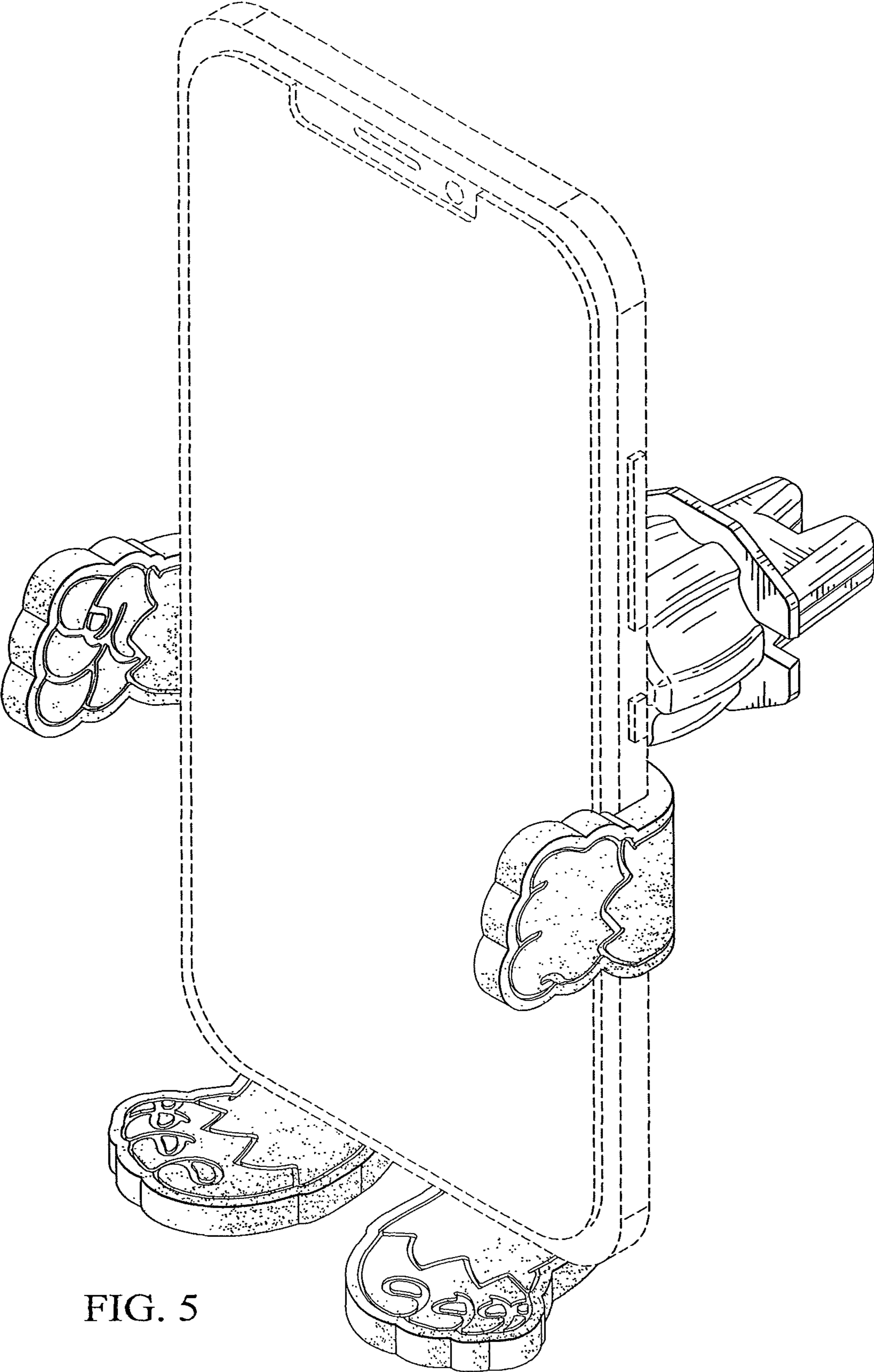


FIG. 5