



US00D978129S

(12) **United States Design Patent**  
**Cardona**

(10) **Patent No.:** **US D978,129 S**

(45) **Date of Patent:** **\*\* Feb. 14, 2023**

(54) **MONKEY CELLULAR PHONE HOLDER**

(71) Applicant: **Marklyn Group, Inc.**, Brampton (CA)

(72) Inventor: **Sebastian Cardona**, Cali (CO)

(73) Assignee: **MARKLYN GROUP INC.**, Brampton (CA)

(\*\*) Term: **15 Years**

(21) Appl. No.: **29/807,539**

(22) Filed: **Sep. 13, 2021**

(51) **LOC (14) Cl.** ..... **14-03**

(52) **U.S. Cl.**  
USPC ..... **D14/253**

(58) **Field of Classification Search**  
USPC ..... D14/251-253, 447, 217, 440; D12/415  
CPC ..... H04M 1/04; H04M 1/06; H04M 1/12;  
H04M 1/6075; B60R 2011/0059; B60R  
11/0252; A47B 2023/049; A45F  
2200/0516; A45F 2200/0525; A45C  
2011/002; A45C 2011/003; A45C  
2013/025  
See application file for complete search history.

D750,059 S *	2/2016	Atteridge	.....	D14/252
D752,055 S *	3/2016	Aryeh	.....	D14/447
D771,493 S *	11/2016	Katopis	.....	D9/451
D783,593 S *	4/2017	Chen	.....	D14/253
D792,416 S *	7/2017	Tsai	.....	D14/447
D802,404 S *	11/2017	Turksu	.....	D12/415
D807,339 S *	1/2018	Lan	.....	D14/253
D820,247 S *	6/2018	Ahn	.....	D14/253
D820,248 S *	6/2018	Ahn	.....	D14/253
D823,847 S *	7/2018	Lebovitz	.....	D14/253
D831,661 S *	10/2018	Yao	.....	D14/447
D849,012 S *	5/2019	Yao	.....	D14/447
D861,090 S *	9/2019	Colman	.....	D21/725
D874,385 S *	2/2020	Jang	.....	D12/415
D877,741 S *	3/2020	Leeds-Frank	.....	D14/447
D881,893 S *	4/2020	Zanxiang	.....	D14/440
D888,703 S *	6/2020	Liao	.....	D14/253
D892,711 S *	8/2020	Xiong	.....	D12/420
D893,471 S *	8/2020	Liao	.....	D12/415
D894,891 S *	9/2020	Zhang	.....	D12/415
D920,888 S *	6/2021	Miao	.....	D12/415
D942,551 S *	2/2022	Kiribuchi	.....	D21/658

(Continued)

Primary Examiner — Janice Hallmark

(57) **CLAIM**

The ornamental design for a monkey cellular phone holder, as shown.

**DESCRIPTION**

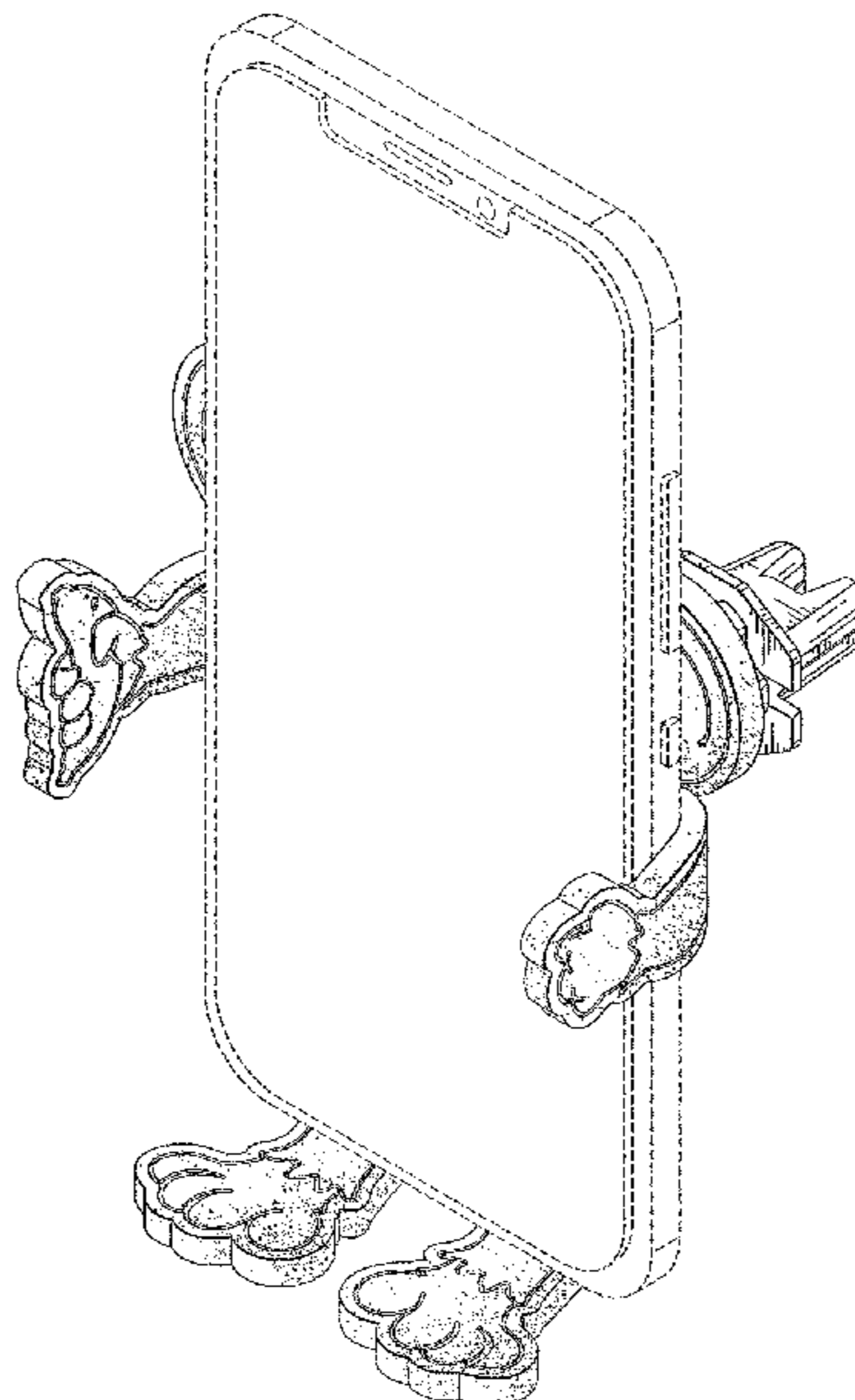
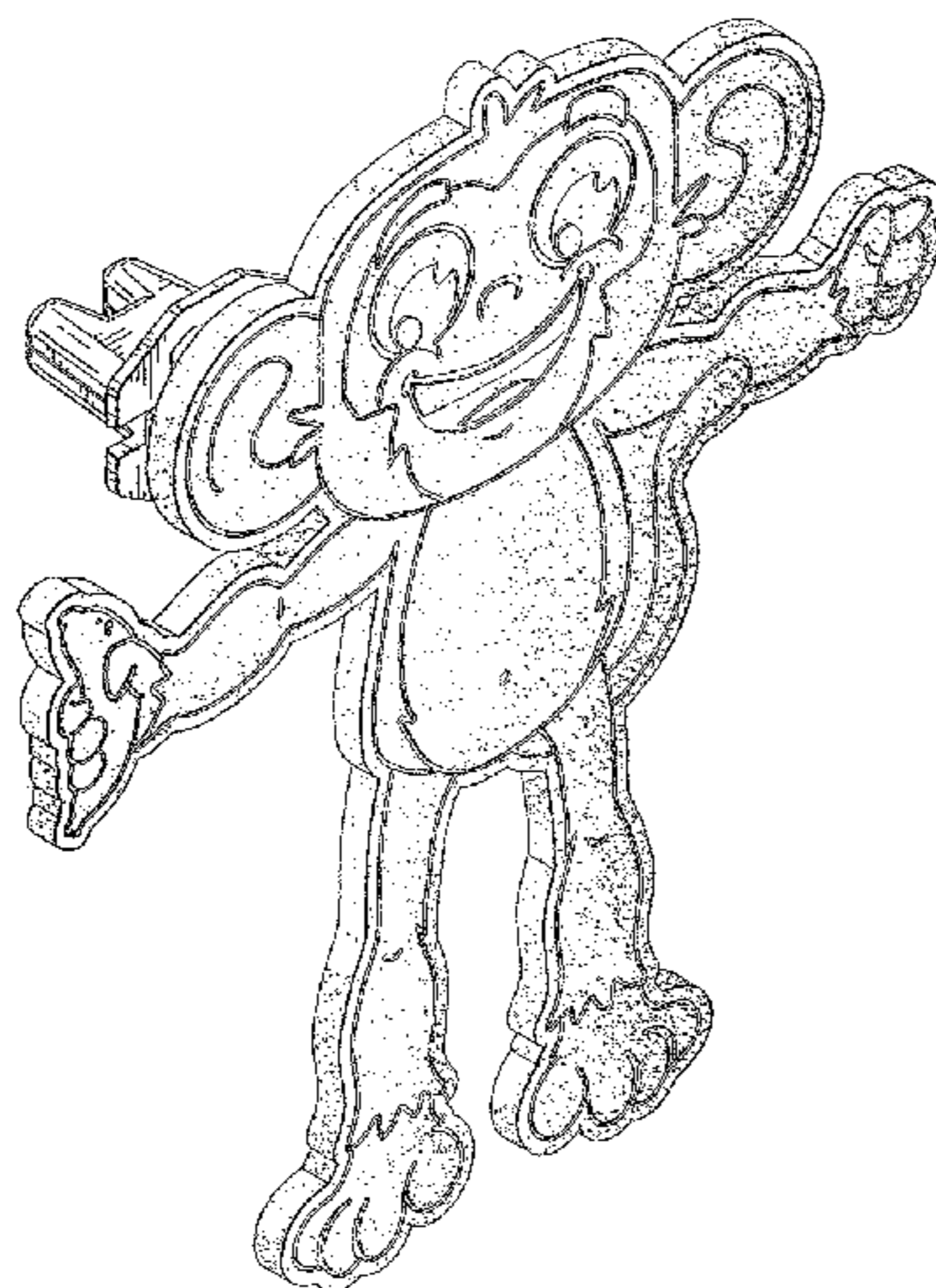
FIG. 1 is a front perspective view of a monkey cellular phone holder showing our new design; FIG. 2 is a front elevational view thereof; FIG. 3 is a side elevational view thereof. FIG. 4 is a back elevational view thereof; and, FIG. 5 is a front perspective view of the monkey cellular phone holder of FIG. 1 shown in an alternate position of use with a cellular phone being held therein. The broken lines illustrate unclaimed environment and form no part of the claimed design.

**1 Claim, 5 Drawing Sheets**

(56) **References Cited**

**U.S. PATENT DOCUMENTS**

D395,545 S *	6/1998	Crim, Jr.	.....	D3/218
D479,428 S *	9/2003	Geary	.....	D3/273
D658,469 S *	5/2012	van der Lande	.....	D8/348
D666,084 S *	8/2012	Rojas	.....	D8/367
D669,462 S *	10/2012	Avrahami	.....	D14/253
D679,755 S *	4/2013	Roth	.....	D19/7
D682,283 S *	5/2013	Tak	.....	D14/447
D687,428 S *	8/2013	Kim	.....	D14/253
D688,656 S *	8/2013	Avrahami	.....	D14/253
D696,039 S *	12/2013	Woodard	.....	D6/406.3
D715,803 S *	10/2014	Major	.....	D14/447
D748,615 S *	2/2016	Lee	.....	D14/251



(56)

**References Cited**

U.S. PATENT DOCUMENTS

D950,475 S \* 5/2022 Xu ..... D12/415  
D955,376 S \* 6/2022 Li ..... D14/253  
2017/0170858 A1\* 6/2017 Tiller ..... H04B 1/3877

\* cited by examiner

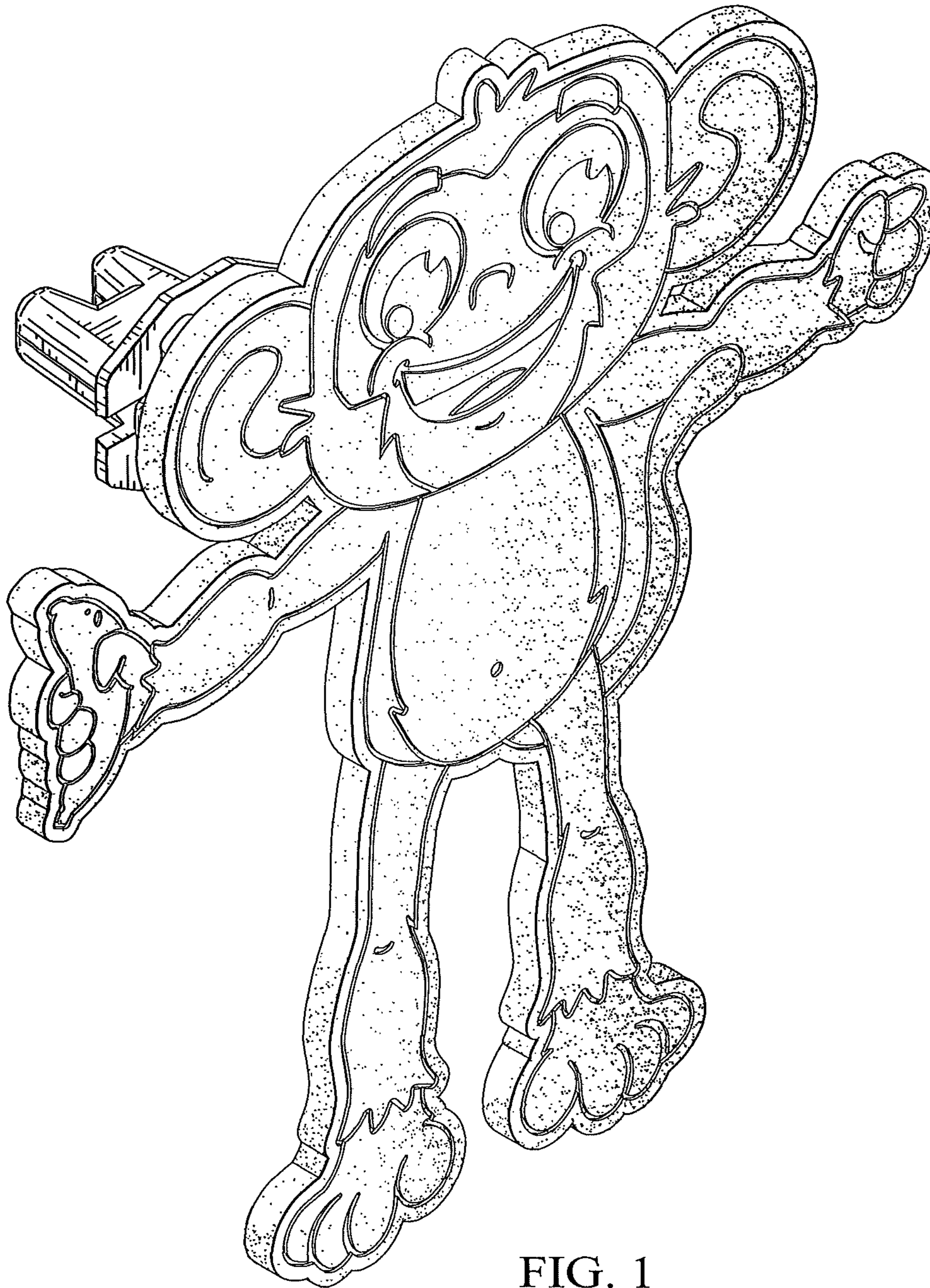


FIG. 1

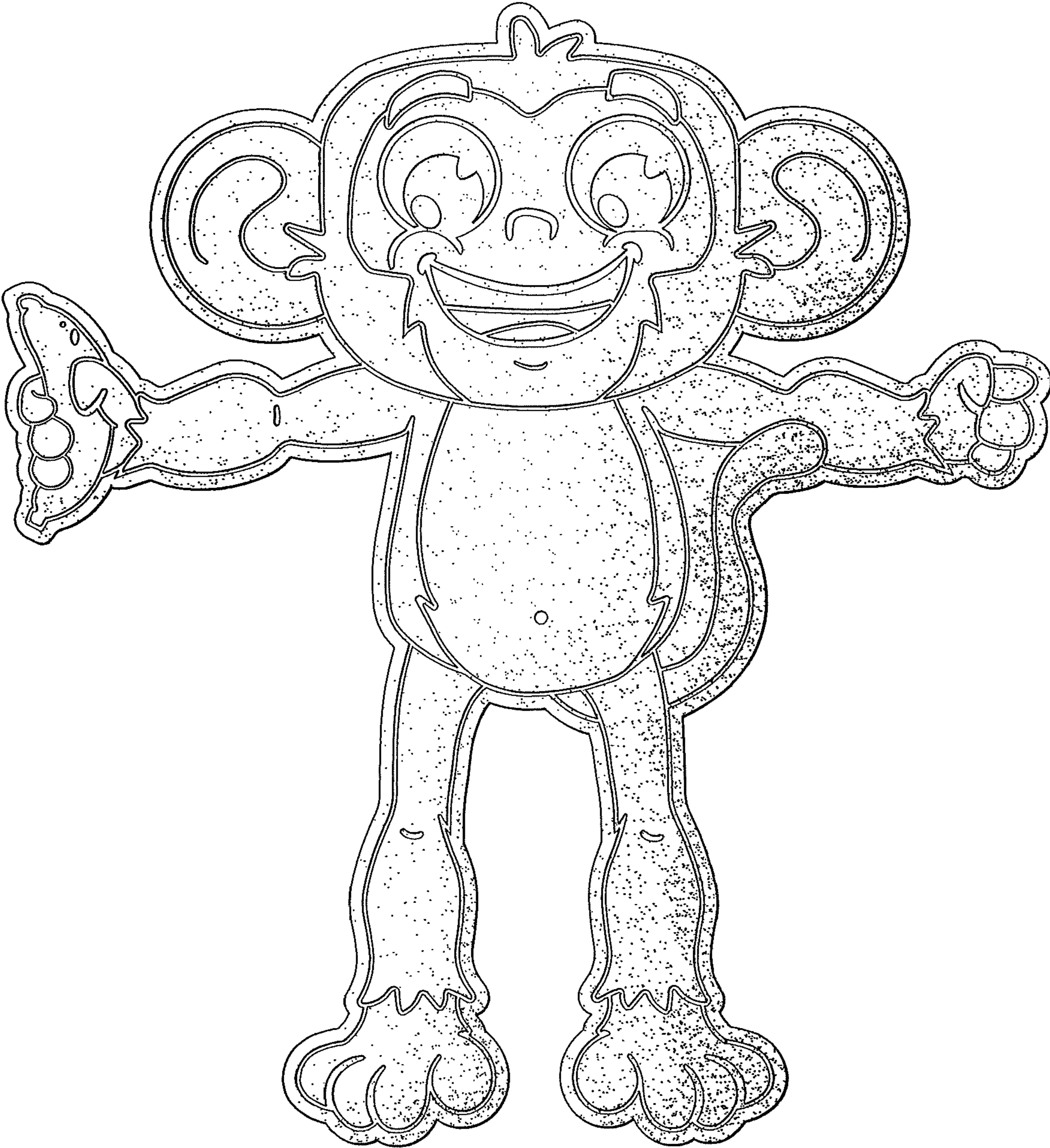


FIG. 2

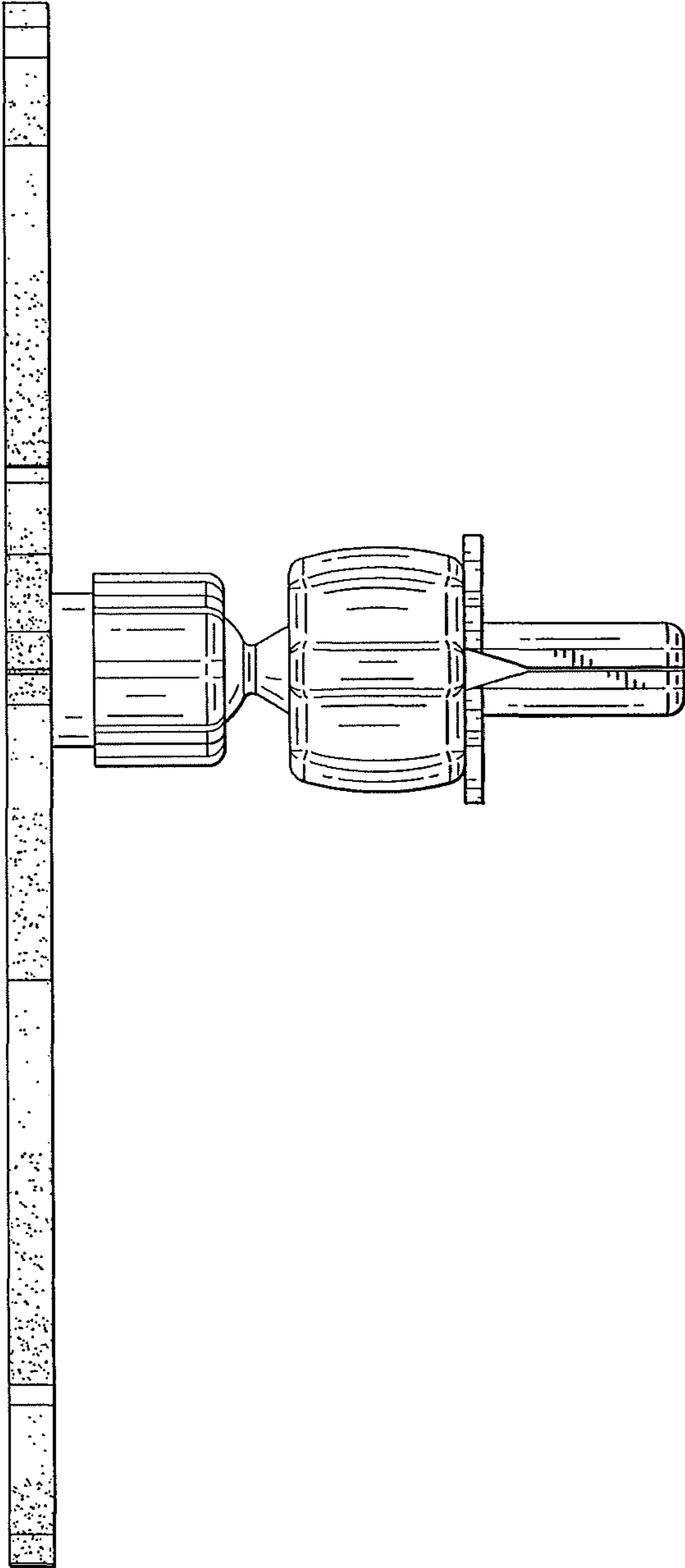


FIG. 3

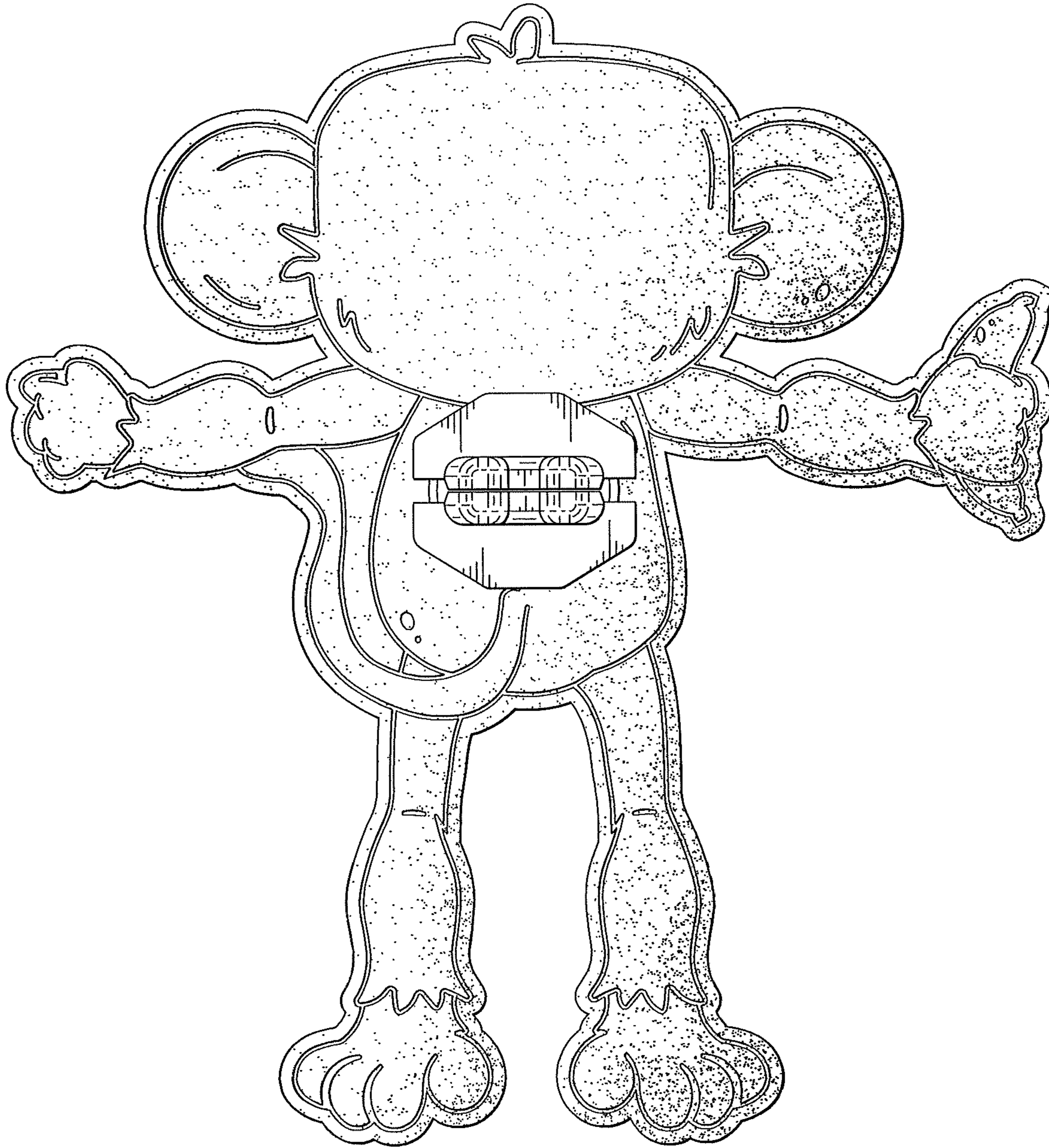


FIG. 4

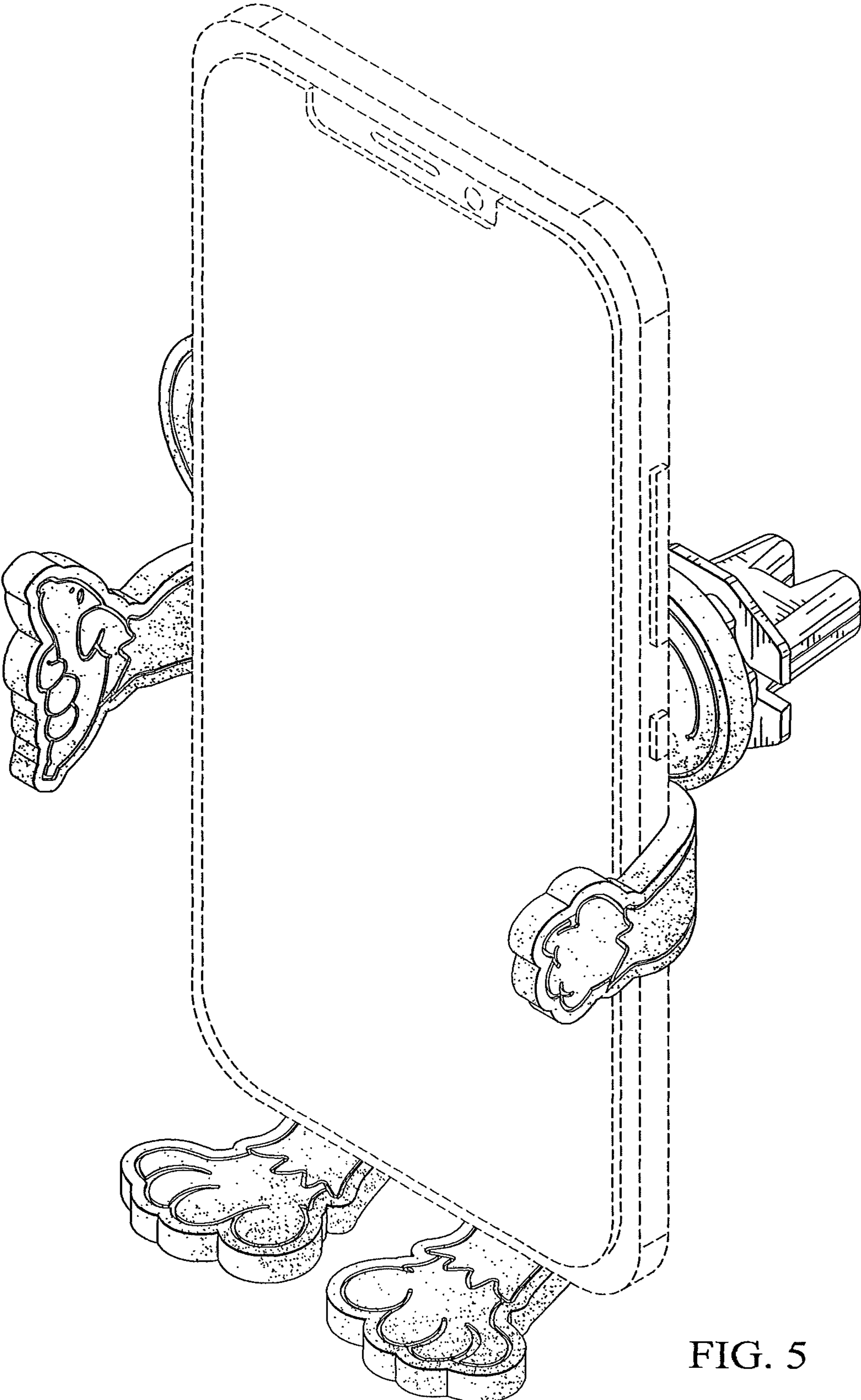


FIG. 5