



US00D978128S

(12) **United States Design Patent**
Stupar

(10) **Patent No.:** **US D978,128 S**

(45) **Date of Patent:** **** Feb. 14, 2023**

(54) **GIRAFFE CELLULAR PHONE HOLDER**

(71) Applicant: **Marklyn Group, Inc.**, Brampton (CA)

(72) Inventor: **Jelena Stupar, D. Zelina** (HR)

(73) Assignee: **MARKLYN GROUP INC.**, Brampton (CA)

(**) Term: **15 Years**

(21) Appl. No.: **29/807,513**

(22) Filed: **Sep. 13, 2021**

(51) **LOC (14) Cl.** **14-03**

(52) **U.S. Cl.**
USPC **D14/253**

(58) **Field of Classification Search**
USPC D12/400, 415, 420; D13/108;
D14/251-253, 447, 452, 432, 433, 434,
D14/440

CPC ... B60R 11/02; B60R 11/0241; B60H 3/0028;
F16B 2/22

See application file for complete search history.

(56) **References Cited**

U.S. PATENT DOCUMENTS

D716,788 S	*	11/2014	Volkan	D14/252
D750,059 S	*	2/2016	Atteridge	D14/252
D796,421 S	*	9/2017	Huang	D12/415
D803,208 S	*	11/2017	Cai	D14/253
D852,188 S	*	6/2019	He	D12/415

D859,286 S	*	9/2019	He	D12/415
D864,092 S	*	10/2019	Zhang	D12/415
D868,054 S	*	11/2019	Kim	D12/415
D872,014 S	*	1/2020	Zhang	D13/108
D873,260 S	*	1/2020	Dang	D12/415
D889,454 S	*	7/2020	Liu	D14/253
D892,711 S	*	8/2020	Xiong	D12/420
D894,829 S	*	9/2020	Zhang	D13/108
D896,215 S	*	9/2020	Li	D14/253
D943,569 S	*	2/2022	Zhang	D12/415
D960,145 S	*	8/2022	Zhou	D14/253
D966,254 S	*	10/2022	Zhang	D14/253
2020/0254940 A1	*	8/2020	Dang	F16B 2/22

* cited by examiner

Primary Examiner — Susan E Krakower

Assistant Examiner — Jerry Shiuan-Hua Hsu

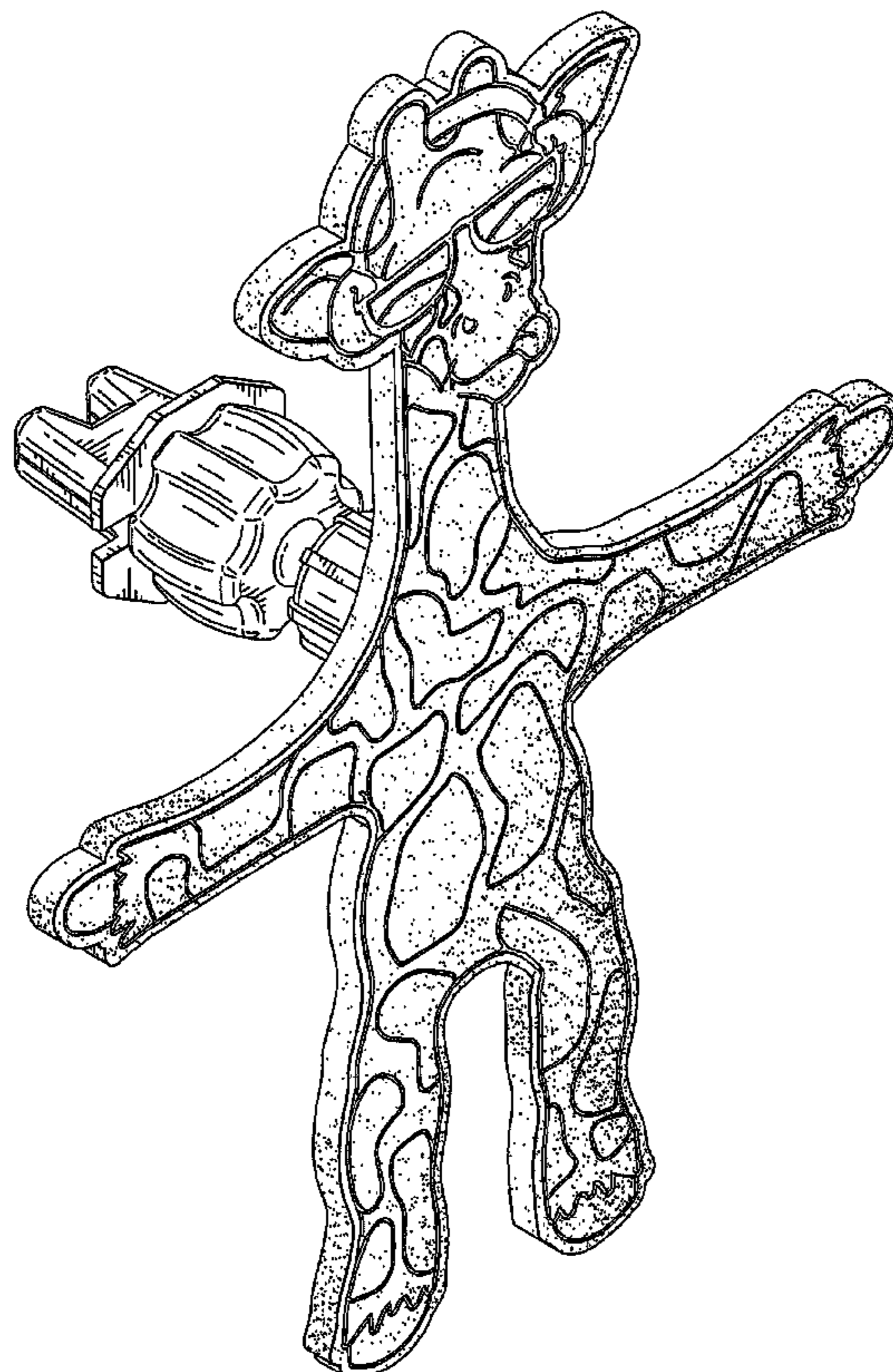
(57) **CLAIM**

The ornamental design for a giraffe cellular phone holder, as shown.

DESCRIPTION

FIG. 1 is a front perspective view of a giraffe cellular phone holder showing our new design;
FIG. 2 is a front elevational view thereof;
FIG. 3 is a side elevational view thereof.
FIG. 4 is a back elevational view thereof; and,
FIG. 5 is a front perspective view showing the placement of a cellular phone being held therein.

1 Claim, 5 Drawing Sheets



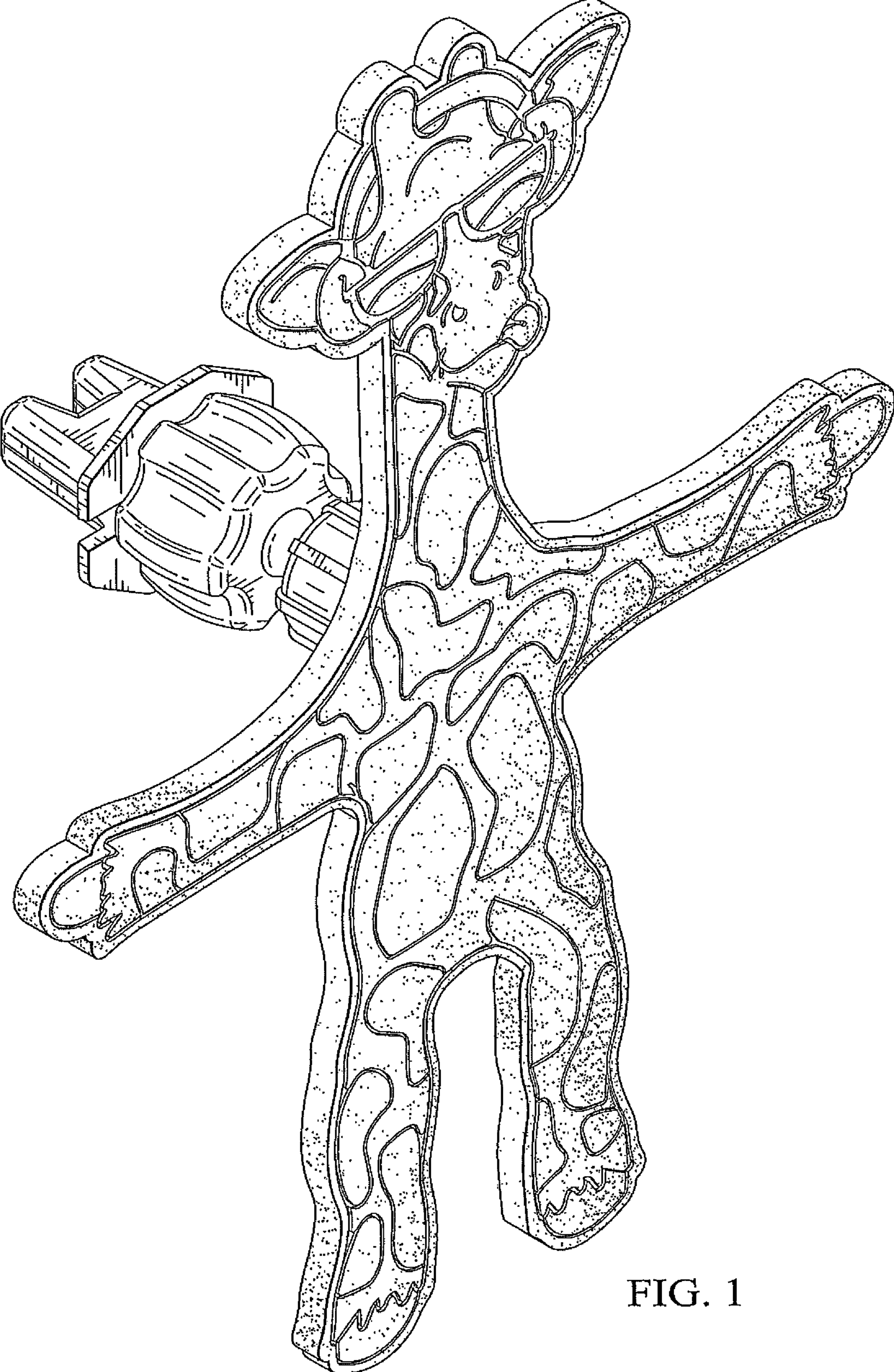


FIG. 1

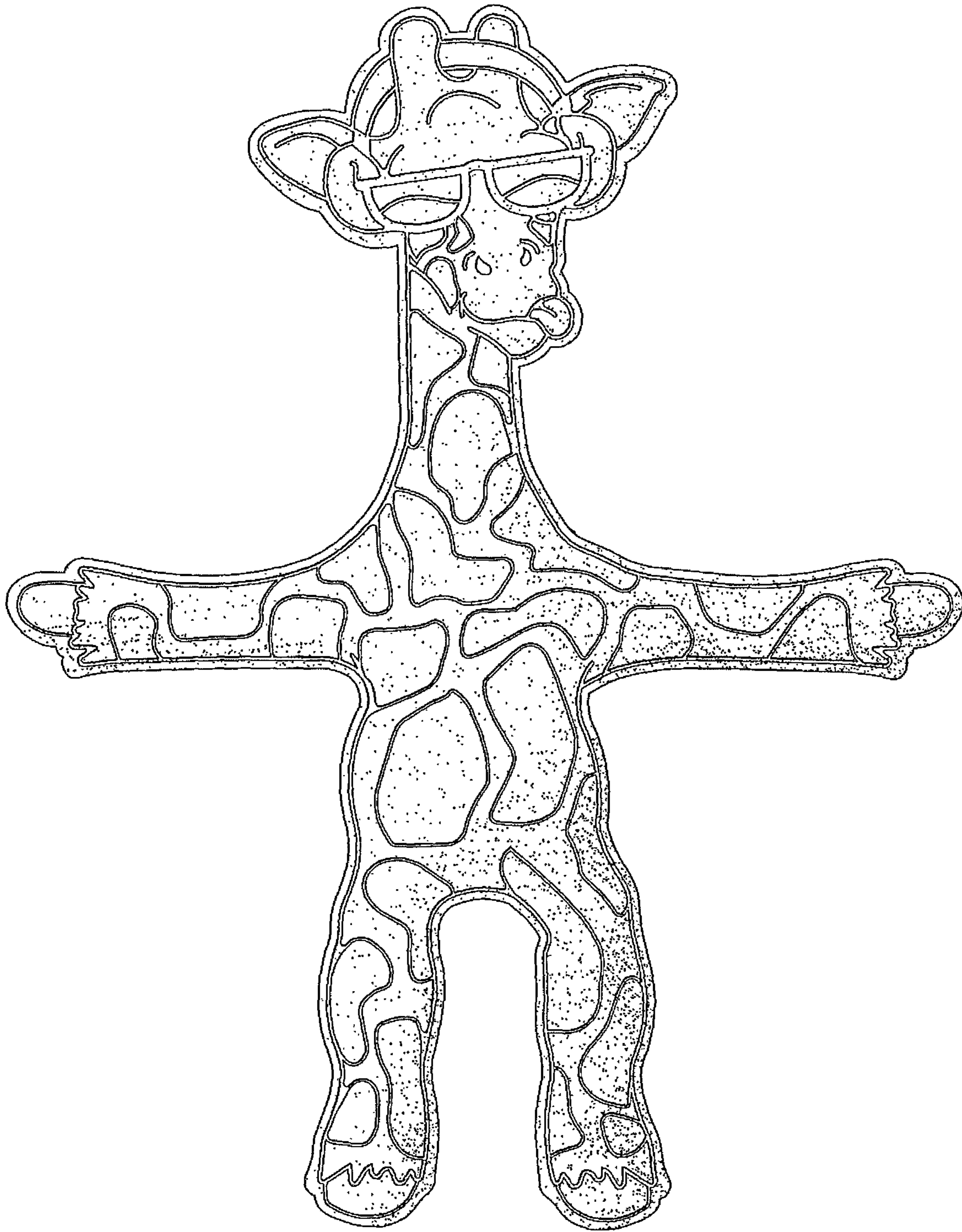


FIG. 2

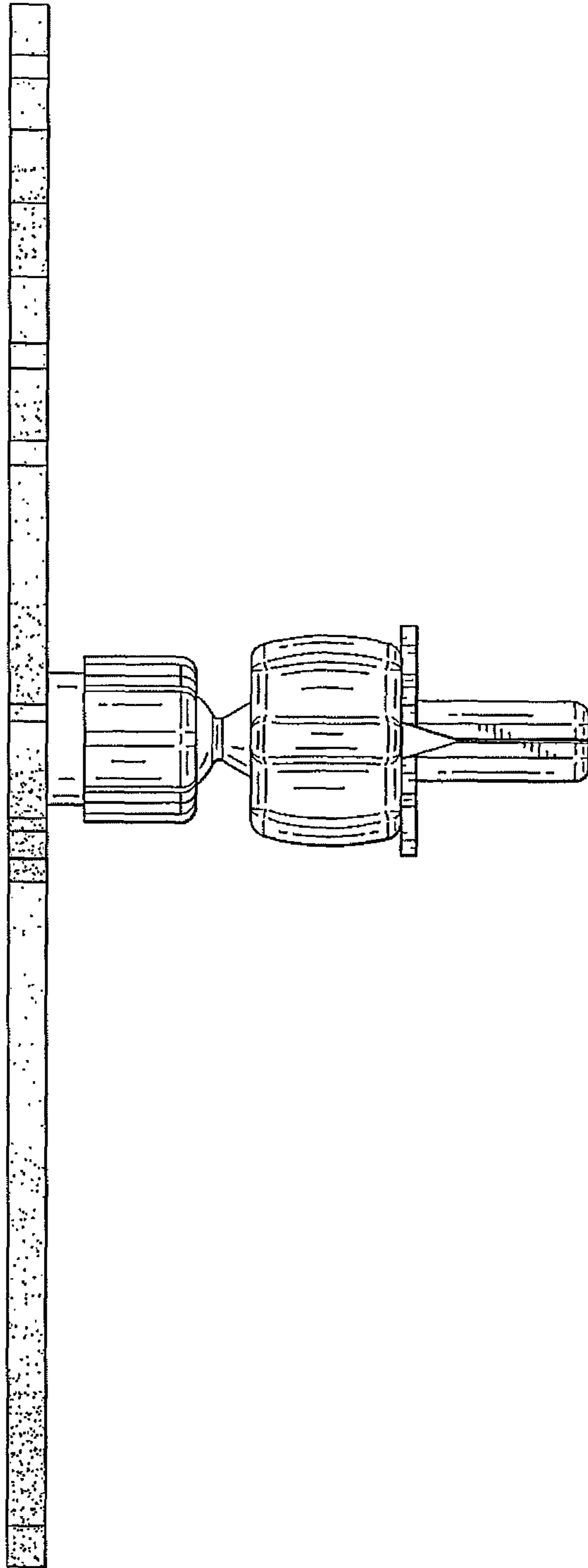


FIG. 3

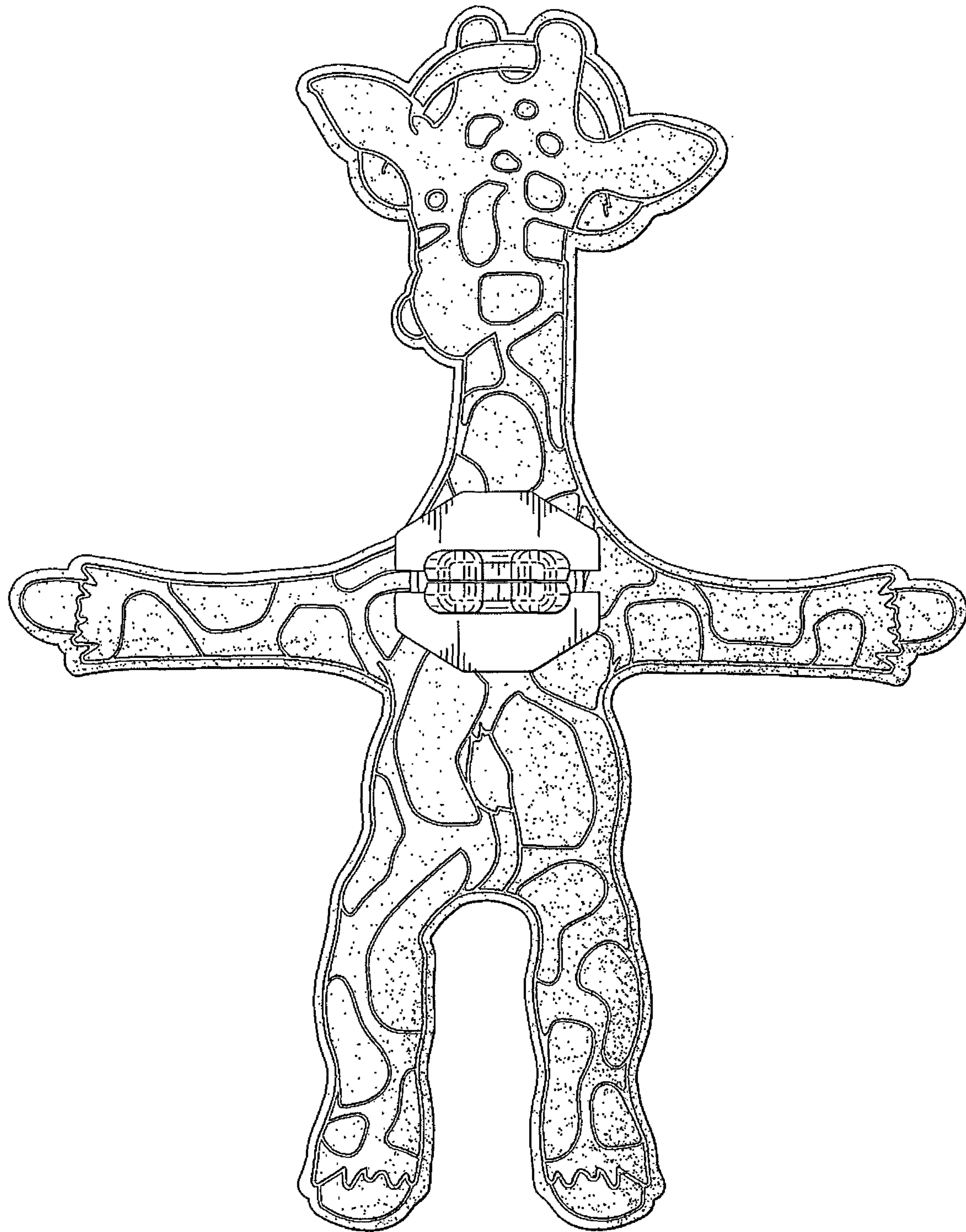


FIG. 4

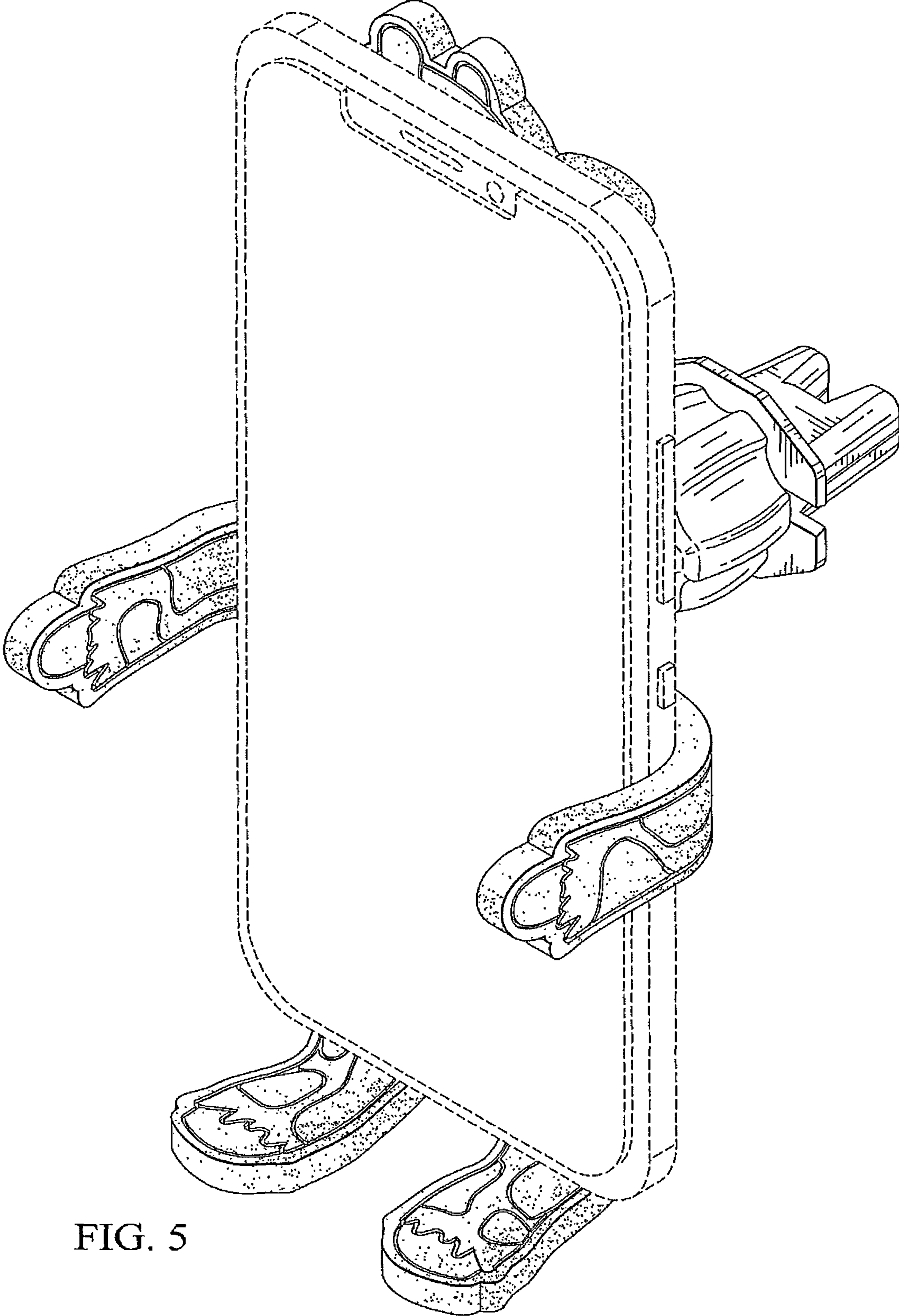


FIG. 5