

US00D978126S

(12) **United States Design Patent**
Liu

(10) **Patent No.:** **US D978,126 S**

(45) **Date of Patent:** **** Feb. 14, 2023**

(54) **PHONE CASE**

(71) Applicant: **Shenzhen iCase Technology Co., Ltd,**
Shenzhen (CN)

(72) Inventor: **Ying Liu,** Shenzhen (CN)

(**) Term: **15 Years**

(21) Appl. No.: **29/854,459**

(22) Filed: **Sep. 26, 2022**

(30) **Foreign Application Priority Data**

Aug. 8, 2022 (CN) 202230513873.8

(51) **LOC (14) Cl.** **14-03**

(52) **U.S. Cl.**
USPC **D14/250; D3/218**

(58) **Field of Classification Search**
USPC D3/201, 218, 247, 249, 269; D13/107,
D13/108, 118, 119; D14/217, 248,
D14/250–253, 432, 440

CPC H04B 1/3888; H04M 1/0283; H04M
1/0202; A45F 2005/028; A45F 2200/0525
See application file for complete search history.

(56) **References Cited**

U.S. PATENT DOCUMENTS

D782,436 S * 3/2017 Kwak D14/345
D788,726 S * 6/2017 Lee D14/138 AB
10,064,298 B2 * 8/2018 Cavenagh H05K 5/0021
D828,318 S * 9/2018 Seo D14/138 AD
D851,920 S * 6/2019 Mouriz D3/218
D851,921 S * 6/2019 Goetz D3/218
D862,081 S * 10/2019 Lange D3/249
D880,149 S * 4/2020 Yang D3/226
D891,101 S * 7/2020 Lv D3/249
D902,167 S * 11/2020 Lee D14/138 AB
D908,353 S * 1/2021 Peng D3/249
D911,323 S * 2/2021 Kim D14/250
D933,644 S * 10/2021 Choi D14/250

D935,170 S * 11/2021 Yang D3/218
D947,829 S * 4/2022 Choi D14/250
D954,014 S * 6/2022 Song D14/138 AB
D954,038 S * 6/2022 Zhong
D964,956 S * 9/2022 Gong D14/138 AB
D965,545 S * 10/2022 Song D14/138 AB

(Continued)

OTHER PUBLICATIONS

Aioria Case for Samsung Galaxy Z Flip 4, publication date Jul. 7, 2022, [online] URL: <https://www.amazon.com/Samsung-Galaxy-Premium-Leather-Protective/dp/B0B5ZV2BQ6/> (Year: 2022).*

(Continued)

Primary Examiner — L. A. Grabenstetter

(74) *Attorney, Agent, or Firm* — Rumit Ranjit Kanakia

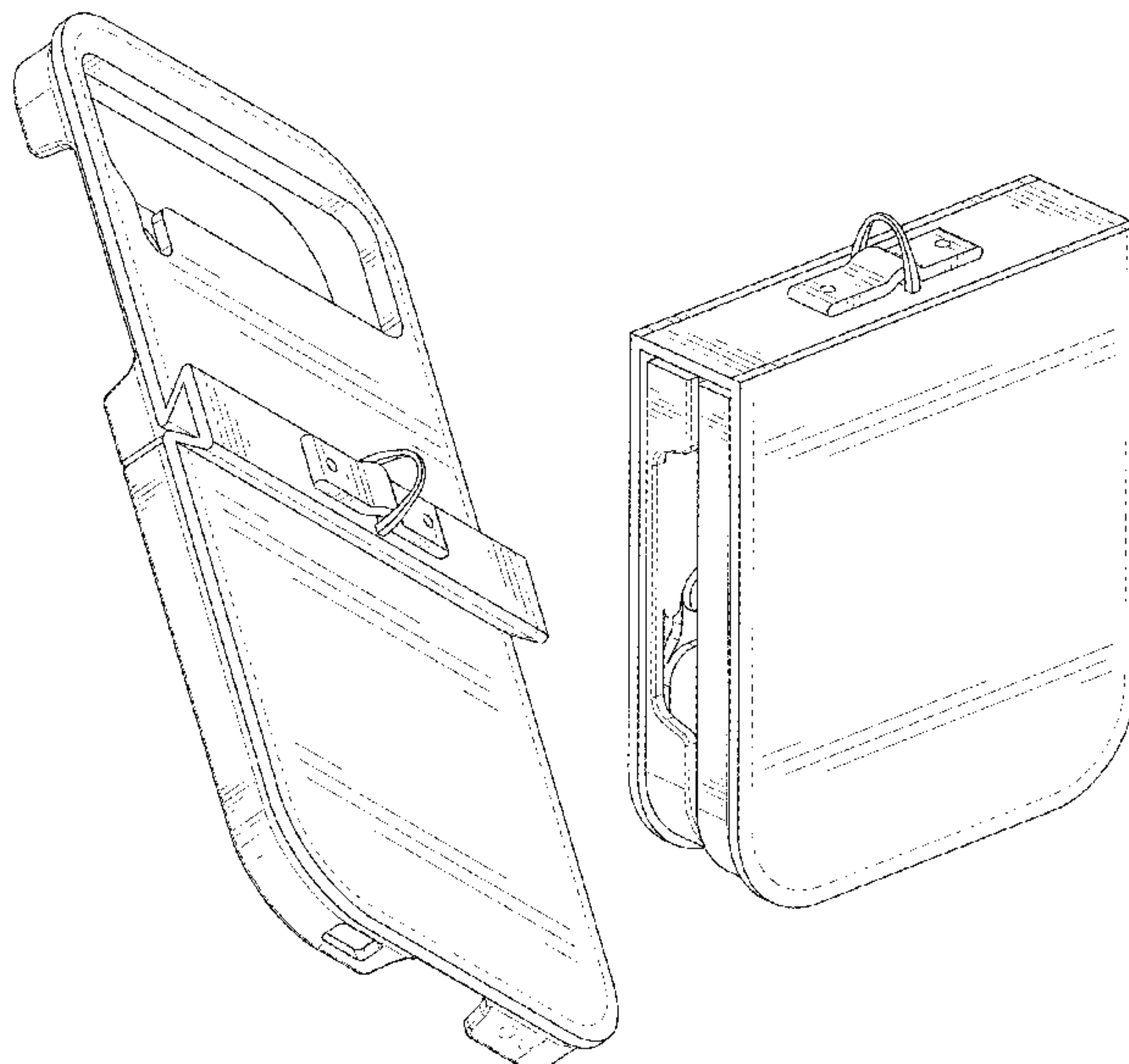
(57) **CLAIM**

The ornamental design for a phone case, as shown and described.

DESCRIPTION

FIG. 1 is a back, right side perspective view of a phone case showing my new design, shown in a fully open state; FIG. 2 is a front, left side perspective view thereof; FIG. 3 is a front view thereof; FIG. 4 is a back view thereof; FIG. 5 is a left side view thereof; FIG. 6 is a right side view thereof; FIG. 7 is a top view thereof; FIG. 8 is a bottom view thereof; FIG. 9 is a back, right side perspective view of a fully closed state of the phone case thereof; FIG. 10 is a back, left side perspective view thereof; and, FIG. 11 is a back, right side perspective view of a partially closed state of the phone case thereof. The broken lines shown in the drawings depict portions of the phone case that form no part of the claimed design.

1 Claim, 11 Drawing Sheets



(56)

References Cited

U.S. PATENT DOCUMENTS

D965,547 S * 10/2022 Song D14/138 AB
2017/0123217 A1 * 5/2017 Dukerschein G02B 30/37
2017/0188675 A1 * 7/2017 Ahmed A45C 13/005
2022/0166456 A1 * 5/2022 Dannenberg H04B 1/3888

OTHER PUBLICATIONS

Goospery EZ Mount Wallet Case Compatible with Galaxy Z Flip 4, publication date Jul. 26, 2022, [online] URL: <https://www.amazon.com/dp/B0B7MJZVJK> (Year: 2022).*

GooseBox for Samsung Galaxy Z Flip 4 Leather Wallet Case with Card Holder, publication date Jul. 21, 2022, [online] URL: <https://www.amazon.com/GooseBox-Shockproof-Anti-Scratch-Full-Body-Protective/dp/B0B776R523/> (Year: 2022).*

Feitenn Case for Galaxy Z Flip 4, publication date Jul. 20, 2022, [online] URL: <https://www.amazon.com/Feitenn-Galaxy-Phone-Compatible-Samsung/dp/B0B743CRPG/> (Year: 2022).*

Cresee Case for Samsung Galaxy Z Flip, publication date Jul. 23, 2022, [online] URL: <https://www.amazon.com/Cresee-Samsung-Genuine-Leather-Protective/dp/B0B7CY57NZ/> (Year: 2022).*

* cited by examiner

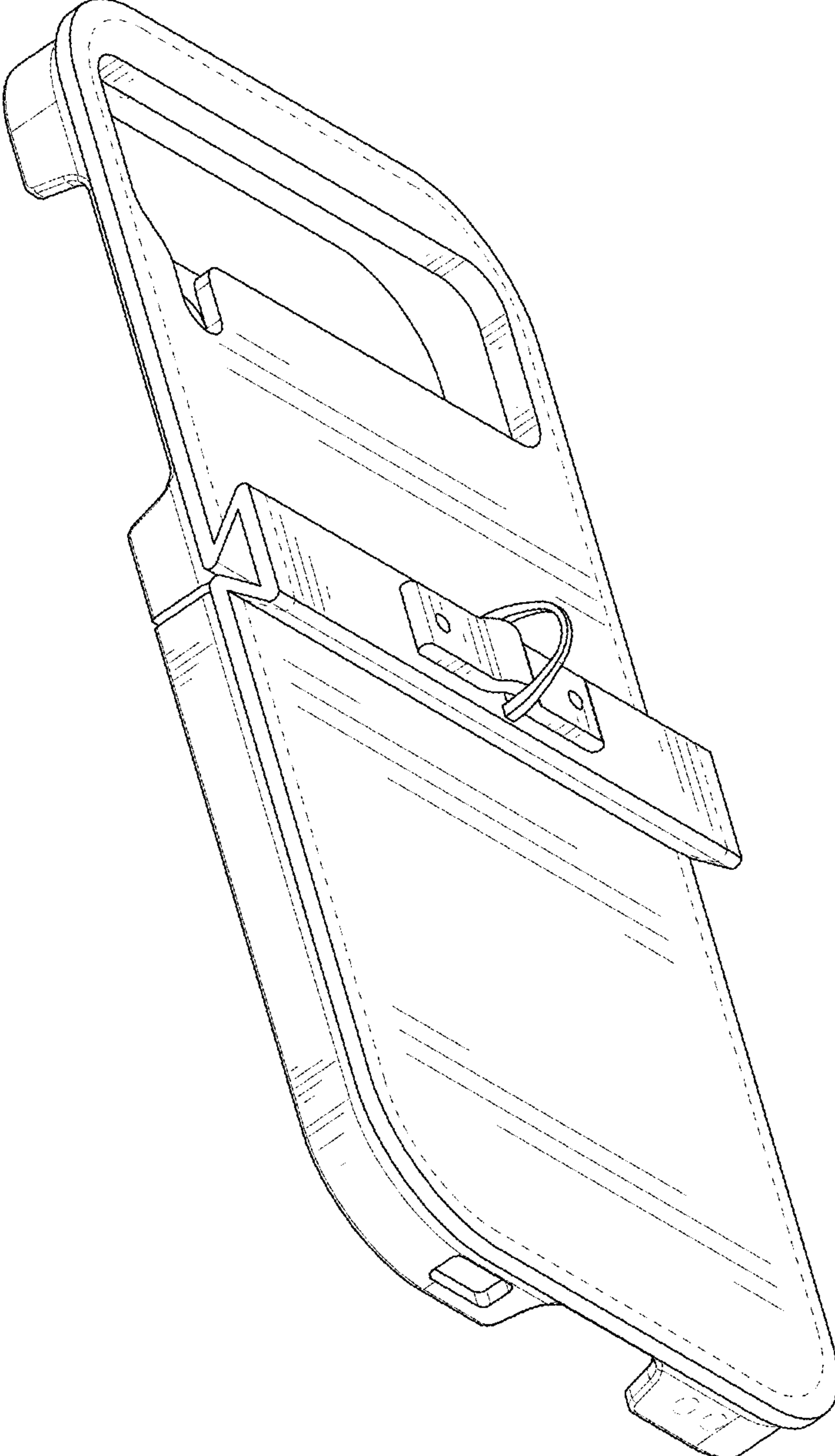


FIG. 1

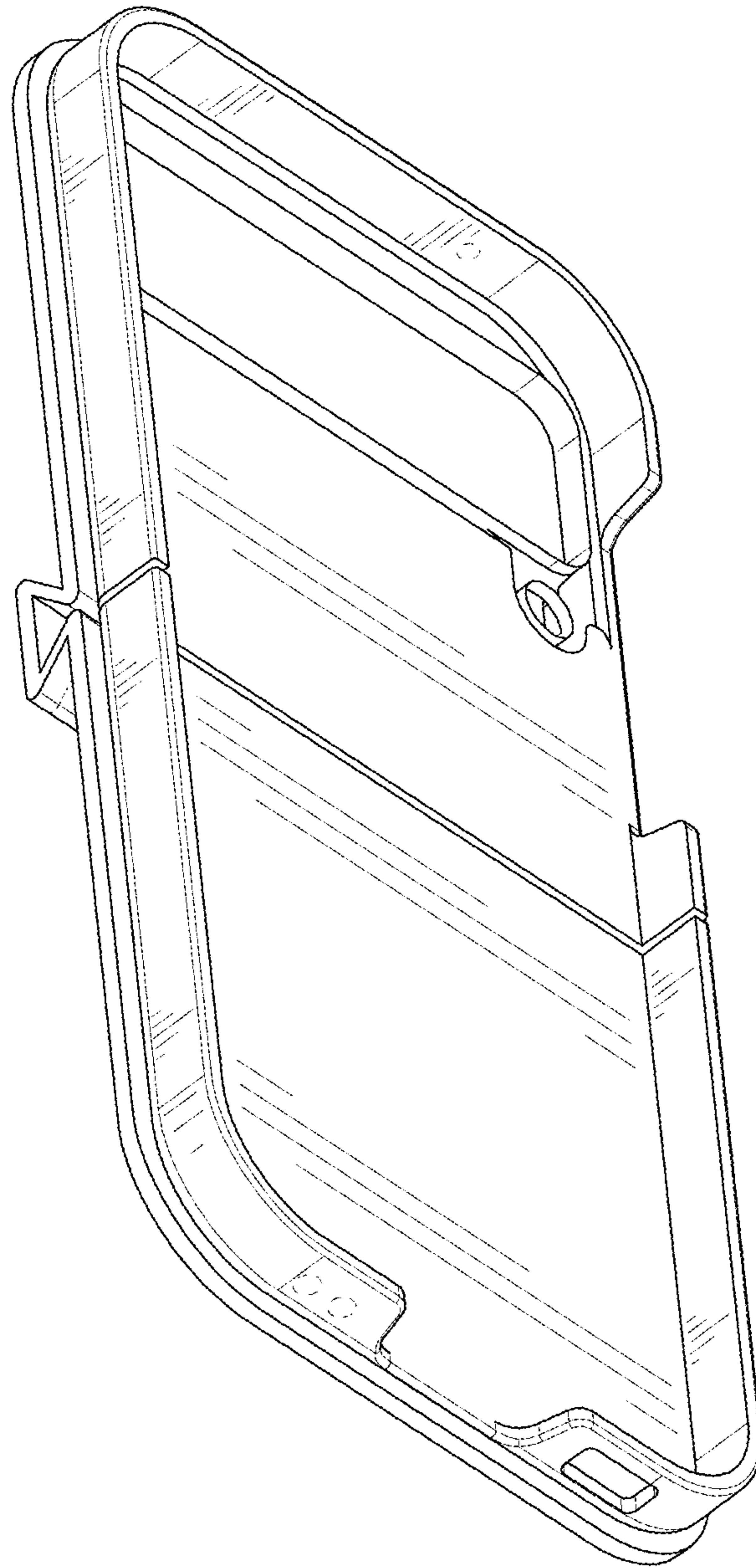


FIG. 2

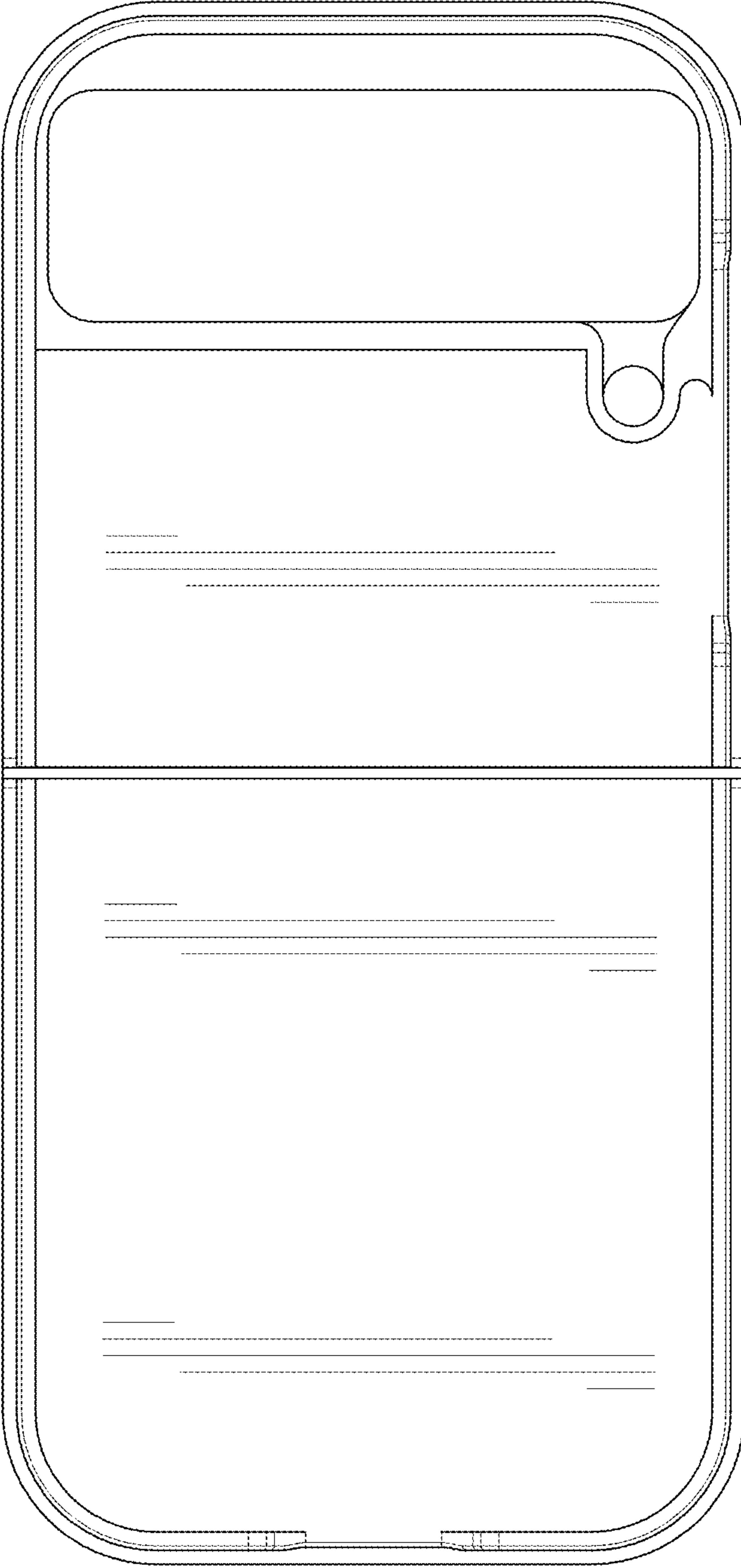


FIG. 3

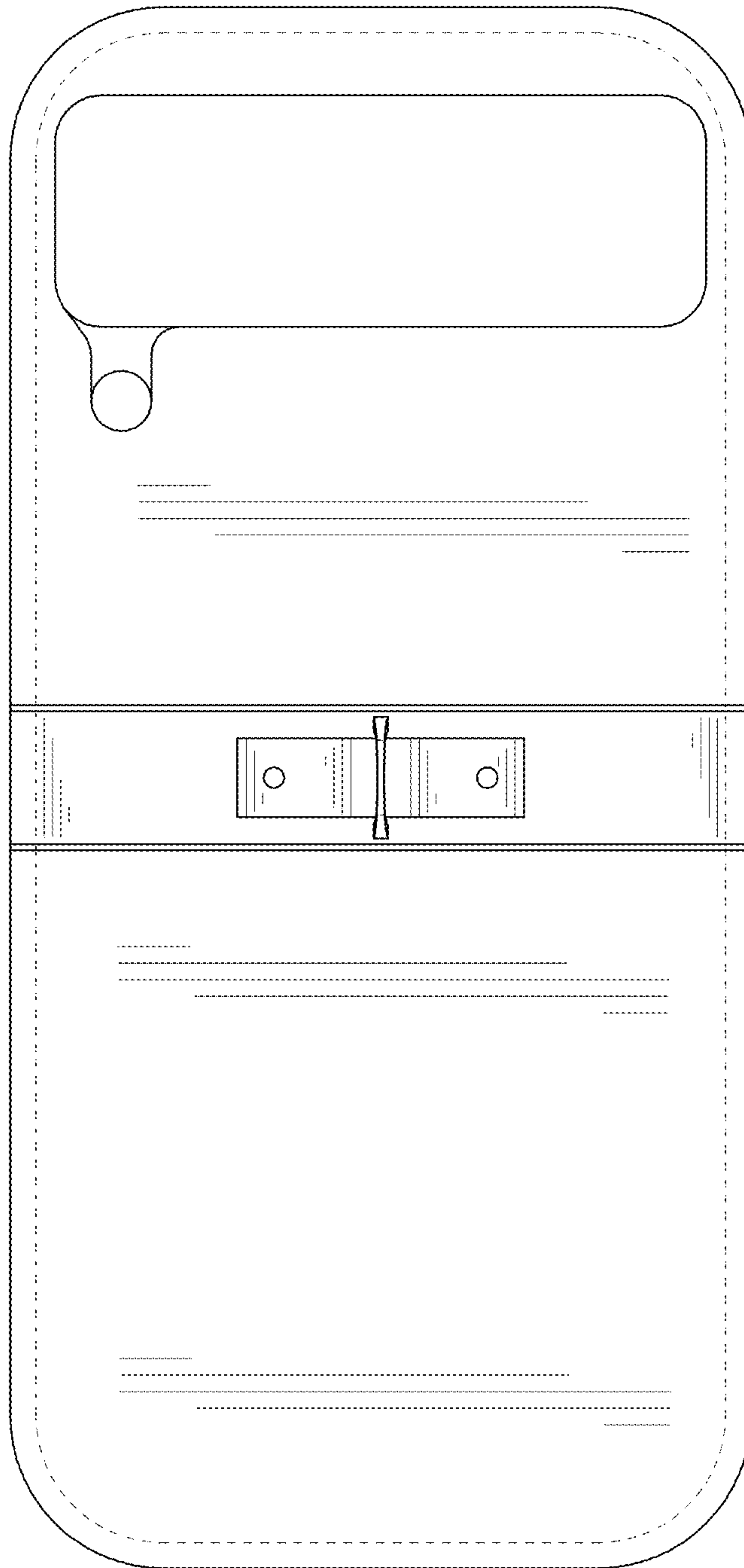


FIG. 4

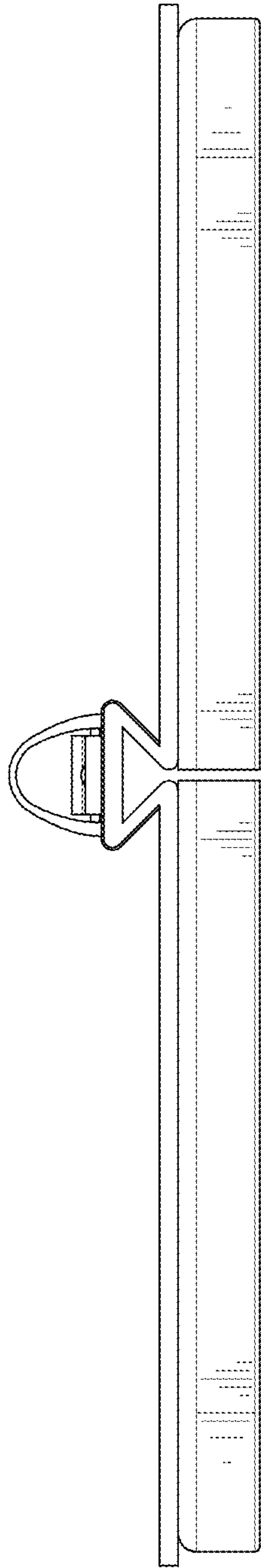


FIG. 5

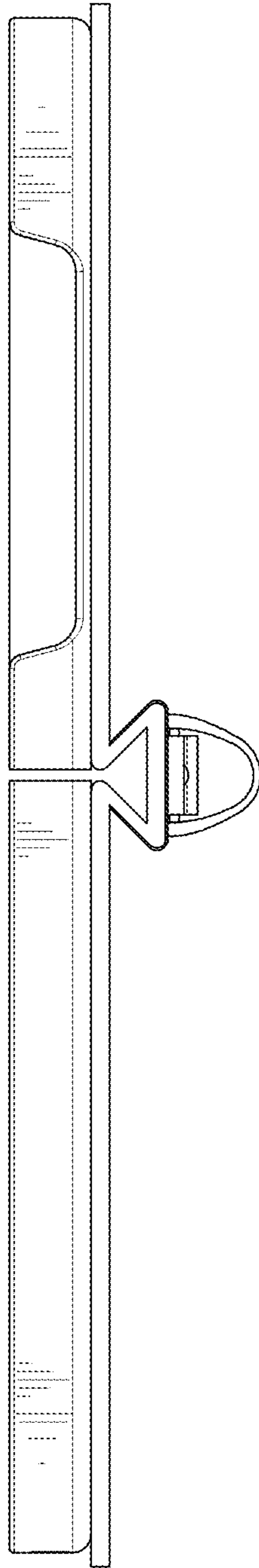


FIG. 6

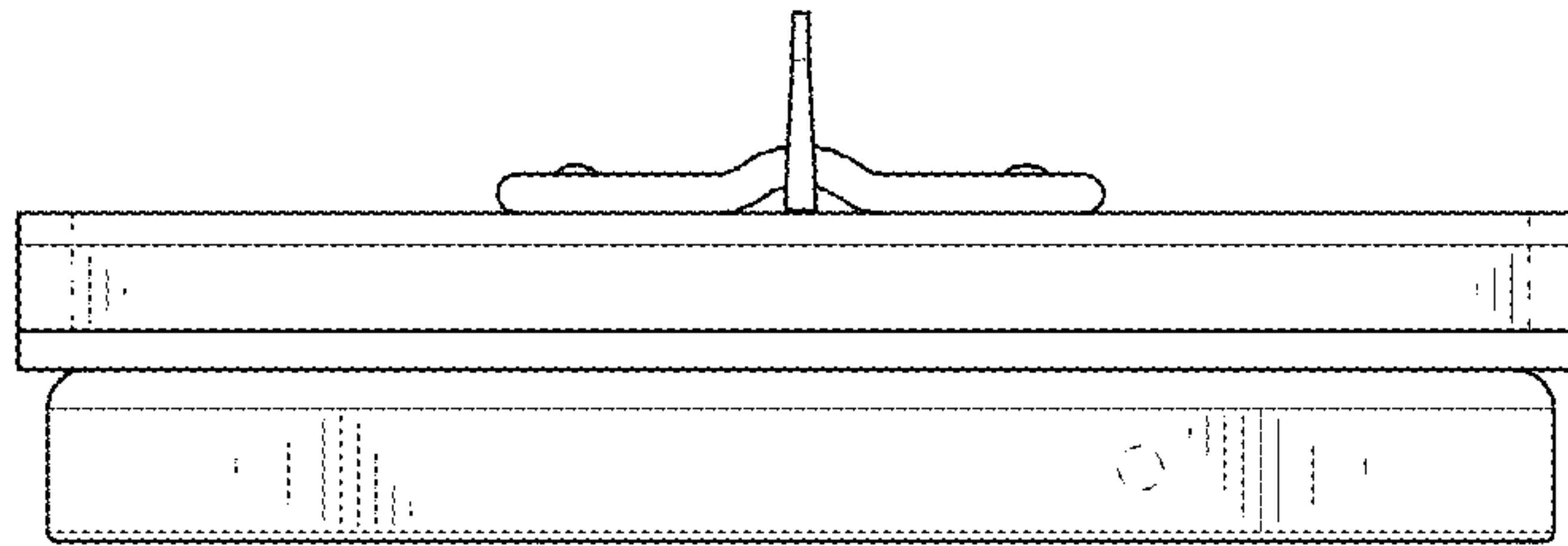


FIG. 7

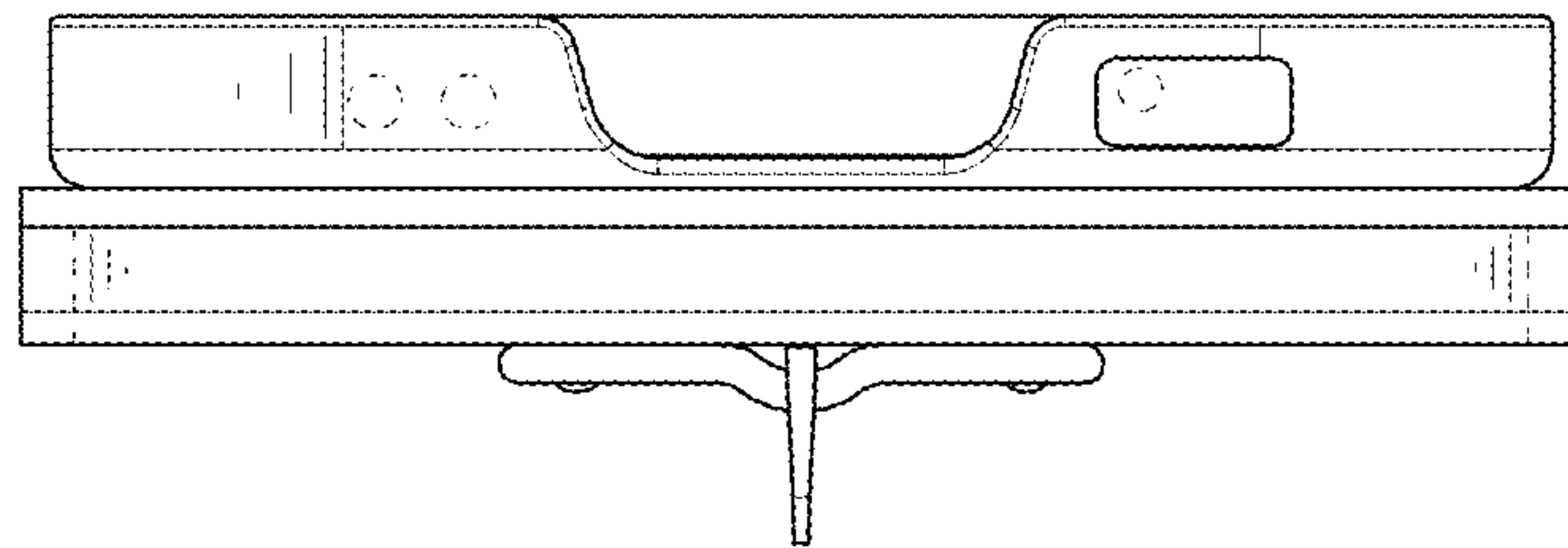


FIG. 8

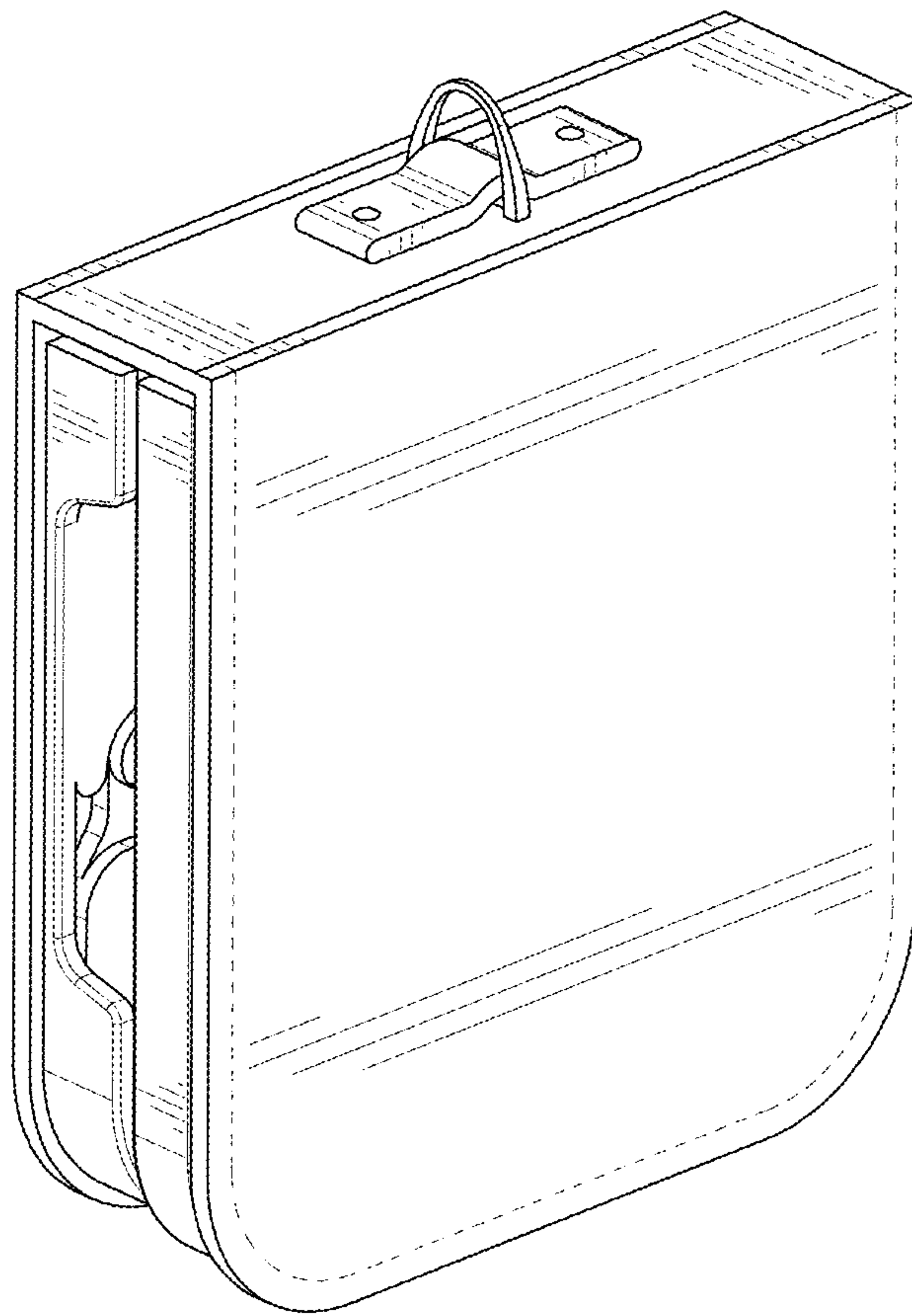


FIG. 9

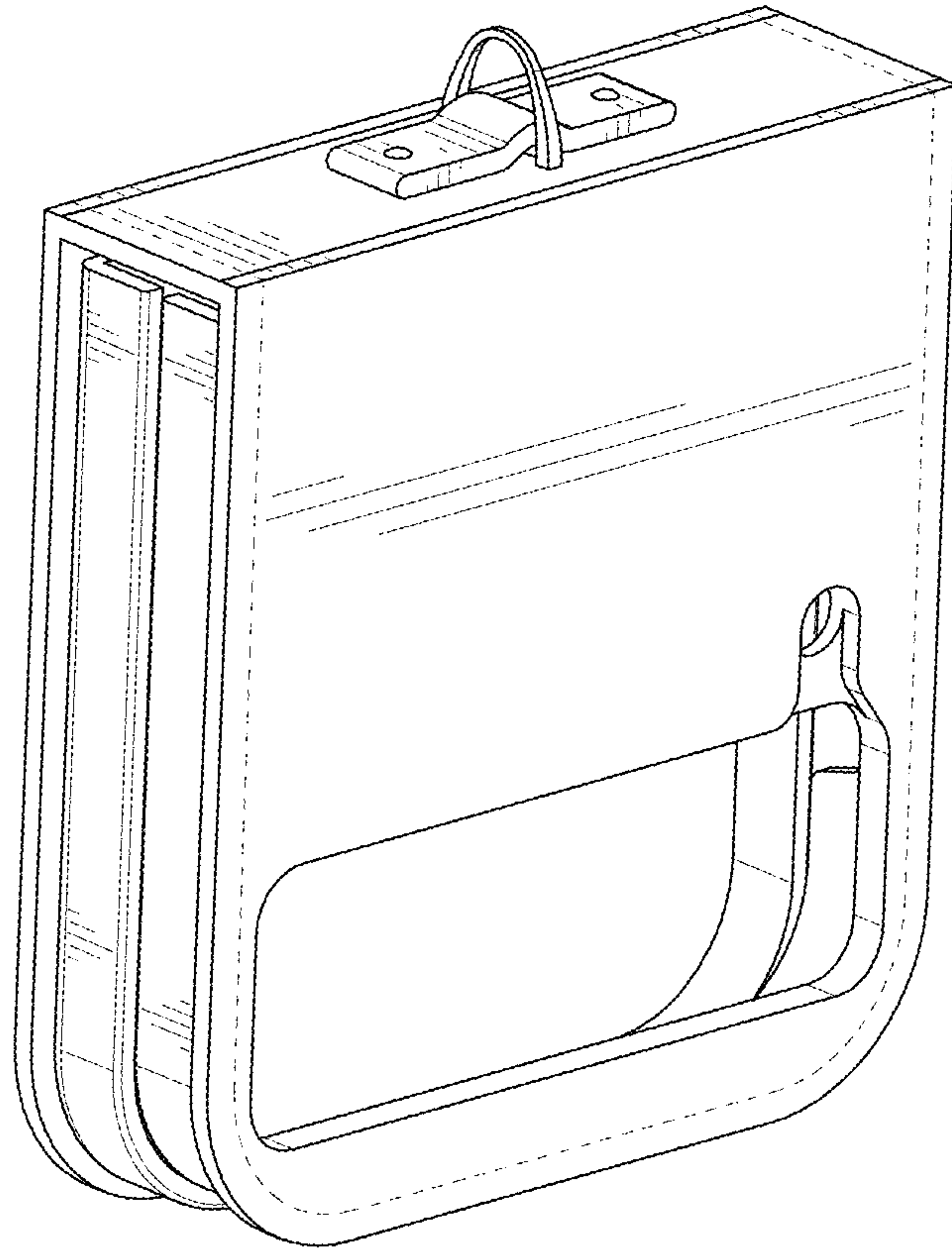


FIG. 10

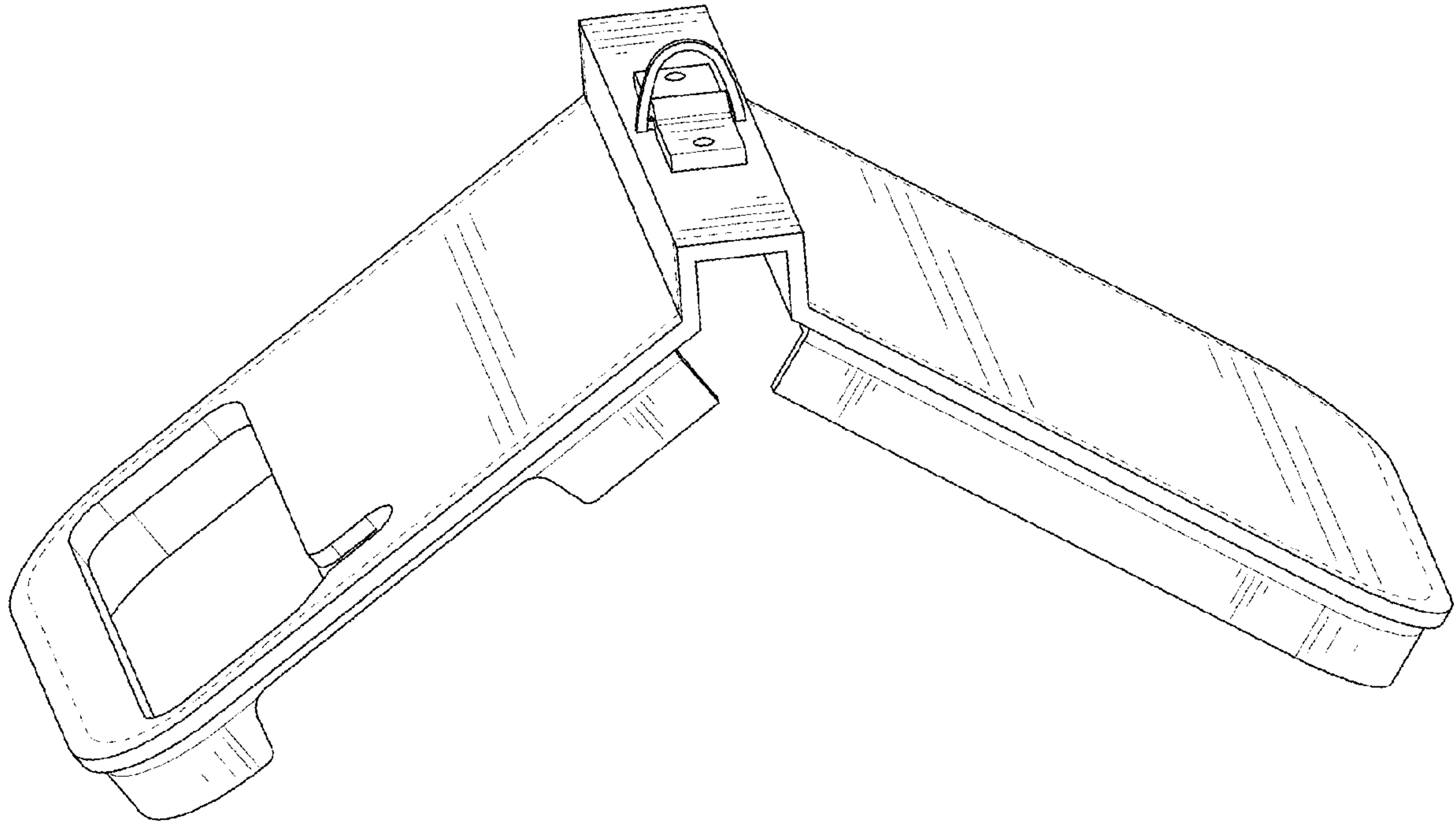


FIG. 11