



US00D978125S

(12) **United States Design Patent**
Zhang

(10) **Patent No.:** **US D978,125 S**

(45) **Date of Patent:** **** Feb. 14, 2023**

- (54) **PHONE PROTECTIVE CASE**
- (71) Applicant: **Shenzhen Weizhen Technology Co., Ltd.**, Guangdong (CN)
- (72) Inventor: **Lin Zhang**, Guangdong (CN)
- (73) Assignee: **Shenzhen Weizhen Technology Co., Ltd.**, Shenzhen (CN)
- (**) Term: **15 Years**
- (21) Appl. No.: **29/853,676**
- (22) Filed: **Sep. 17, 2022**
- (51) **LOC (14) Cl.** **14-03**
- (52) **U.S. Cl.**
USPC **D14/250**
- (58) **Field of Classification Search**
USPC D3/201, 218, 247, 249, 269; D13/107,
D13/108, 118, 119; D14/217, 248,
D14/250–253, 432, 440
CPC H04B 1/3888; H04M 1/0283; H04M
1/0202; A45F 2005/028; A45F 2200/0525
See application file for complete search history.

- D901,480 S * 11/2020 Altschul H04M 1/0279
D14/250
- D902,913 S * 11/2020 Lee D14/250
- D904,383 S * 12/2020 Kim D14/250
- D906,317 S * 12/2020 Kim D14/250
- D908,121 S * 1/2021 Weng D14/250
- D908,674 S * 1/2021 Kim D14/250
- D918,888 S * 5/2021 Feng D14/250
- D936,047 S * 11/2021 Feng D14/250
- D947,167 S * 3/2022 Brown D14/250
- D965,577 S * 10/2022 Xu D14/250

(Continued)

OTHER PUBLICATIONS

Smartish iPhone 13 Pro Protective Case—Gripzilla, publication date Aug. 30, 2021, [online] URL: <https://www.amazon.com/dp/B097Q9R33V> (Year: 2021).*

(Continued)

Primary Examiner — L. A. Grabenstetter

(57) **CLAIM**

The ornamental design for a phone protective case, as shown and described.

DESCRIPTION

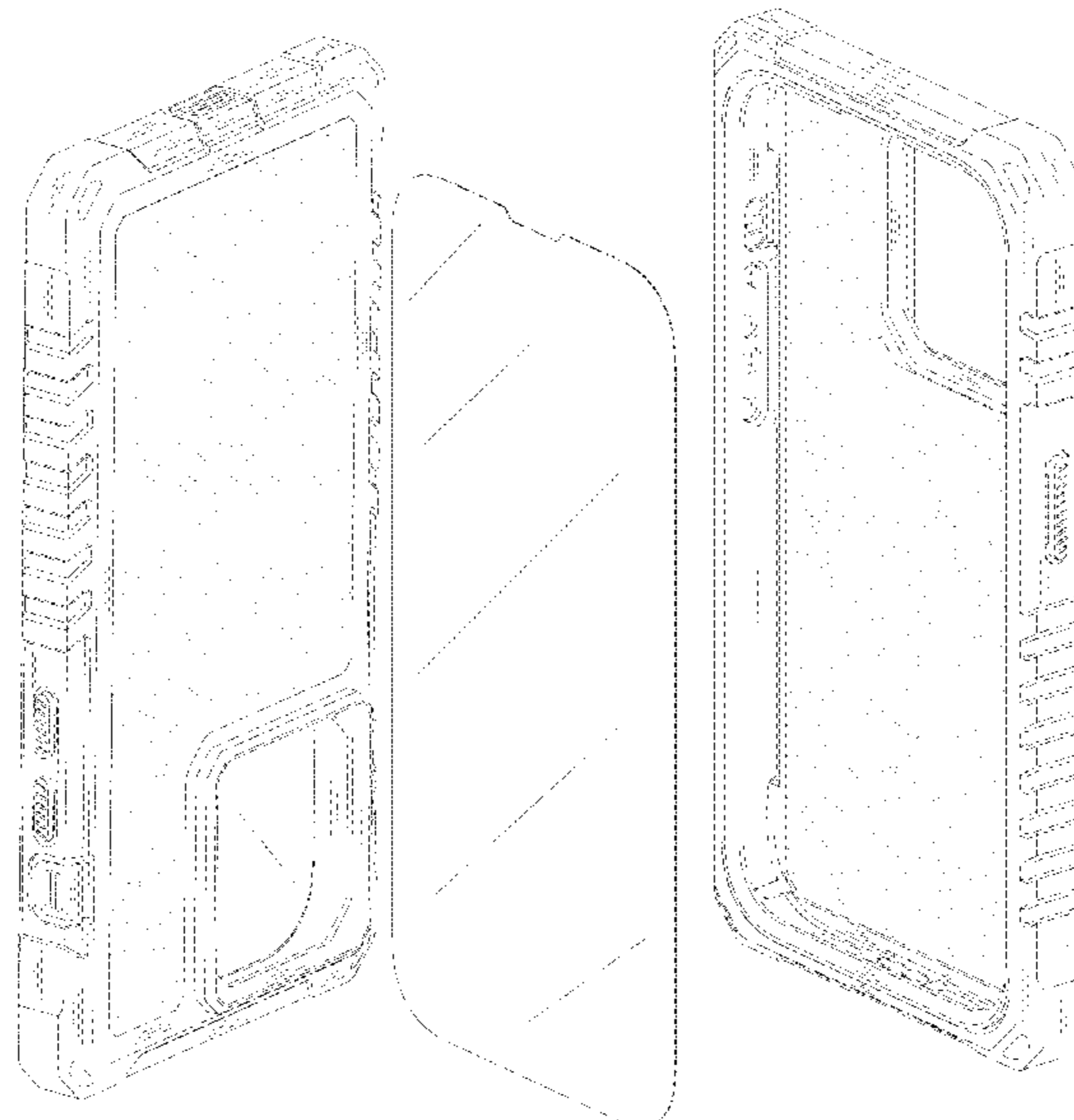
FIG. 1 is a front, right and top perspective view of a phone protective case showing my new design;
FIG. 2 is back, left and bottom perspective view thereof;
FIG. 3 is a front elevational view thereof;
FIG. 4 is a back elevational view thereof;
FIG. 5 is a left side elevational view thereof;
FIG. 6 is a right side elevational view thereof;
FIG. 7 is a top plan view thereof;
FIG. 8 is a bottom plan view thereof; and,
FIG. 9 is an exploded front, right and top perspective view showing the transparent cover separated from the phone protective case.

1 Claim, 9 Drawing Sheets

(56) **References Cited**

U.S. PATENT DOCUMENTS

- D728,549 S * 5/2015 Su D14/250
- D776,646 S 1/2017 Deng
- D807,335 S * 1/2018 Kitade D14/341
- D812,600 S * 3/2018 Altaras D14/250
- D846,542 S * 4/2019 Sasaki D14/250
- D848,409 S 5/2019 Feng
- D862,451 S * 10/2019 Ahn D14/250
- D865,739 S * 11/2019 Altschul D14/250
- 10,470,544 B2 * 11/2019 Adrain A45C 15/00
- D868,765 S * 12/2019 Batta D14/250
- D876,421 S * 2/2020 Armstrong D14/250
- D879,760 S * 3/2020 Altschul D14/250
- D882,559 S * 4/2020 Truong D14/250
- D901,479 S * 11/2020 Altschul D14/250



(56)

References Cited

U.S. PATENT DOCUMENTS

2016/0021996 A1* 1/2016 Tien B65D 81/053
224/191

OTHER PUBLICATIONS

Poetic Guardian Series Case Designed for Motorola Moto One 5G Ace, publication date Mar. 16, 2021, [online] URL: <https://www.amazon.com/dp/B08Z3QTRCP> (Year: 2021).*

Poetic Revolution Series Case for Motorola Moto One 5G Ace, publication date Jan. 20, 2021, [online] URL: <https://www.amazon.com/dp/B08TGR7GYT/> (Year: 2021).*

* cited by examiner

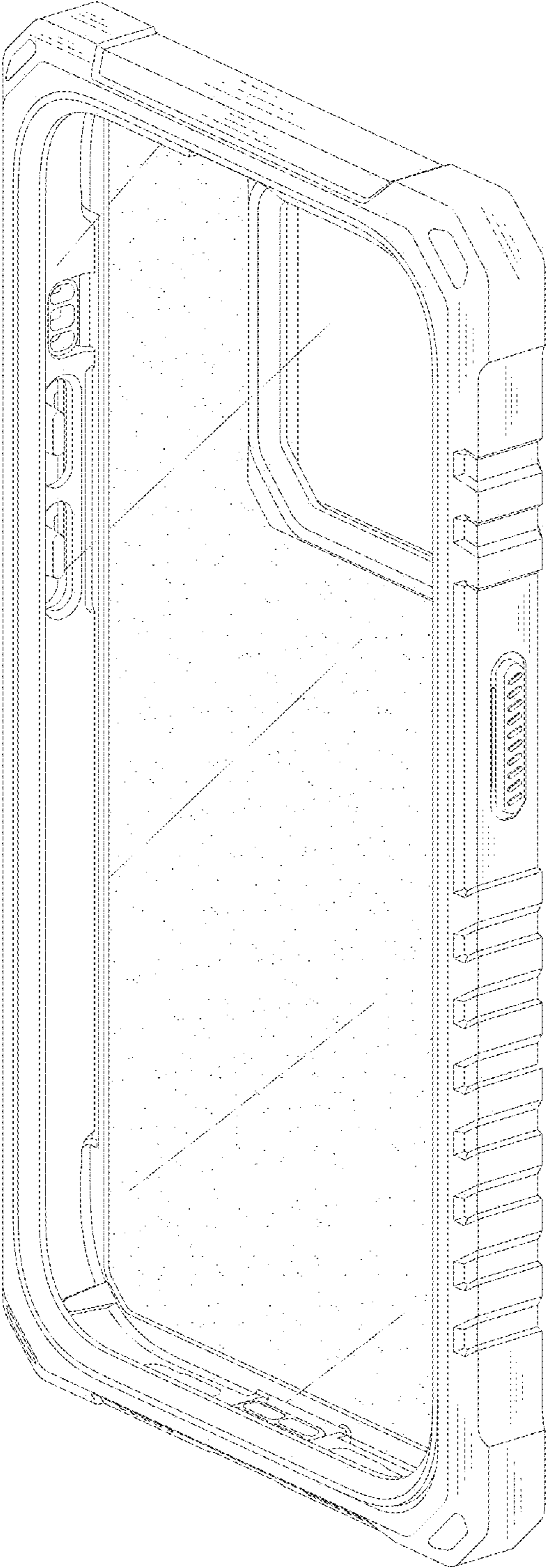


FIG. 1

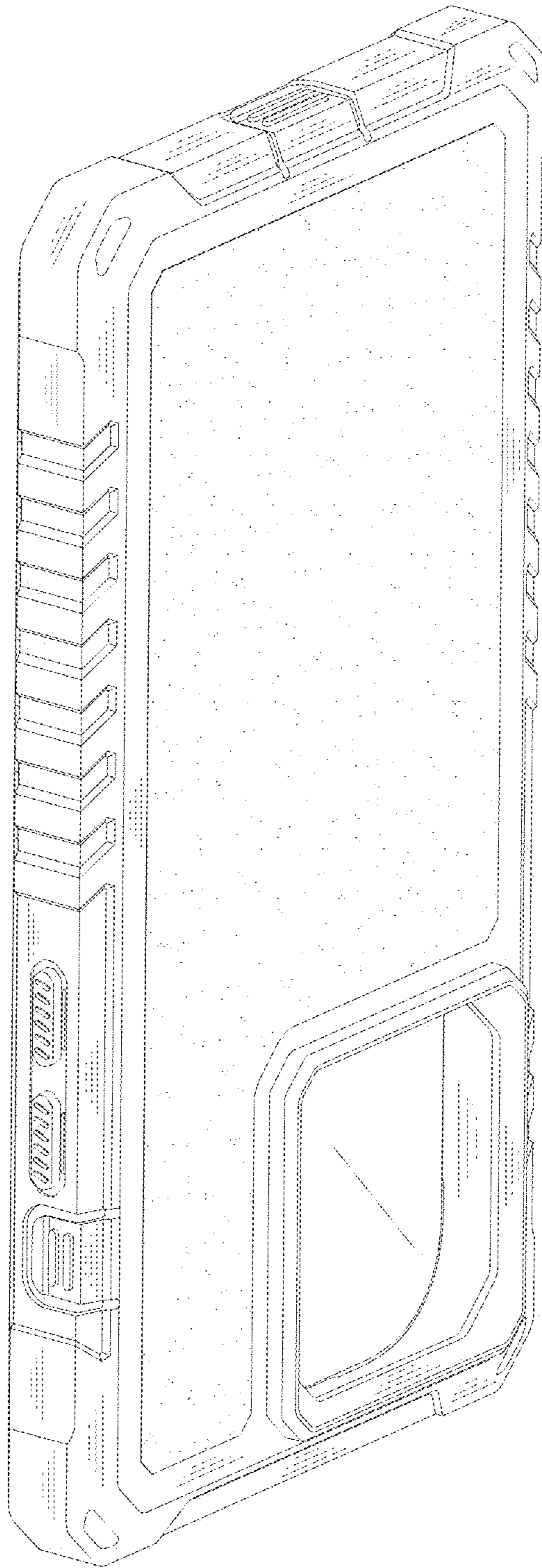


FIG. 2

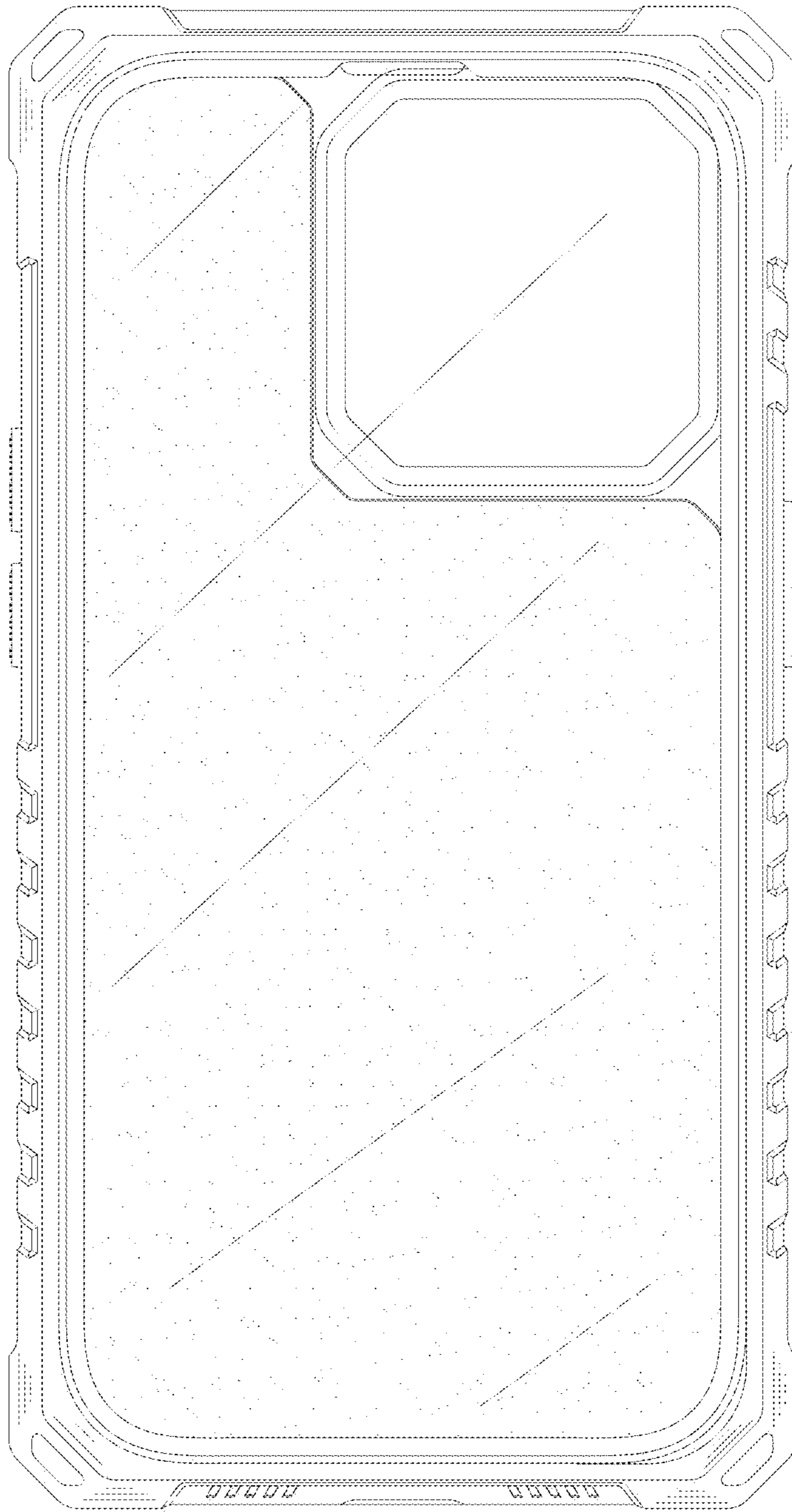


FIG. 3

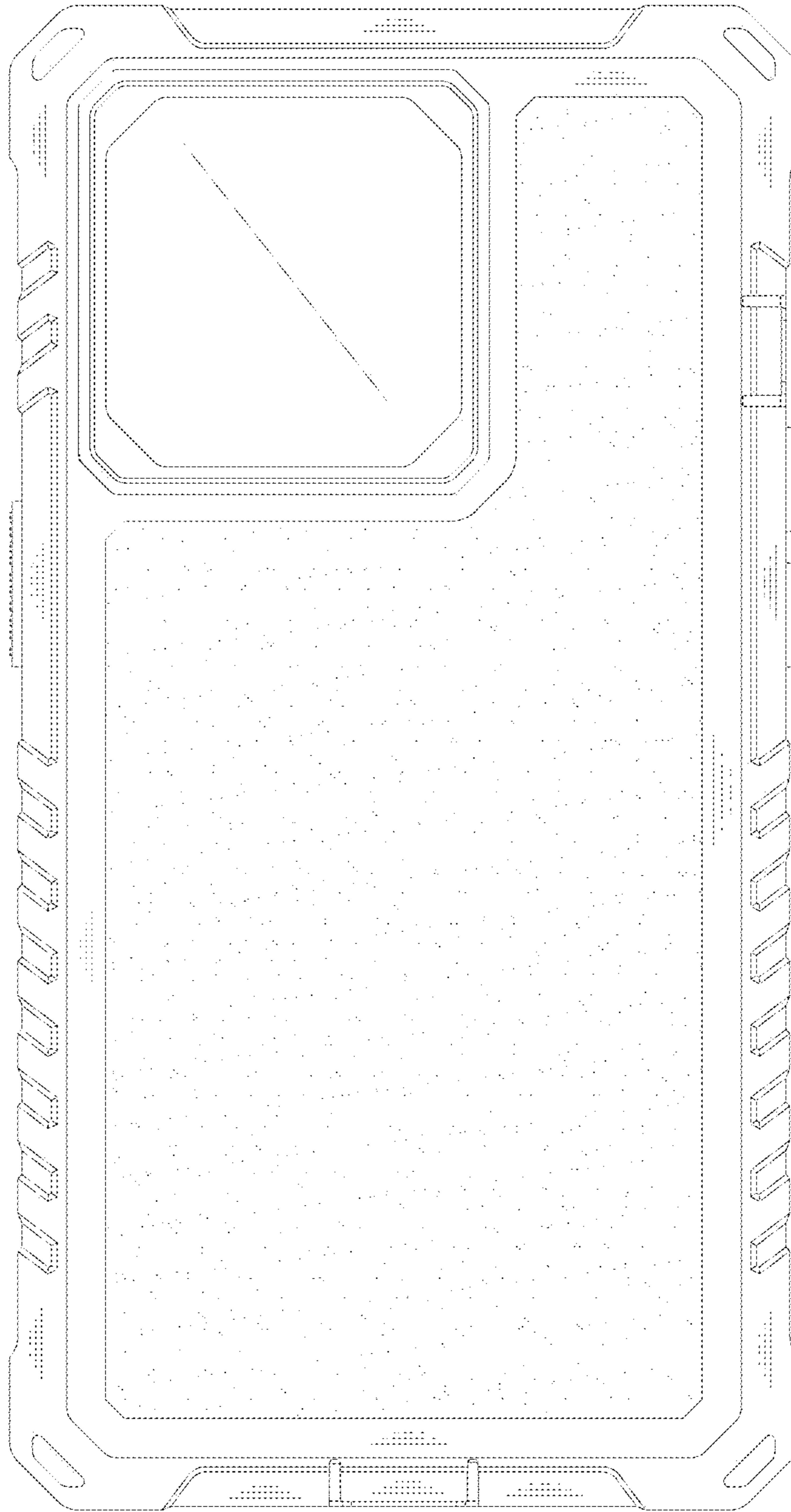


FIG. 4

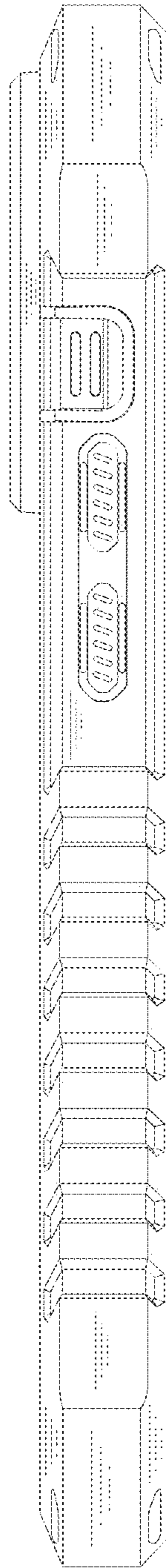


FIG. 5

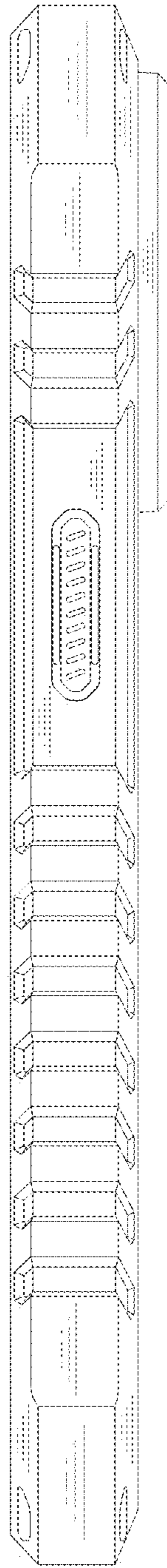


FIG. 6

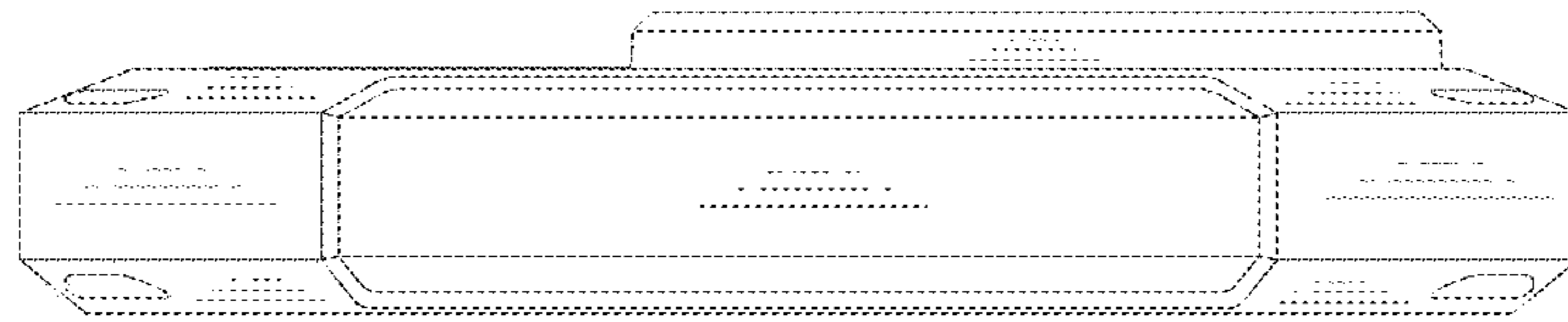


FIG. 7

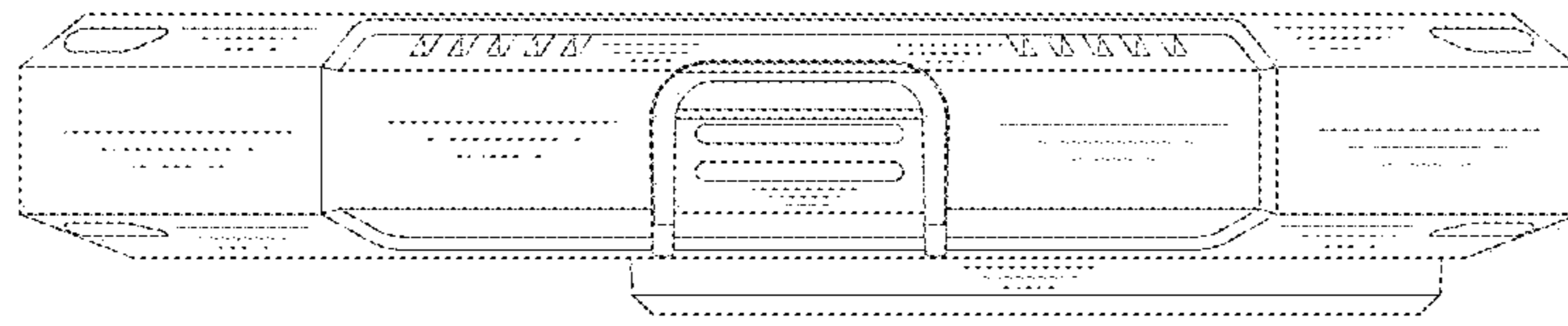


FIG. 8

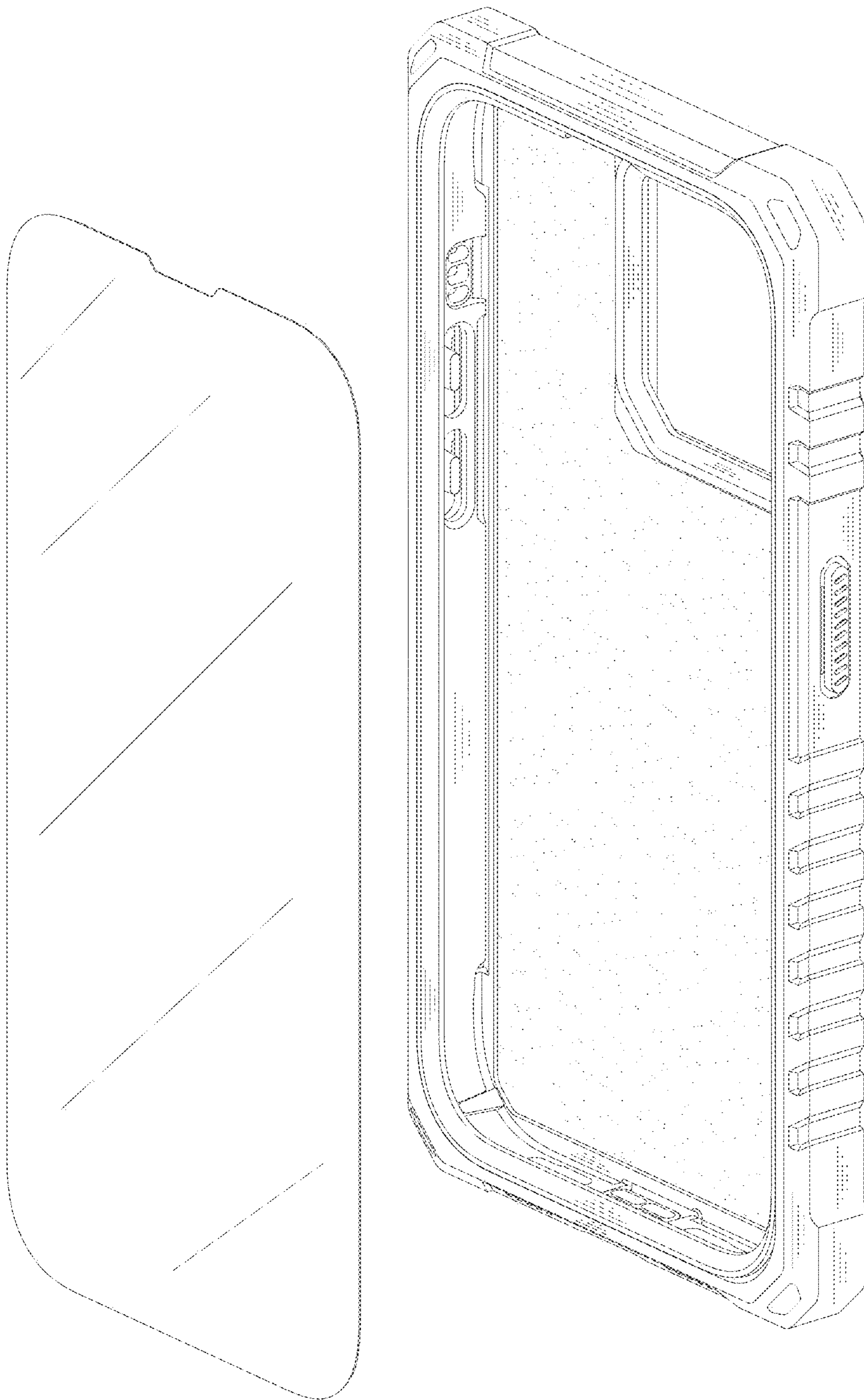


FIG. 9