



US00D978124S

(12) **United States Design Patent**
Wang

(10) **Patent No.:** **US D978,124 S**

(45) **Date of Patent:** **** Feb. 14, 2023**

(54) **MOBILE PHONE SHELL**

(71) Applicant: **Jinling Wang**, Yichun (CN)

(72) Inventor: **Jinling Wang**, Yichun (CN)

(**) Term: **15 Years**

(21) Appl. No.: **29/824,766**

(22) Filed: **Jan. 27, 2022**

(51) **LOC (14) Cl.** **14-03**

(52) **U.S. Cl.**
USPC **D14/250**

(58) **Field of Classification Search**
USPC D14/203.3–203.7, 439, 251–253, 447,
D14/217, 240, 238.1, 440, 248, 250;
D13/103, 107–108, 119; D3/201, 218,
D3/247, 249, 269, 273, 301, 303
CPC H04B 1/3888; A45C 11/00; A45C 13/02;
A45C 2011/002; A45C 1/06; A45F
2200/0525; A45F 2005/026; A45F
2200/0516; H04M 1/0283; H04M 1/0202
See application file for complete search history.

(56) **References Cited**

U.S. PATENT DOCUMENTS

D721,071 S *	1/2015	Nelson	D14/250
D740,798 S *	10/2015	Poon	D14/250
D765,632 S *	9/2016	Northrup	D14/250
D765,642 S *	9/2016	Bulkley	D14/250
D772,857 S *	11/2016	Poon	D14/250
D773,445 S *	12/2016	Witter	D14/250
D815,083 S *	4/2018	Fitzgerald	D14/250
D816,654 S *	5/2018	Chen	D14/250
D843,992 S	3/2019	Lu	
D843,995 S *	3/2019	Skovsted	D14/250
D845,292 S *	4/2019	Fitzgerald	D14/250
D850,451 S *	6/2019	Chen	D14/440
D851,078 S *	6/2019	Yuan	D14/250
D855,610 S *	8/2019	Wei	D14/250
D863,286 S	10/2019	Hong	

D877,135 S *	3/2020	Kim	D14/250
D899,415 S *	10/2020	Kwak	D14/250
D902,216 S *	11/2020	Xu	D14/440
D904,385 S *	12/2020	Weng	D14/250
D907,022 S *	1/2021	Xiong	D14/250
D907,618 S *	1/2021	Rodriguez	D14/250
D908,679 S *	1/2021	Kim	D14/250
D924,862 S *	7/2021	Chen	D14/250

(Continued)

Primary Examiner — Carla J Wright

(74) *Attorney, Agent, or Firm* — Zhihua Han

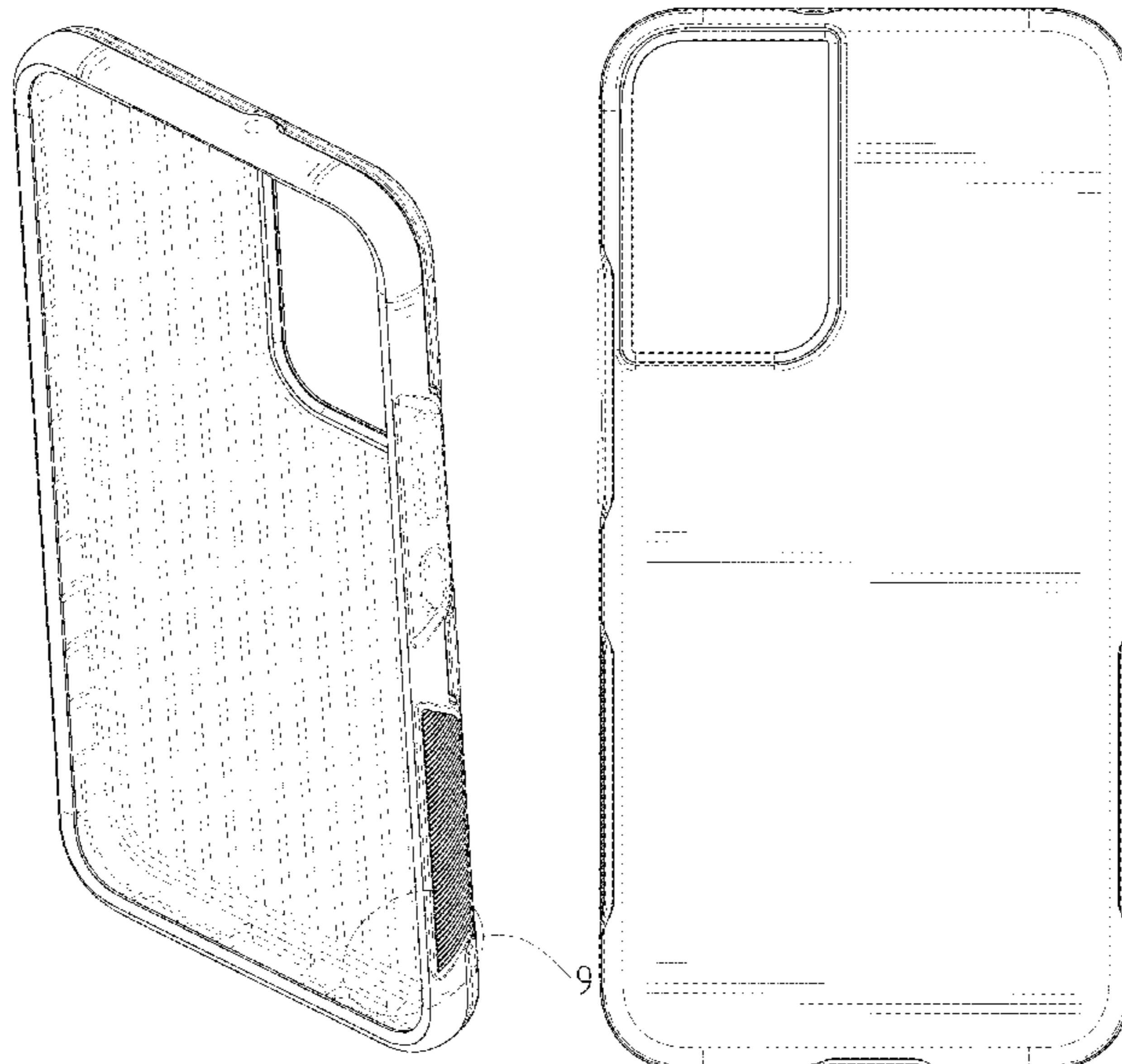
(57) **CLAIM**

The ornamental design for a mobile phone shell, as shown and described.

DESCRIPTION

FIG. 1 is a front, right-side, and top perspective view of a mobile phone shell showing my new design;
 FIG. 2 is a back, left-side, and bottom perspective view thereof;
 FIG. 3 is a front view thereof;
 FIG. 4 is a back view thereof;
 FIG. 5 is a left side view thereof;
 FIG. 6 is a right side view thereof;
 FIG. 7 is a top view thereof;
 FIG. 8 is a bottom view thereof;
 FIG. 9 is an enlarged view of the selected portion 9 in FIG. 1; and,
 FIG. 10 is an enlarged view of the selected portion 10 in FIG. 2.
 The dot-dash broken line circles in FIGS. 1-2 and 9-10 form no part of the claimed design and delineate portions of the mobile phone shell, including claimed subject matter, that are shown on an enlarged scale in FIGS. 9 and 10. The dashed broken lines throughout the drawing figures form no part of the claimed design and depict portions of the mobile phone shell that form no part of the claimed design.

1 Claim, 10 Drawing Sheets



(56)

References Cited

U.S. PATENT DOCUMENTS

D928,769 S * 8/2021 Kim D14/250
D934,850 S * 11/2021 Weng D14/250
D935,447 S 11/2021 Xu
2020/0351396 A1* 11/2020 Poon H04M 1/04
2021/0376872 A1* 12/2021 Le H04M 1/0264

* cited by examiner

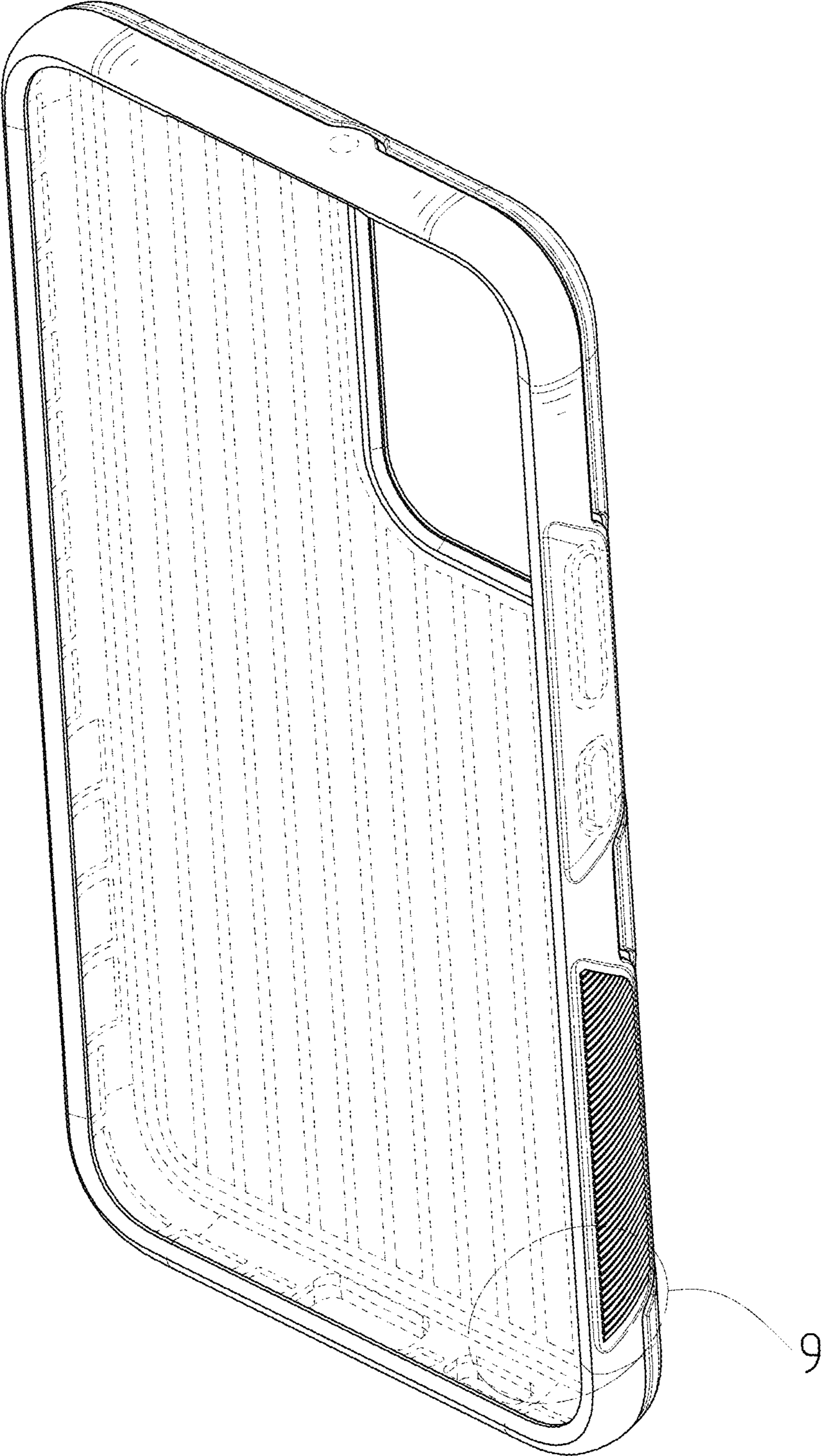


FIG. 1

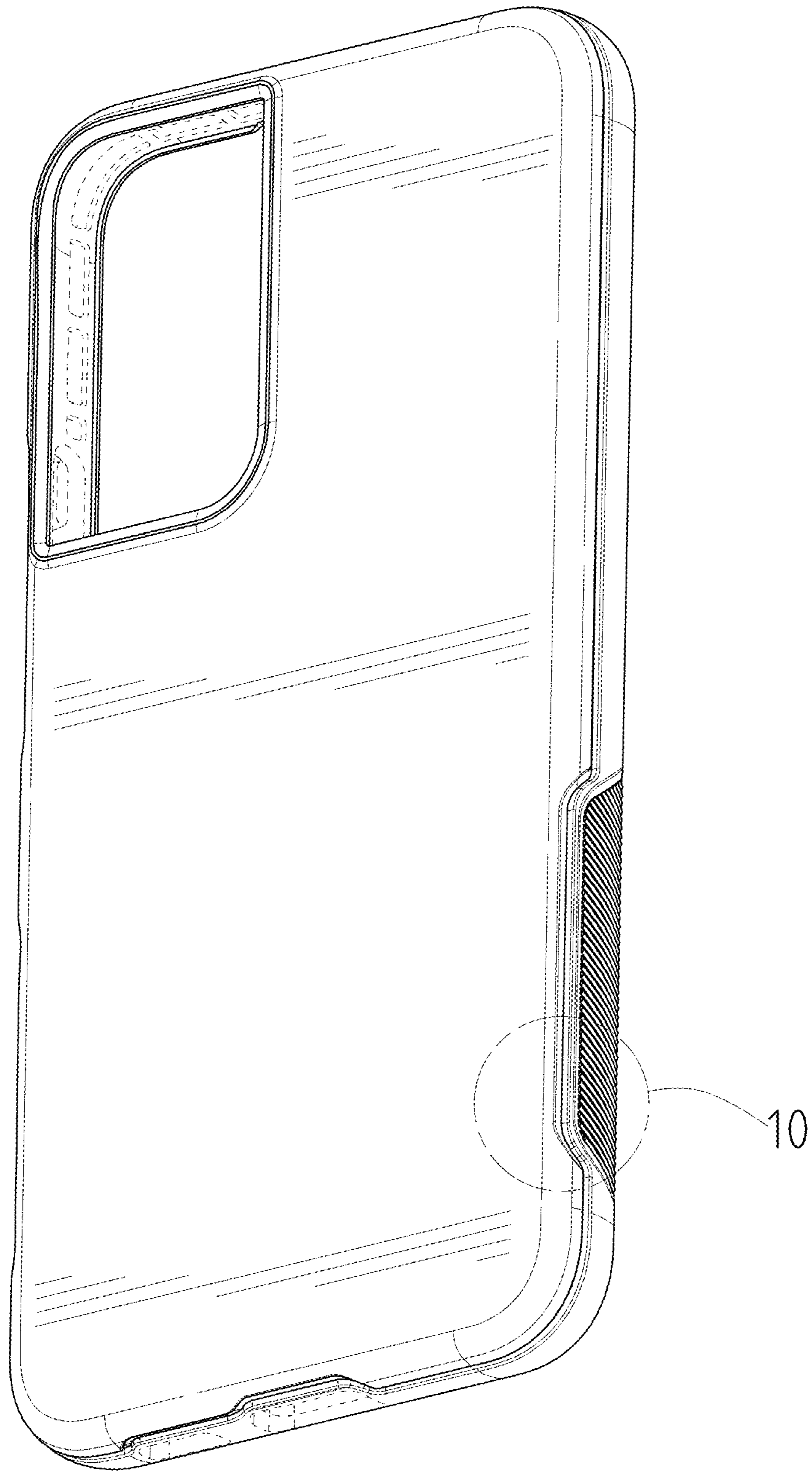


FIG. 2

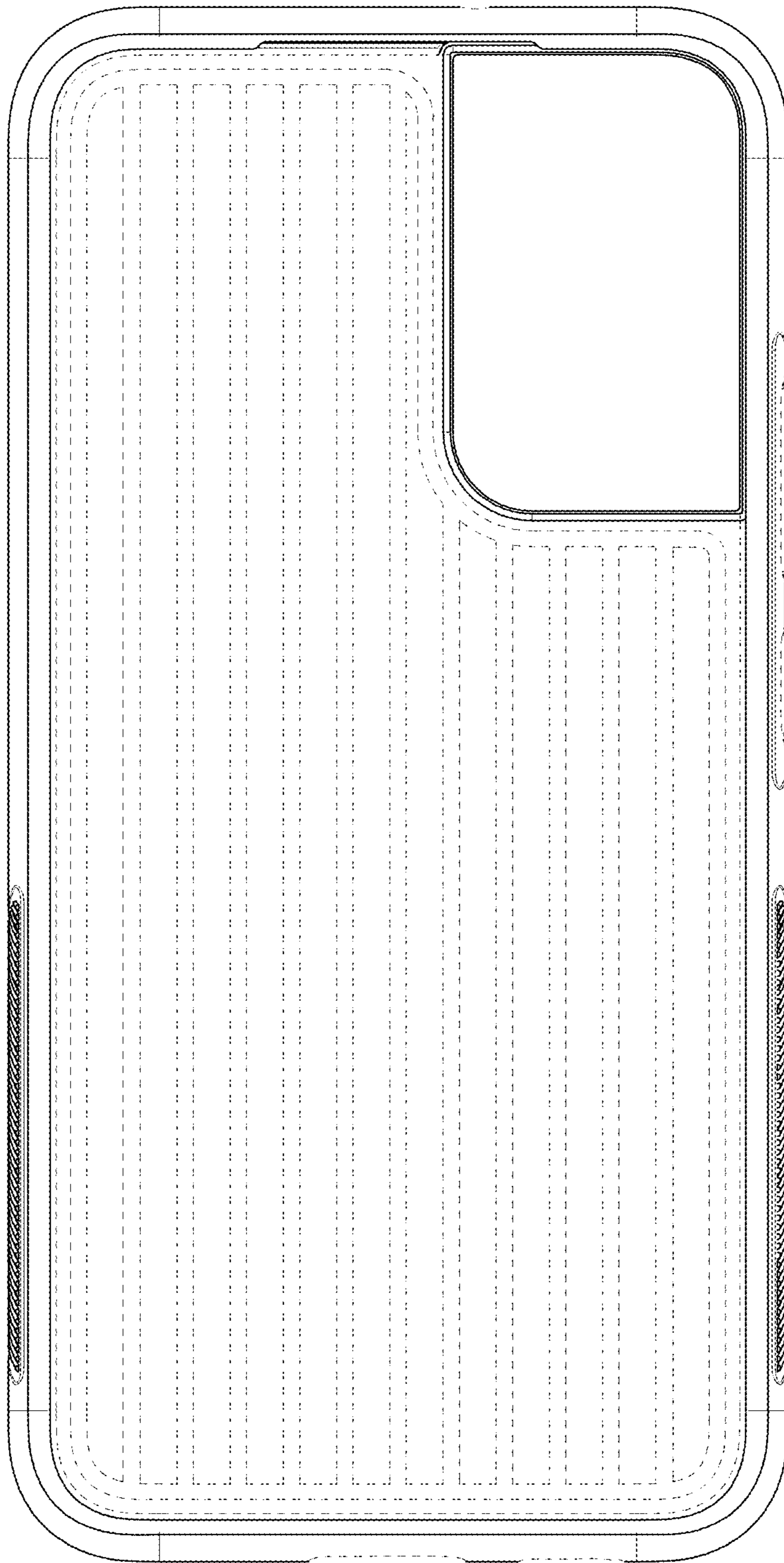


FIG. 3

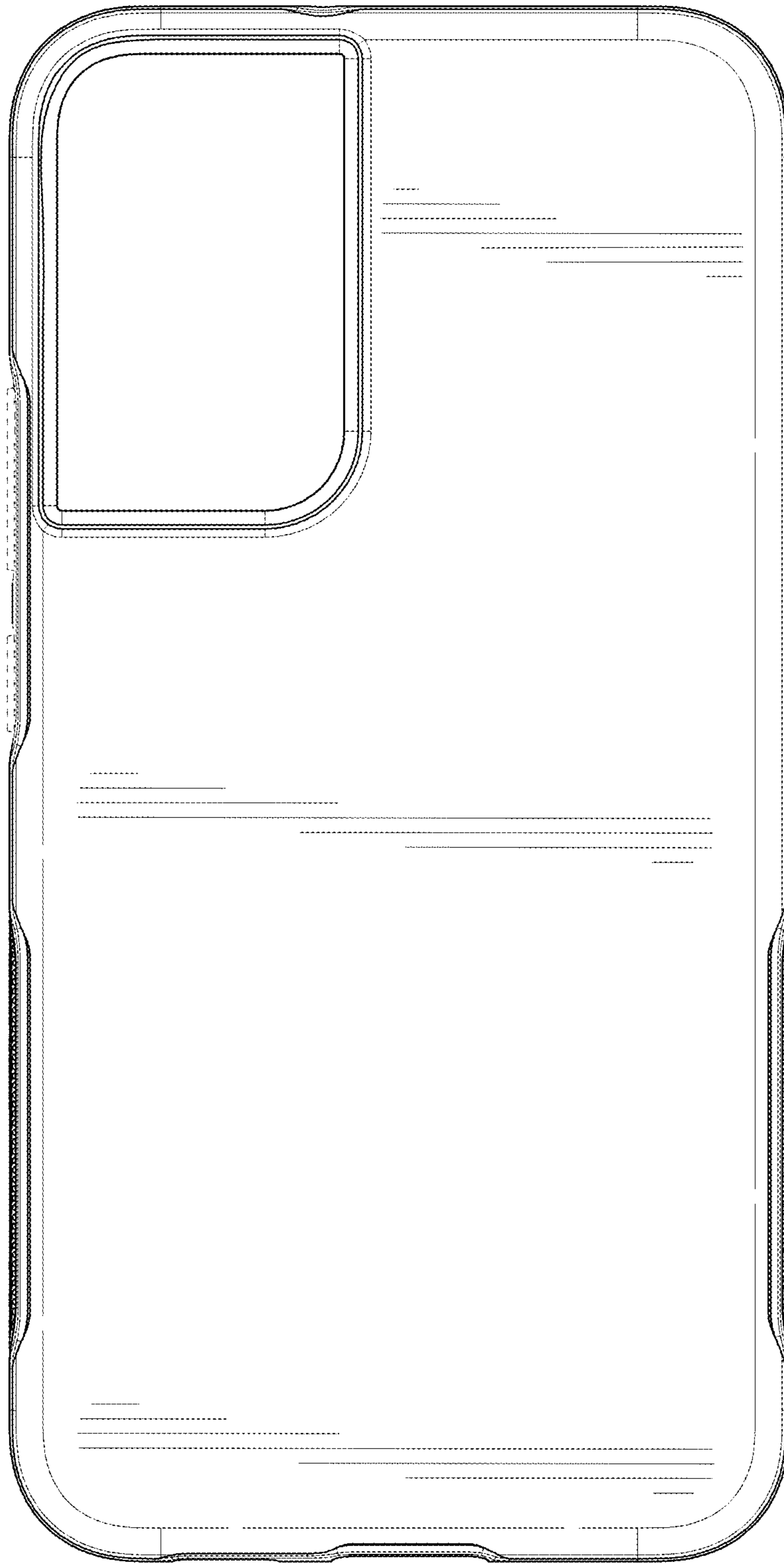


FIG. 4

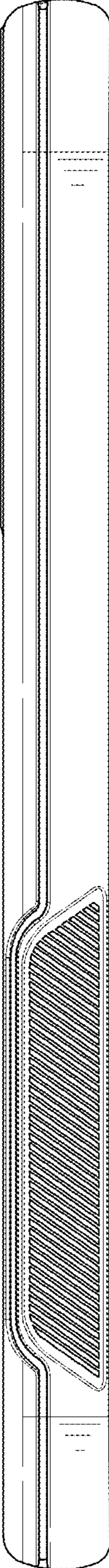


FIG. 5

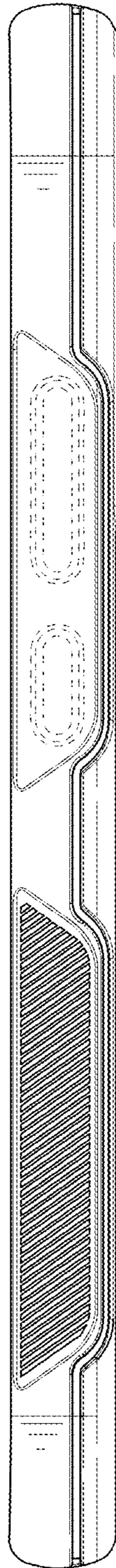


FIG. 6

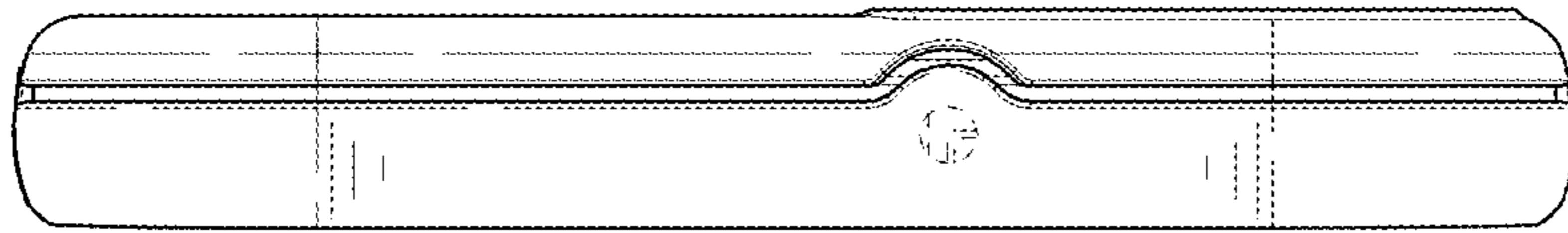


FIG. 7

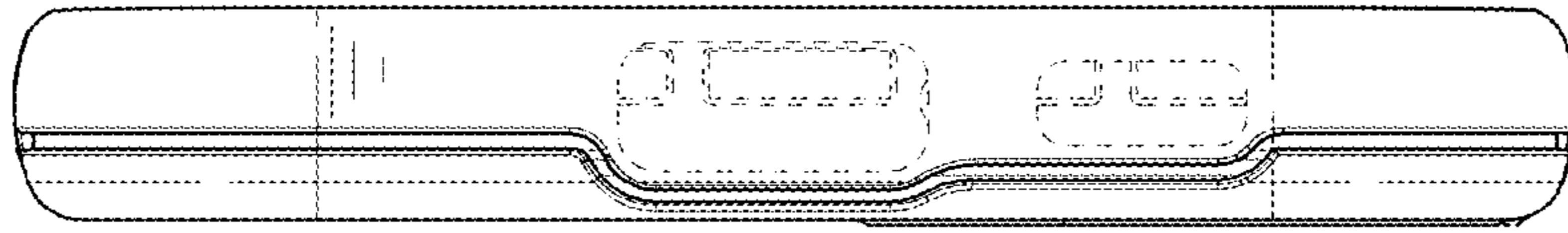


FIG. 8

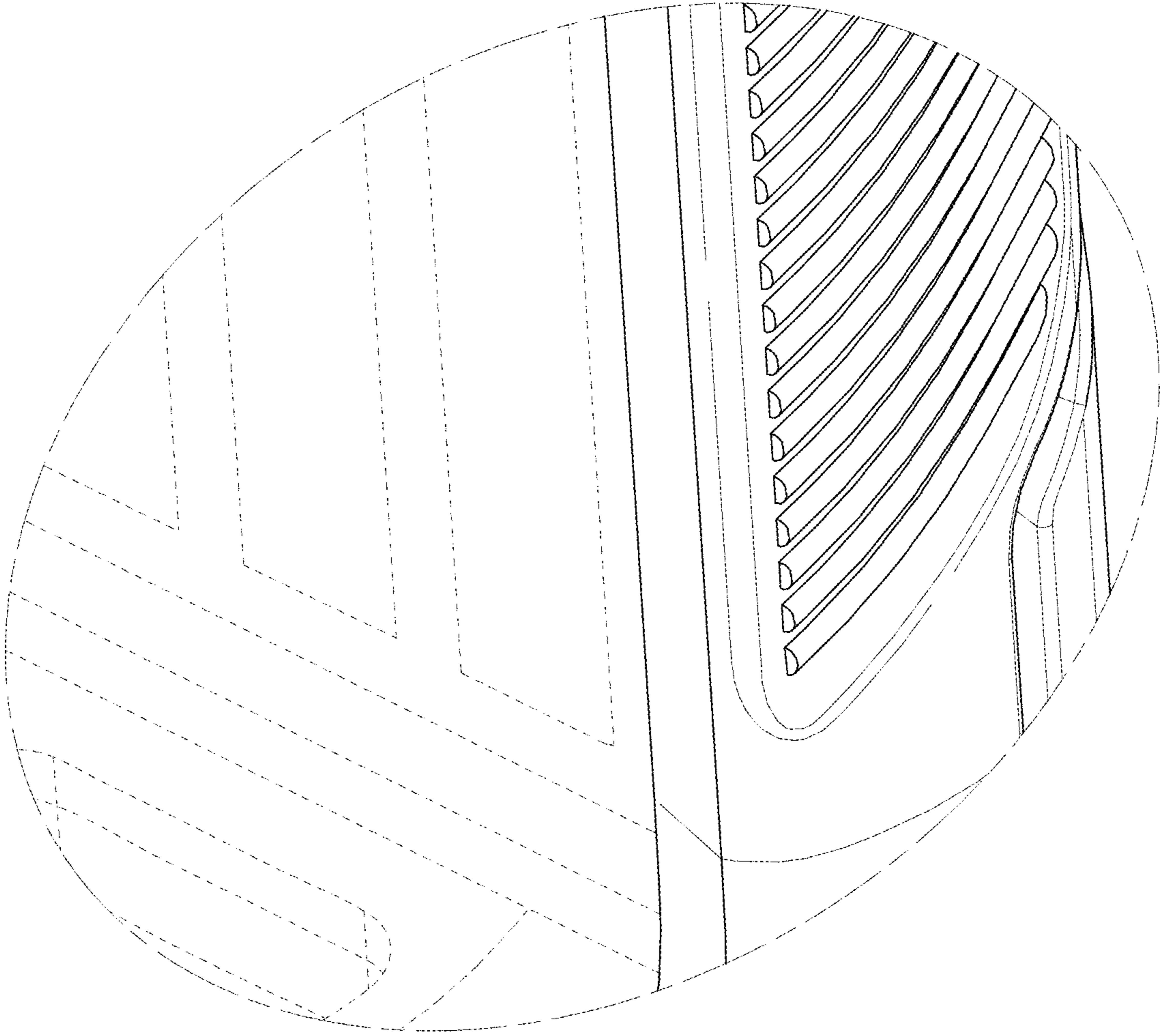


FIG. 9

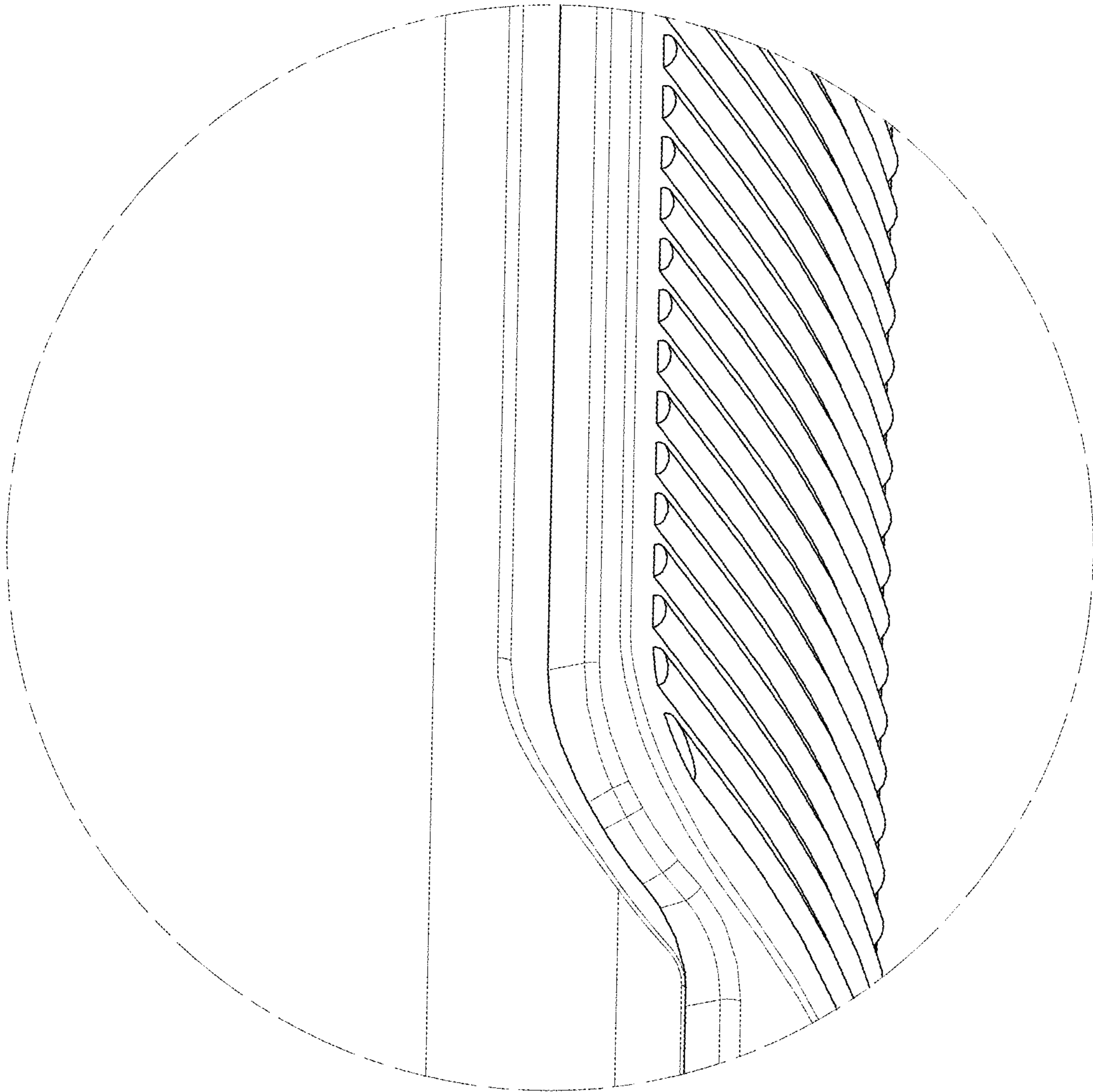


FIG. 10