



US00D978119S

(12) **United States Design Patent**
Chen

(10) **Patent No.:** **US D978,119 S**
(45) **Date of Patent:** **** Feb. 14, 2023**

(54) **MICROPHONE**
(71) Applicant: **Beijing KuZhi Technology Co., Ltd.**,
Beijing (CN)
(72) Inventor: **Hua Chen**, Beijing (CN)
(73) Assignee: **BEIJING KUZHI TECHNOLOGY**
CO., LTD., Beijing (CN)
(**) Term: **15 Years**
(21) Appl. No.: **29/778,797**
(22) Filed: **Apr. 15, 2021**

(30) **Foreign Application Priority Data**
Oct. 16, 2020 (CN) 202030616435.5
(51) **LOC (14) Cl.** **14-01**
(52) **U.S. Cl.**
USPC **D14/228**
(58) **Field of Classification Search**
USPC D14/228, 225, 226, 227, 497; D21/513,
D21/483; D17/99; 84/610; 446/416;
381/361, 111, 26, 122, 61
CPC . H04R 25/00; H04R 3/00; H04R 1/08; H04R
1/02; G10H 1/36; G10H 1/261; G10H
7/00; G10H 1/365; G09B 5/00
See application file for complete search history.

(56) **References Cited**
U.S. PATENT DOCUMENTS
D213,567 S * 3/1969 Buchanan D14/228
3,718,862 A * 2/1973 Norris H04R 1/08
455/117
D247,706 S * 4/1978 Armstrong D14/228
D247,707 S * 4/1978 Armstrong D14/228
D253,468 S * 11/1979 Peterson D14/228
4,344,184 A * 8/1982 Edwards H04B 1/04
343/702

4,425,482 A * 1/1984 Bordelon H04R 11/02
335/231
4,600,077 A * 7/1986 Drever H04R 1/086
181/158
D290,838 S * 7/1987 Stames D14/228
D292,701 S * 11/1987 Drever D14/228
D295,224 S * 4/1988 Miyamoto D14/228
4,817,153 A * 3/1989 Fernandez H04R 1/08
381/26
4,910,795 A * 3/1990 McCowen H04R 1/083
455/128
D310,368 S * 9/1990 Derhaag D14/228
4,966,252 A * 10/1990 Drever H04R 1/086
381/189
D324,049 S * 2/1992 Endo D14/228
(Continued)

FOREIGN PATENT DOCUMENTS

CN 306161862 * 11/2020
CN 306210264 * 12/2020
(Continued)

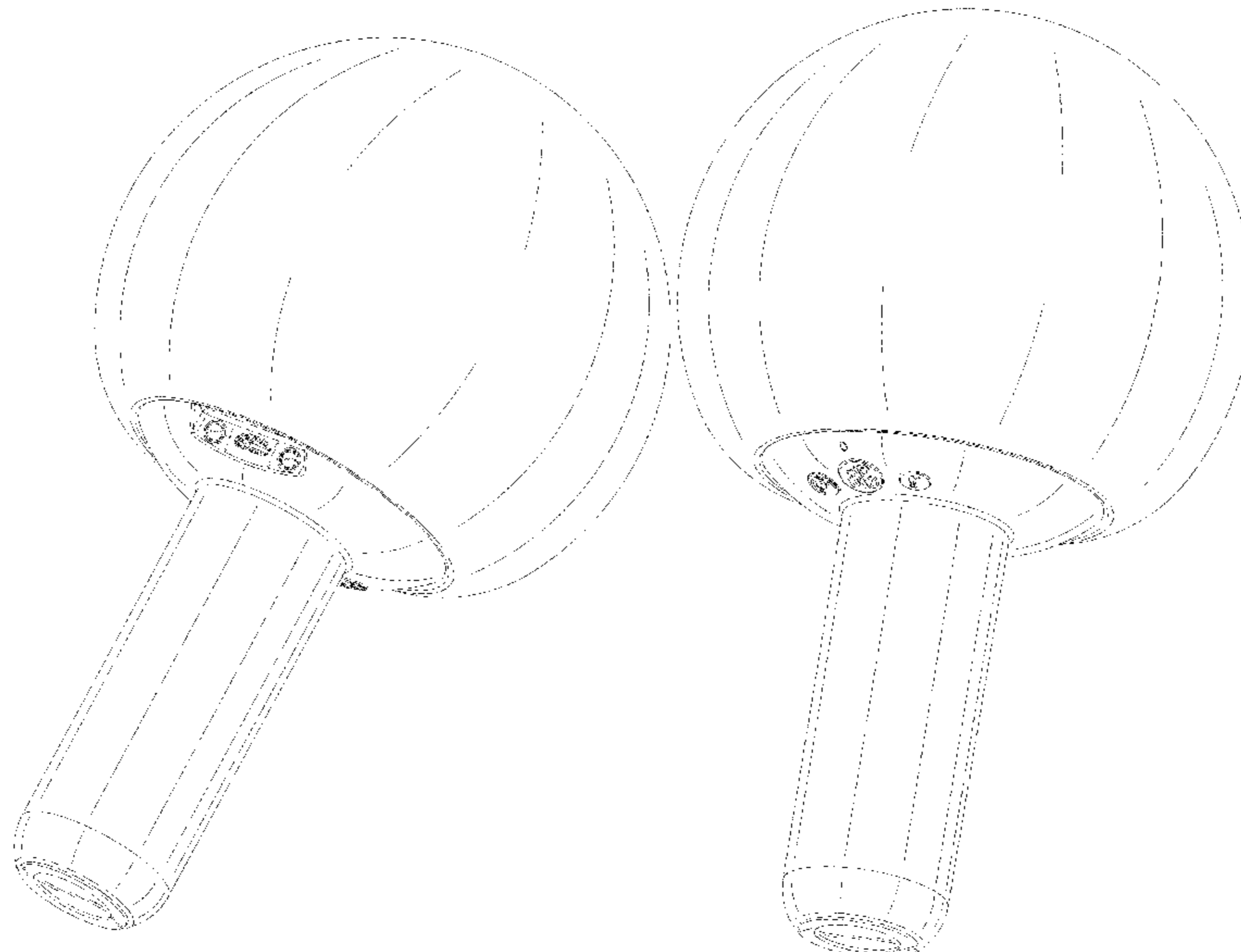
Primary Examiner — Paula Allen Greene
(74) *Attorney, Agent, or Firm* — Bayramoglu Law Offices
LLC

(57) **CLAIM**
The ornamental design for a microphone, as shown and
described.

DESCRIPTION

FIG. 1 is a front perspective view of a microphone showing
my new design;
FIG. 2 is a front view thereof;
FIG. 3 is a rear view thereof;
FIG. 4 is a left side view thereof;
FIG. 5 is a right side view thereof;
FIG. 6 is a top view thereof;
FIG. 7 is a bottom view thereof; and,
FIG. 8 is a rear perspective view thereof.

1 Claim, 8 Drawing Sheets



(56)

References Cited

U.S. PATENT DOCUMENTS

5,598,162 A * 1/1997 Terashima H04N 7/17318
 348/E7.071
 5,706,359 A * 1/1998 Chang H04R 1/08
 381/361
 5,742,697 A * 4/1998 Ching-Chung H04R 1/083
 381/361
 D397,119 S * 8/1998 Okon D14/228
 6,025,553 A * 2/2000 Lee G10H 1/365
 84/645
 6,061,457 A * 5/2000 Stockhamer H04R 1/00
 367/188
 D444,782 S * 7/2001 Chung D14/228
 D446,205 S * 8/2001 Ming-Cheng D14/228
 D449,041 S * 10/2001 Koike D14/228
 D462,343 S * 9/2002 Wang D14/228
 D462,947 S * 9/2002 Kung D14/228
 6,597,796 B2 * 7/2003 Chang H04R 9/08
 381/361
 D504,678 S * 5/2005 Ruhrig D14/228
 8,406,446 B2 * 3/2013 Akino H04R 1/2876
 381/361
 8,664,501 B2 * 3/2014 Miele G10G 7/02
 84/723
 D713,391 S * 9/2014 Ibuki D14/228
 8,965,026 B2 * 2/2015 Kamin-Lyndgaard
 H04N 5/772
 381/364
 D813,208 S * 3/2018 Nie D14/226
 D836,615 S * 12/2018 Su D14/226

D868,042 S * 11/2019 Yang D14/226
 D880,459 S * 4/2020 Su D14/226
 D883,961 S * 5/2020 Dai D14/226
 D892,090 S * 8/2020 Xiang D14/228
 D907,007 S * 1/2021 Chen D14/218
 D933,638 S * 10/2021 Lu D14/228
 D947,814 S * 4/2022 Walcott D14/216
 D956,723 S * 7/2022 Chen D14/228
 2002/0031233 A1 * 3/2002 Ueshima G10H 1/361
 381/63
 2003/0179898 A1 * 9/2003 Chen H01R 35/02
 381/361
 2005/0271233 A1 * 12/2005 Uchimura H04R 1/086
 381/359
 2008/0282871 A1 * 11/2008 Chen G10H 1/363
 84/610
 2009/0154753 A1 * 6/2009 Akino H04R 9/025
 381/355
 2011/0044477 A1 * 2/2011 Huang H04R 1/083
 381/122
 2015/0304754 A1 * 10/2015 Akino H04R 1/086
 381/361
 2017/0316767 A1 * 11/2017 You H04N 21/42203
 2019/0069060 A1 * 2/2019 Su H04R 1/08

FOREIGN PATENT DOCUMENTS

CN 306328580 * 2/2021
 CN 306412416 * 3/2021
 CN 306460604 * 4/2021
 CN 307600339 * 10/2022

* cited by examiner

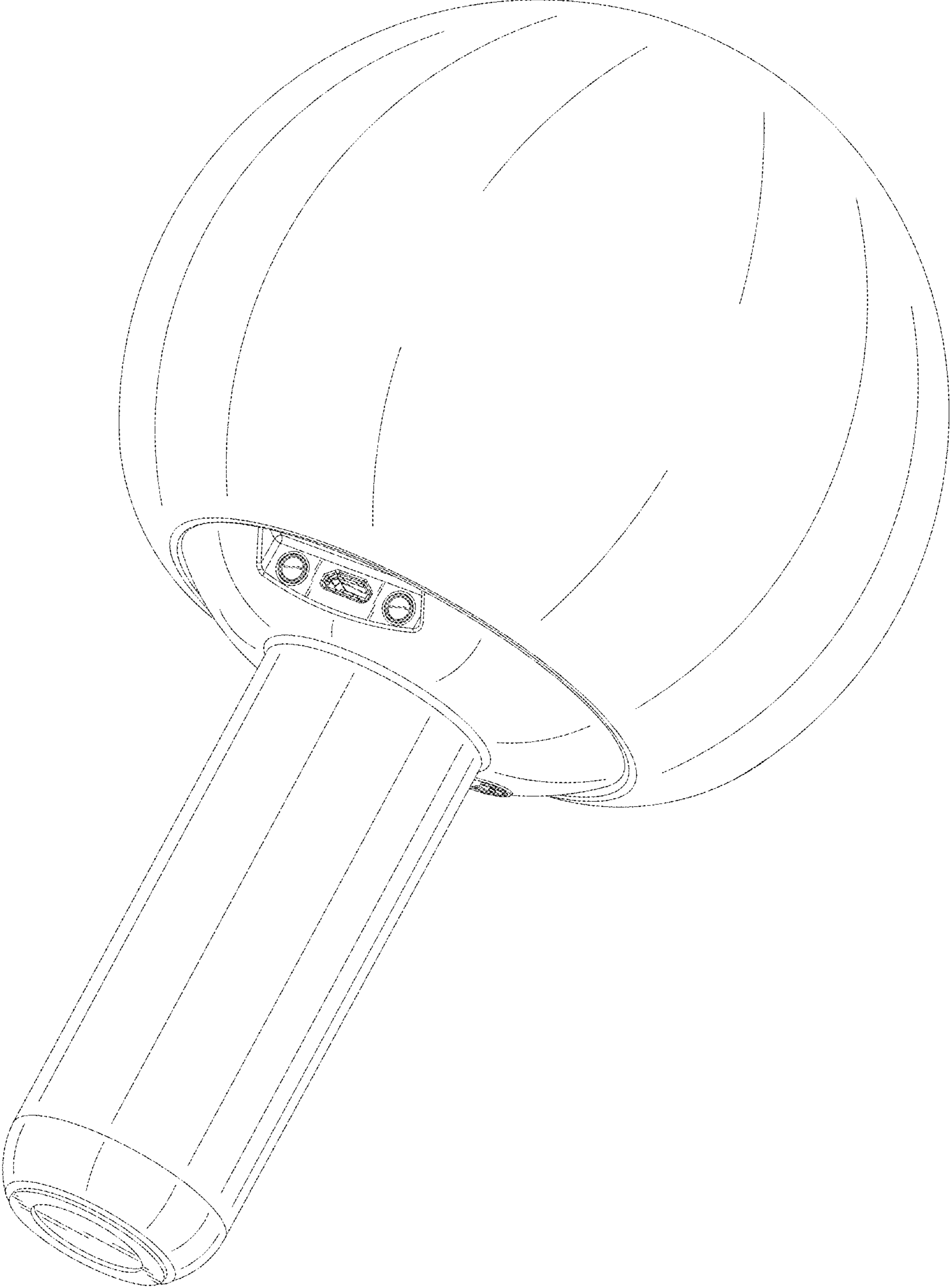


FIG. 1

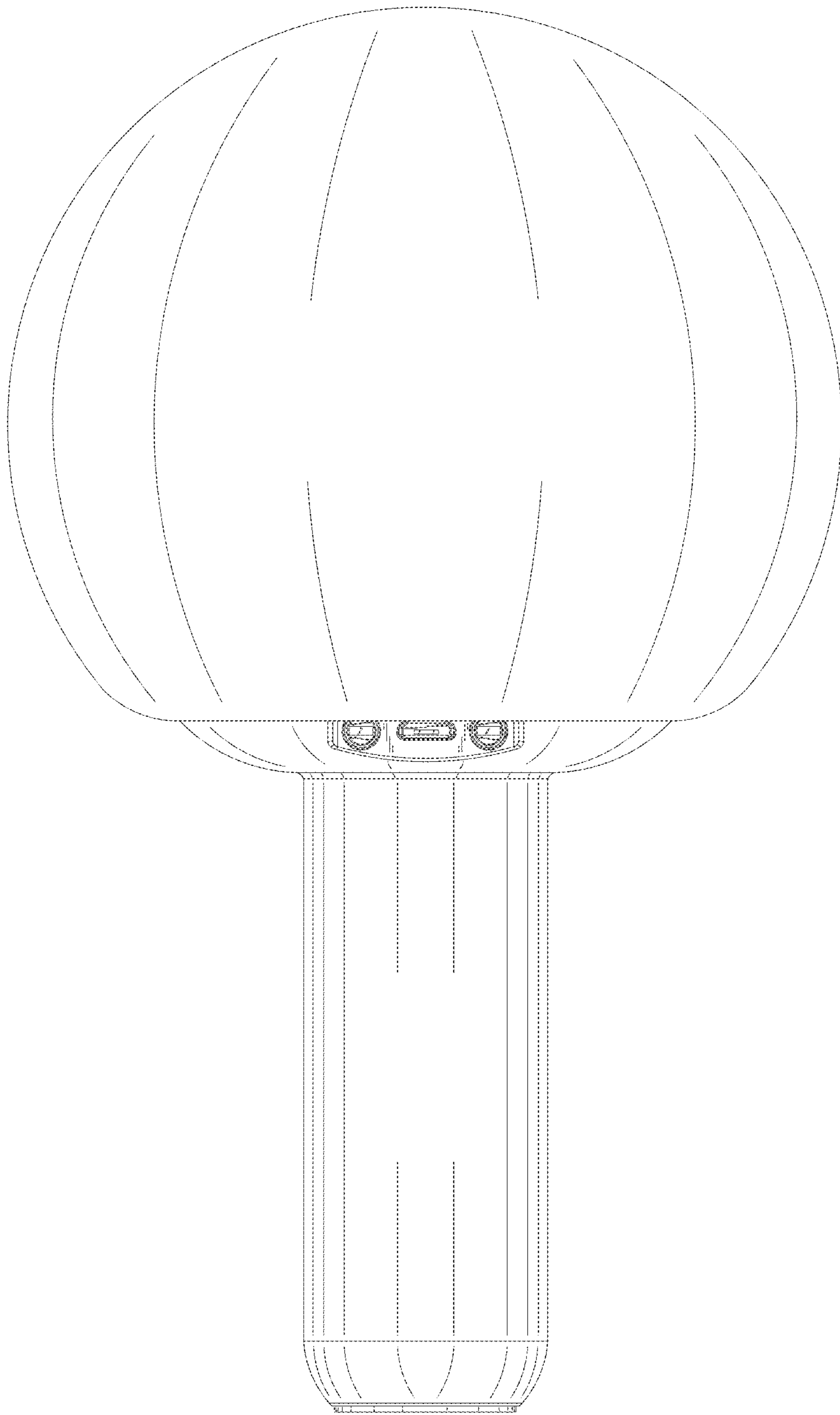


FIG. 2

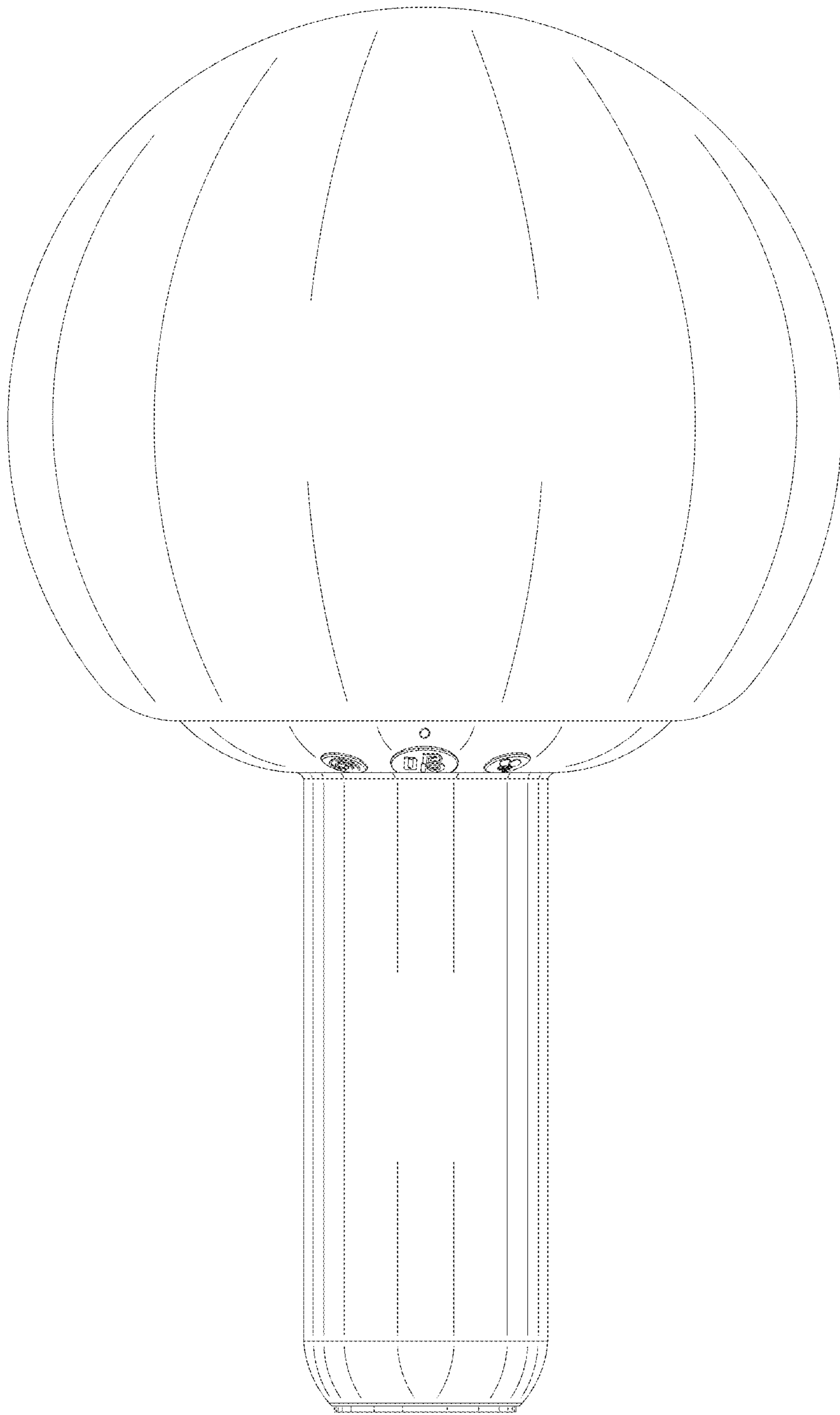


FIG. 3

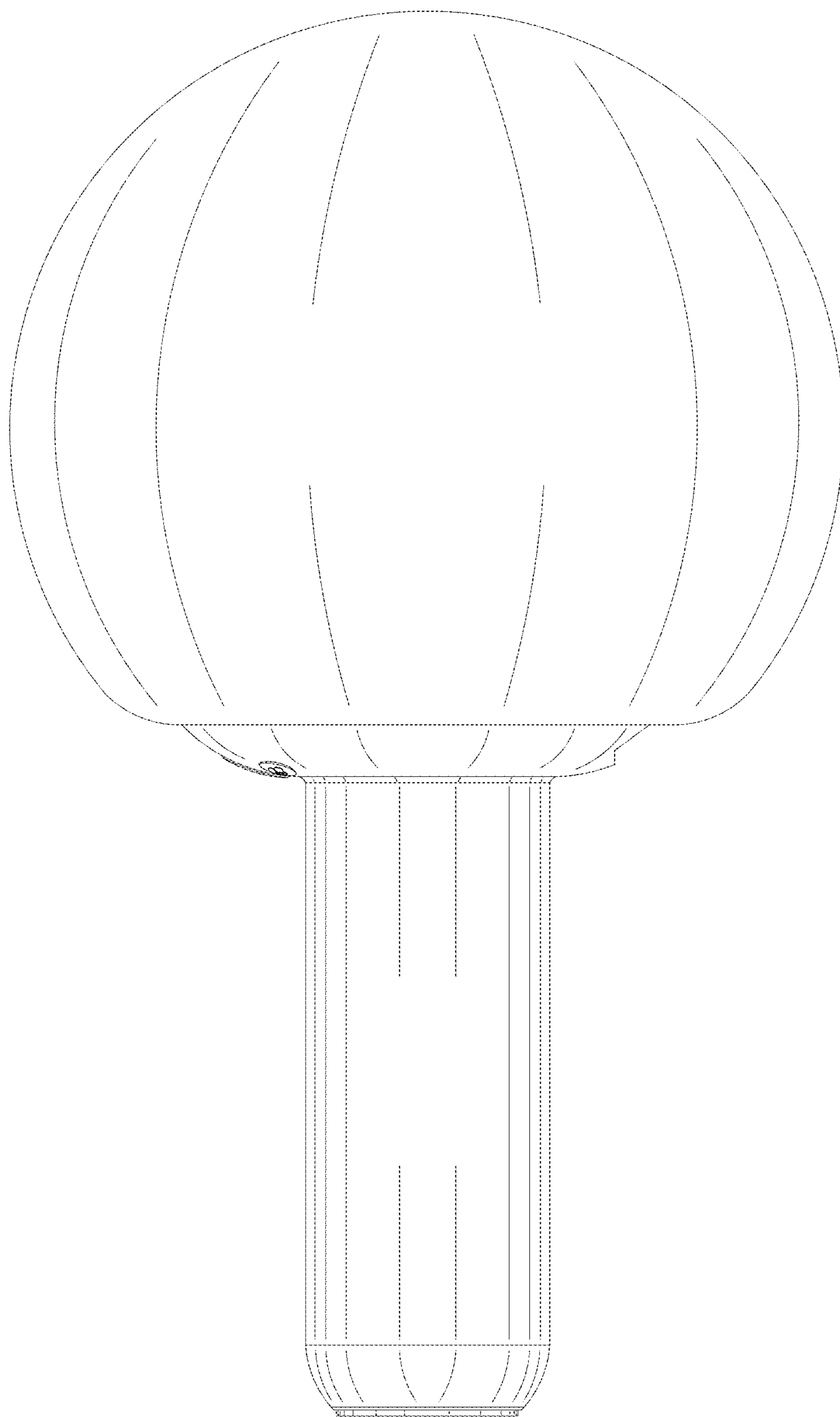


FIG. 4

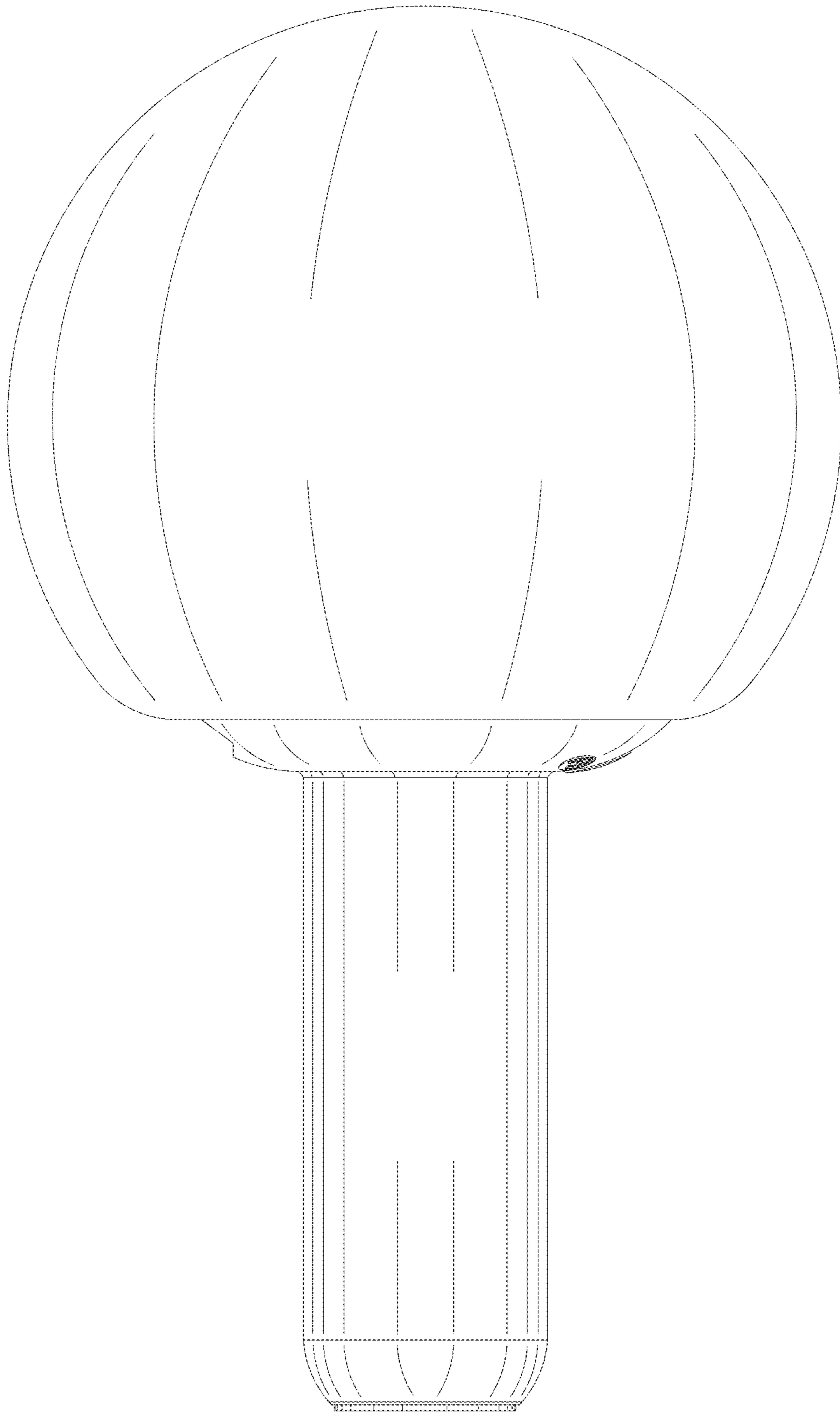


FIG. 5

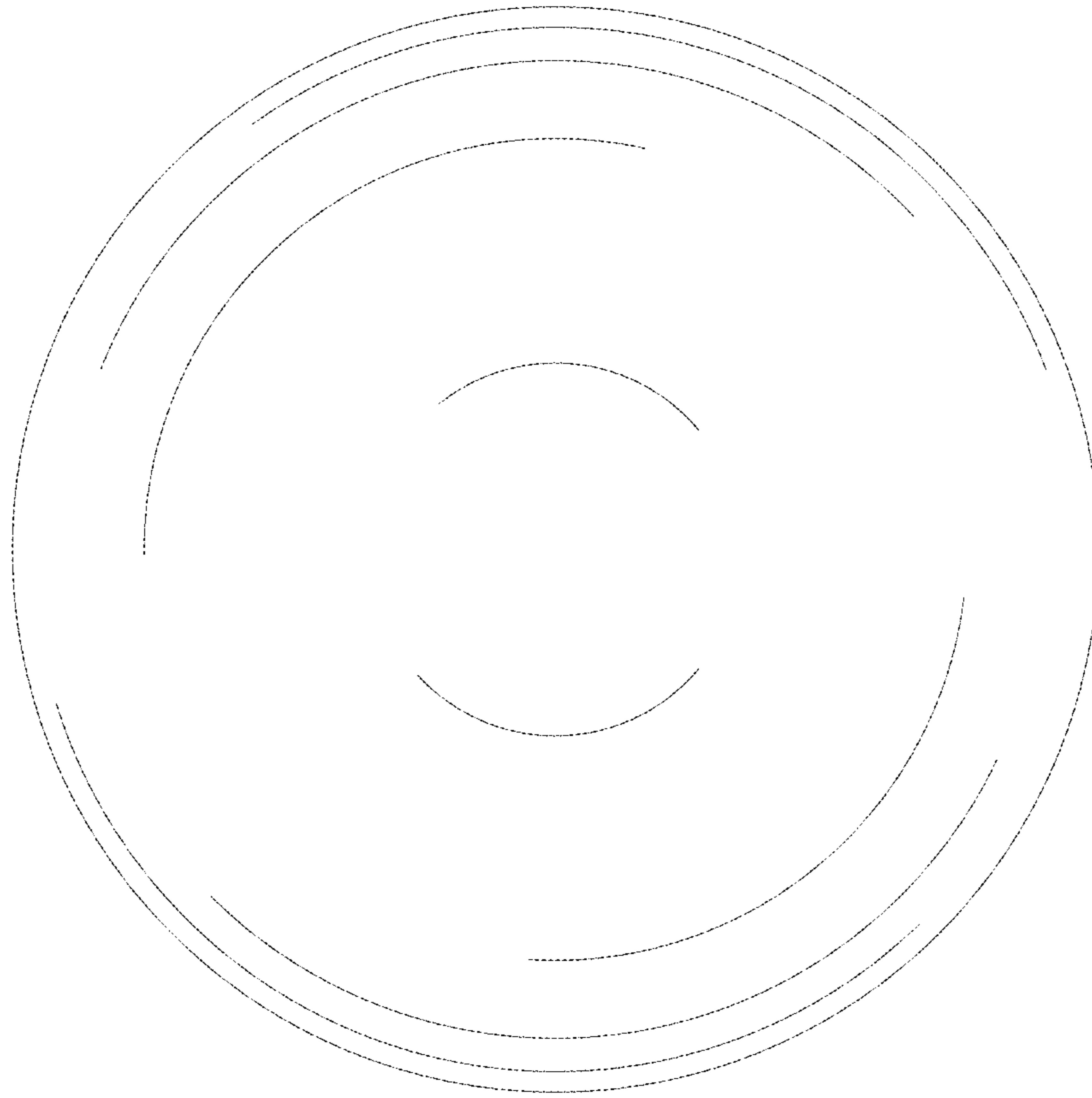


FIG. 6

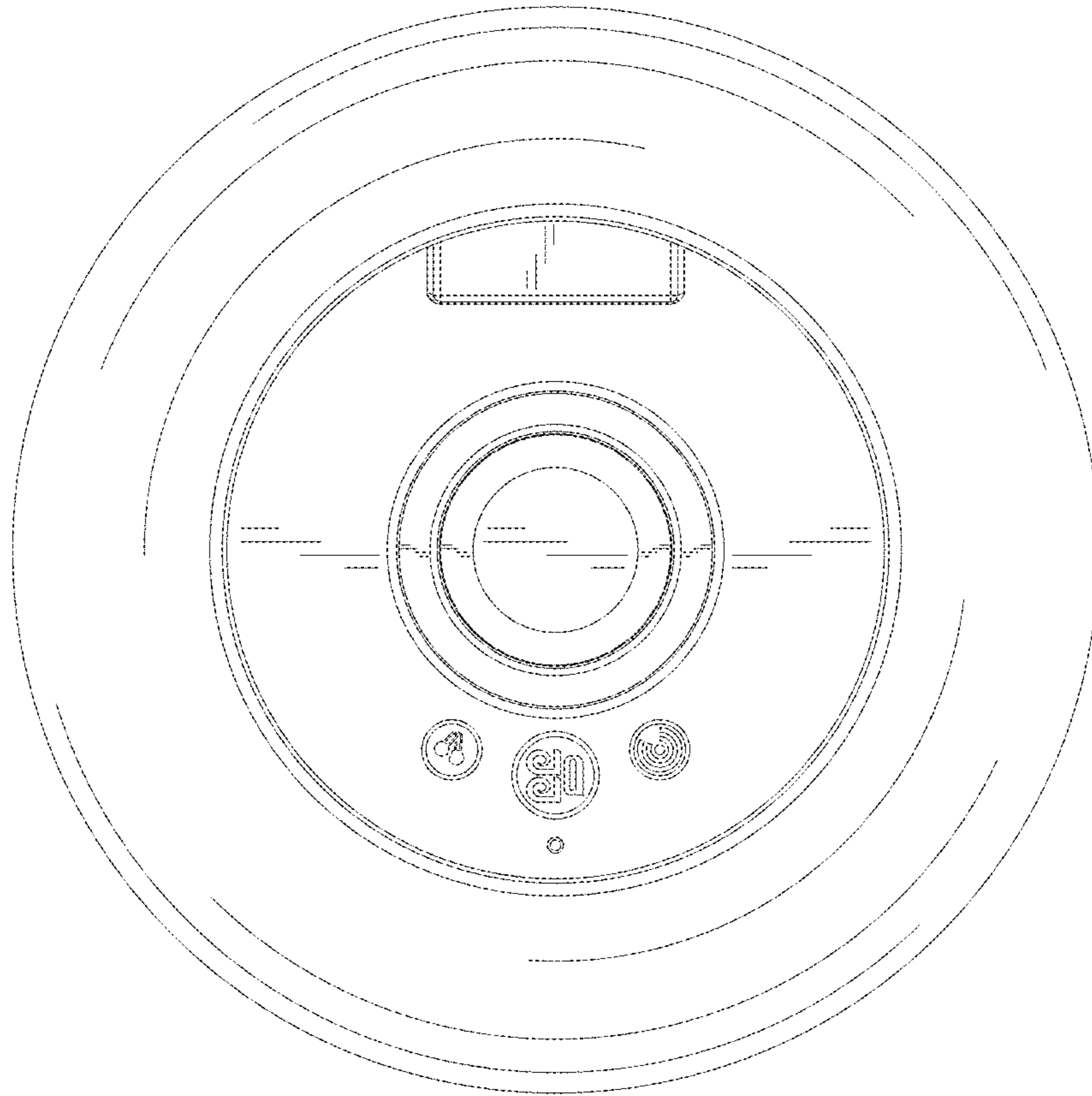


FIG. 7

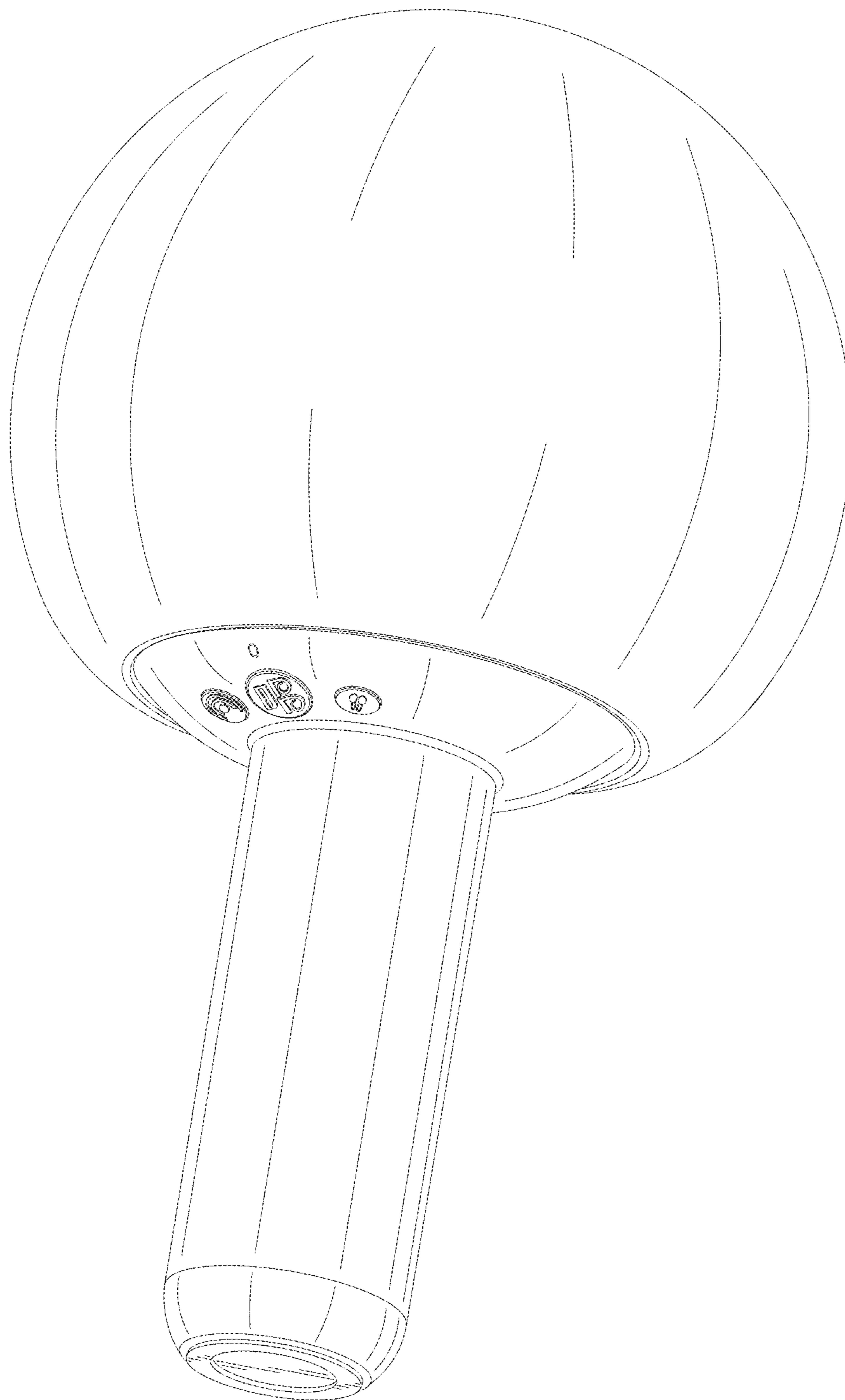


FIG. 8