



US00D978117S

(12) **United States Design Patent** (10) **Patent No.:** **US D978,117 S**  
**Li** (45) **Date of Patent:** **\*\* Feb. 14, 2023**

(54) **MICROPHONE TRANSMITTER**  
(71) Applicant: **Dapeng Li**, Guangdong (CN)  
(72) Inventor: **Dapeng Li**, Guangdong (CN)  
(\*\*) Term: **15 Years**  
(21) Appl. No.: **29/749,780**  
(22) Filed: **Sep. 9, 2020**  
(51) **LOC (14) Cl.** ..... **14-01**  
(52) **U.S. Cl.**  
USPC ..... **D14/225**  
(58) **Field of Classification Search**  
USPC ..... D10/73, 104.2, 106.1, 116.1, 121;  
D13/108, 168, 170, 171; D14/137, 155,  
D14/205, 218, 223, 358  
CPC ... H04R 1/02; H04R 1/04; H04R 1/08; H04R  
1/10; H04R 1/1083; H04R 3/00  
See application file for complete search history.

(56) **References Cited**  
U.S. PATENT DOCUMENTS  
D439,852 S \* 4/2001 Hisatsune ..... D10/104.1  
D586,333 S \* 2/2009 Tkachuk ..... D14/223  
D791,742 S \* 7/2017 Lai ..... D14/225  
D890,715 S \* 7/2020 Li ..... D14/155  
D916,059 S \* 4/2021 Jia ..... D14/225  
D928,748 S \* 8/2021 Jia ..... D14/225

FOREIGN PATENT DOCUMENTS  
CN 305509853 \* 12/2019  
CN 307255585 \* 4/2022

OTHER PUBLICATIONS  
NUX B-3, first available Apr. 1, 2021 [online], [retrieved May 31,  
2022]. Available from the Internet, URL:<https://www.amazon.com/

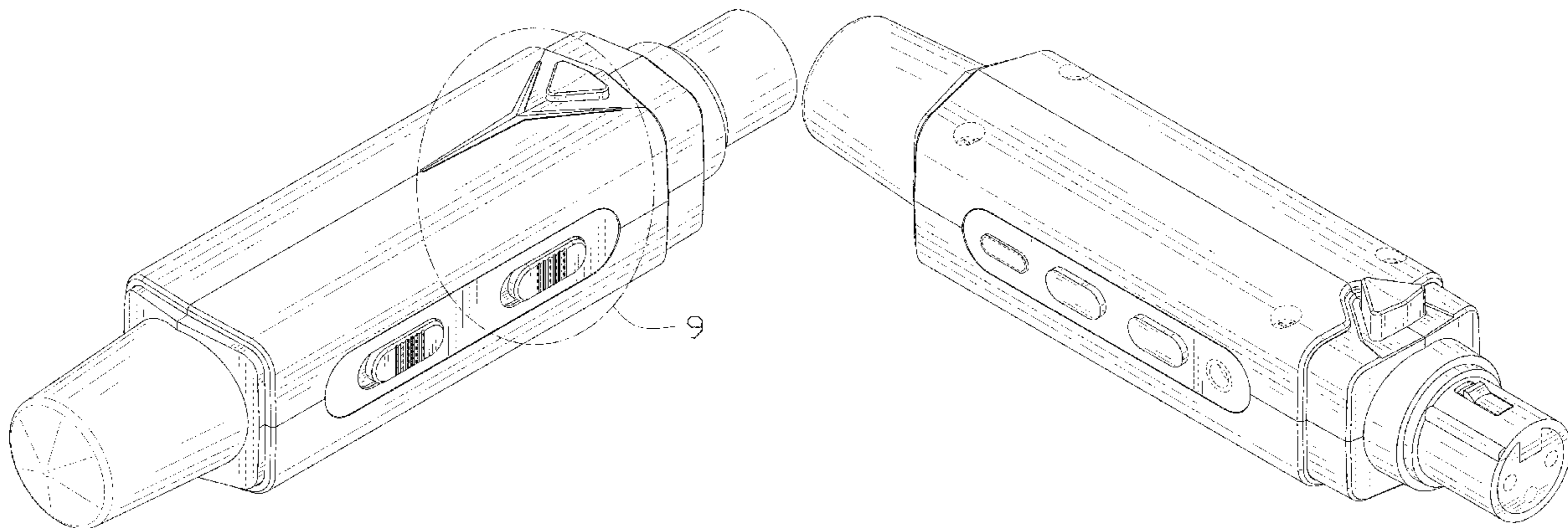
dp/B093TZHGGQ?ref\_cm\_sw\_r\_cp\_ud\_dp\_HX8PQ0MYM076FTF2H4T6>. (Year: 2021).\*  
KLIQ Airlink, first available Sep. 12, 2020 [online], [retrieved May 31, 2022]. Available from the Internet, URL:<https://www.amazon.com/dp/B08HX9NBX9?ref\_cm\_sw\_r\_cp\_ud\_dp\_AA4EPSGQDE7QCEREF7P>. (Year: 2020).\*

\* cited by examiner  
*Primary Examiner* — Dana K Weiland  
*Assistant Examiner* — Russell Carnell Smith, Jr.  
(74) *Attorney, Agent, or Firm* — Justin Lampel

(57) **CLAIM**  
The ornamental design for a microphone transmitter, as shown and described.

**DESCRIPTION**  
FIG. 1 is a front perspective view of a microphone transmitter, showing my design.  
FIG. 2 is a rear perspective view thereof.  
FIG. 3 is a front elevation view thereof.  
FIG. 4 is a rear elevation view thereof.  
FIG. 5 is a left side elevation view thereof.  
FIG. 6 is a right side elevation view thereof.  
FIG. 7 is a top plan view thereof.  
FIG. 8 is a bottom plan view thereof; and,  
FIG. 9 is an enlarged view of an area labeled 9 in FIG. 1. The broken lines in the drawings depict portions of the microphone transmitter that form no part of the claimed design. The dot-dash broken lines encircling portions of the microphone transmitter in FIG. 1 and illustrated in an enlarged view in FIG. 9 form no part of the claimed design.

**1 Claim, 9 Drawing Sheets**



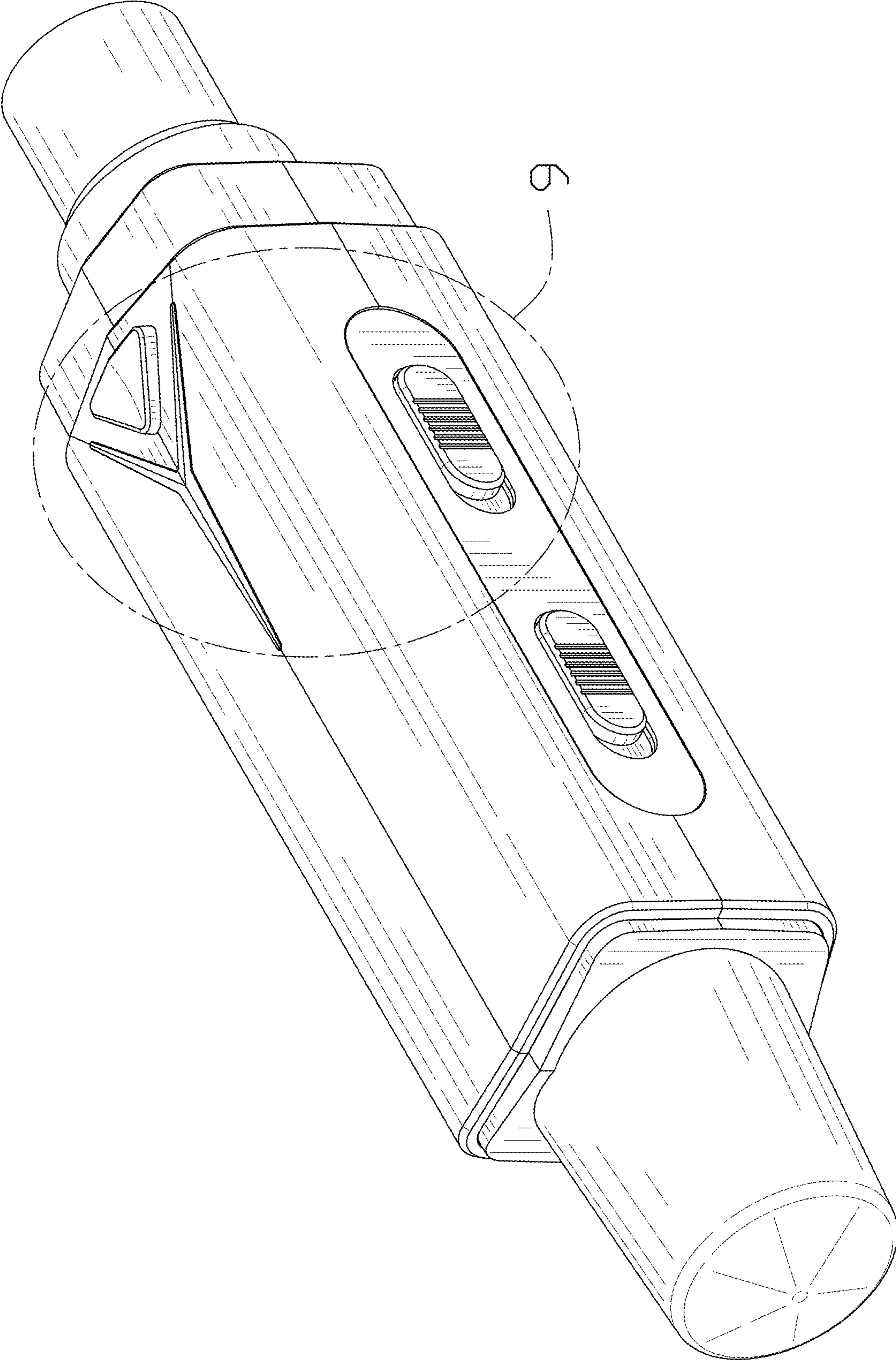


FIG. 1

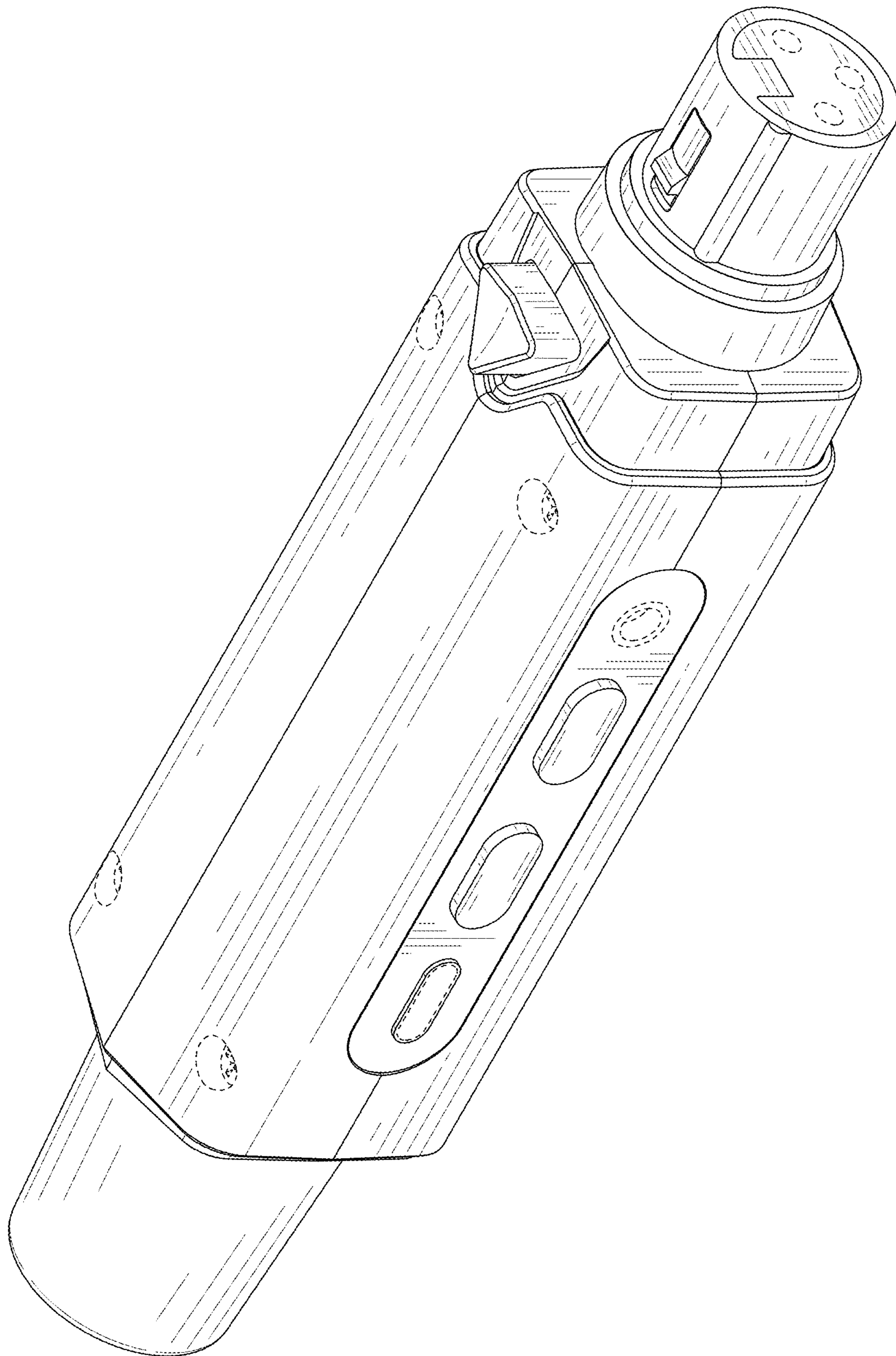


FIG. 2



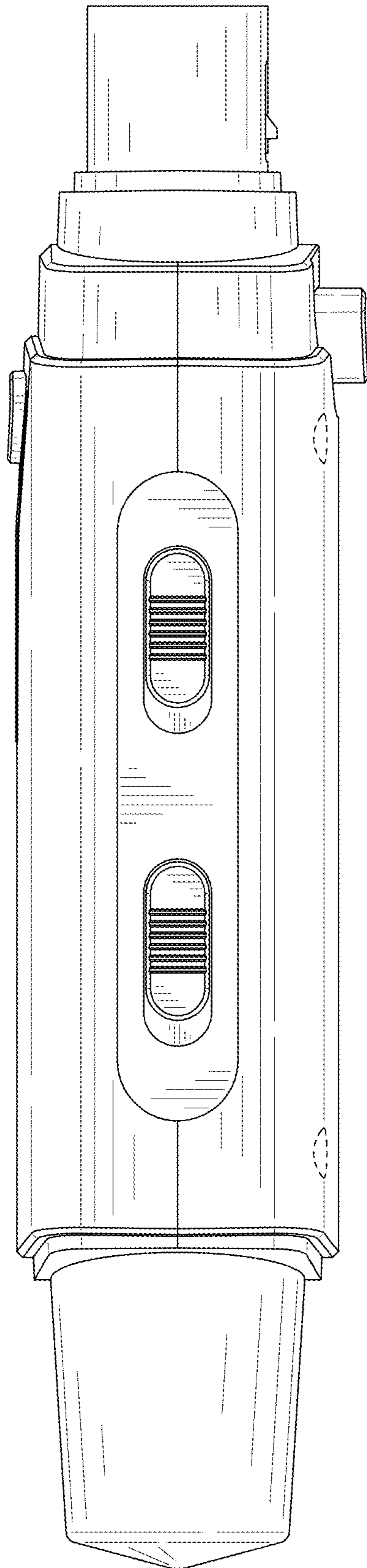


FIG. 3

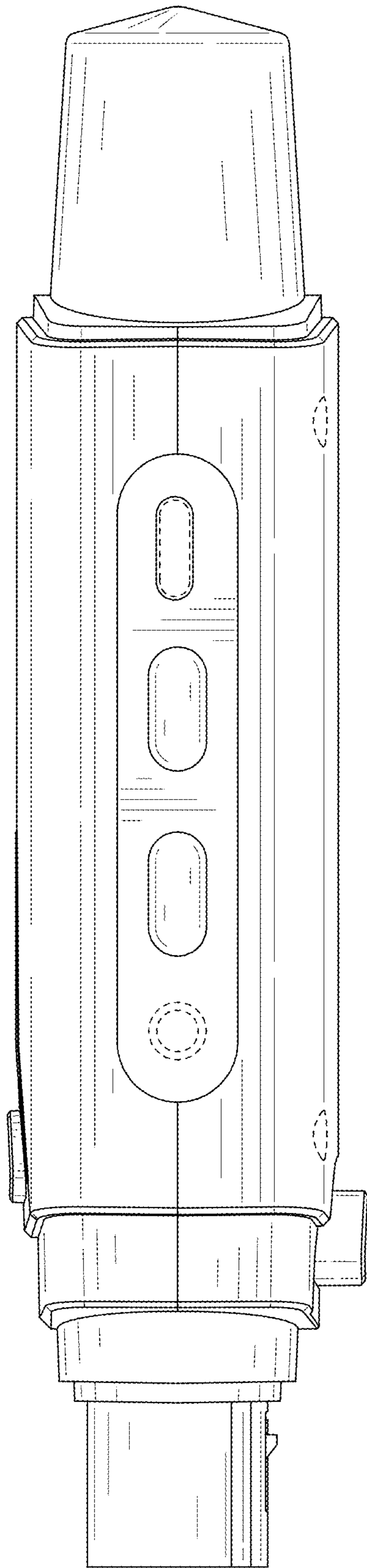


FIG. 4

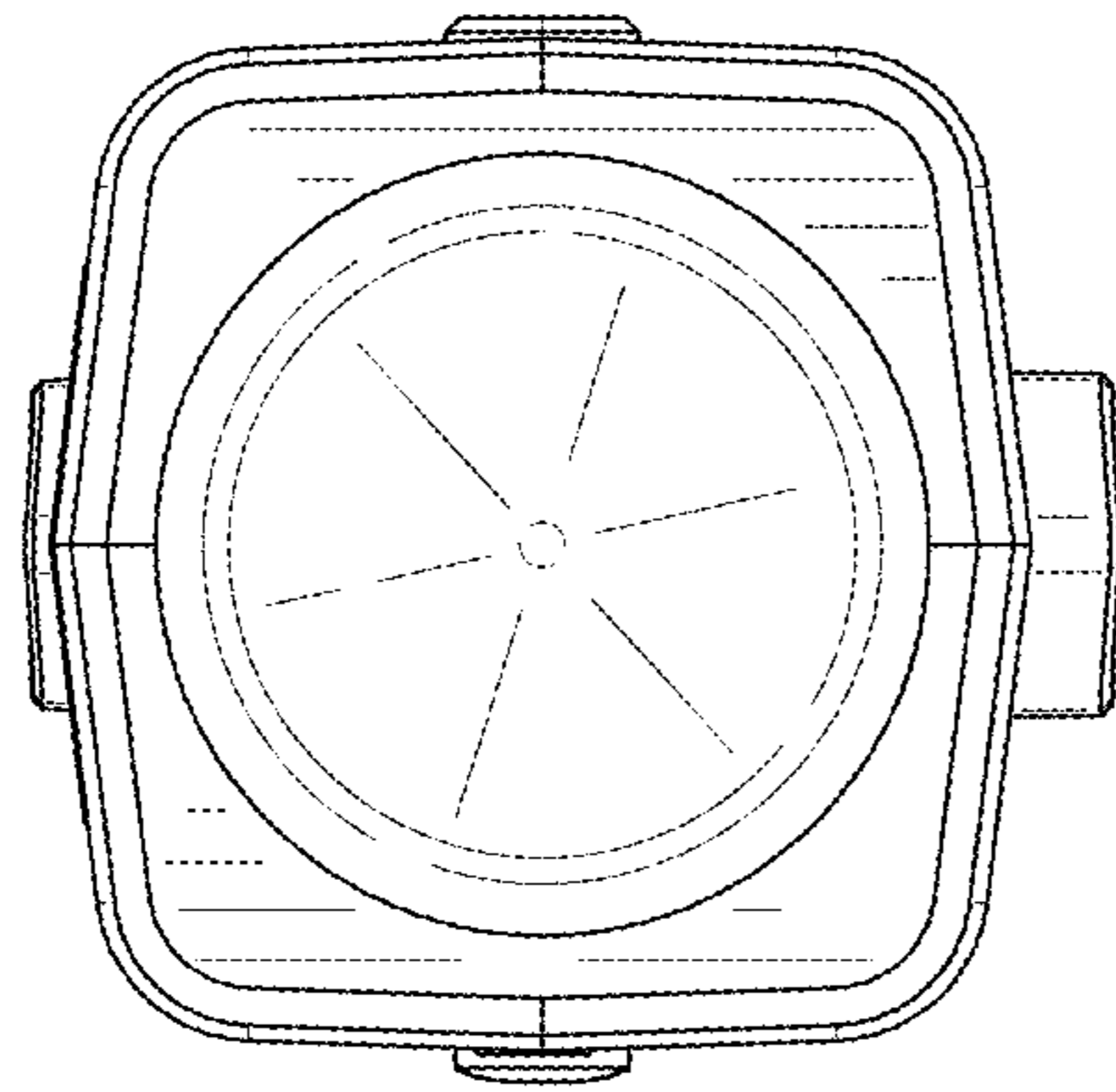


FIG. 5

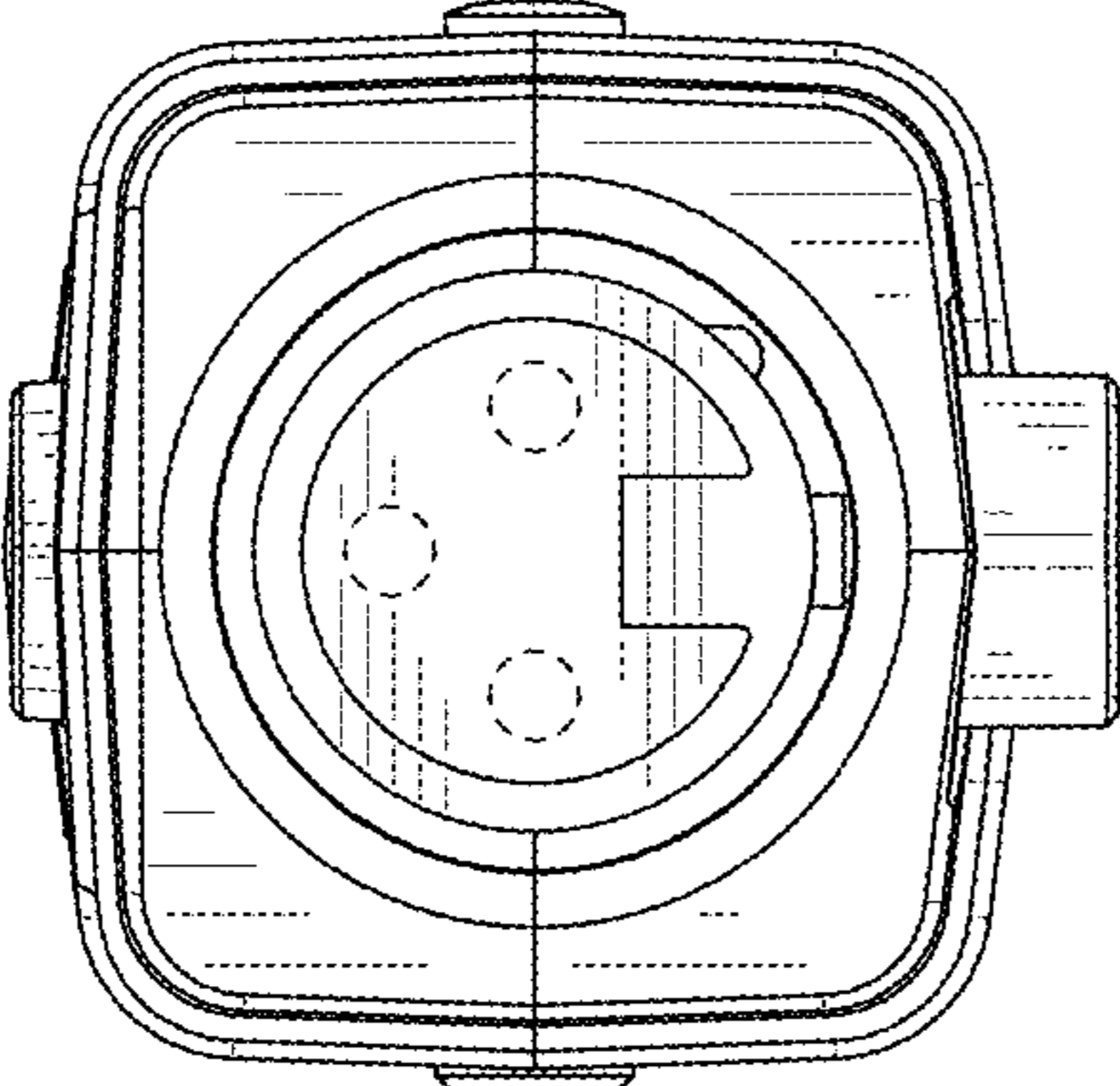


FIG. 6

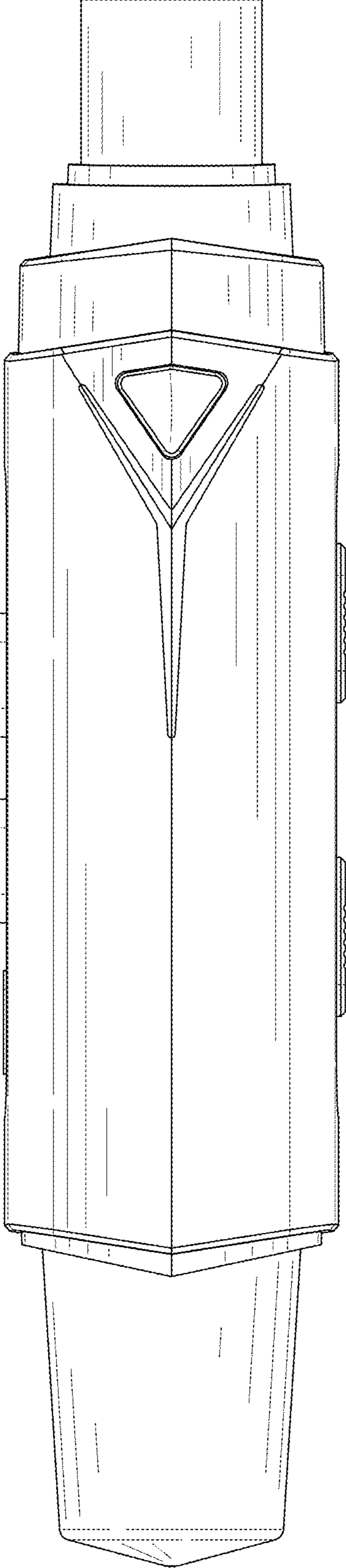


FIG. 7



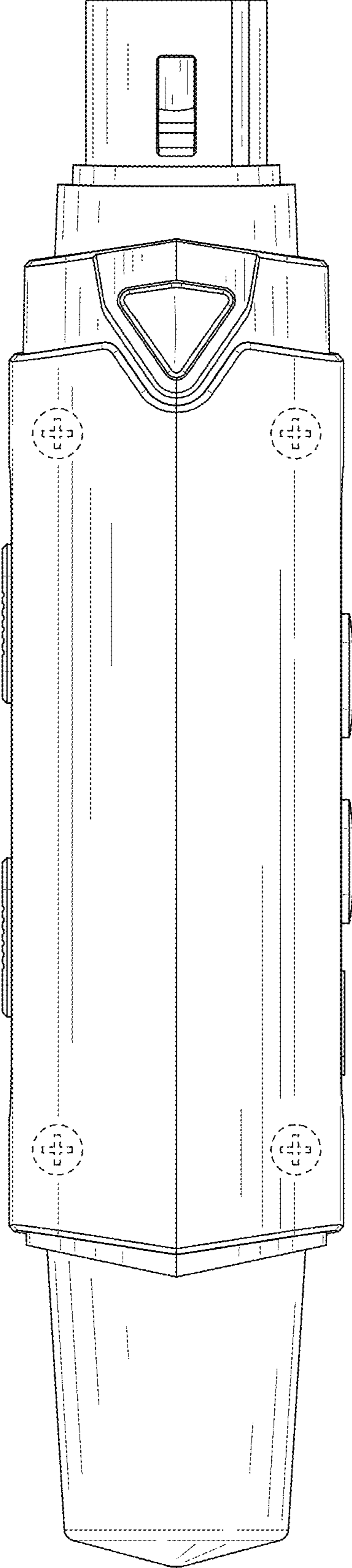


FIG. 8

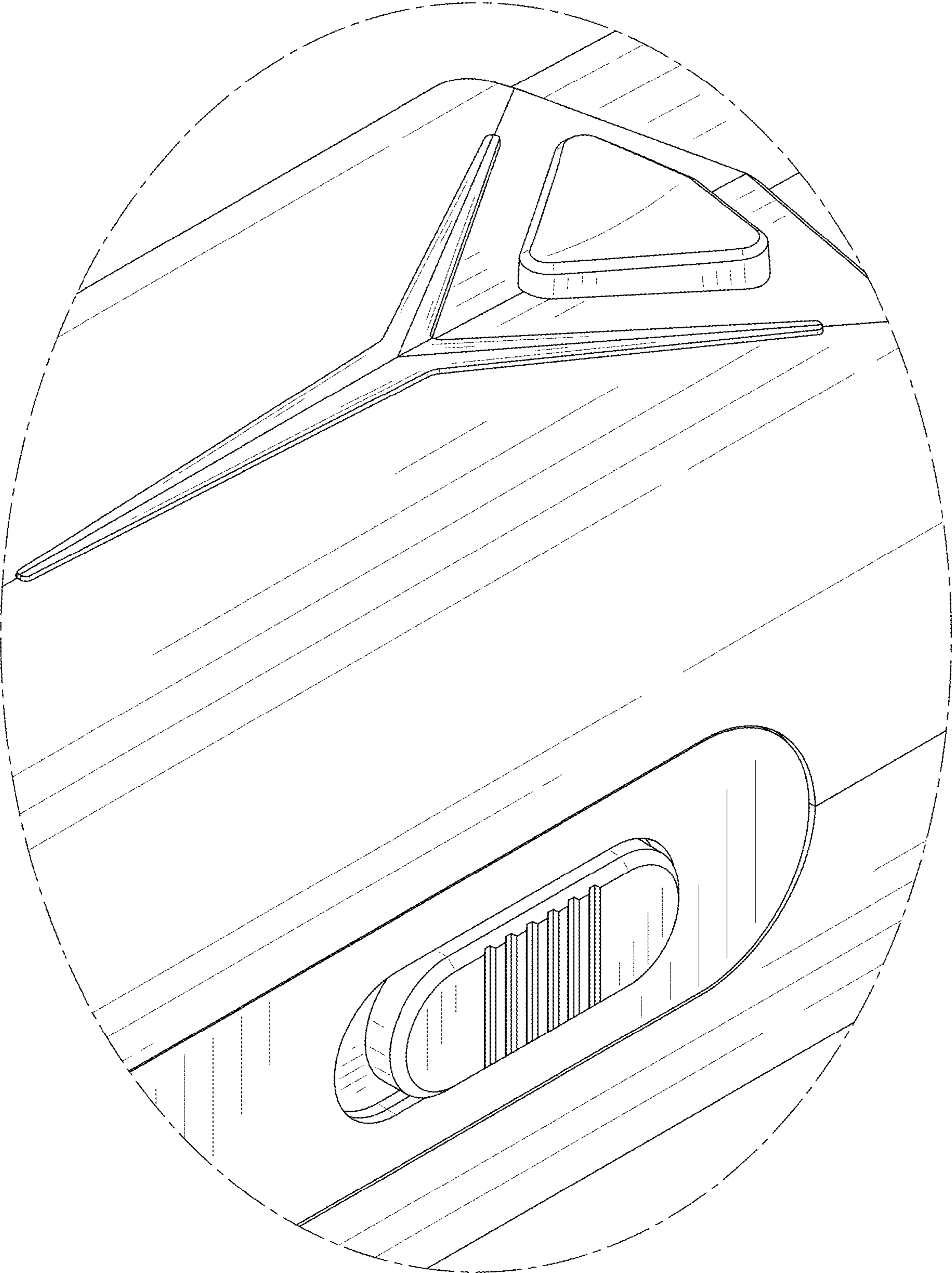


FIG. 9