



US00D978115S

(12) **United States Design Patent**
Molina

(10) **Patent No.:** **US D978,115 S**

(45) **Date of Patent:** **** Feb. 14, 2023**

(54) **HOUSING FOR MOUNTING SPEAKERS IN
AUTOMOTIVE VEHICLES**

(71) Applicant: **Armando Molina**, East Stroudsburg,
PA (US)

(72) Inventor: **Armando Molina**, East Stroudsburg,
PA (US)

(**) Term: **15 Years**

(21) Appl. No.: **29/816,184**

(22) Filed: **Nov. 19, 2021**

(51) **LOC (14) Cl.** **14-01**

(52) **U.S. Cl.**
USPC **D14/224**; D14/215

(58) **Field of Classification Search**
USPC D14/167, 168, 170–172, 188, 194–197,
D14/203.1–203.8, 204, 209.1, 210–217,
D14/219, 221, 222, 224, 239, 496
CPC B60R 11/0217; G06F 1/1688; G10K 9/22;
G10K 11/004; H03F 1/327; H04M 1/03;
H04M 1/035; H04N 5/642; H04N
21/4852; H04R 1/02; H04R 1/06; H04R
1/021; H04R 1/025; H04R 1/026; H04R
1/028; H04R 1/105; H04R 1/323; H04R
1/403; H04R 1/2803; H04R 1/2834;
H04R 5/02; H04R 7/20; H04R 9/06;
H04R 9/025; H04R 2201/021; H04R
2400/00; H04R 2400/07; H04R 2499/11;
H04R 2499/13; H04R 2499/15; H04S
3/00; H04S 7/30

See application file for complete search history.

(56) **References Cited**

U.S. PATENT DOCUMENTS

D281,158 S *	10/1985	Ishizaki	D14/214
D503,933 S *	4/2005	Lum	D14/215
D586,681 S *	2/2009	Jackson	D10/103
D727,814 S *	4/2015	Paulke	D12/192
D900,787 S *	11/2020	Molina	D14/215
D929,959 S *	9/2021	Kirkland	D14/214
D953,294 S *	5/2022	Susterman	D14/204

* cited by examiner

Primary Examiner — Keli L Hill

(74) *Attorney, Agent, or Firm* — Miller Law Group,
PLLC

(57) **CLAIM**

The ornamental design for a housing for mounting speakers in automotive vehicles, as shown and described.

DESCRIPTION

FIG. 1 is a front plan view of the housing for mounting speakers in automotive vehicles, containing the principles of the instant invention;
FIG. 2 is a top elevational view of the housing for mounting speakers shown in FIG. 1;
FIG. 3 is a bottom elevational plan view thereof;
FIG. 4 is a rear plan view thereof;
FIG. 5 is a left side elevational view thereof;
FIG. 6 is a right side elevational view thereof;
FIG. 7 is a right, front perspective view thereof; and,
FIG. 8 is a left, rear perspective view thereof.

1 Claim, 6 Drawing Sheets

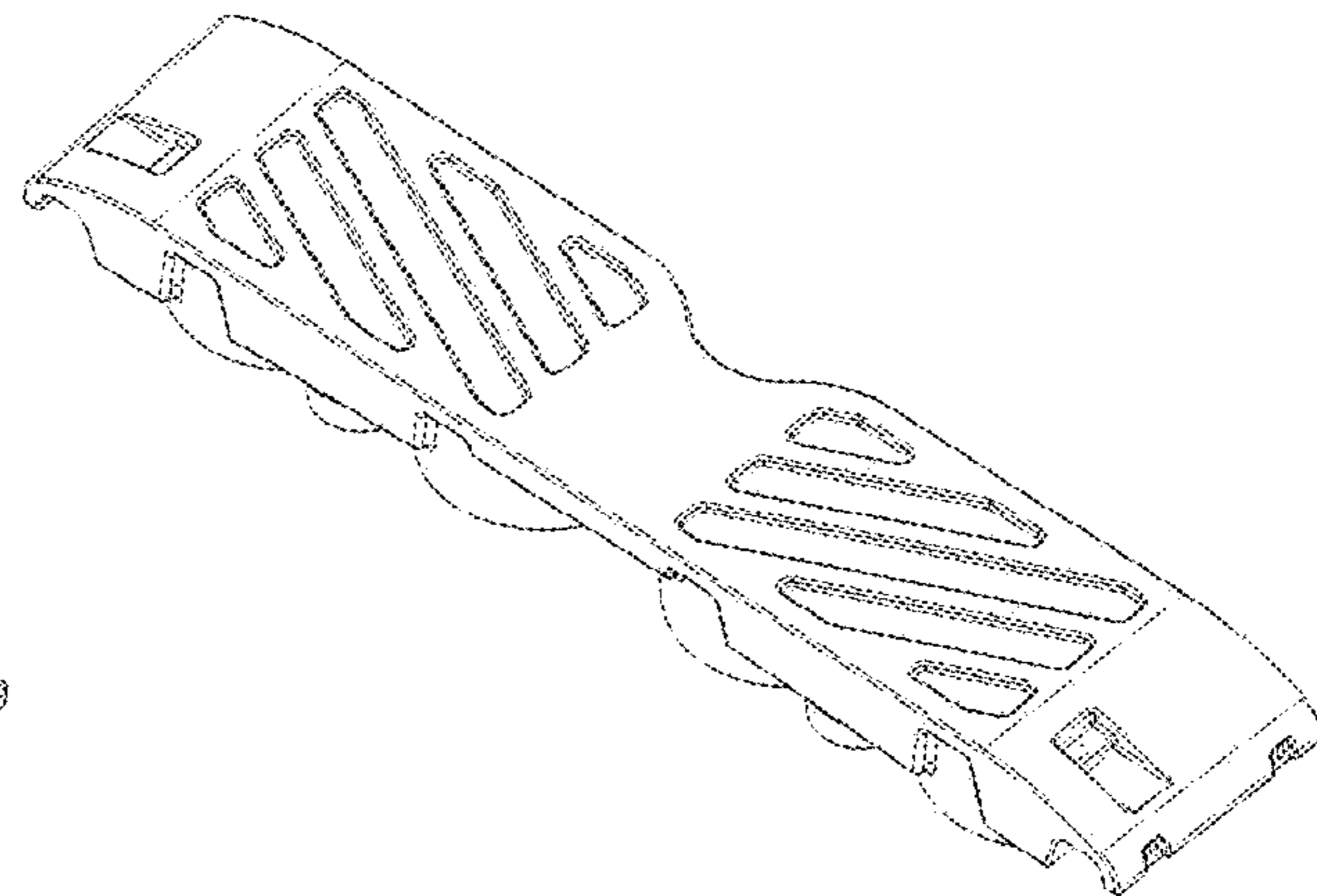
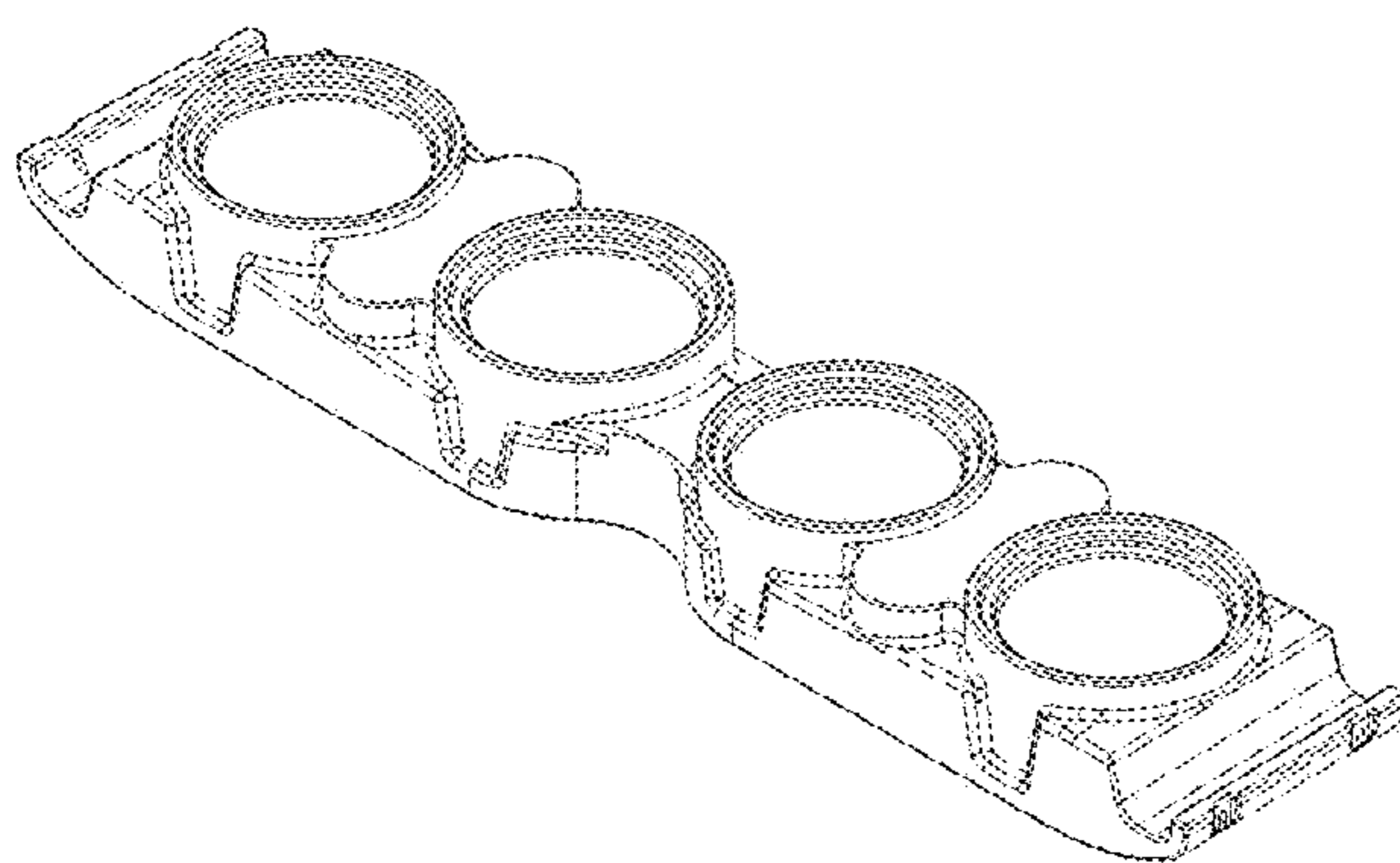


Fig. 1

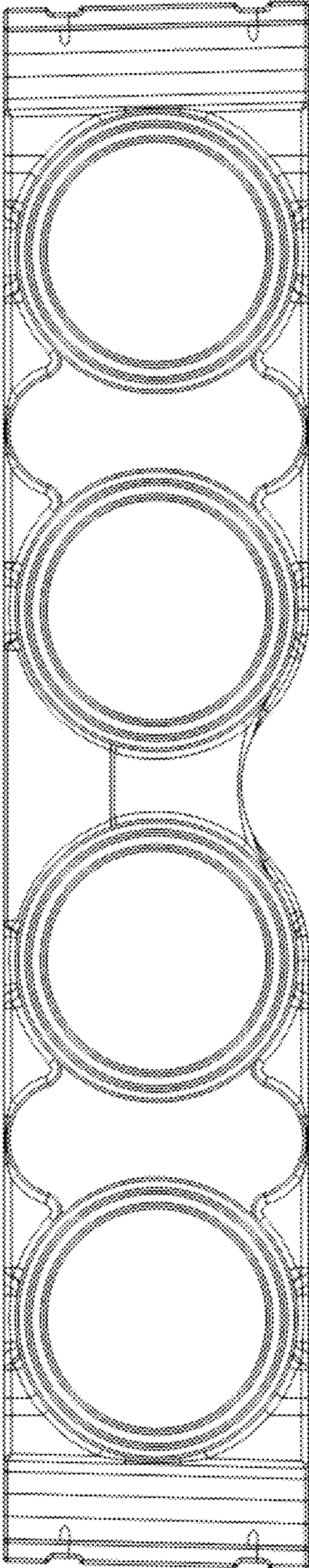


Fig. 2

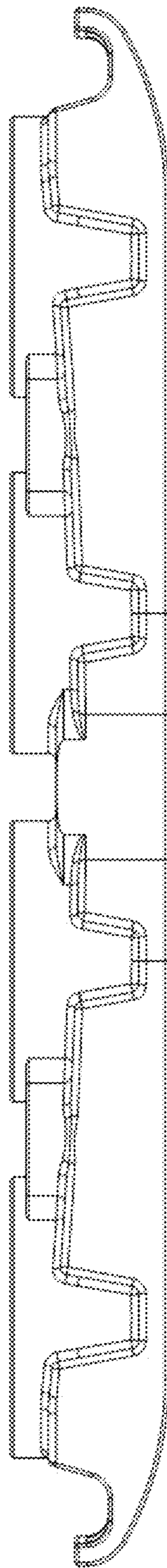
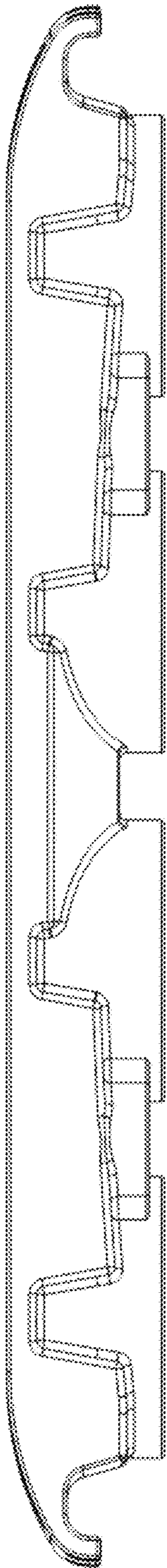


Fig. 3

Fig. 4

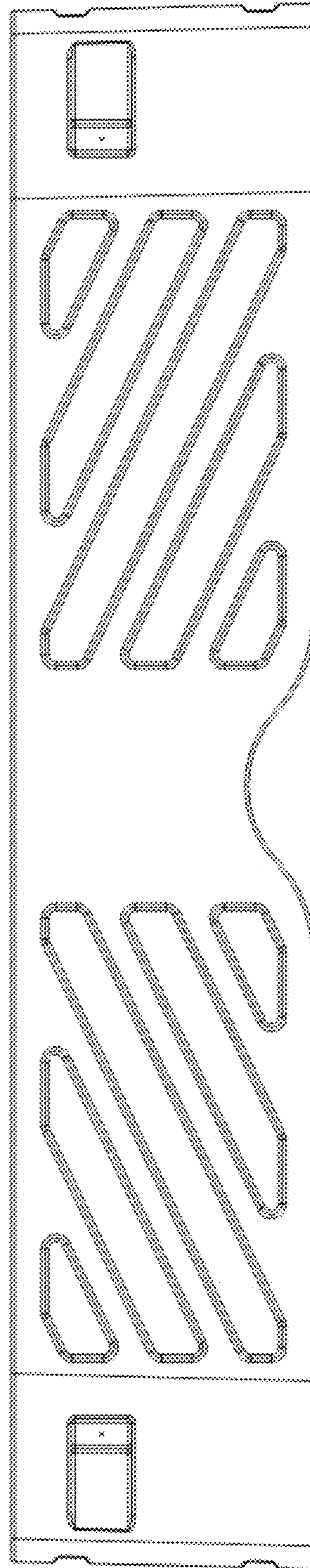


Fig. 6

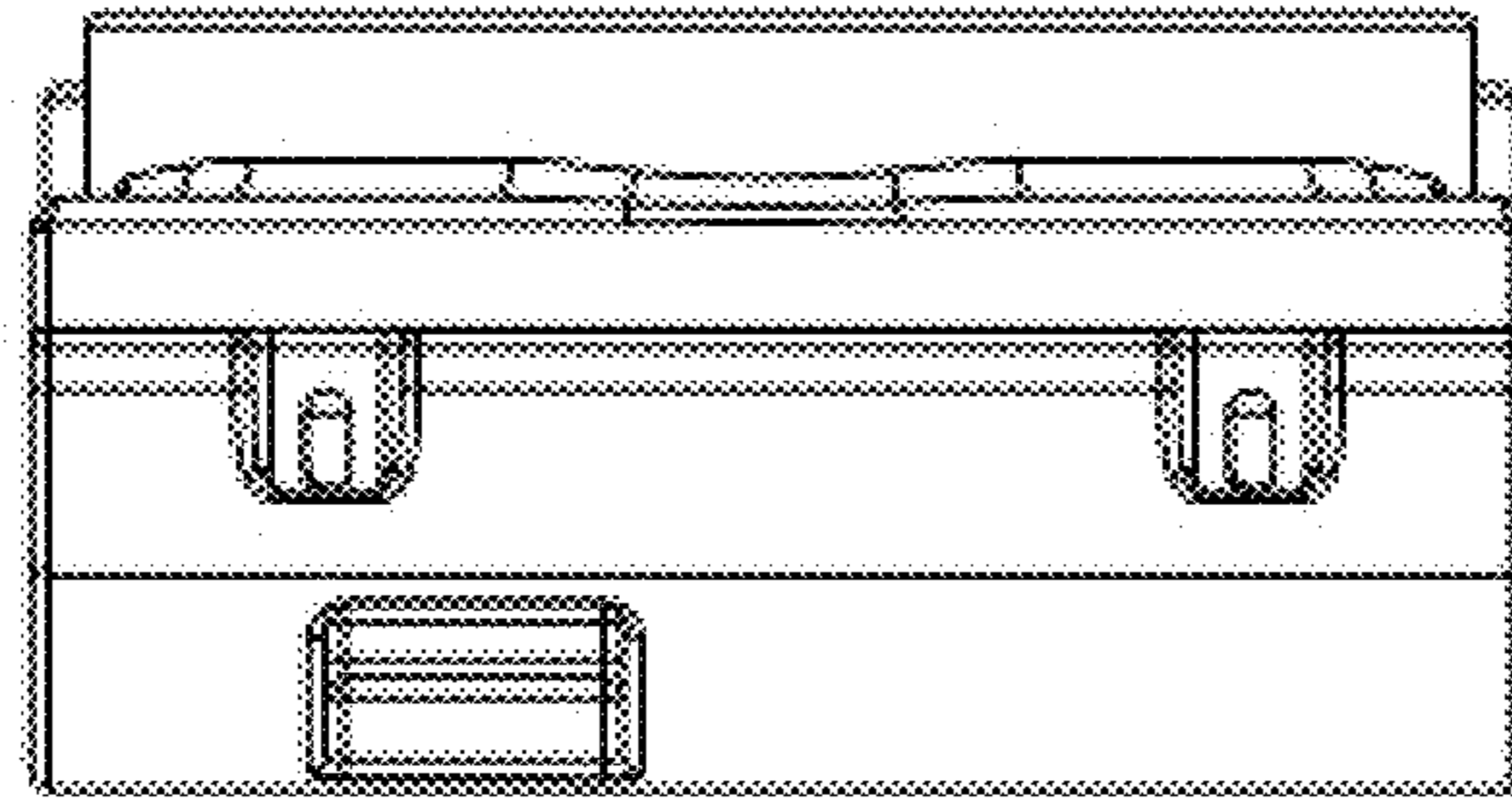
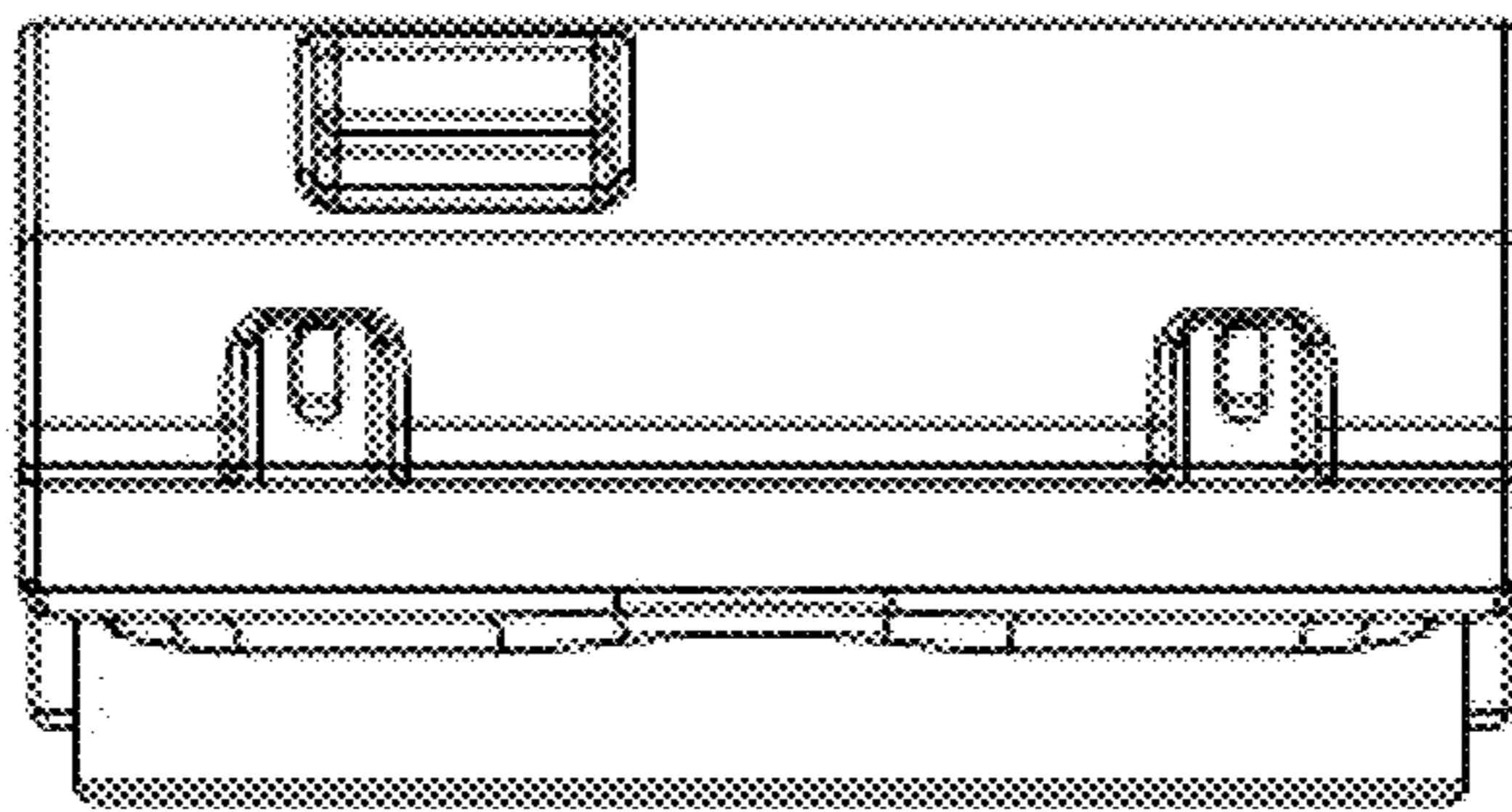


Fig. 5

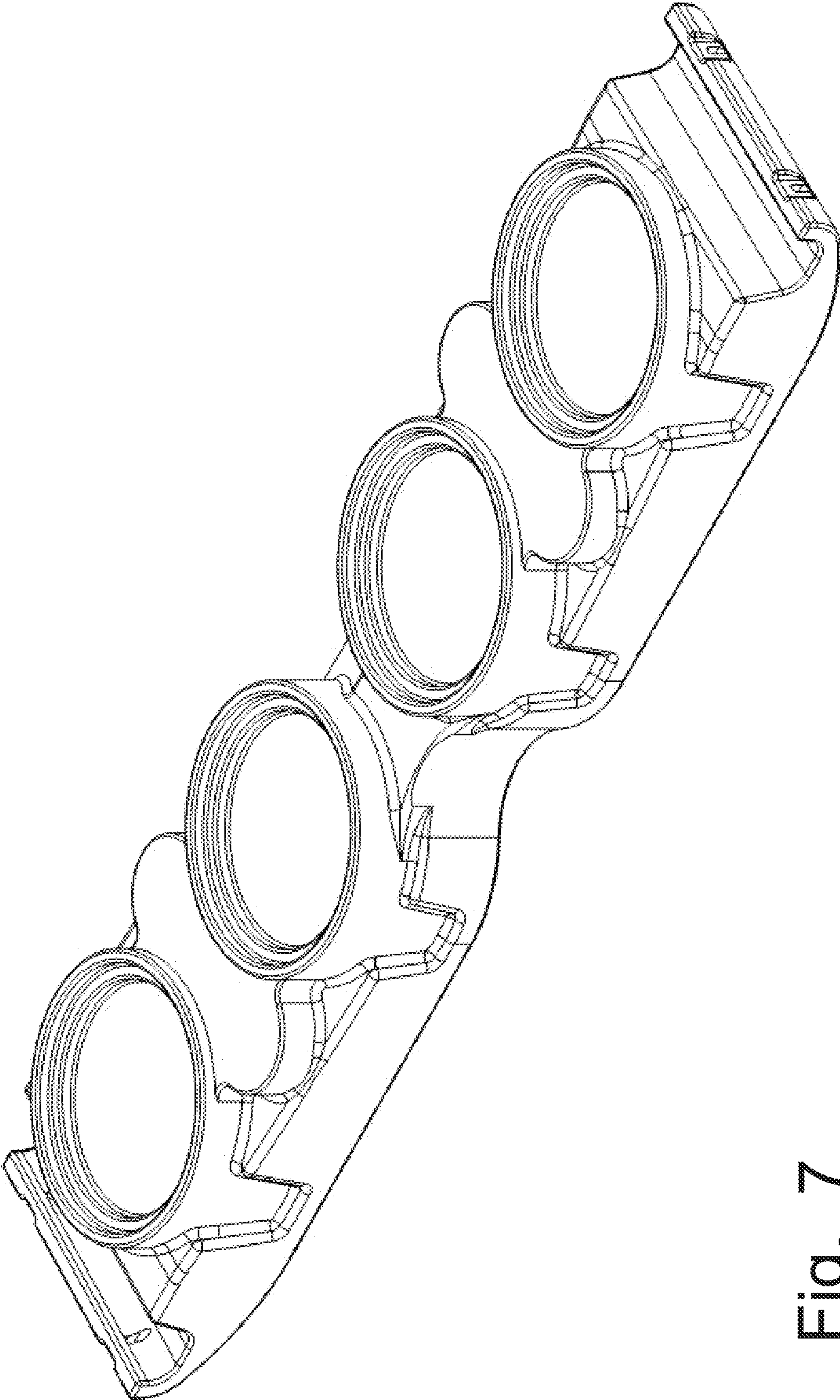


Fig. 7

Fig. 8

