



US00D978110S

(12) **United States Design Patent**
Chai

(10) **Patent No.:** **US D978,110 S**

(45) **Date of Patent:** **** Feb. 14, 2023**

- (54) **WHITE NOISE SLEEP AID**
- (71) Applicant: **Jinxiang Chai**, Yueyang (CN)
- (72) Inventor: **Jinxiang Chai**, Yueyang (CN)
- (**) Term: **15 Years**
- (21) Appl. No.: **29/808,959**
- (22) Filed: **Sep. 24, 2021**
- (51) **LOC (14) Cl.** **14-01**
- (52) **U.S. Cl.**
USPC **D14/216**
- (58) **Field of Classification Search**
USPC D14/204, 240, 210, 496, 356, 125, 225,
D14/227; D13/108; D10/106.1, 104.1;
D23/364
CPC H02J 7/0042; H02J 7/025; H04R 1/025;
H04R 1/02; H04R 1/403; H04R 1/345
See application file for complete search history.

- D875,079 S 2/2020 Luo
- D889,434 S 7/2020 Xie
- D890,120 S 7/2020 Peng
- D890,812 S * 7/2020 Benedetti D14/497
- D900,788 S 11/2020 Wang
- D927,463 S 8/2021 Johnson
- D934,193 S * 10/2021 Zhang D14/204
- D949,124 S * 4/2022 Zhang D14/204

* cited by examiner

Primary Examiner — Khawaja Anwar

Assistant Examiner — Megan Tiana Rakos

(74) *Attorney, Agent, or Firm* — Rumit Ramjit Kanakia

(57) **CLAIM**

The ornamental design for a white noise sleep aid, as shown and described.

DESCRIPTION

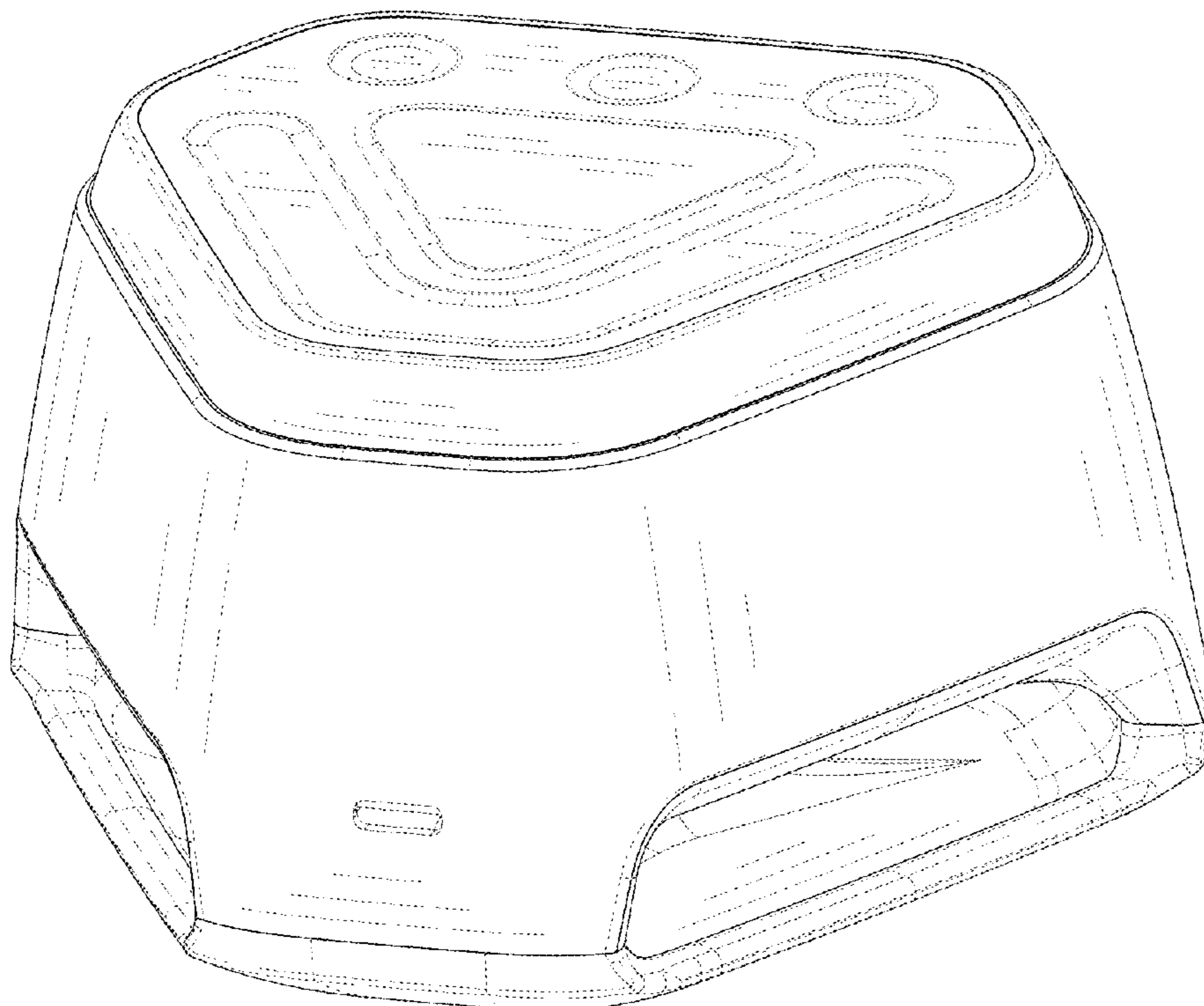
FIG. 1 is a front elevational view of a white noise sleep aid showing my new design;
 FIG. 2 is a rear elevational view thereof;
 FIG. 3 is a left side elevational view thereof;
 FIG. 4 is a right side elevational view thereof;
 FIG. 5 is a top plan view thereof;
 FIG. 6 is a bottom plan view thereof;
 FIG. 7 is a perspective view thereof; and,
 FIG. 8 is another perspective view thereof.
 The broken lines in the figures are for the purpose of illustrating portions of the white noise sleep aid, which form no part of the claimed design.

1 Claim, 8 Drawing Sheets

(56) **References Cited**

U.S. PATENT DOCUMENTS

- D403,328 S * 12/1998 Wakefield D14/229
- D584,290 S 1/2009 Lee
- D607,435 S * 1/2010 Jiang D14/204
- D618,212 S * 6/2010 Jiang D14/204
- D671,095 S * 11/2012 Ching D14/204
- D723,461 S * 3/2015 Chen D13/108
- D742,824 S * 11/2015 Hsu D13/103
- D848,398 S 5/2019 Huang
- D855,583 S 8/2019 Capecelatro
- D865,716 S 11/2019 Kuang
- D868,031 S 11/2019 Ryu



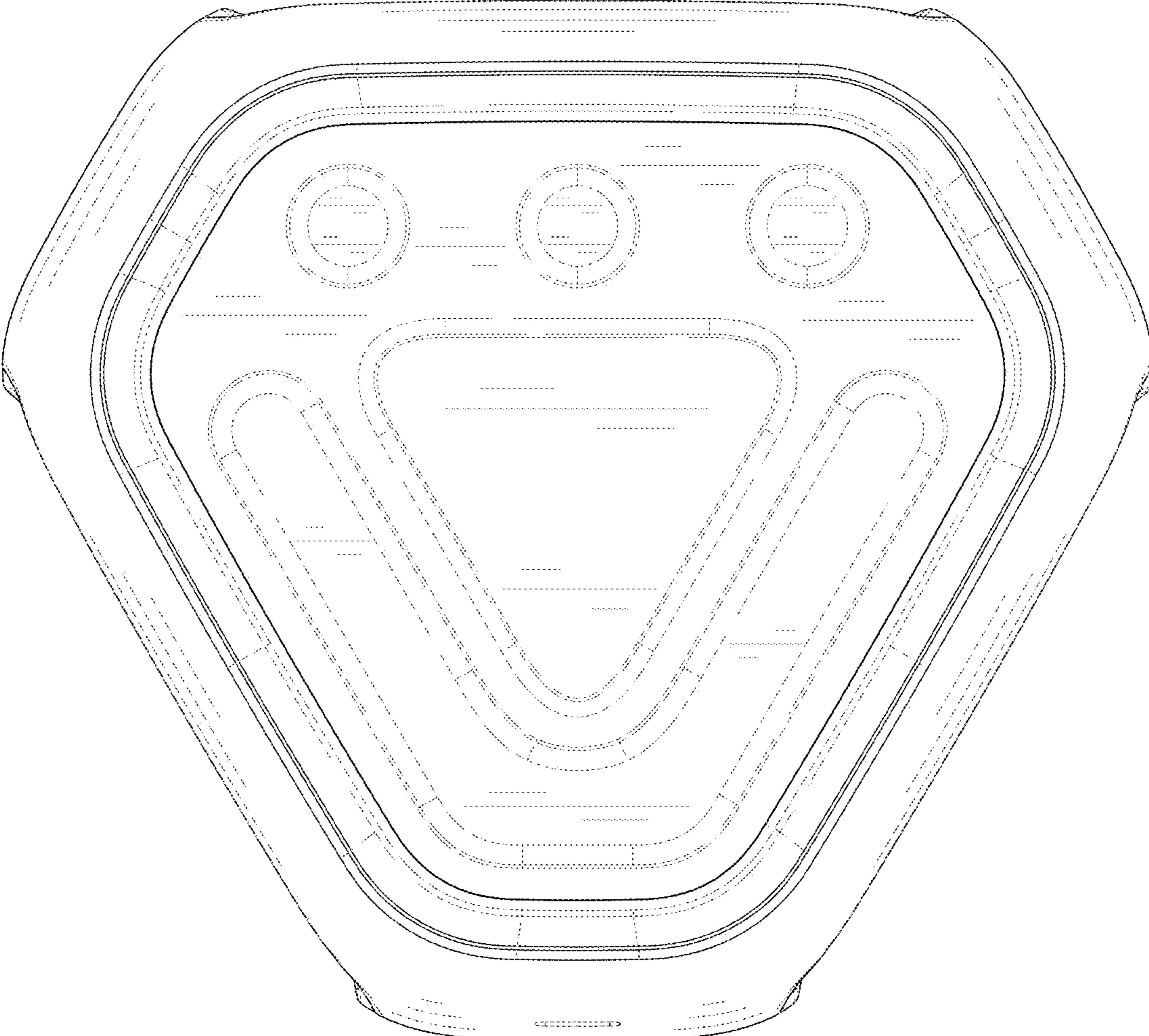


FIG. 1

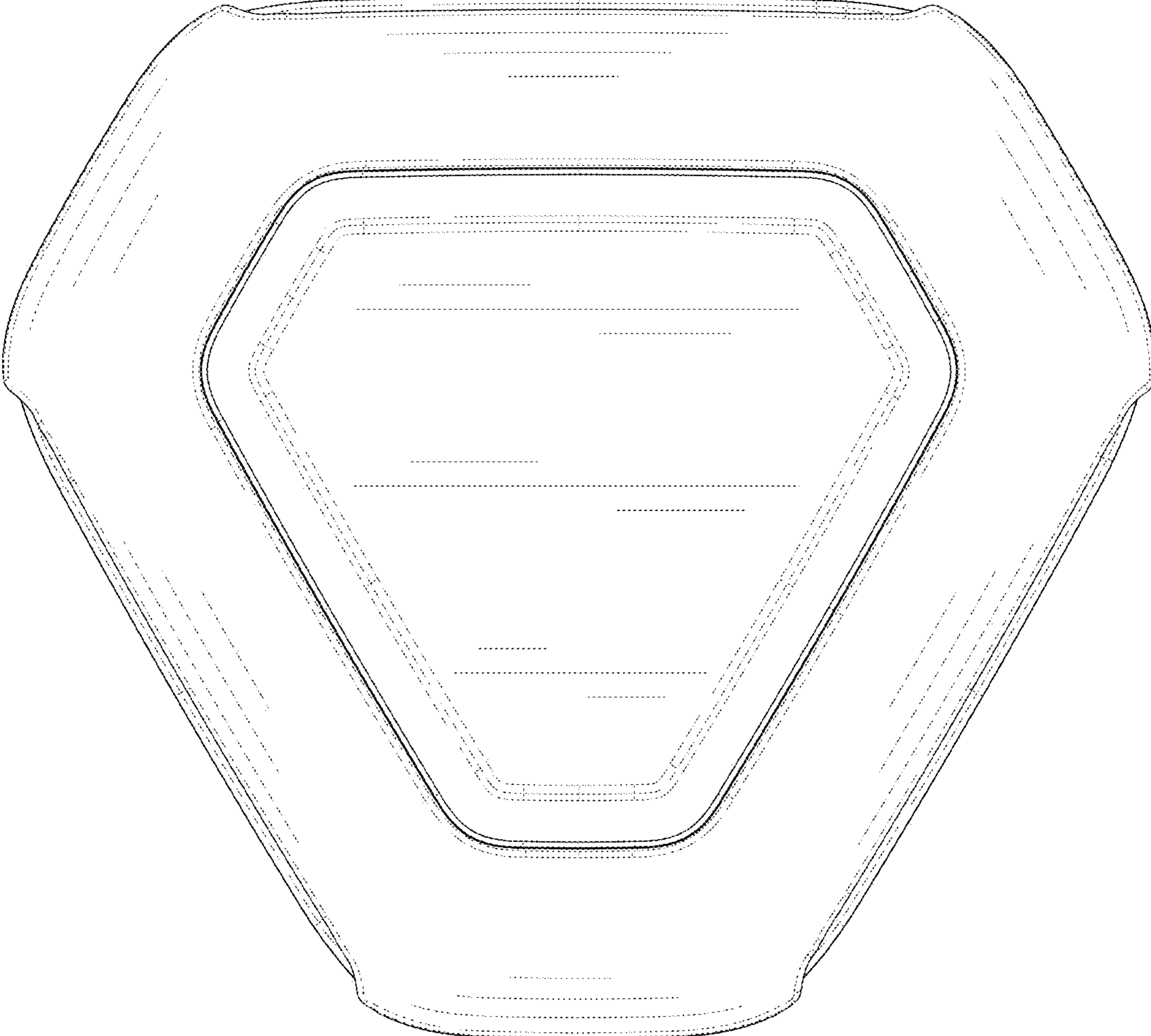


FIG. 2

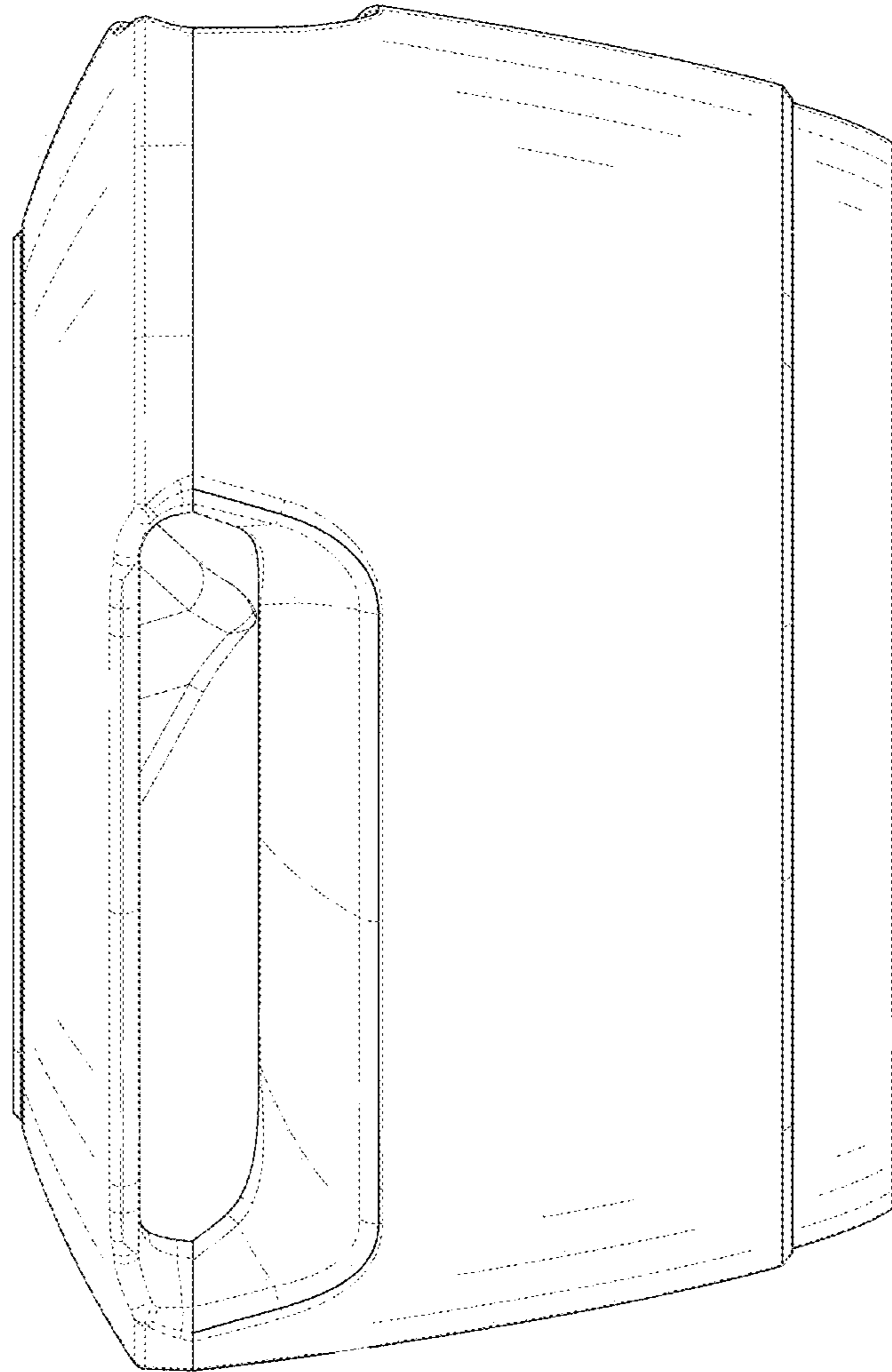


FIG. 3

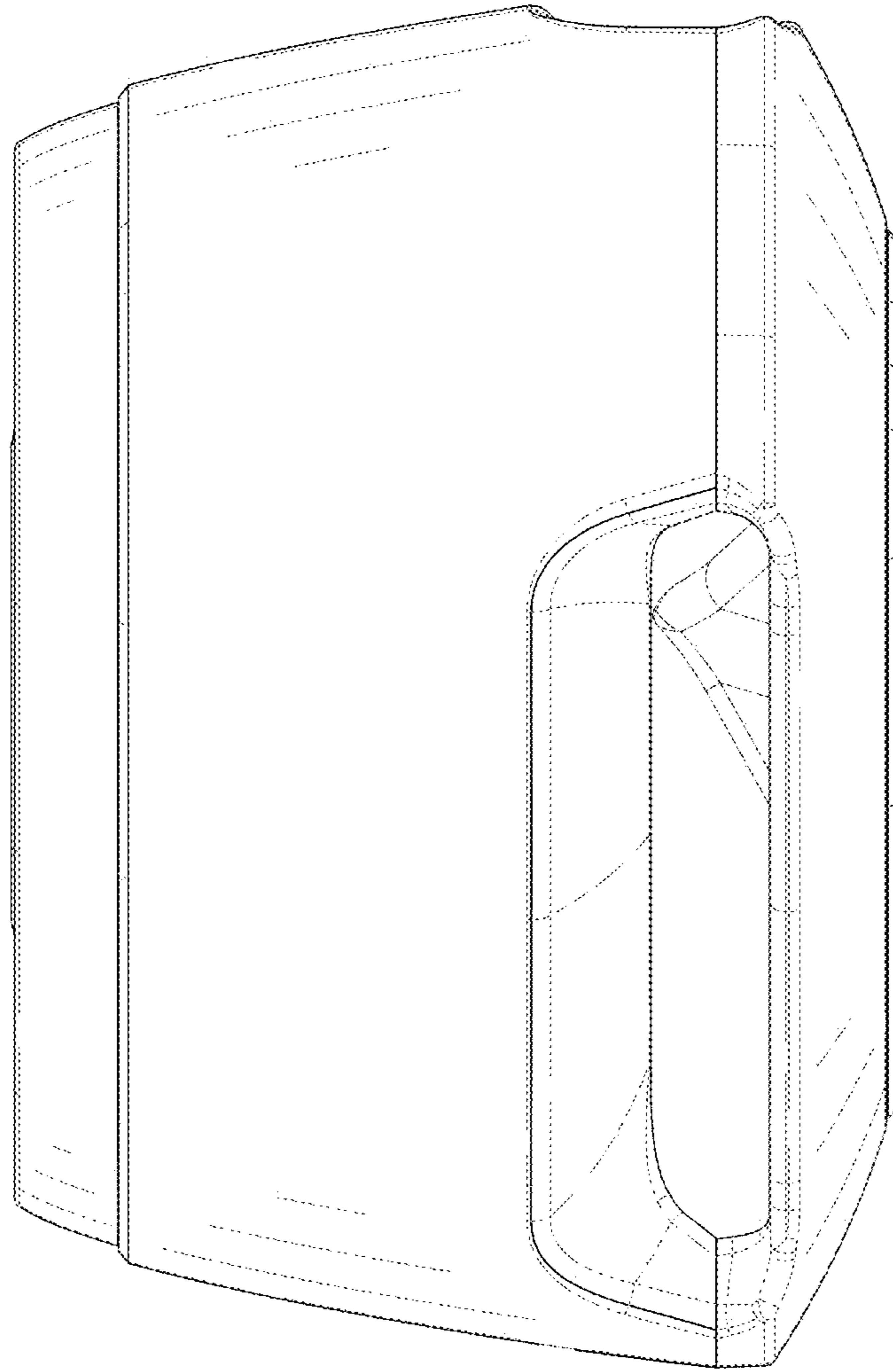


FIG. 4

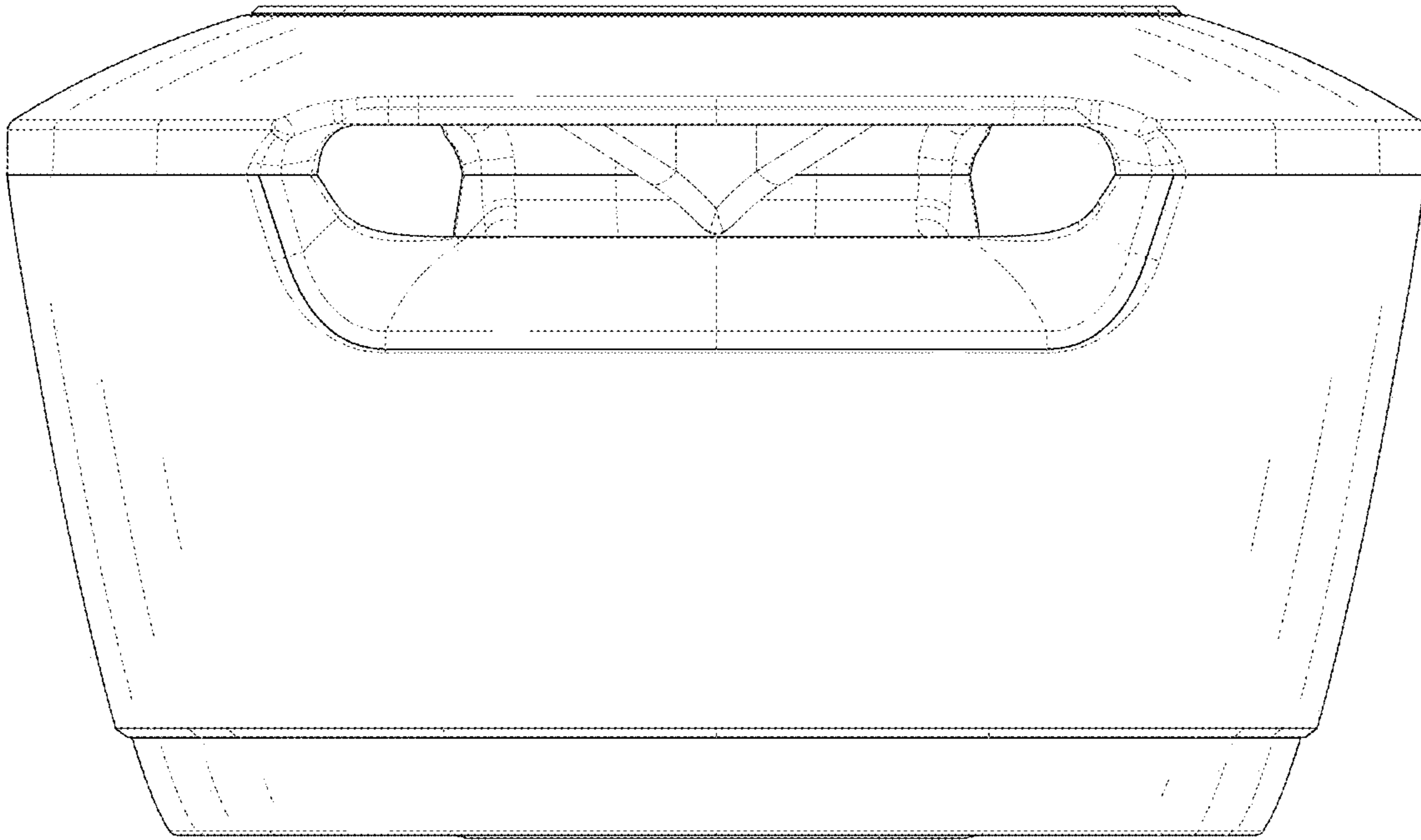


FIG. 5

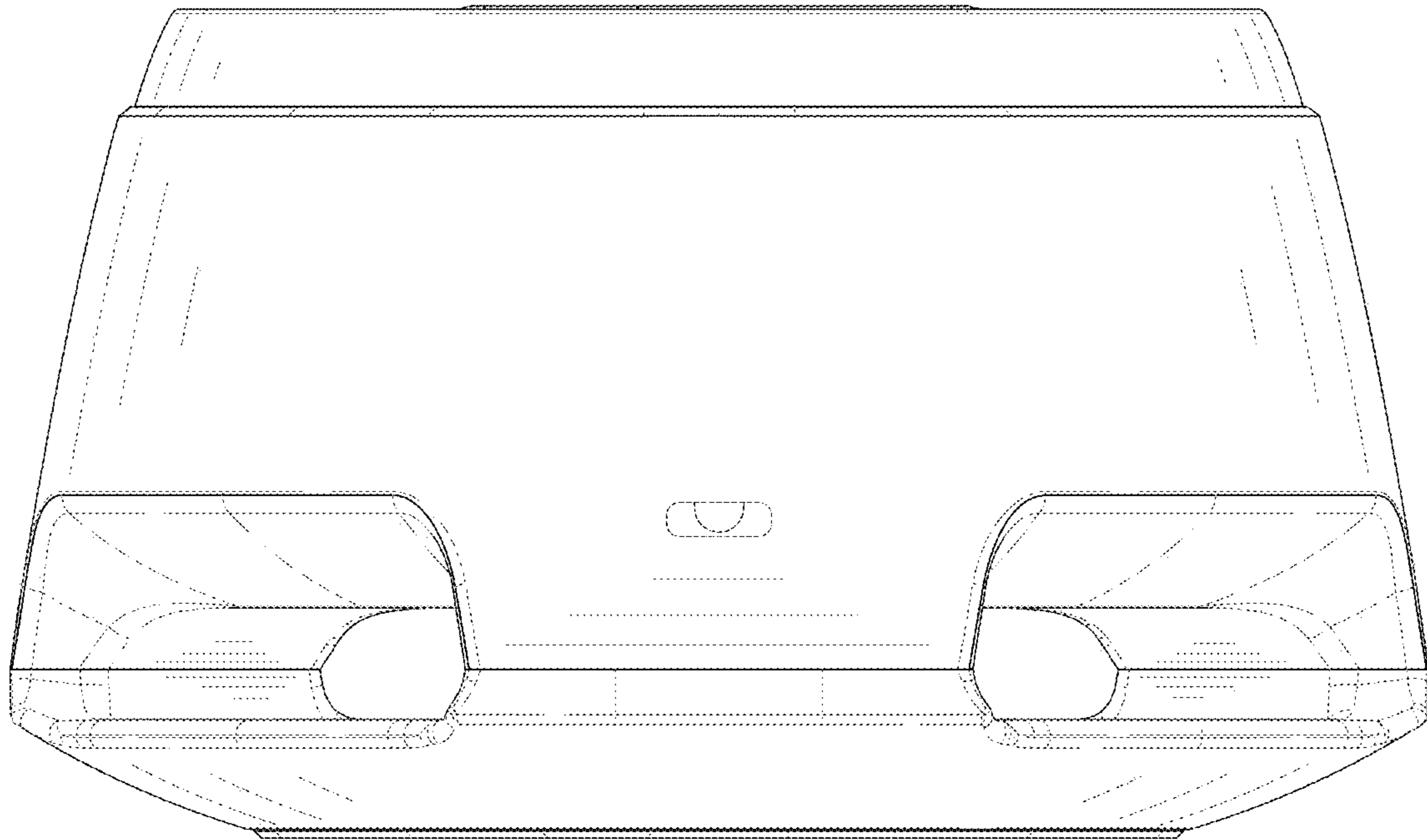


FIG. 6

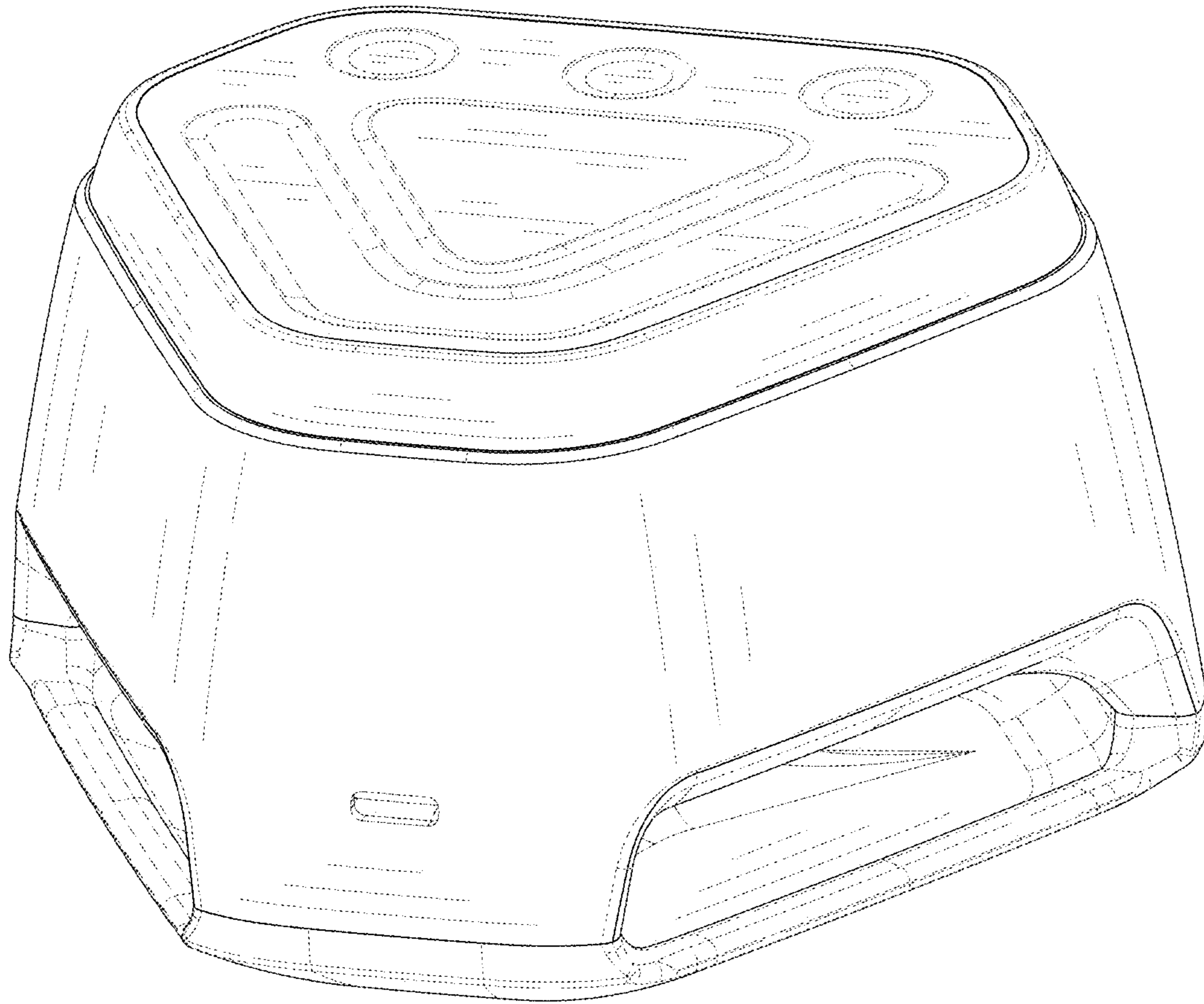


FIG. 7

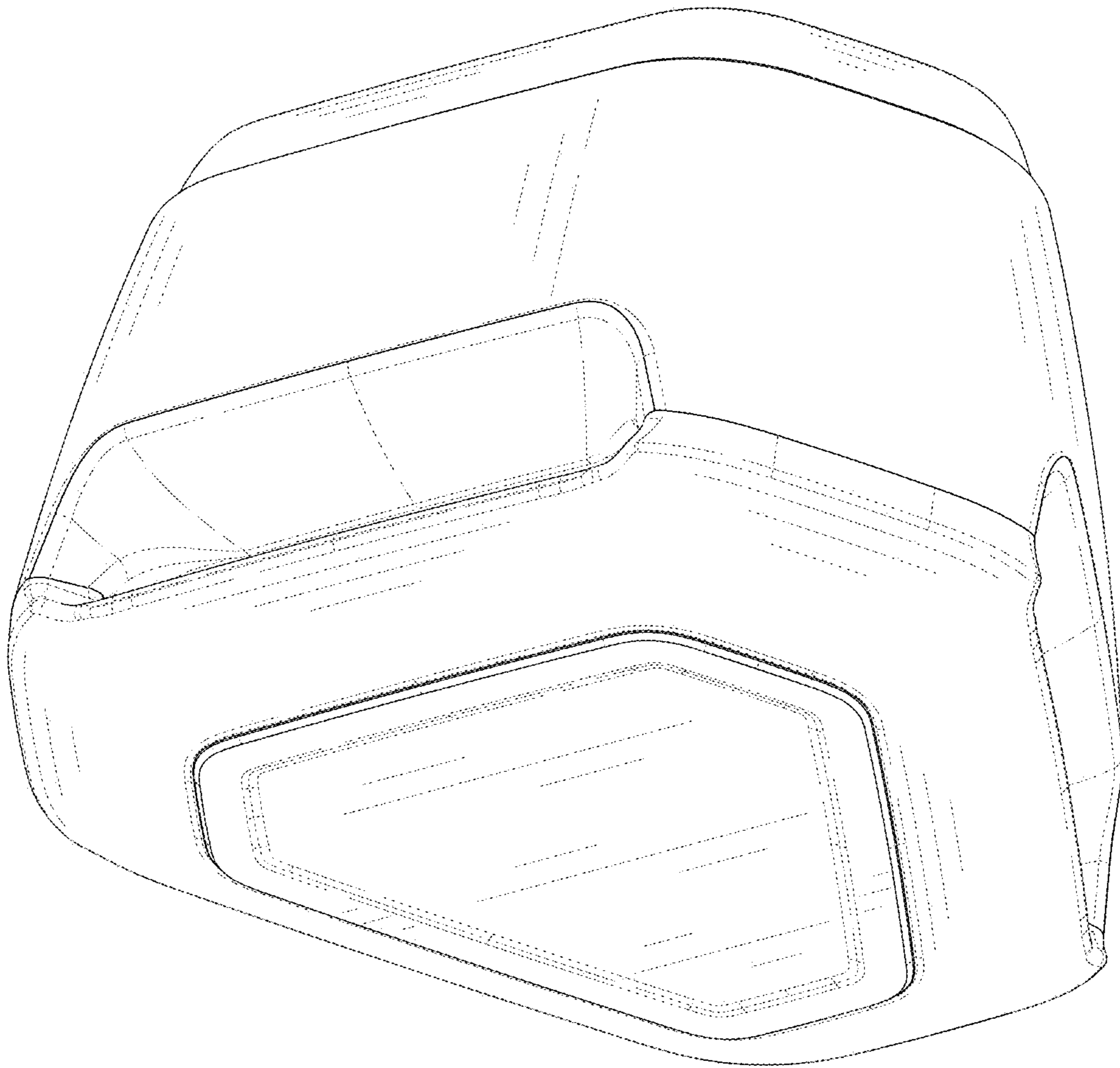


FIG. 8