



US00D978108S

(12) **United States Design Patent**  
**Li**

(10) **Patent No.:** **US D978,108 S**

(45) **Date of Patent:** **\*\* Feb. 14, 2023**

(54) **WIRELESS SPEAKER**

(71) Applicant: **Yu Li**, Shenzhen (CN)

(72) Inventor: **Yu Li**, Shenzhen (CN)

(\*\*) Term: **15 Years**

(21) Appl. No.: **29/797,554**

(22) Filed: **Jul. 1, 2021**

(51) **LOC (14) Cl.** ..... **14-01**

(52) **U.S. Cl.**  
USPC ..... **D14/214**

(58) **Field of Classification Search**  
USPC ..... D14/195, 204, 215, 210, 214, 168, 170,  
D14/225, 188, 356, 203.3, 211, 171,  
D14/209.1, 496; D10/15, 106.1, 104.1;  
D23/364  
CPC ..... H04R 1/025; H04R 1/403; H04R 1/345;  
H04R 1/2803

See application file for complete search history.

(56) **References Cited**

**U.S. PATENT DOCUMENTS**

D572,232 S *	7/2008	Joseph	.....	D14/188
D720,334 S *	12/2014	Wang	.....	D14/204
D758,344 S *	6/2016	Nakamura	.....	D14/214
D761,227 S *	7/2016	Poandl	.....	D14/204
D824,879 S *	8/2018	Vogt, Jr.	.....	D14/214

D852,161 S *	6/2019	Hannibal, III	.....	D14/188
D880,447 S *	4/2020	Chen	.....	D14/204
D913,987 S *	3/2021	Li	.....	D14/204
D955,895 S *	6/2022	Yu	.....	D10/15
D960,862 S *	8/2022	Zheng	.....	D14/204
D964,863 S *	9/2022	Yu	.....	D10/15

\* cited by examiner

*Primary Examiner* — Khawaja Anwar

*Assistant Examiner* — Megan Tiana Rakos

(74) *Attorney, Agent, or Firm* — Rumit Ranjit Kanakia

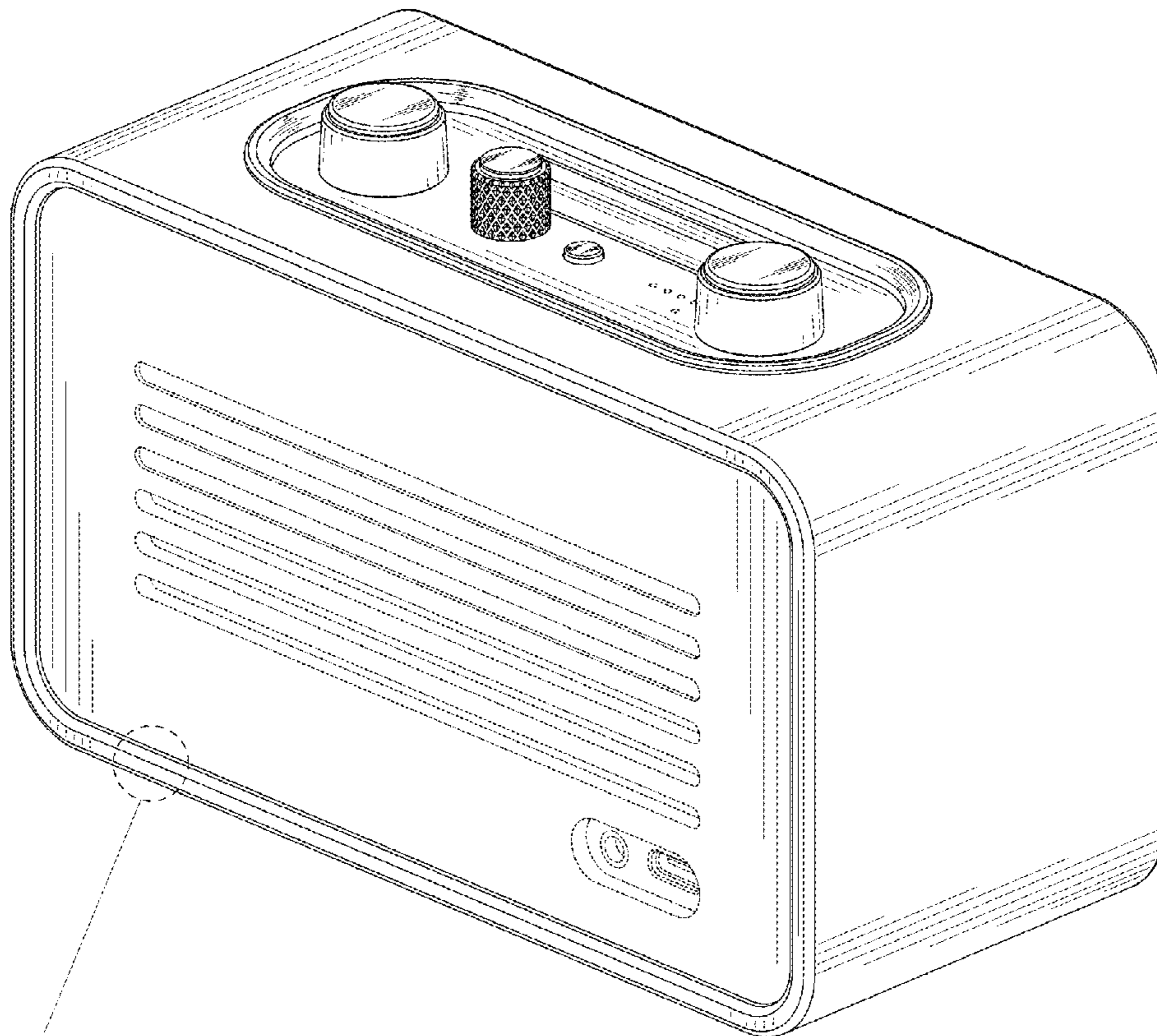
(57) **CLAIM**

I claim the ornamental design for a wireless speaker, as shown and described.

**DESCRIPTION**

FIG. 1 is a Front and Bottom Perspective view of a wireless speaker showing my new design;  
 FIG. 2 is a Back and Top Perspective view thereof;  
 FIG. 3 is a Front view thereof;  
 FIG. 4 is a Back view thereof;  
 FIG. 5 is a Left-side view thereof;  
 FIG. 6 is a Right-side view thereof;  
 FIG. 7 is a Top view thereof;  
 FIG. 8 is a Bottom view thereof;  
 FIG. 9 is an enlarged Front Perspective view of FIG. 1; and,  
 FIG. 10 is an enlarged Back Perspective view of FIG. 2.  
 The broken lines in the drawings depict portions of the wireless speaker that form no part of the claimed design.

**1 Claim, 10 Drawing Sheets**



10

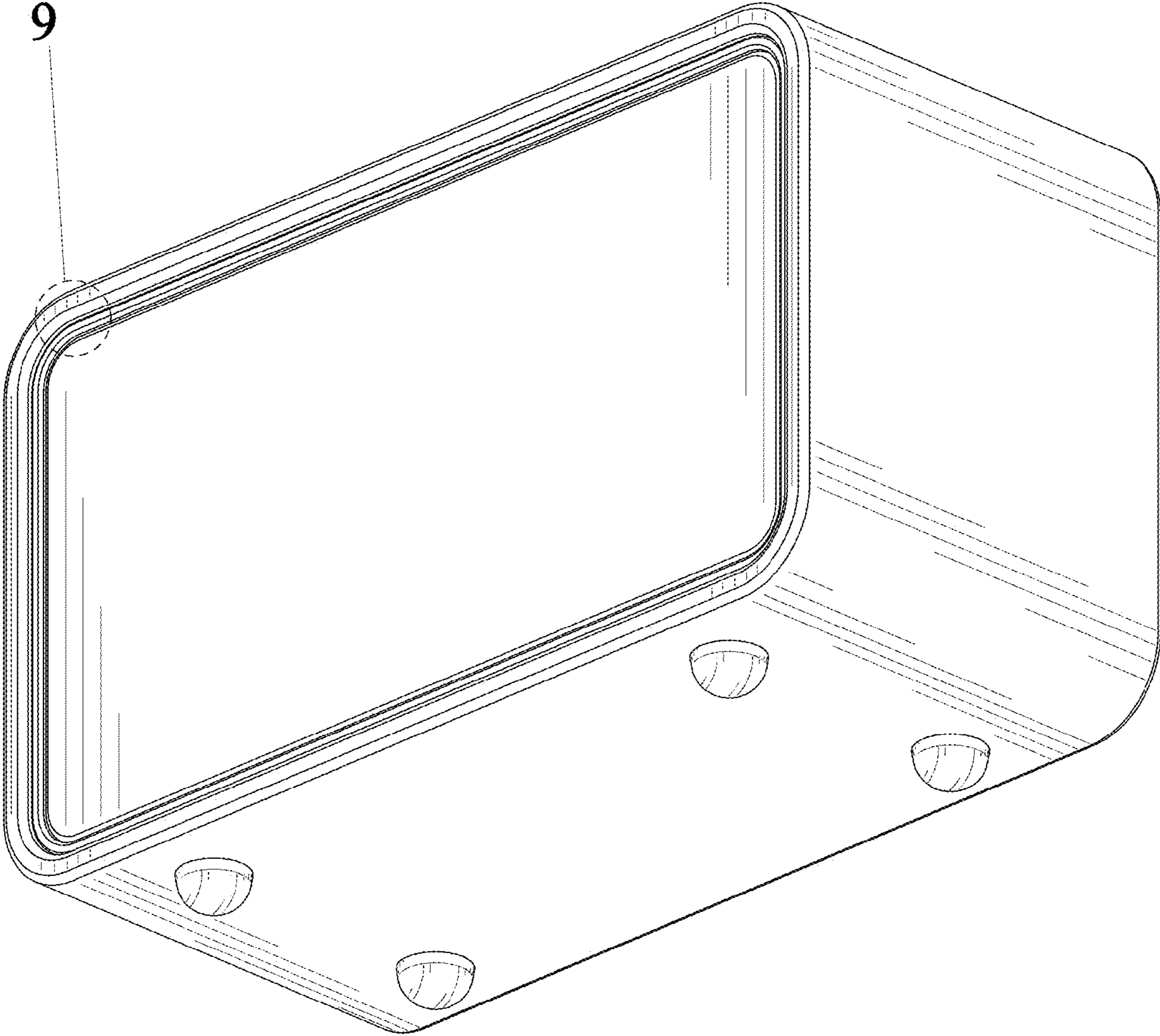


FIG. 1

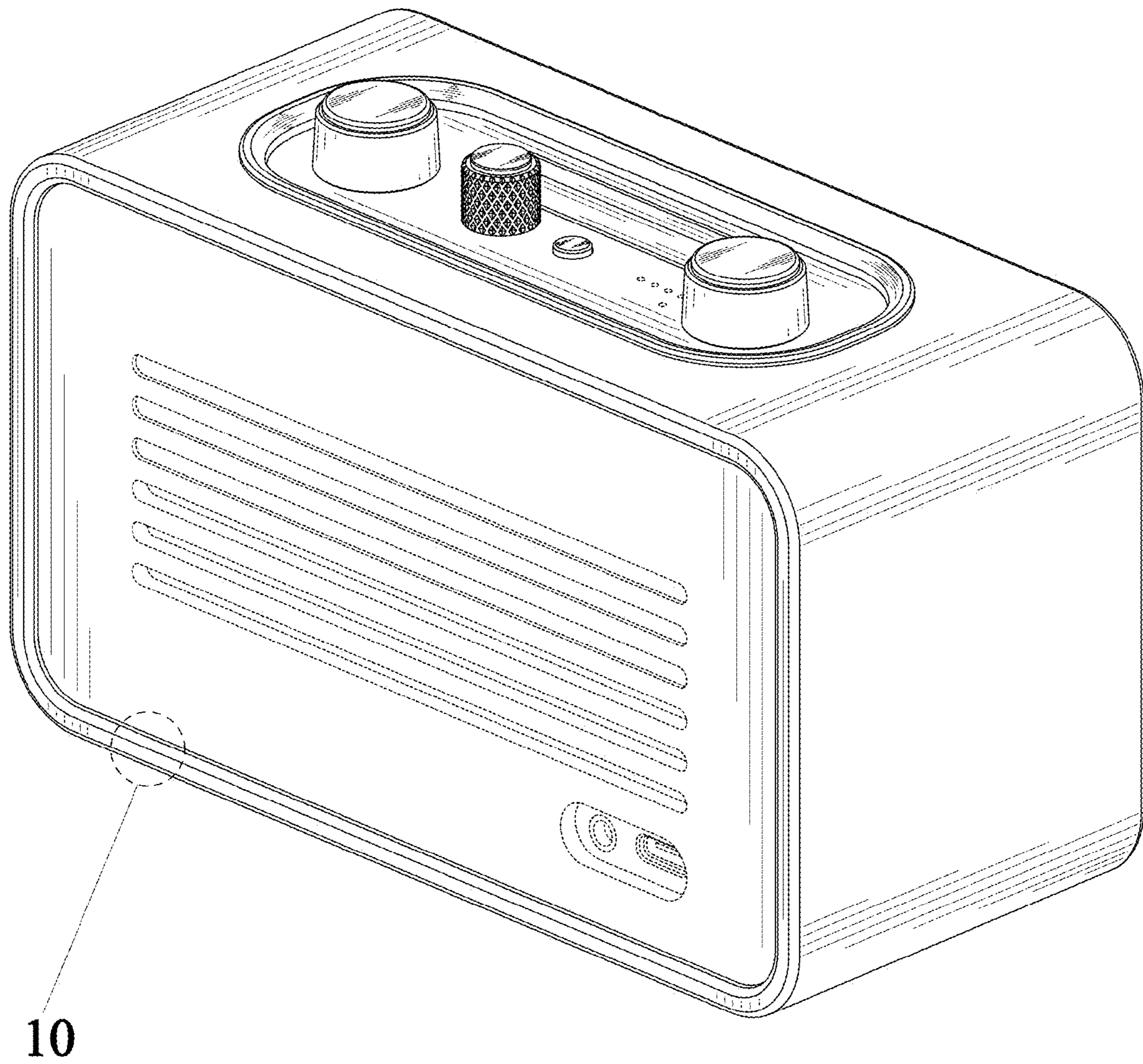


FIG. 2

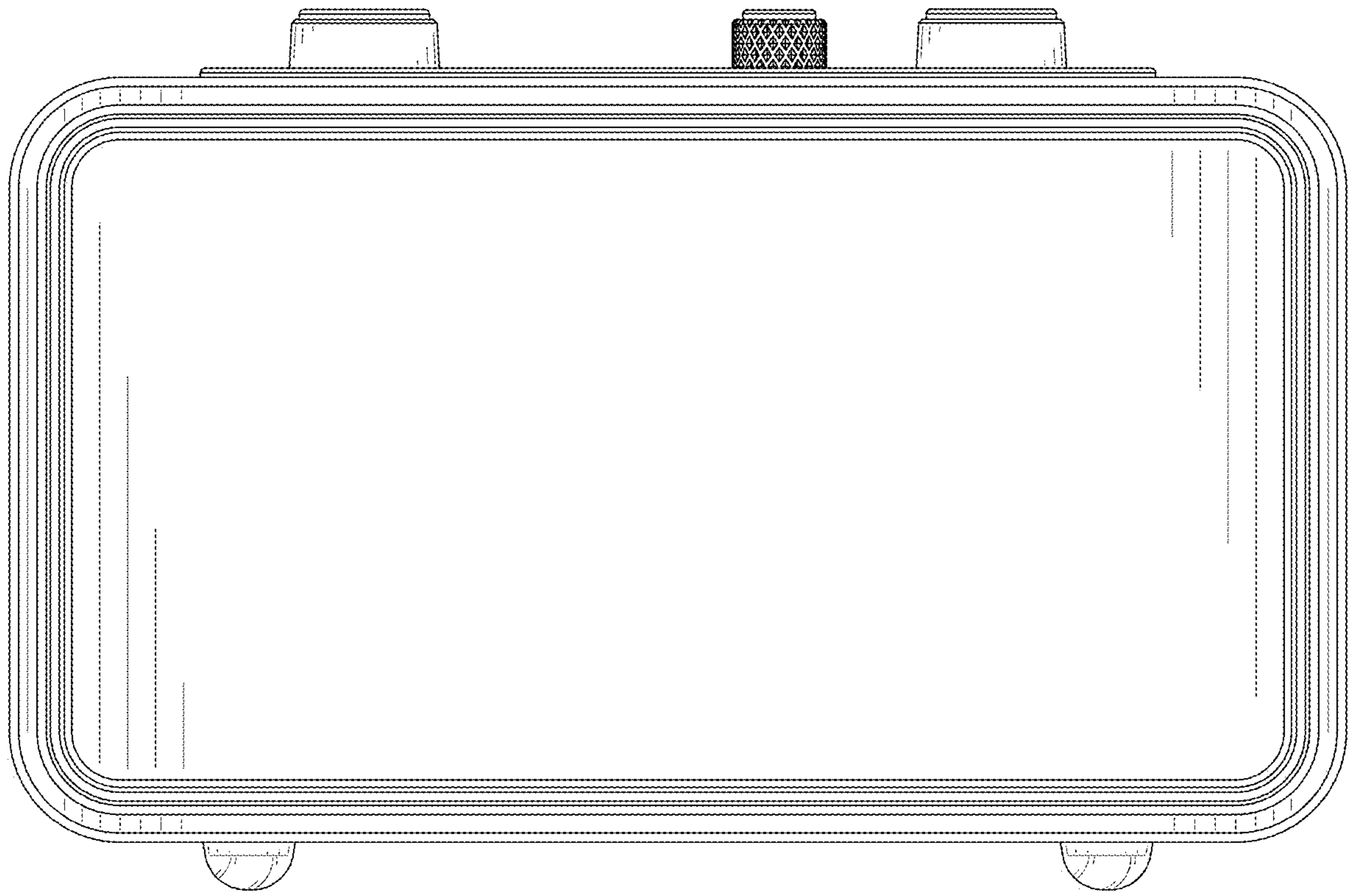


FIG. 3

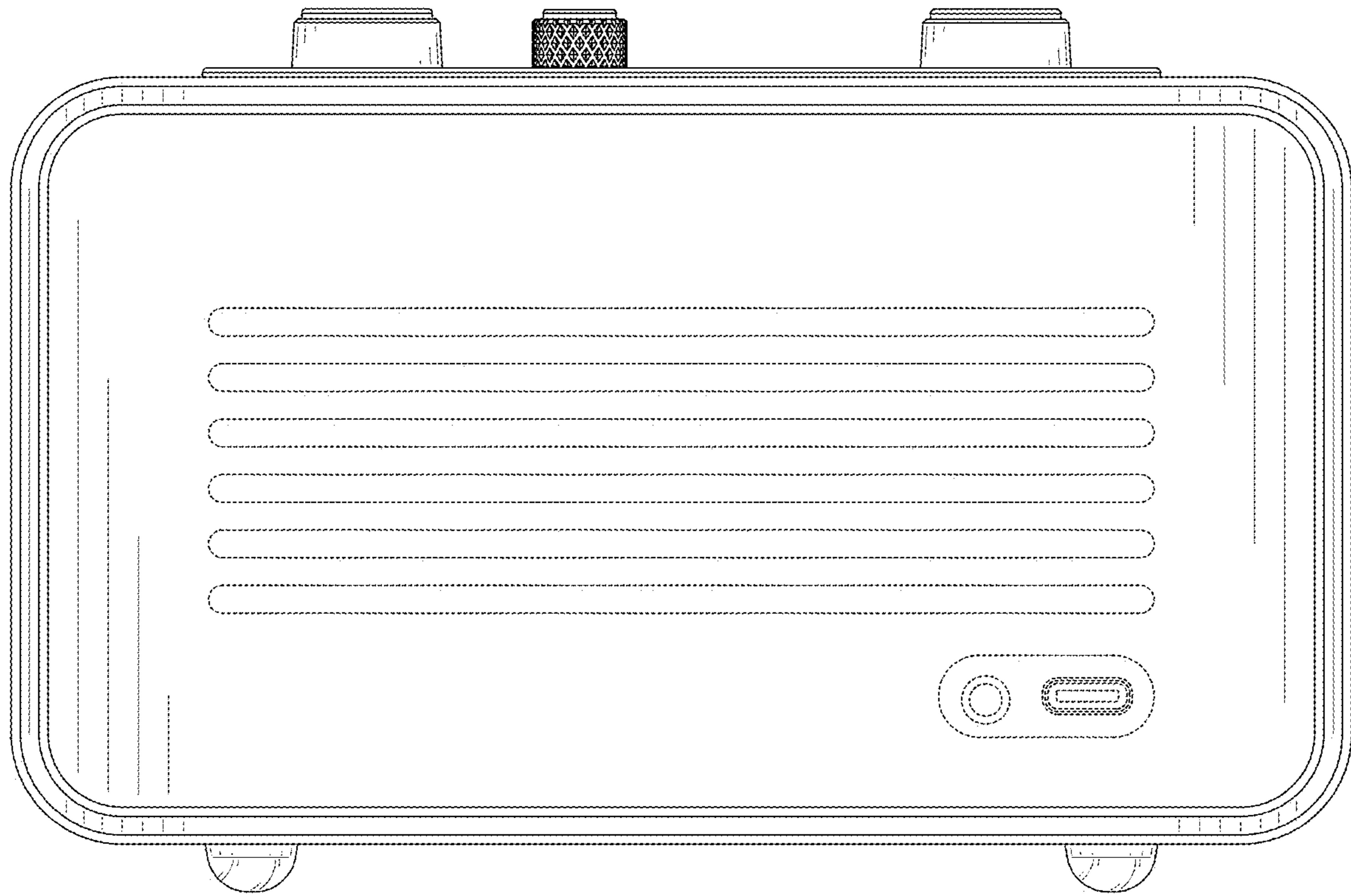


FIG. 4

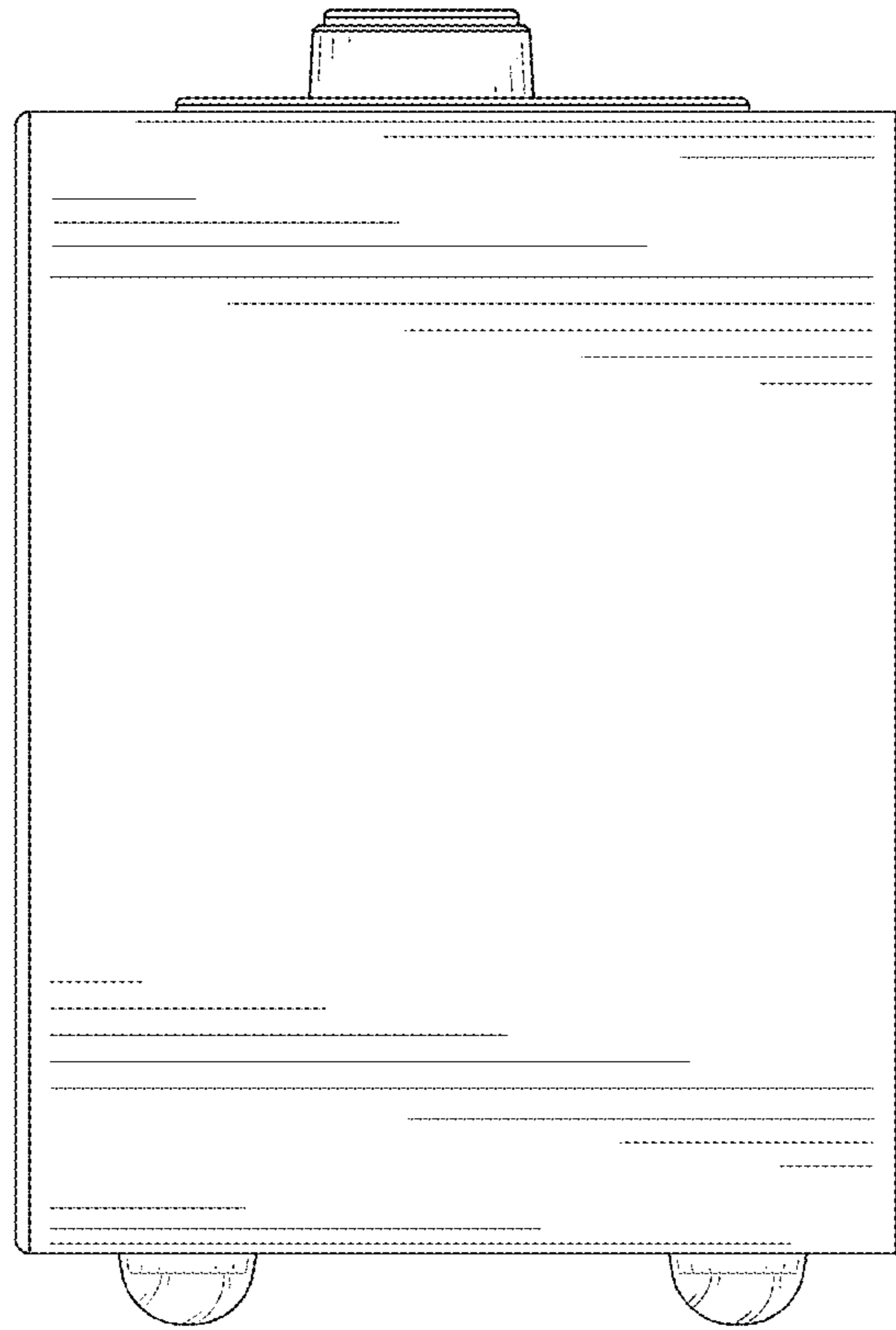


FIG. 5

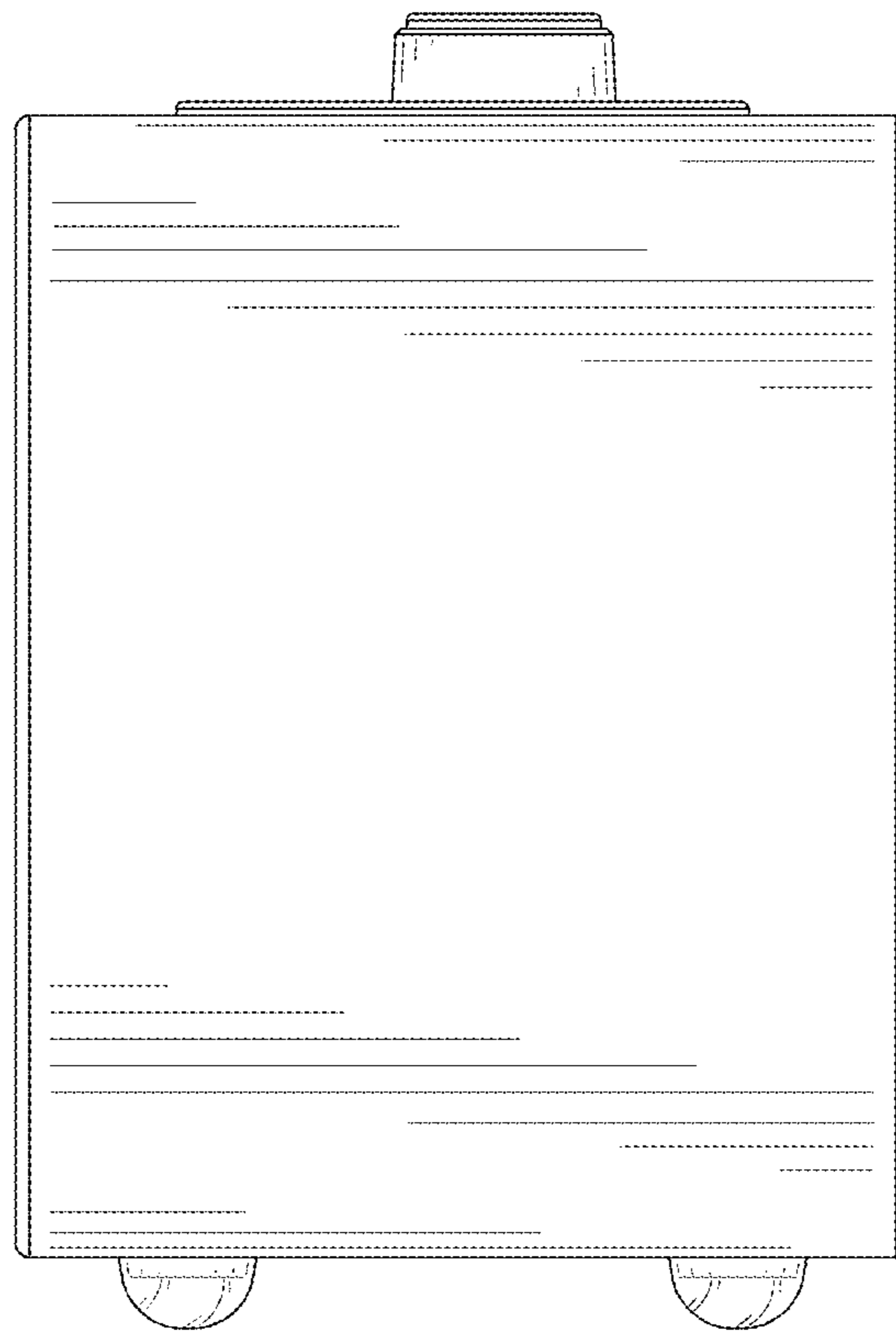


FIG. 6

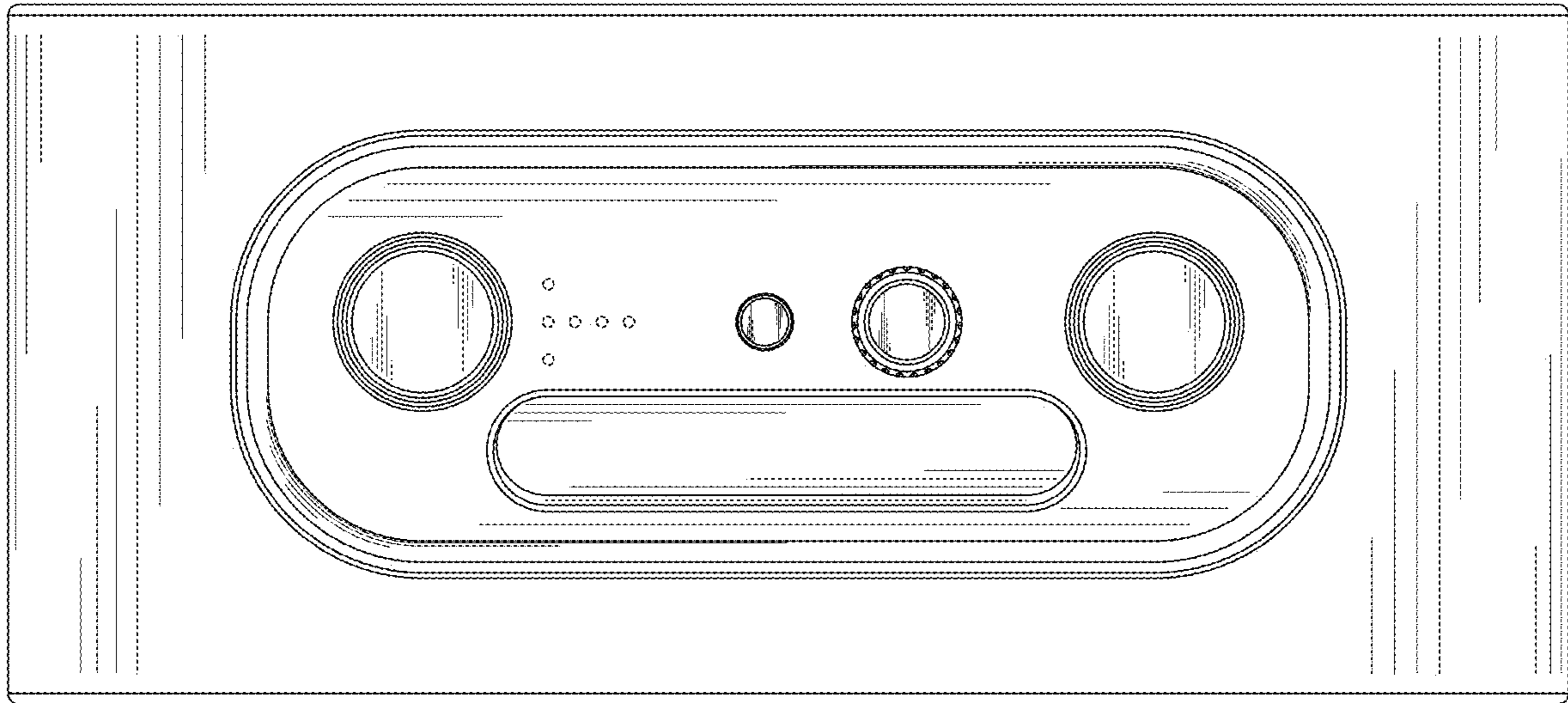


FIG. 7



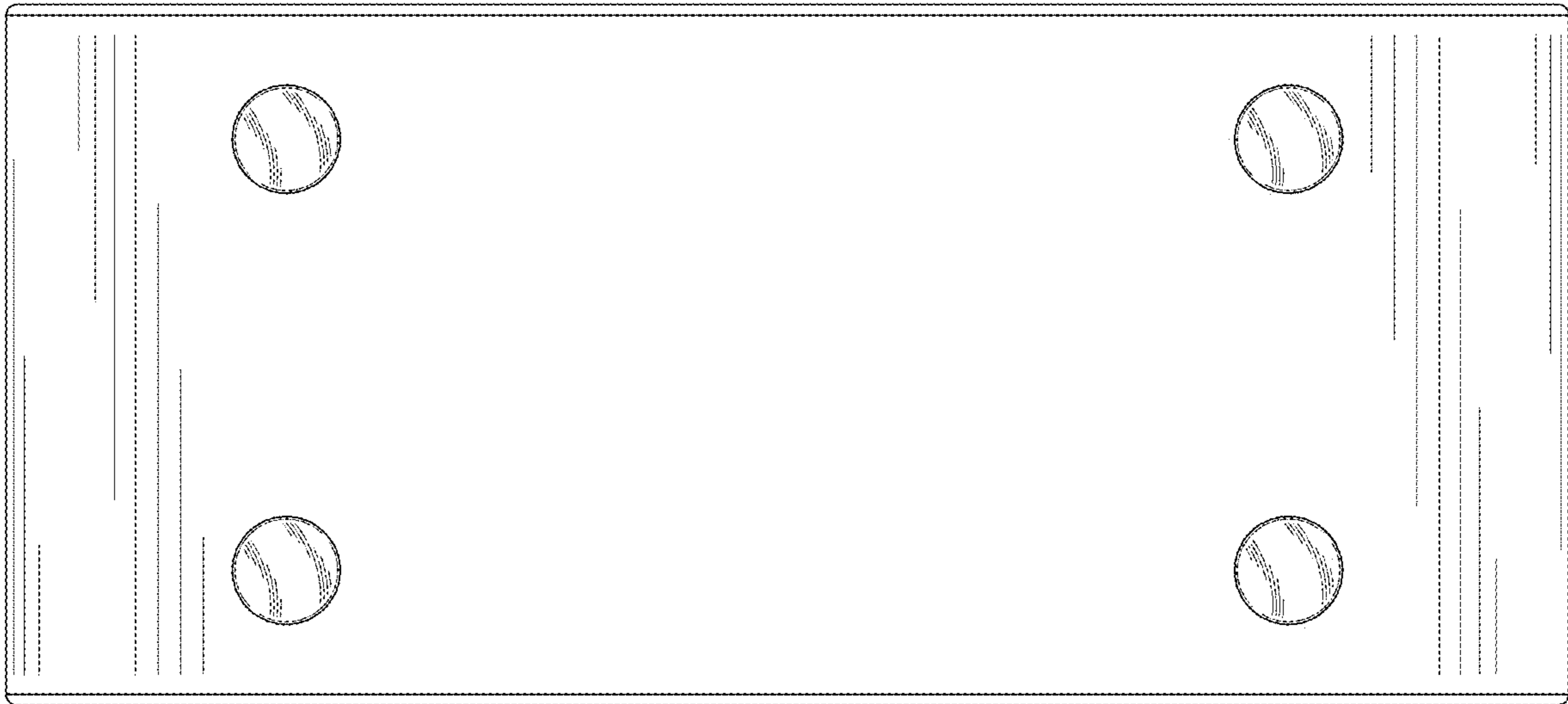


FIG. 8

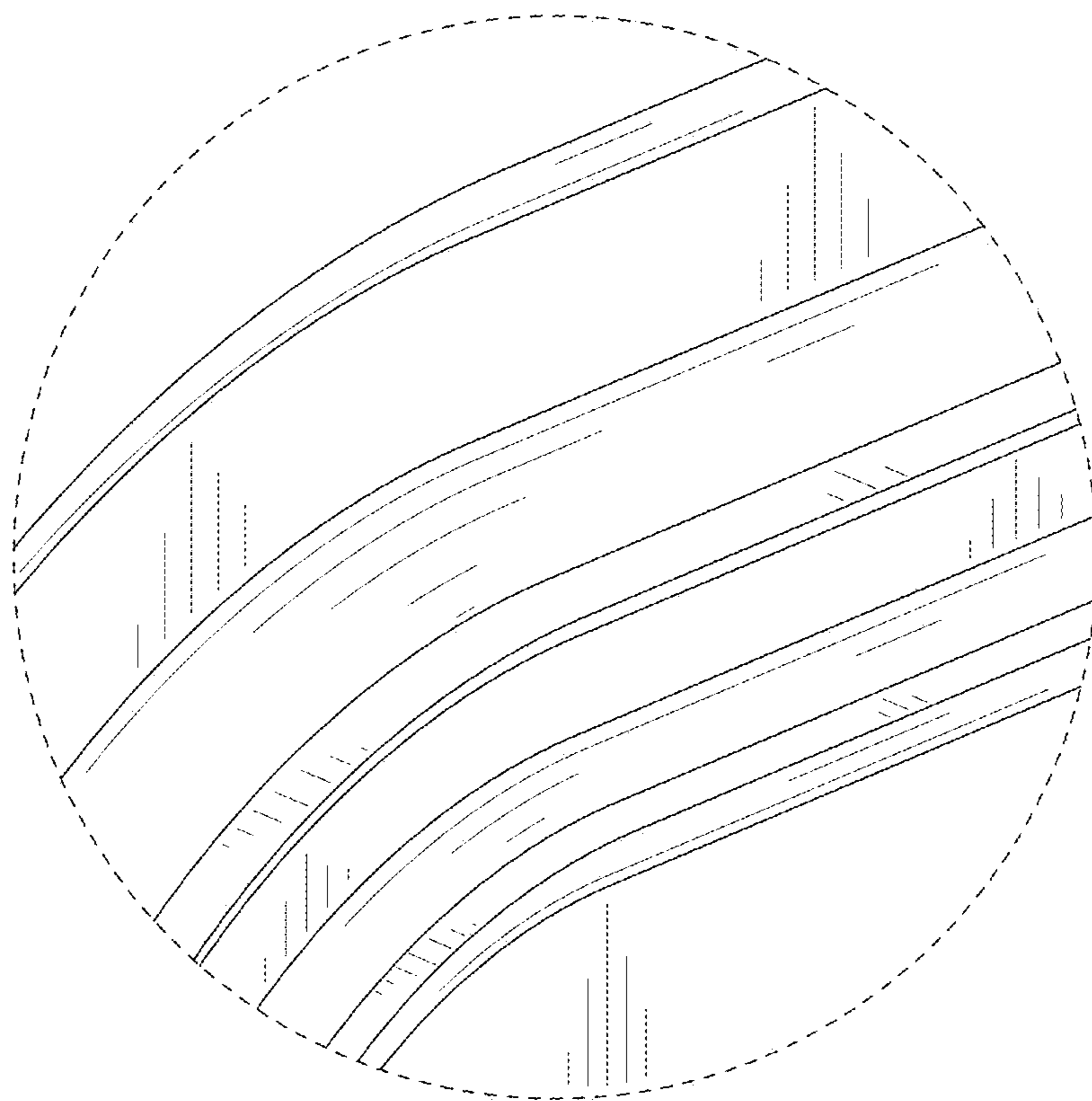


FIG. 9

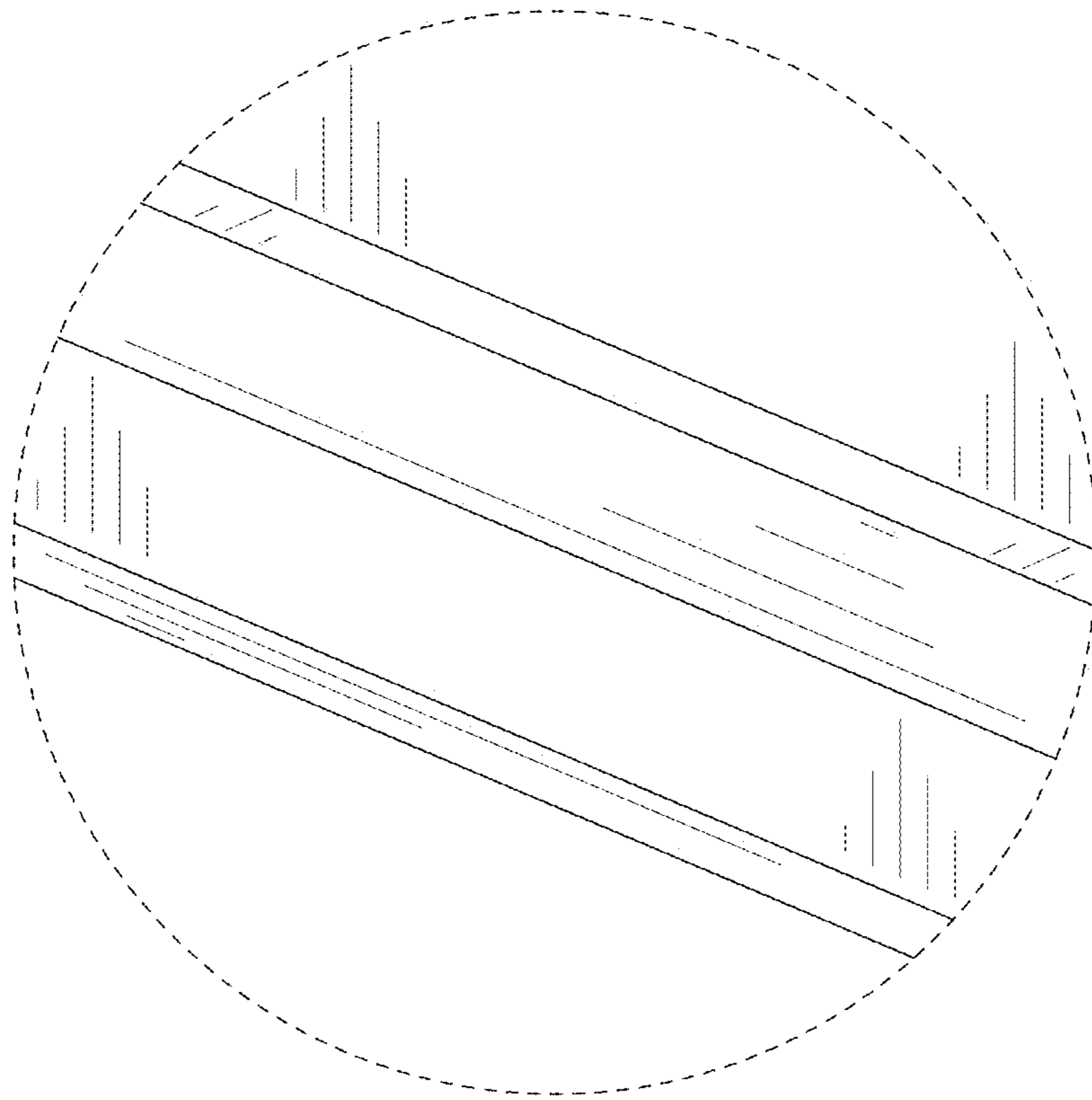


FIG. 10