



US00D978107S

(12) **United States Design Patent** (10) **Patent No.:** **US D978,107 S**
Xu (45) **Date of Patent:** **** Feb. 14, 2023**

(54) **LANTERN SPEAKER**

(71) Applicant: **Bin Xu**, Shenzhen (CN)

(72) Inventor: **Bin Xu**, Shenzhen (CN)

(**) Term: **15 Years**

(21) Appl. No.: **29/754,980**

(22) Filed: **Oct. 16, 2020**

(51) **LOC (14) Cl.** **14-01**

(52) **U.S. Cl.**
USPC **D14/207**

(58) **Field of Classification Search**

USPC D14/240, 204, 207, 358, 216, 300, 169,
D14/172; D26/104, 37, 49, 40, 42, 67,
D26/51, 52, 41, 63; D8/373

CPC H04R 1/02; H04R 1/021; H04R 1/025;
H04R 1/026; H04R 3/00

See application file for complete search history.

(56) **References Cited**

U.S. PATENT DOCUMENTS

D377,600	S	*	1/1997	Sacks	D8/373
D498,319	S	*	11/2004	Poon	D26/40
D518,211	S	*	3/2006	Krieger	D26/40
D520,163	S	*	5/2006	Krieger	D26/40
D542,953	S	*	5/2007	Lee	D26/40
D563,584	S	*	3/2008	Lee	D26/85
D621,536	S	*	8/2010	Lee	D26/41
D694,445	S	*	11/2013	Shiu	D26/40
D768,626	S	*	10/2016	Mikelson	D14/300
D769,843	S	*	10/2016	Sadhvani	D14/207
D803,443	S	*	11/2017	Burke	D26/40
D813,213	S	*	3/2018	Honda	D14/240

D823,506	S	*	7/2018	Shiu	D26/40
10,132,491	B2	*	11/2018	Wijaya	F21V 33/0056
D840,967	S	*	2/2019	Pestl	D14/204
D944,429	S	*	2/2022	Shi	D26/41
D946,802	S	*	3/2022	Wijaya	D14/204
D955,025	S	*	6/2022	Luo	D26/40

OTHER PUBLICATIONS

[Ortizan Outdoor Bluetooth Speaker], available in Amazon.com, date first available Dec. 17, 2020 [online], [site visited Nov. 7, 2022], Available from the internet URL: <https://www.amazon.com/Ortizan-Bluetooth-Speakers-Waterproof-Wireless/dp/B08QV3MR78> (Year: 2020).*

* cited by examiner

Primary Examiner — Khawaja Anwar
Assistant Examiner — Megan Tiana Rakos

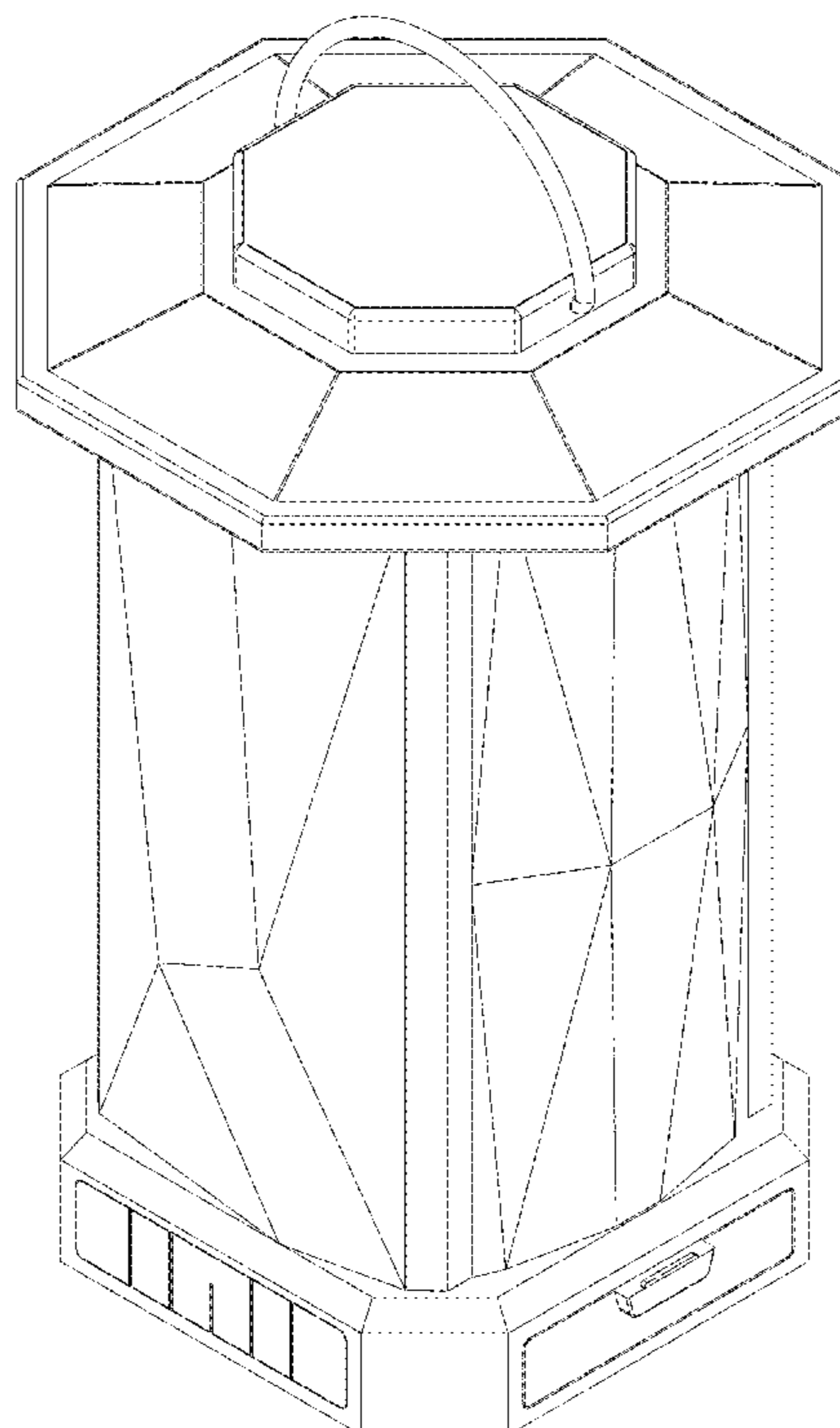
(57) **CLAIM**

The ornamental design for a lantern speaker, as shown and described.

DESCRIPTION

FIG. 1 is a front, top perspective view of the lantern speaker showing my new design;
FIG. 2 is a rear, bottom perspective view thereof;
FIG. 3 is a front elevational view thereof;
FIG. 4 is a rear elevational view thereof;
FIG. 5 is a left side elevational view thereof;
FIG. 6 is a right side elevational view thereof;
FIG. 7 is a top plan view thereof; and,
FIG. 8 is a bottom plan view thereof.

1 Claim, 8 Drawing Sheets



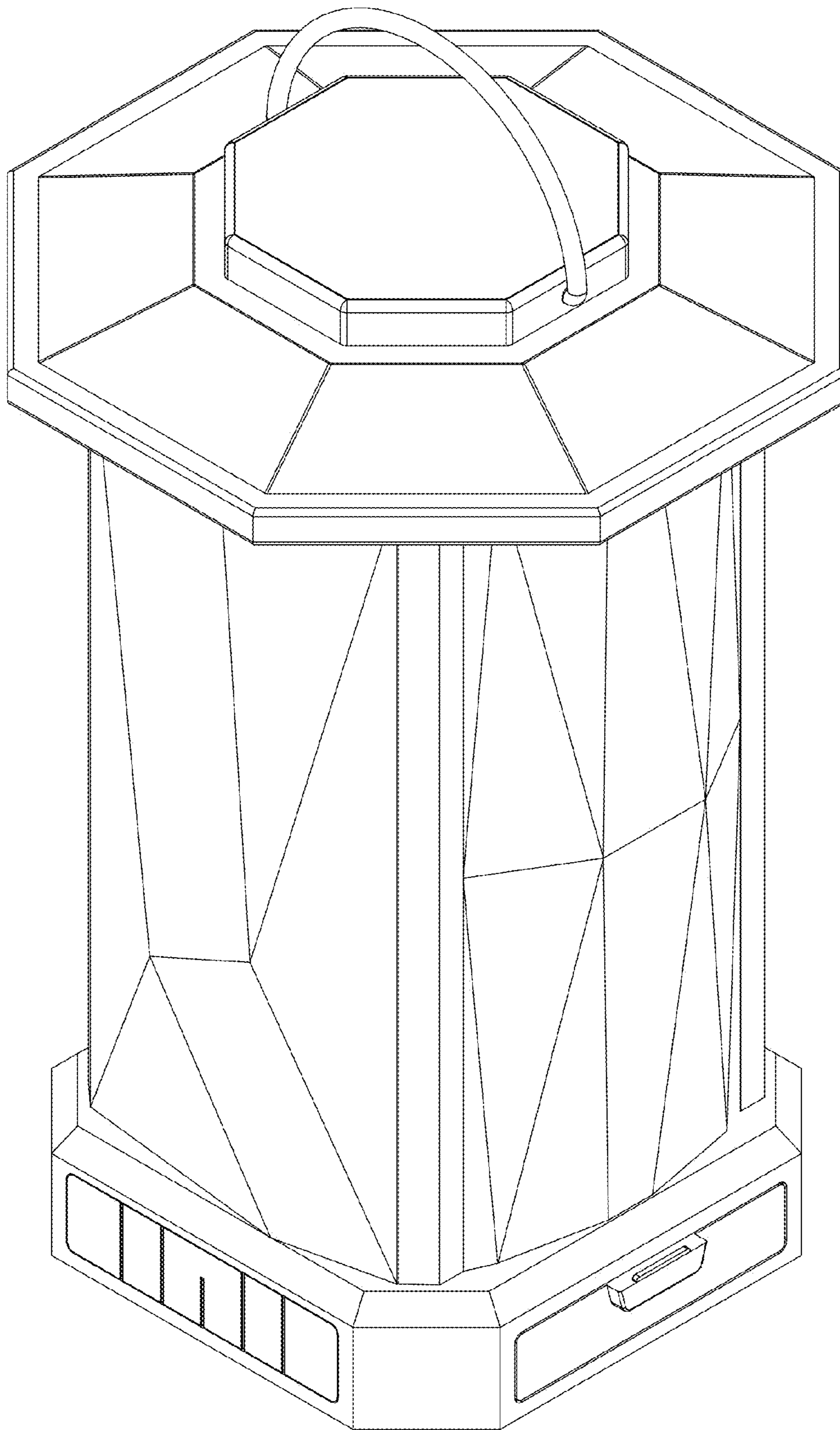


FIG. 1

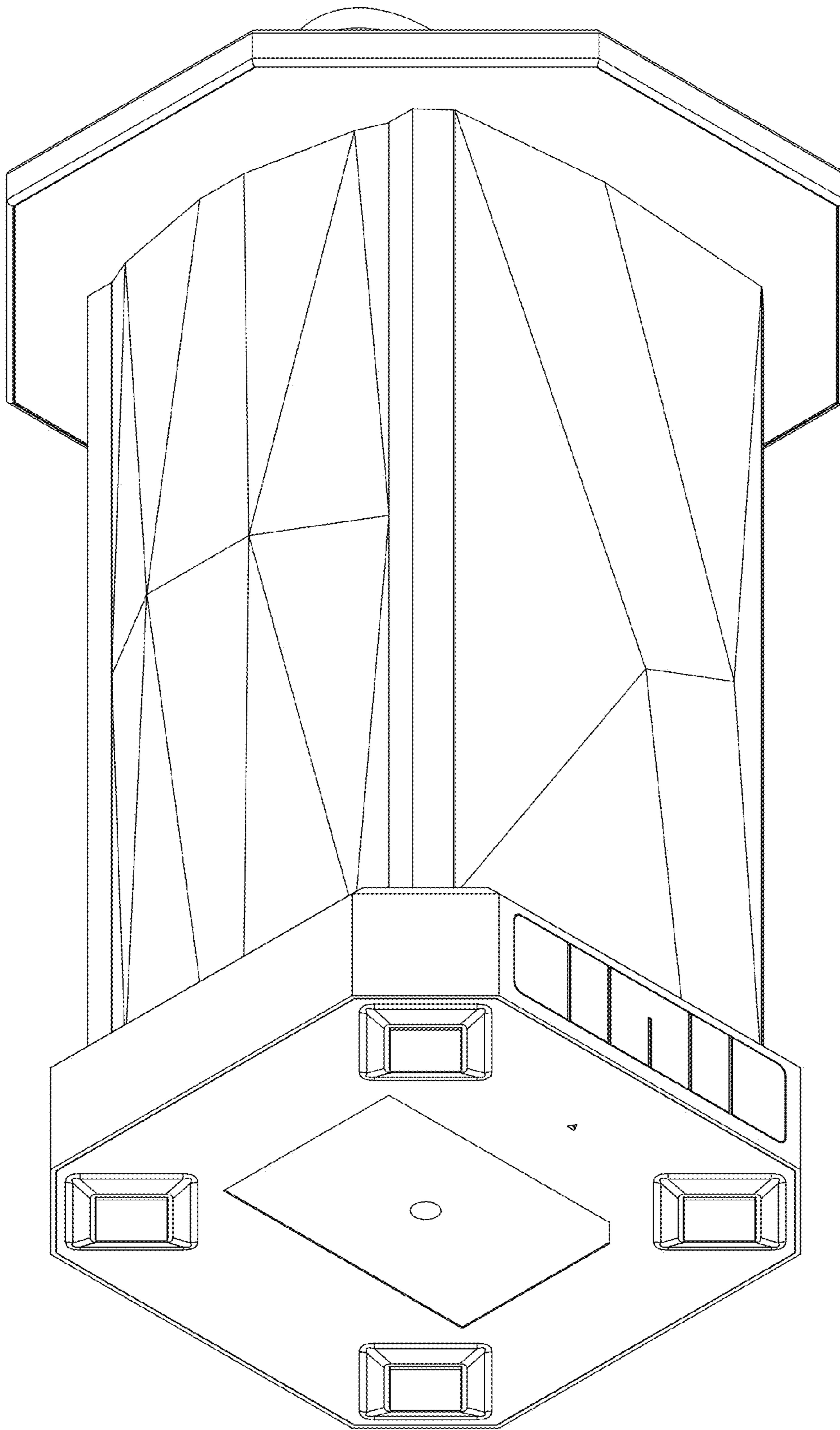


FIG. 2

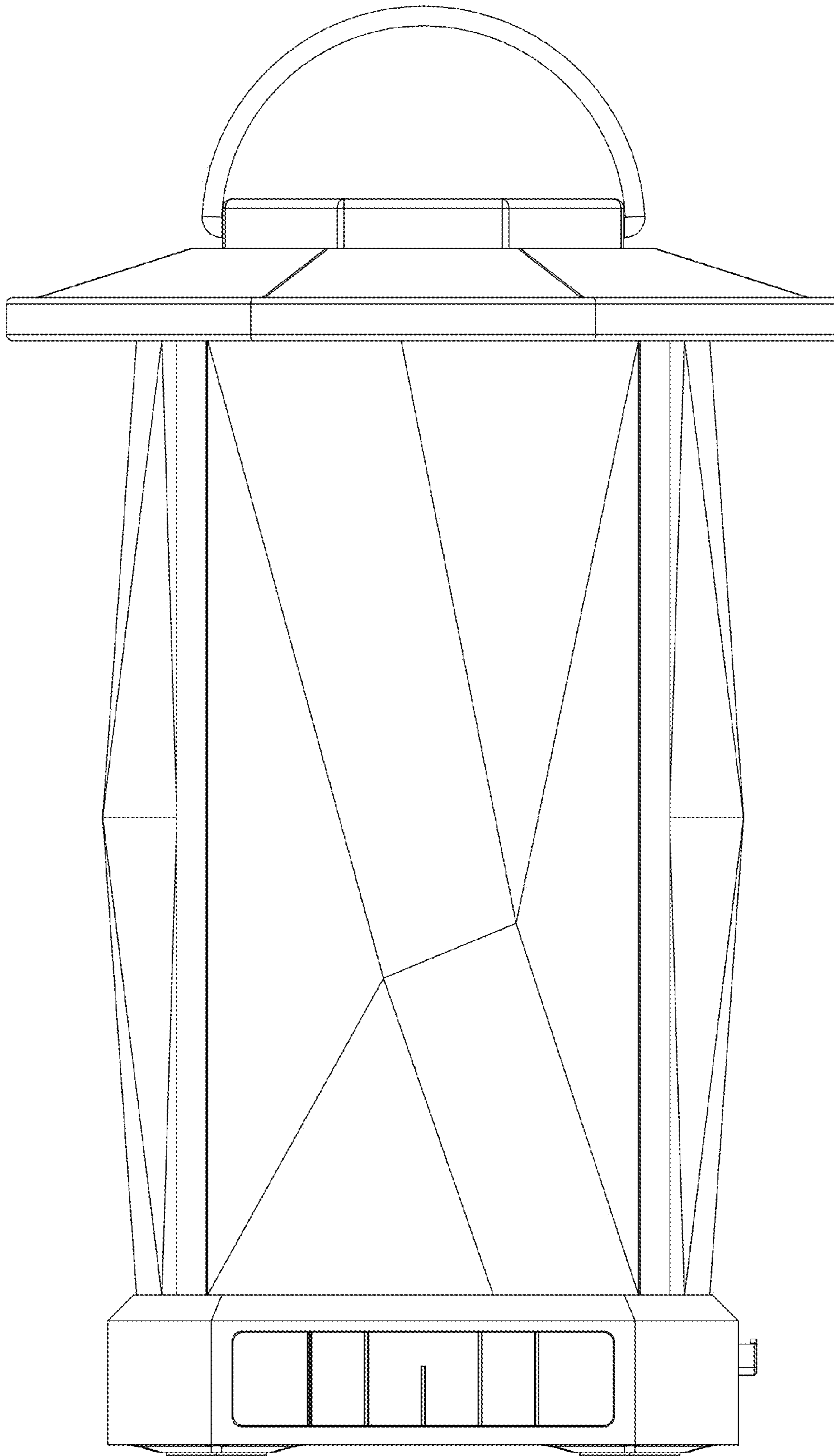


FIG. 3

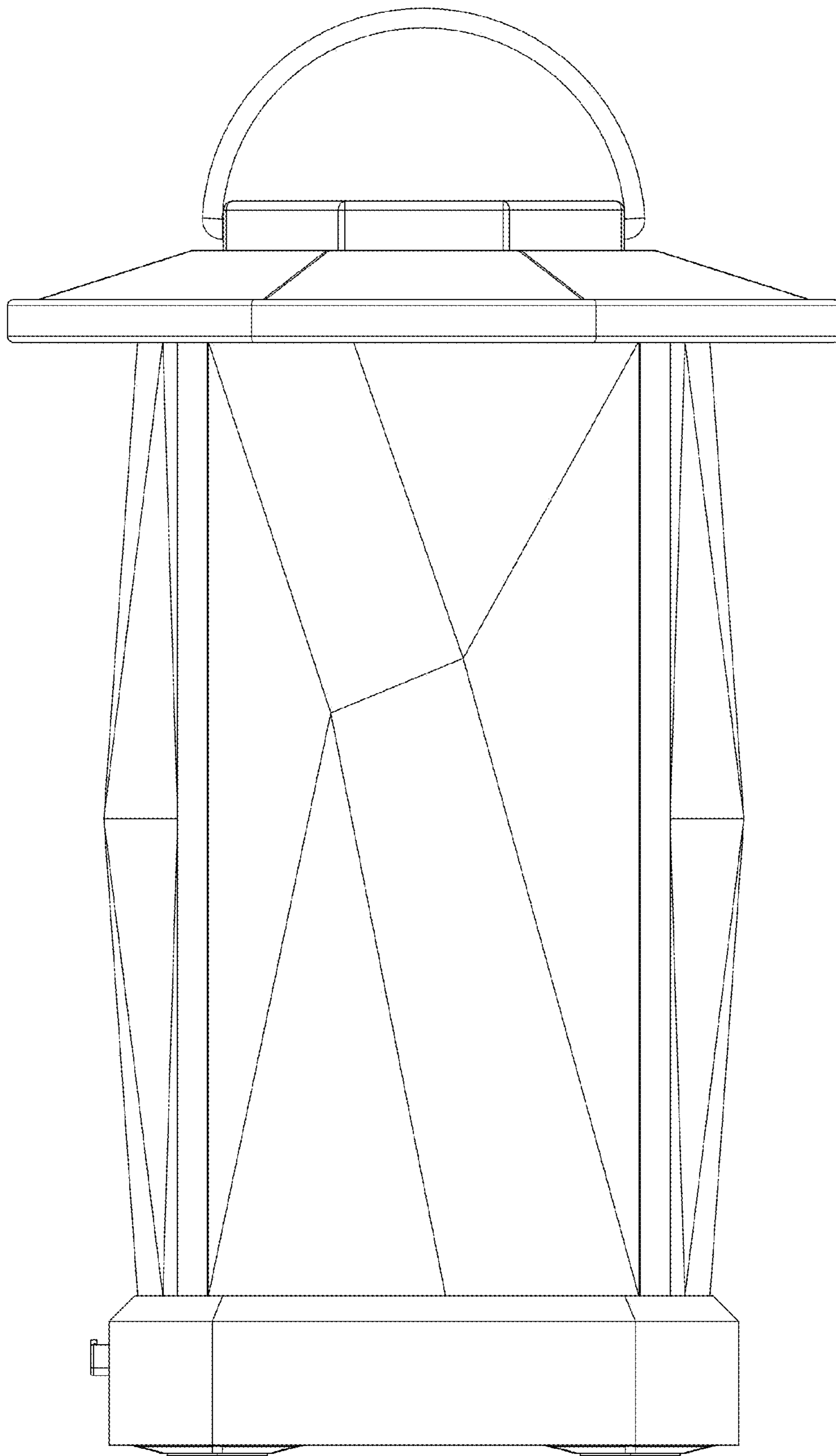


FIG. 4

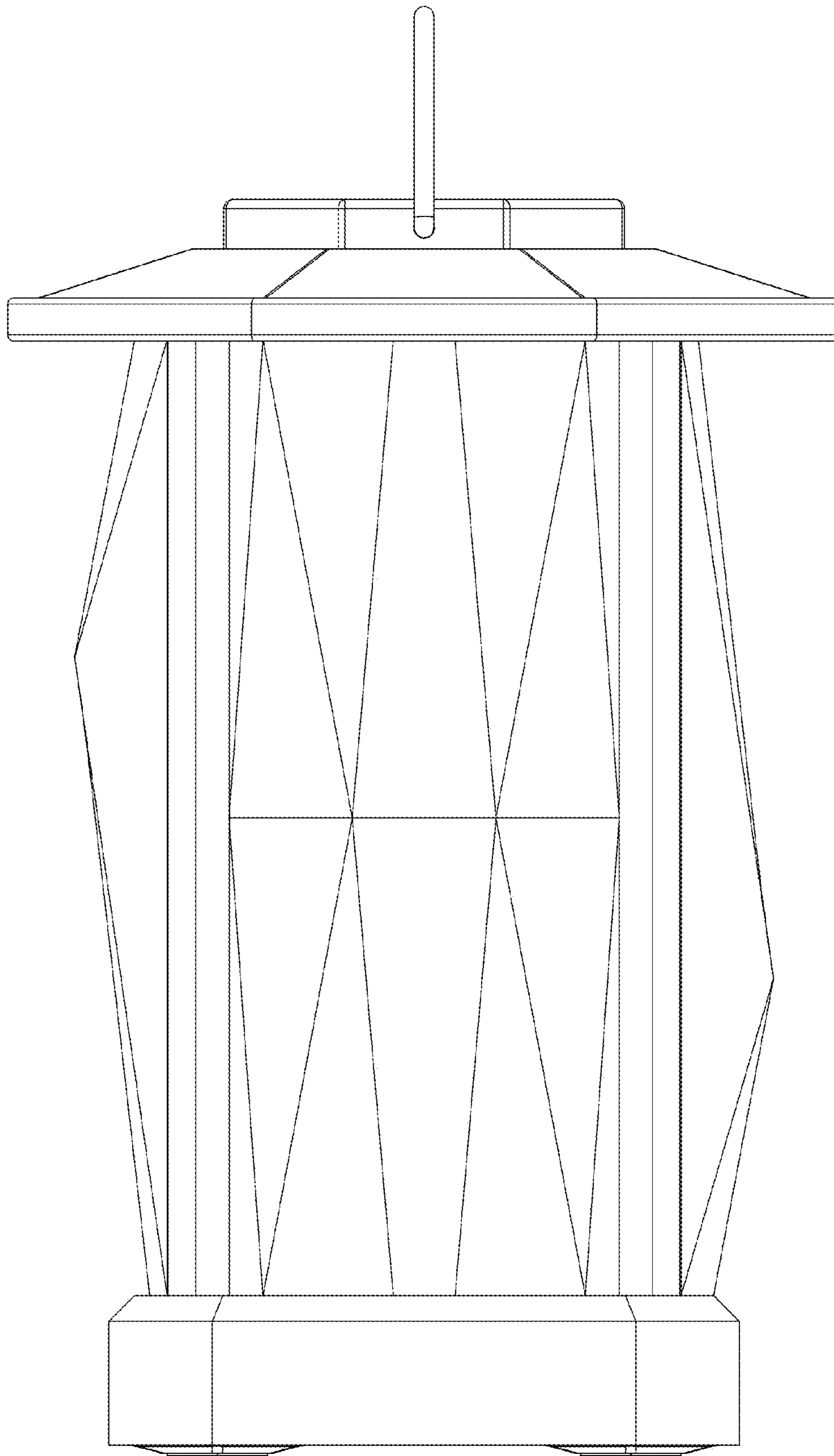


FIG. 5

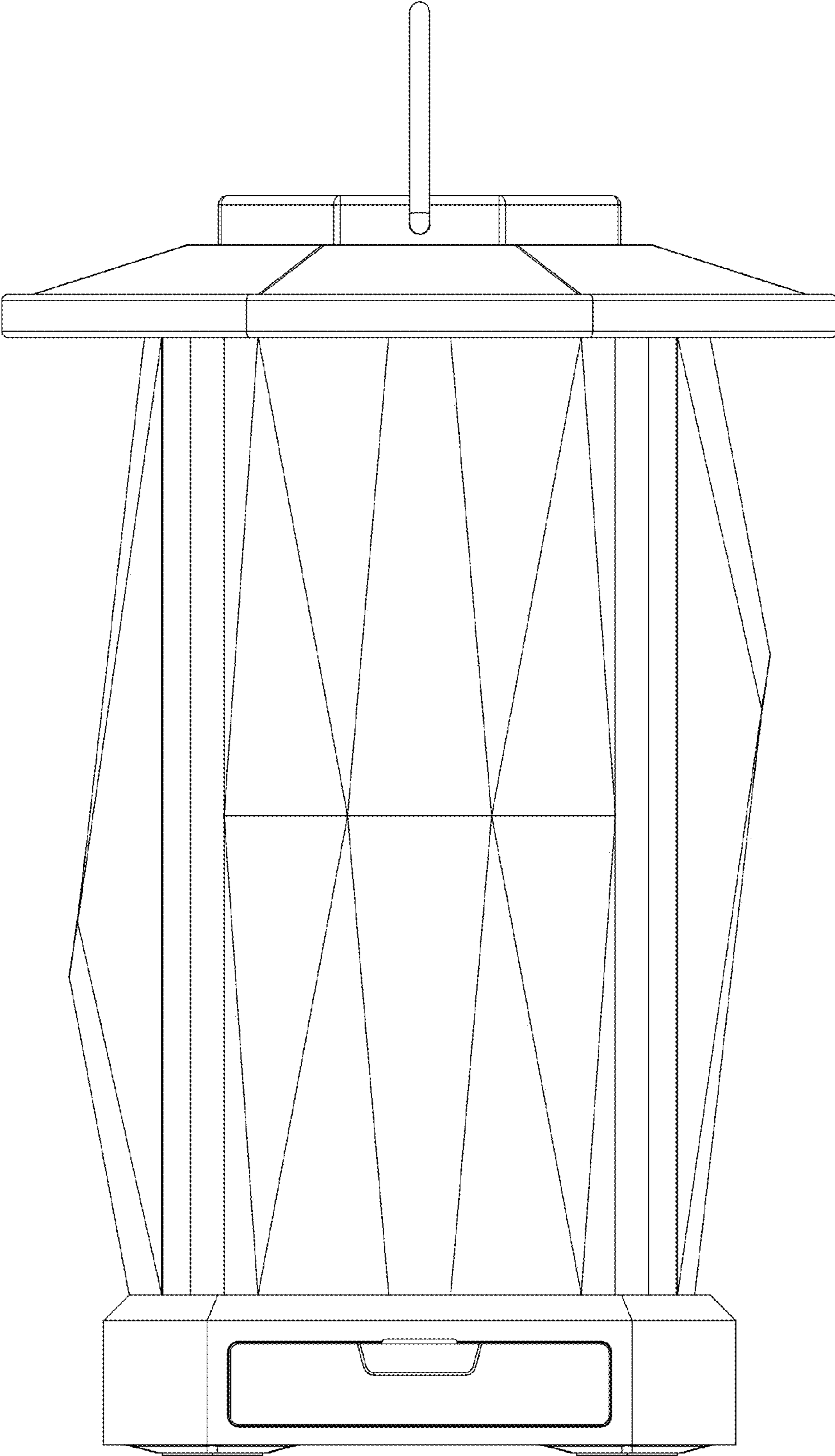


FIG. 6

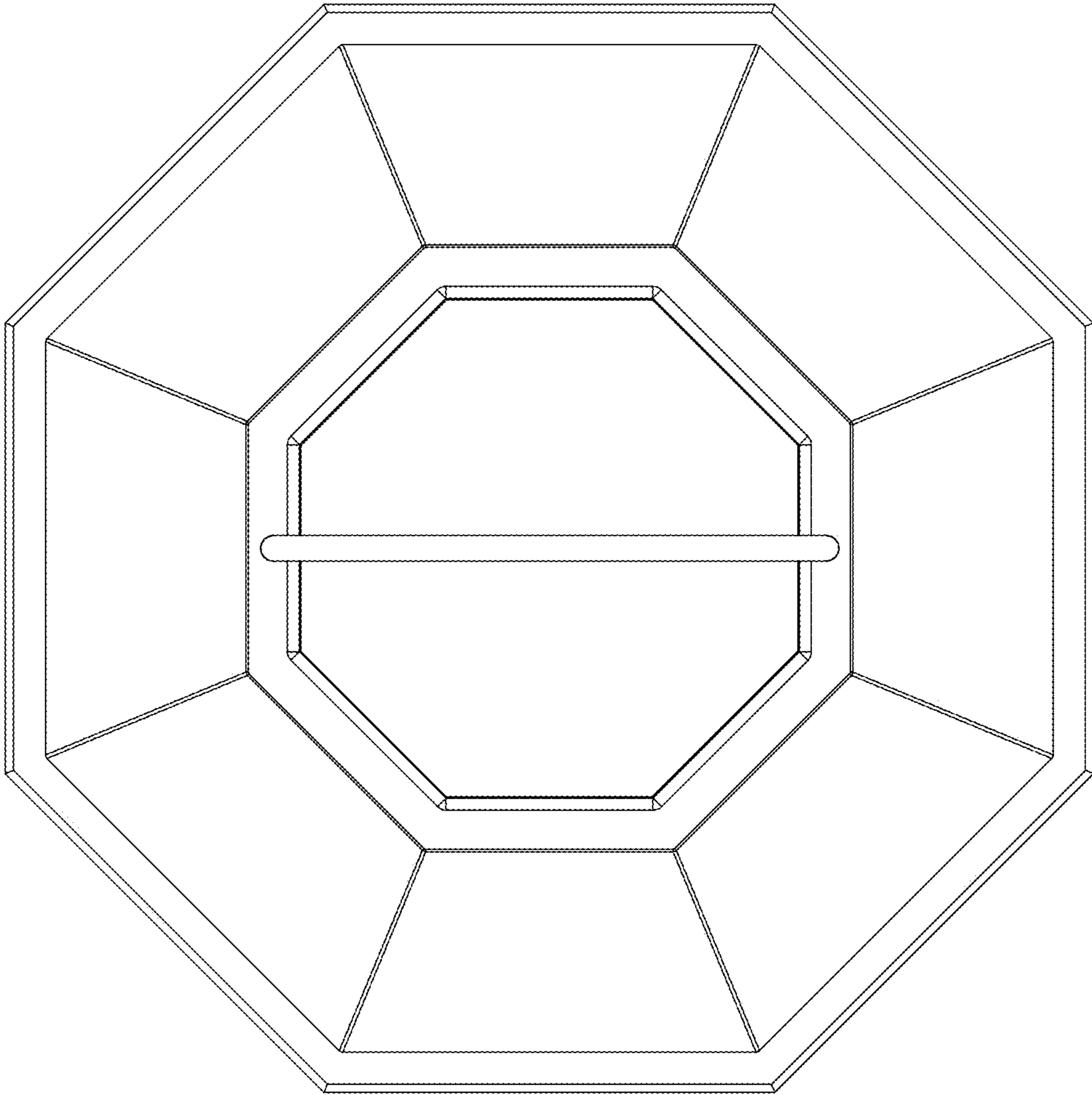


FIG. 7

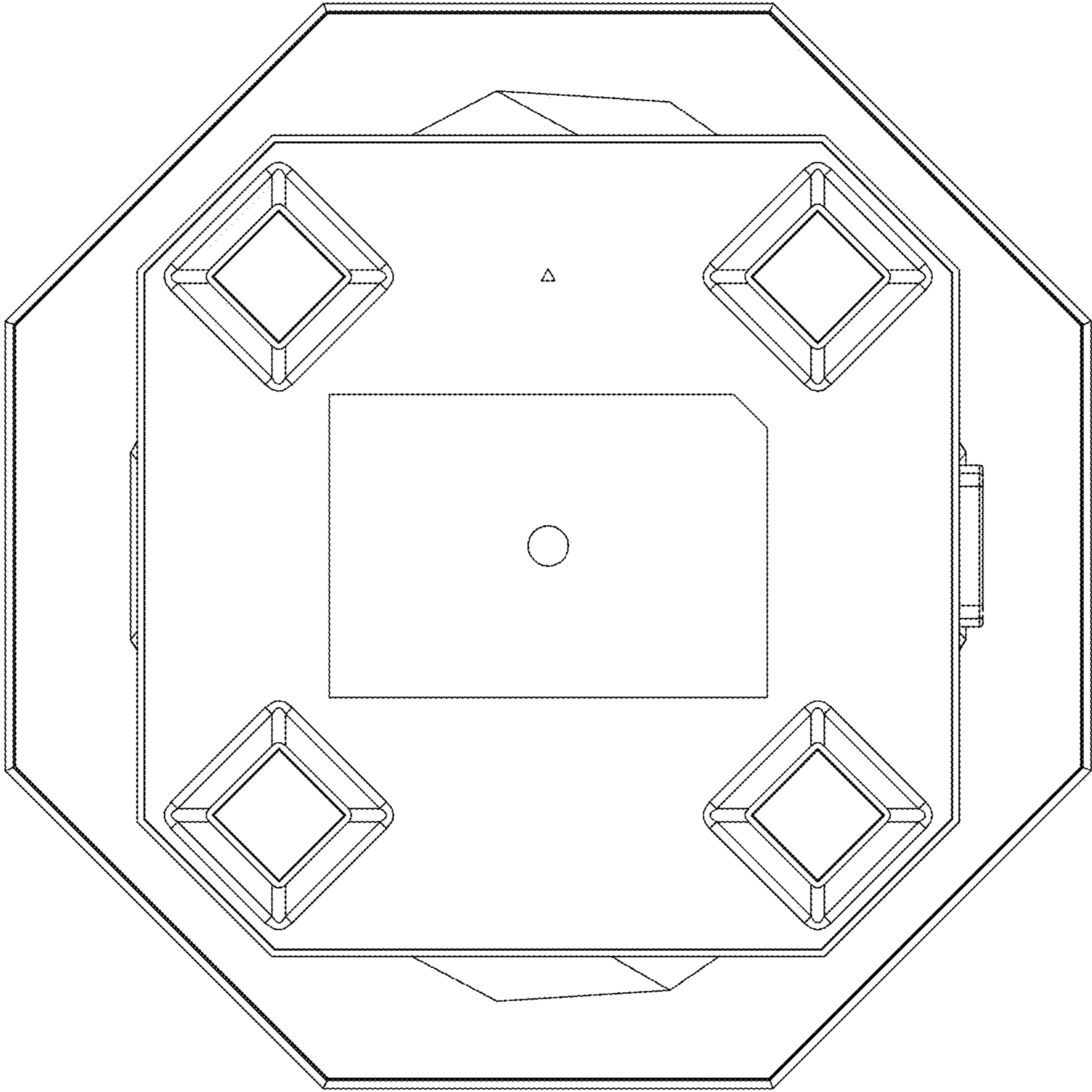


FIG. 8