



US00D978101S

(12) **United States Design Patent**  
**Liu et al.**

(10) **Patent No.: US D978,101 S**  
(45) **Date of Patent: \*\* Feb. 14, 2023**

(54) **MOBILE PHONE**

D890,112 S \* 7/2020 Park ..... D14/138 G  
D897,980 S \* 10/2020 Wu ..... D14/138 G

(71) Applicant: **OnePlus Technology (Shenzhen) Co., Ltd.**, Shenzhen (CN)

(Continued)

(72) Inventors: **Haoran Liu**, Shenzhen (CN);  
**Shengming Li**, Shenzhen (CN);  
**Yizhong Fan**, Shenzhen (CN); **Bo Wei**,  
Shenzhen (CN); **Mingjie Tang**,  
Shenzhen (CN); **Huijian Ai**, Shenzhen  
(CN); **Sanliang Ruan**, Shenzhen (CN)

**OTHER PUBLICATIONS**

Oppo A52, announced Apr. 20, 2020, [online], [retrieved on Jul. 8, 2022]. Retrieved from Internet ,<URL: <http://www.gsmarena.com>>.\*

(Continued)

(73) Assignee: **ONEPLUS TECHNOLOGY (SHENZHEN) CO., LTD.**, Shenzhen (CN)

*Primary Examiner* — Bridget L Eland

(74) *Attorney, Agent, or Firm* — Hodgson Russ LLP

(\*\*) Term: **15 Years**

(57) **CLAIM**

(21) Appl. No.: **29/775,073**

The ornamental design for a mobile phone, as shown and described.

(22) Filed: **Mar. 21, 2021**

(30) **Foreign Application Priority Data**

**DESCRIPTION**

Nov. 16, 2020 (CN) ..... 202030693122.X

(51) **LOC (14) Cl.** ..... **14-03**

(52) **U.S. Cl.**  
USPC ..... **D14/138 G**

(58) **Field of Classification Search**  
USPC ..... D14/138 G, 248, 138 C, 138 AB, 341,  
D14/439, 432, 345, 138 R, 138 AA,  
D14/138 AC, 138 AD, 371, 374  
CPC ..... H04M 1/0202; H04M 1/0235; H04M  
1/0237; H04M 1/0239; H04M 1/0266;  
H04M 1/0268; H04M 1/027; H04M  
1/0295; H04M 1/02; H04M 1/0279;  
H04M 1/0283

See application file for complete search history.

FIG. 1 is a perspective view of a mobile phone showing our design;  
FIG. 2 is another perspective view thereof;  
FIG. 3 is a front elevation view thereof;  
FIG. 4 is a rear elevation view thereof;  
FIG. 5 is a left side elevation view thereof;  
FIG. 6 is a right side elevation view thereof;  
FIG. 7 is an enlarged top plan view thereof;  
FIG. 8 is an enlarged bottom plan view thereof; and,  
FIG. 9 is an enlarged view of area 9 circumscribed in FIG. 2.

The evenly dashed broken lines in the drawings show portions of the mobile phone that form no part of the claimed design.

The long dash-short dash broken lines are imaginary lines that are included for reference purposes only to identify the enlarged views; the long dash-short dash broken lines form no part of the claimed design.

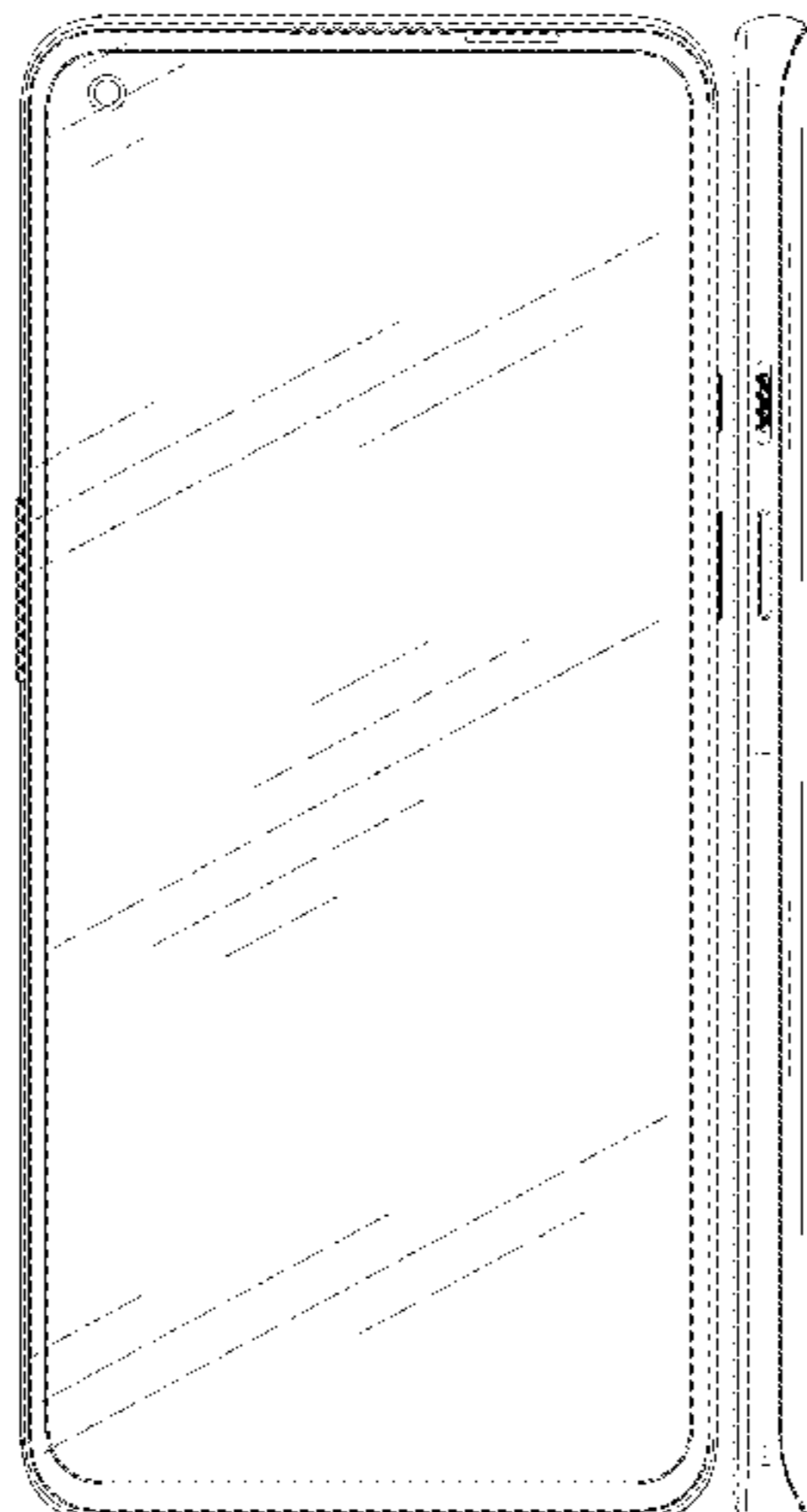
The oblique shade lines in the drawings show transparency.

(56) **References Cited**

**U.S. PATENT DOCUMENTS**

D866,496 S \* 11/2019 Kim ..... D14/138 G  
D890,111 S \* 7/2020 Park ..... D14/138 G

**1 Claim, 9 Drawing Sheets**



(56)

**References Cited**

U.S. PATENT DOCUMENTS

|          |   |   |         |       |       |         |   |
|----------|---|---|---------|-------|-------|---------|---|
| D897,981 | S | * | 10/2020 | Kim   | ..... | D14/138 | G |
| D900,779 | S | * | 11/2020 | Gu    | ..... | D14/138 | G |
| D901,421 | S | * | 11/2020 | Hu    | ..... | D14/138 | G |
| D908,104 | S | * | 1/2021  | Zhang | ..... | D14/138 | G |
| D916,672 | S | * | 4/2021  | Seo   | ..... | D14/138 | G |
| D916,675 | S | * | 4/2021  | Seo   | ..... | D14/138 | G |
| D922,975 | S | * | 6/2021  | Kim   | ..... | D14/138 | G |
| D922,976 | S | * | 6/2021  | Kim   | ..... | D14/138 | G |
| D924,191 | S | * | 7/2021  | Seo   | ..... | D14/138 | G |
| D929,356 | S | * | 8/2021  | Kim   | ..... | D14/138 | G |
| D931,249 | S | * | 9/2021  | Kim   | ..... | D14/138 | G |
| D933,052 | S | * | 10/2021 | Park  | ..... | D14/248 |   |
| D940,093 | S | * | 1/2022  | Park  | ..... | D14/138 | G |
| D942,437 | S | * | 2/2022  | Wang  | ..... | D14/248 |   |
| D949,121 | S | * | 4/2022  | Doi   | ..... | D14/138 | G |
| D950,511 | S | * | 5/2022  | Kwon  | ..... | D14/138 | G |
| D951,897 | S | * | 5/2022  | Ha    | ..... | D14/138 | G |
| D954,670 | S | * | 6/2022  | Lee   | ..... | D14/138 | G |
| D955,372 | S | * | 6/2022  | Wang  | ..... | D14/248 |   |
| D957,375 | S | * | 7/2022  | Seo   | ..... | D14/248 |   |

OTHER PUBLICATIONS

Oppo A33 (2020), announced Sep. 28, 2020, [online], [retrieved on Jul. 8, 2022]. Retrieved from Internet ,<URL: <http://www.gsmarena.com>>.\*

\* cited by examiner

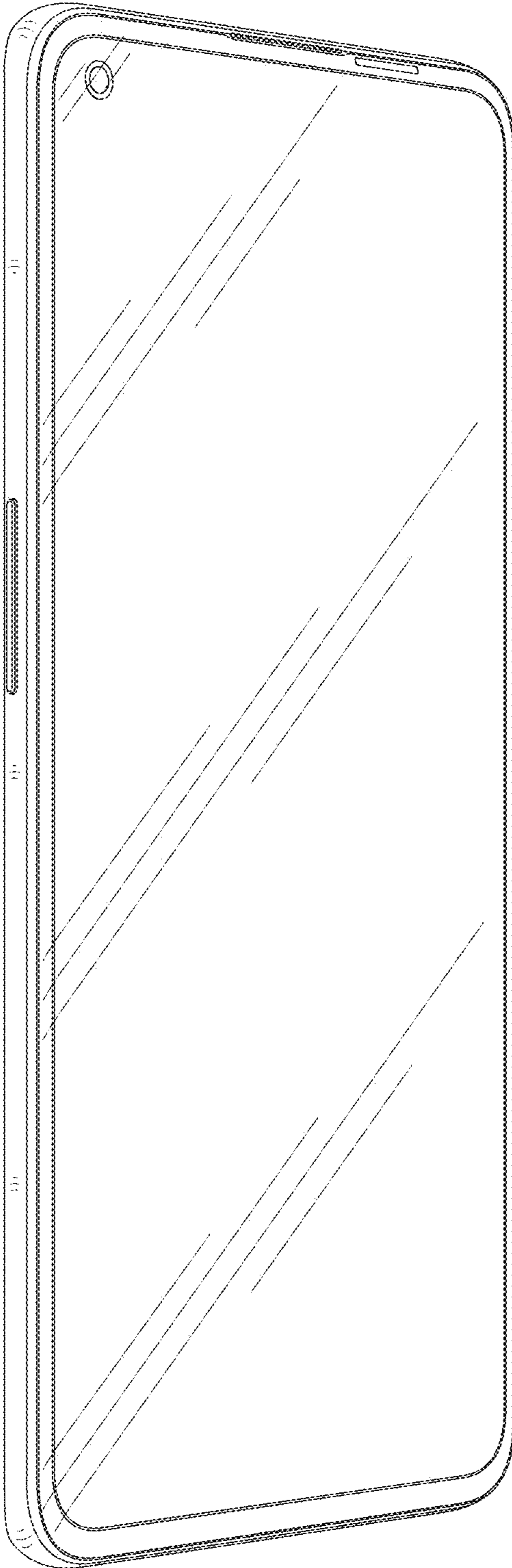


FIG. 1

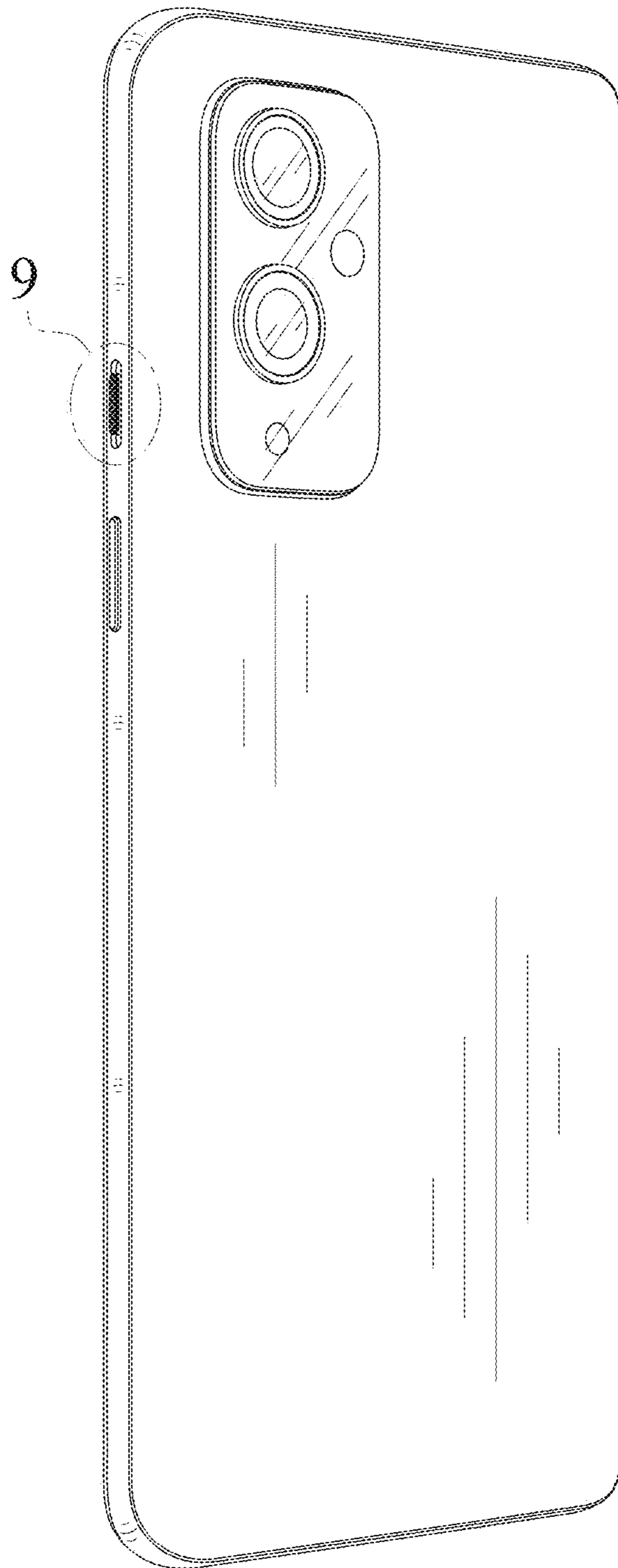


FIG. 2

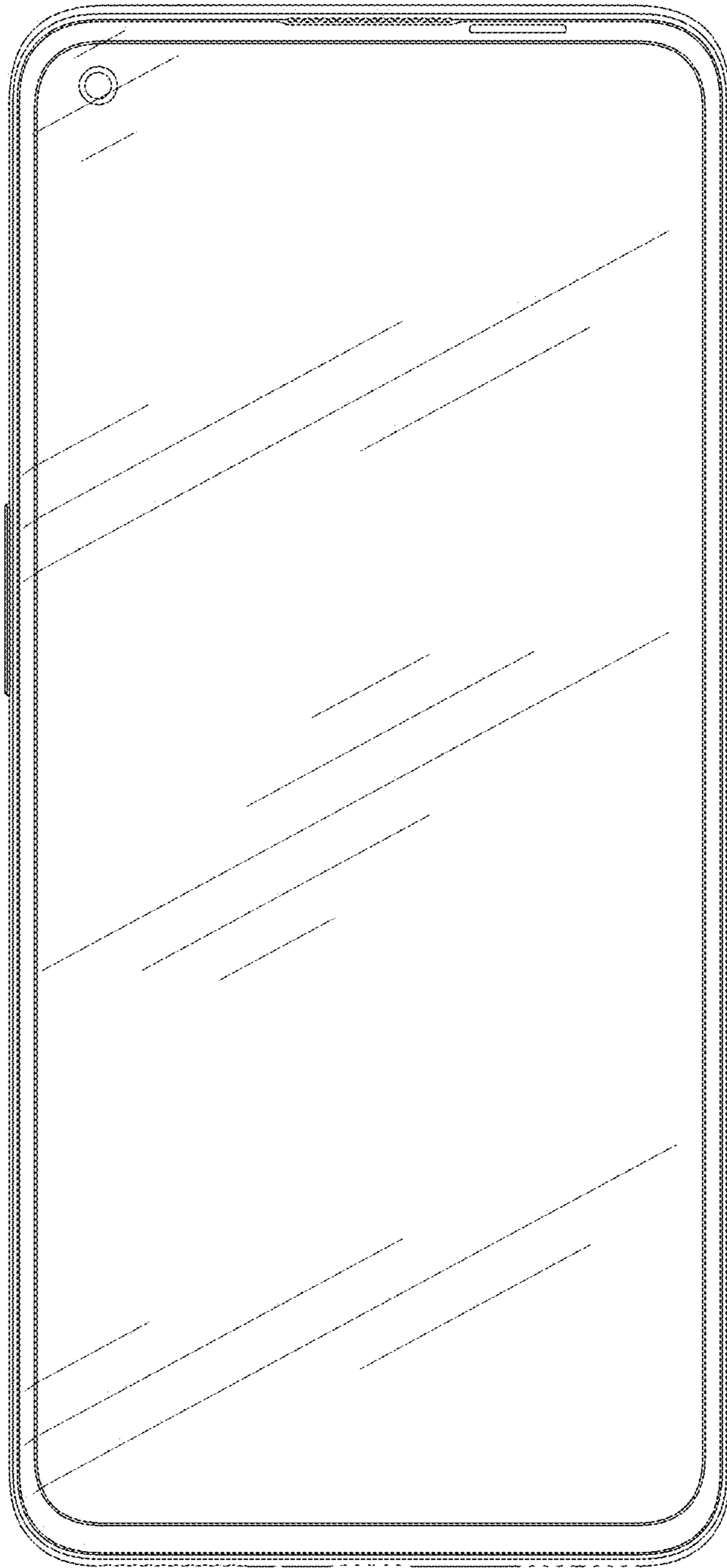


FIG. 3



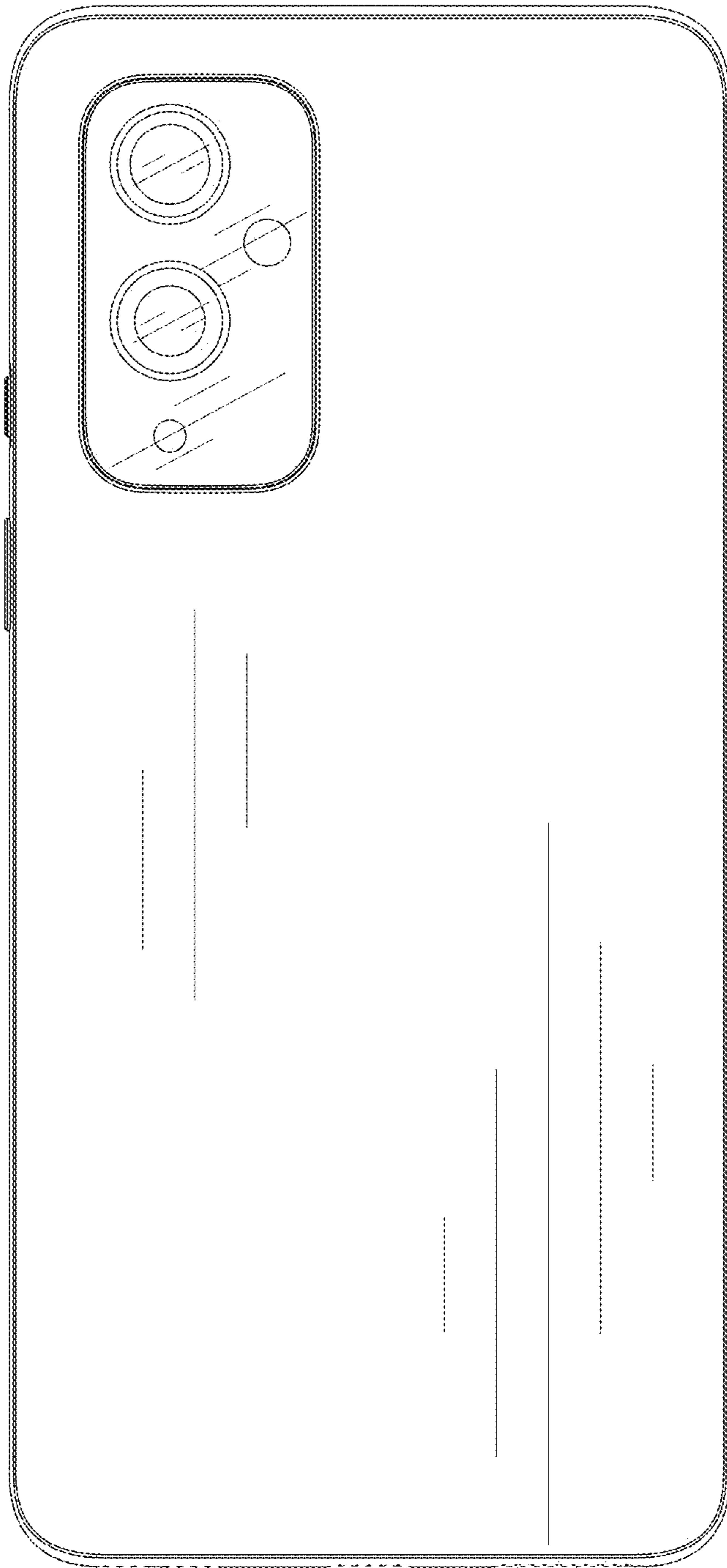


FIG. 4

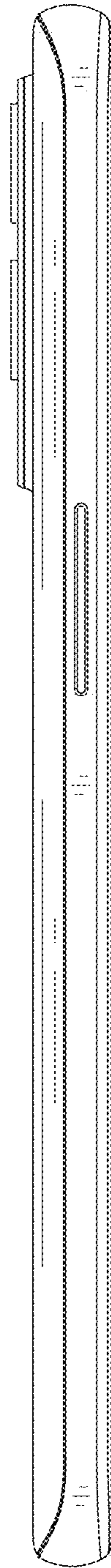


FIG. 5

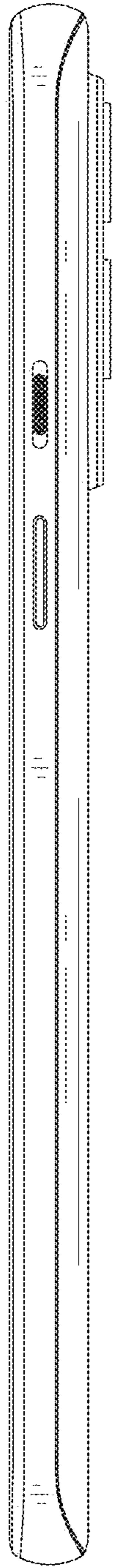


FIG. 6



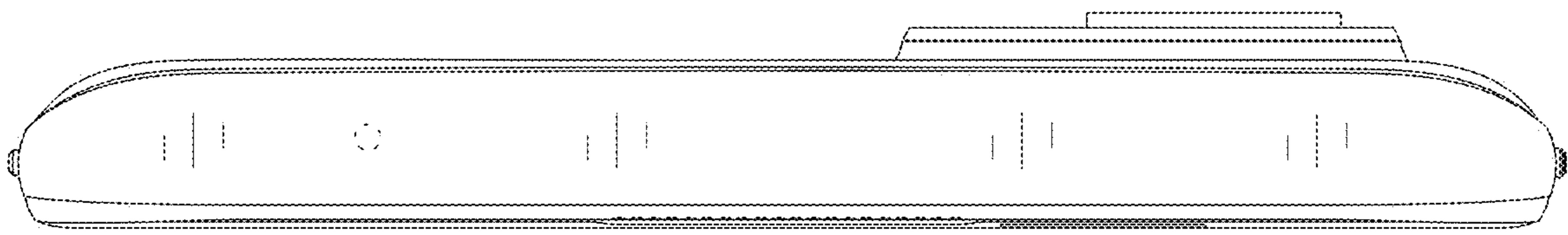


FIG. 7

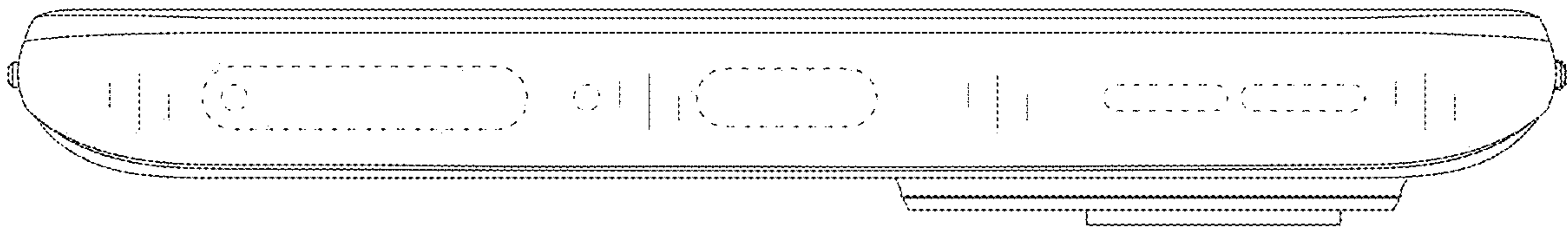


FIG. 8

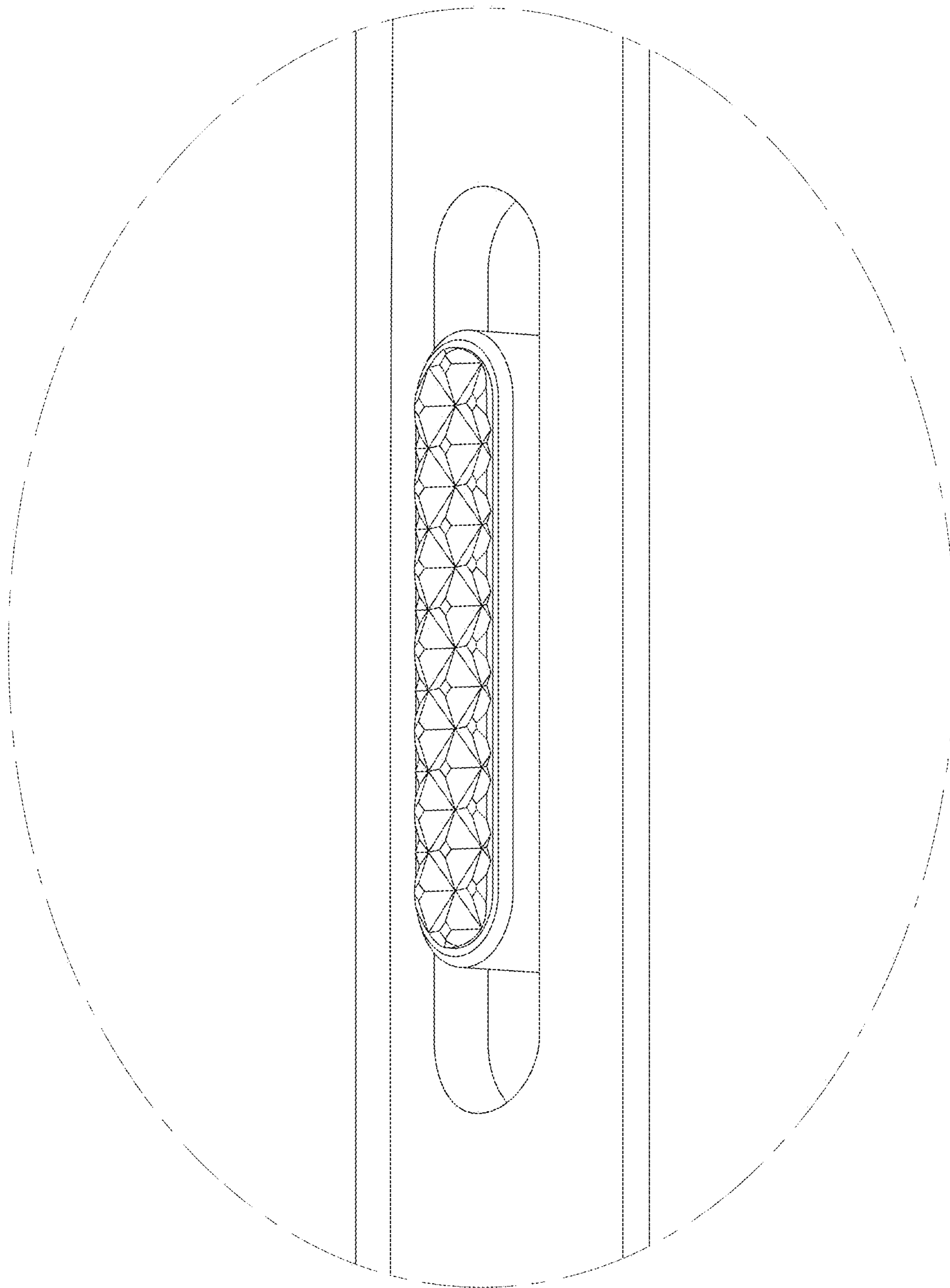


FIG. 9