



US00D978100S

(12) **United States Design Patent**  
**Nishizawa**

(10) **Patent No.:** **US D978,100 S**  
(45) **Date of Patent:** **\*\* Feb. 14, 2023**

(54) **RADIO COMMUNICATION DEVICE**

**OTHER PUBLICATIONS**

(71) Applicant: **ICOM INCORPORATED**, Osaka (JP)

(72) Inventor: **Haruki Nishizawa**, Osaka (JP)

(73) Assignee: **ICOM INCORPORATED**, Osaka (JP)

(\*\*) Term: **15 Years**

(21) Appl. No.: **29/773,174**

(22) Filed: **Mar. 8, 2021**

(30) **Foreign Application Priority Data**

Sep. 9, 2020 (JP) ..... 2020-019280 D

(51) **LOC (14) Cl.** ..... **14-03**

(52) **U.S. Cl.**  
USPC ..... **D14/137; D14/157; D14/188**

(58) **Field of Classification Search**  
USPC ..... D14/137, 157, 188; D16/200–255;  
D18/11, 36–43, 99

CPC ..... H04B 1/082; H04B 1/086; B60R 11/02;  
B60R 11/0258

See application file for complete search history.

(56) **References Cited**

**U.S. PATENT DOCUMENTS**

D615,525 S *	5/2010	Emge	.....	D14/137
D771,618 S *	11/2016	Nishida	.....	D14/258
D874,424 S *	2/2020	Nakagawa	.....	D14/157
D886,095 S *	6/2020	Nakagawa	.....	D14/137
D948,465 S *	4/2022	Nishida	.....	D14/137
2013/0217351 A1 *	8/2013	Jarvinen	.....	H04B 1/086 455/230

**FOREIGN PATENT DOCUMENTS**

JP	D1495156	*	3/2014
JP	D1495156	*	4/2014
JP	305265361	*	7/2019
JP	D1679828	*	2/2021

West Marine M510 Class-D DSC VHF Marine Transceiver, earliest pictured Dec. 29, 2021,[online],[site visited Oct. 18, 2022]. Available via Internet, (Year: 2021).\*  
<URL:https://https://www.westmarine.com/icom-m510-class-d-dsc-vhf-marine-transceiver-with-wireless-lan-function-20396263.html?gclid=EAIaIQobChMI24ed4-Hq-glVFZXICH1FxwtKEAQYAyABEglRyfD\_BwE> (Year: 2021).\*  
Yachting Magazine “Icom Offers Remote Radio Control from Mobile Devices”, David Schmidt, published Jan. 24, 2022,[online],[site visited Oct. 18, 2022]. Available via Internet,<URL:https://www.yachtingmagazine.com/electronics/trends-icom-m510-vhf-smartphon/> (Year: 2022).\*

(Continued)

*Primary Examiner* — Sanjeev Paul

*Assistant Examiner* — Breana Copeland

(74) *Attorney, Agent, or Firm* — Birch, Stewart, Kolasch & Birch, LLP

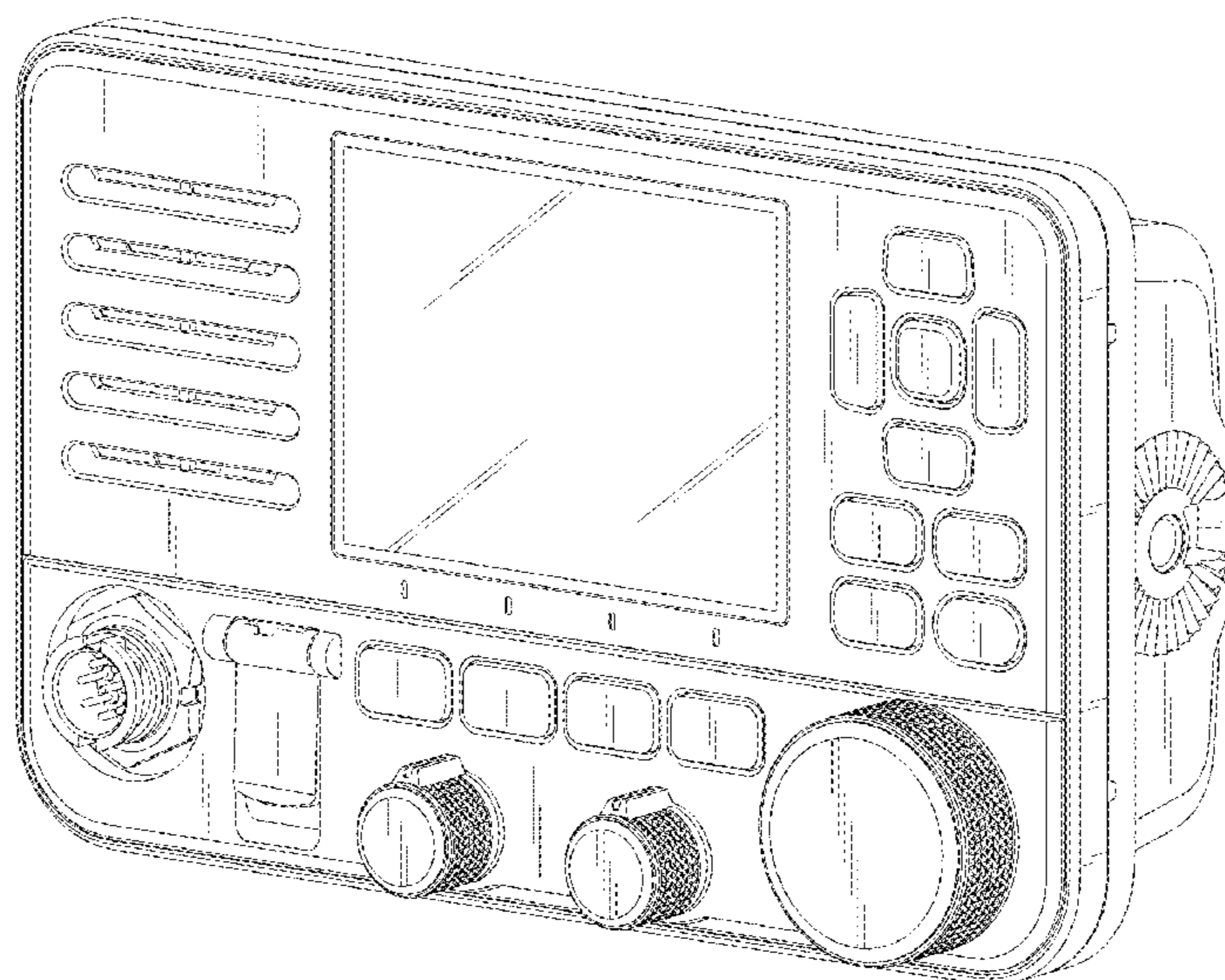
(57) **CLAIM**

The ornamental design for a radio communication device, as shown and described.

**DESCRIPTION**

FIG. 1 is a first perspective view of a radio communication device showing our new design;  
FIG. 2 is a second perspective view thereof;  
FIG. 3 is a front view thereof;  
FIG. 4 is a rear view thereof;  
FIG. 5 is a left side view thereof;  
FIG. 6 is a right side view thereof;  
FIG. 7 is a top view thereof; and,  
FIG. 8 is a bottom view thereof.

**1 Claim, 8 Drawing Sheets**



(56)

**References Cited**

OTHER PUBLICATIONS

Amazon Retevis RA27 Marine Radio, earliest pictured Sep. 3, 2020,[online],[site visited Oct. 18, 2022].Available via Internet,<URL:https://www.amazon.com/dp/B08HCTD795?ref\_cm\_sw\_r\_cp\_ud\_dp\_P18JS2DPGZDWGEBBKWSH> (Year: 2020).\*  
Google Search,[online],[site visited Oct. 24, 2022].Available via Internet,<URL:https://www.google.com/search?q=marine+fixed+radio&rlz=1C1GCEA\_enUS1001US1001&source=lnms&tbm=isch&sa=X&ved=2ahUKewj2pNz13fn6AhXRfIkFHTTaBH0Q\_AUoAXoECBEQAw&biw=2133&bih=1174&dpr=0.9> (Year: 2022).\*

\* cited by examiner

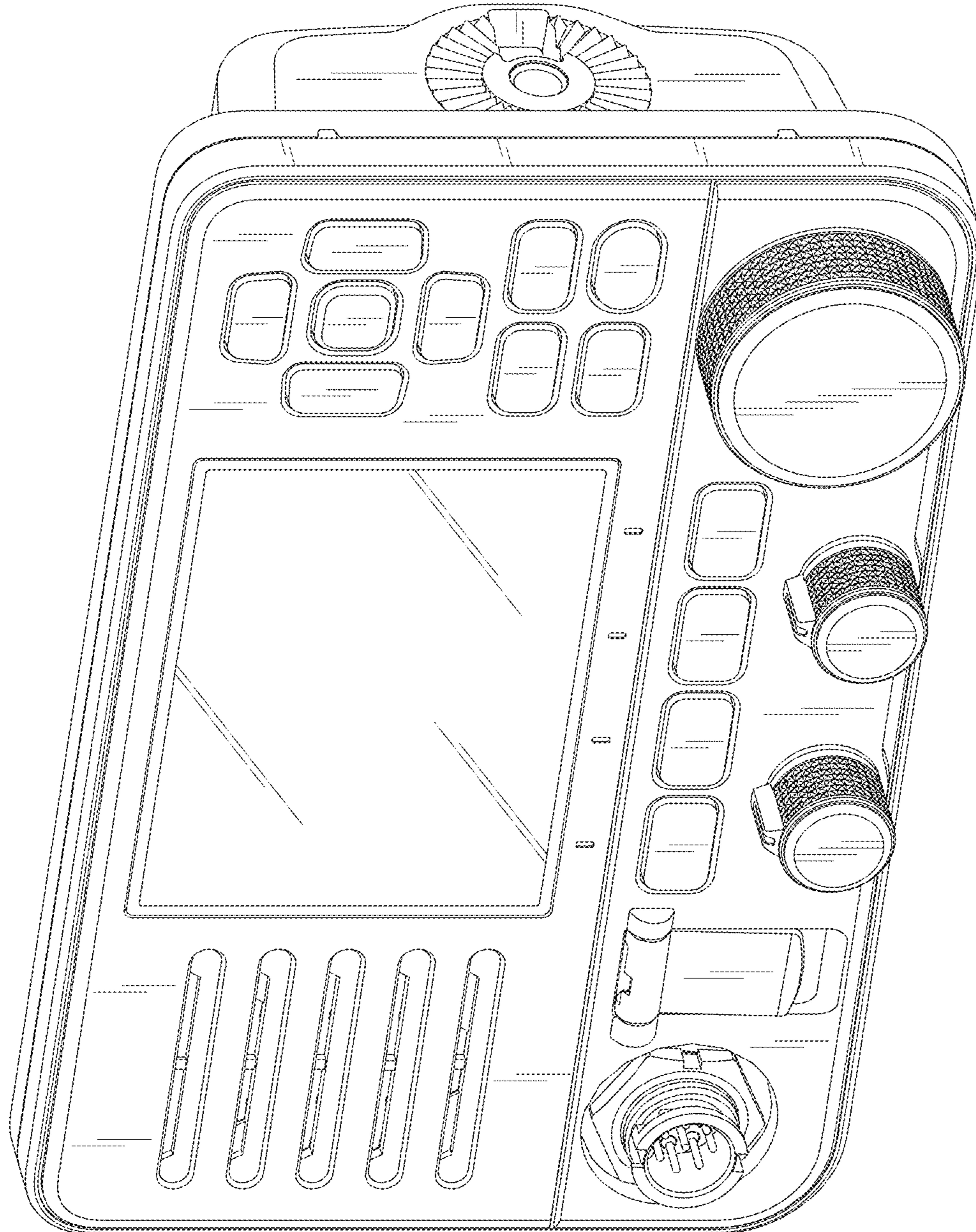


FIG.1

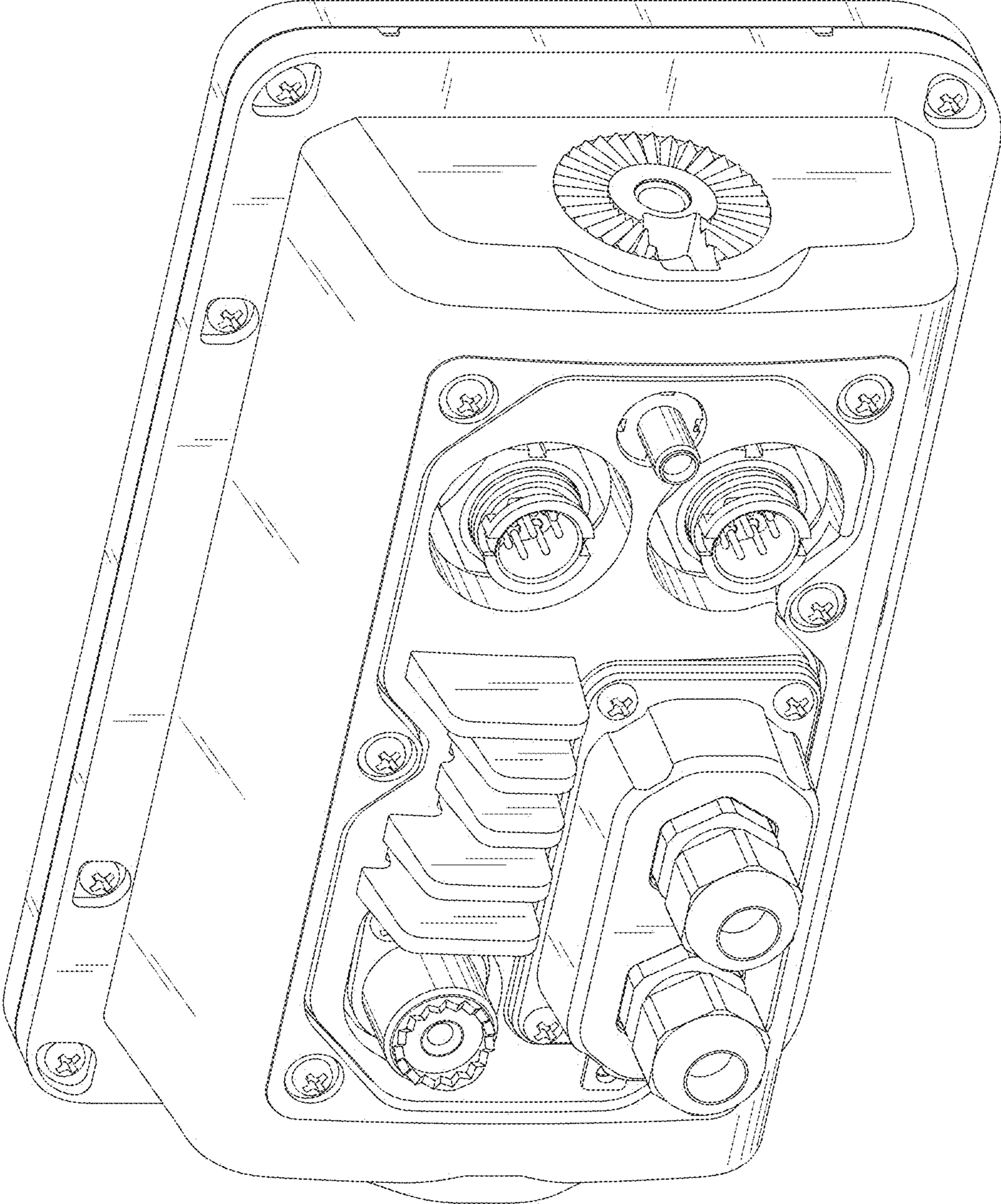


FIG.2

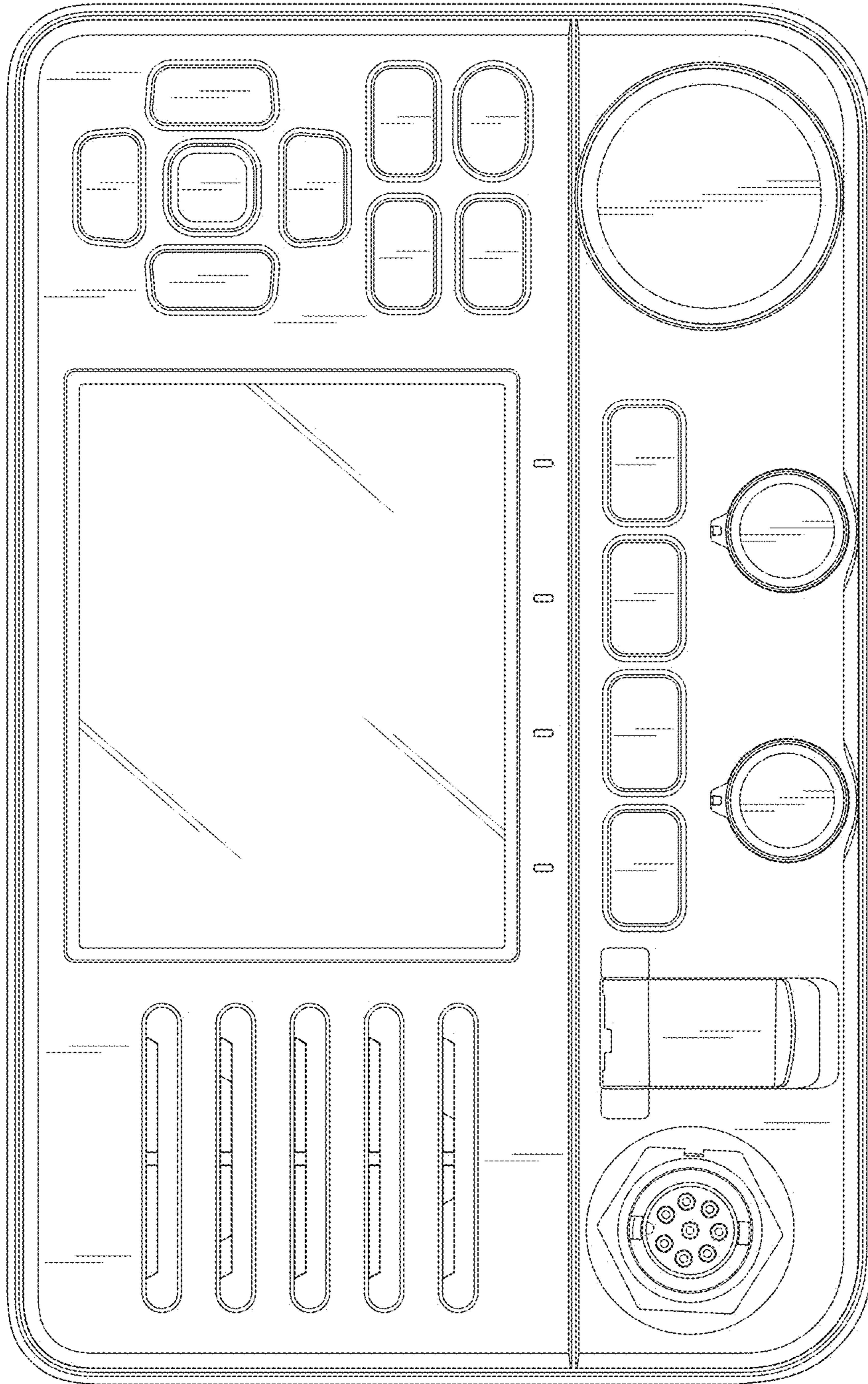


FIG. 3

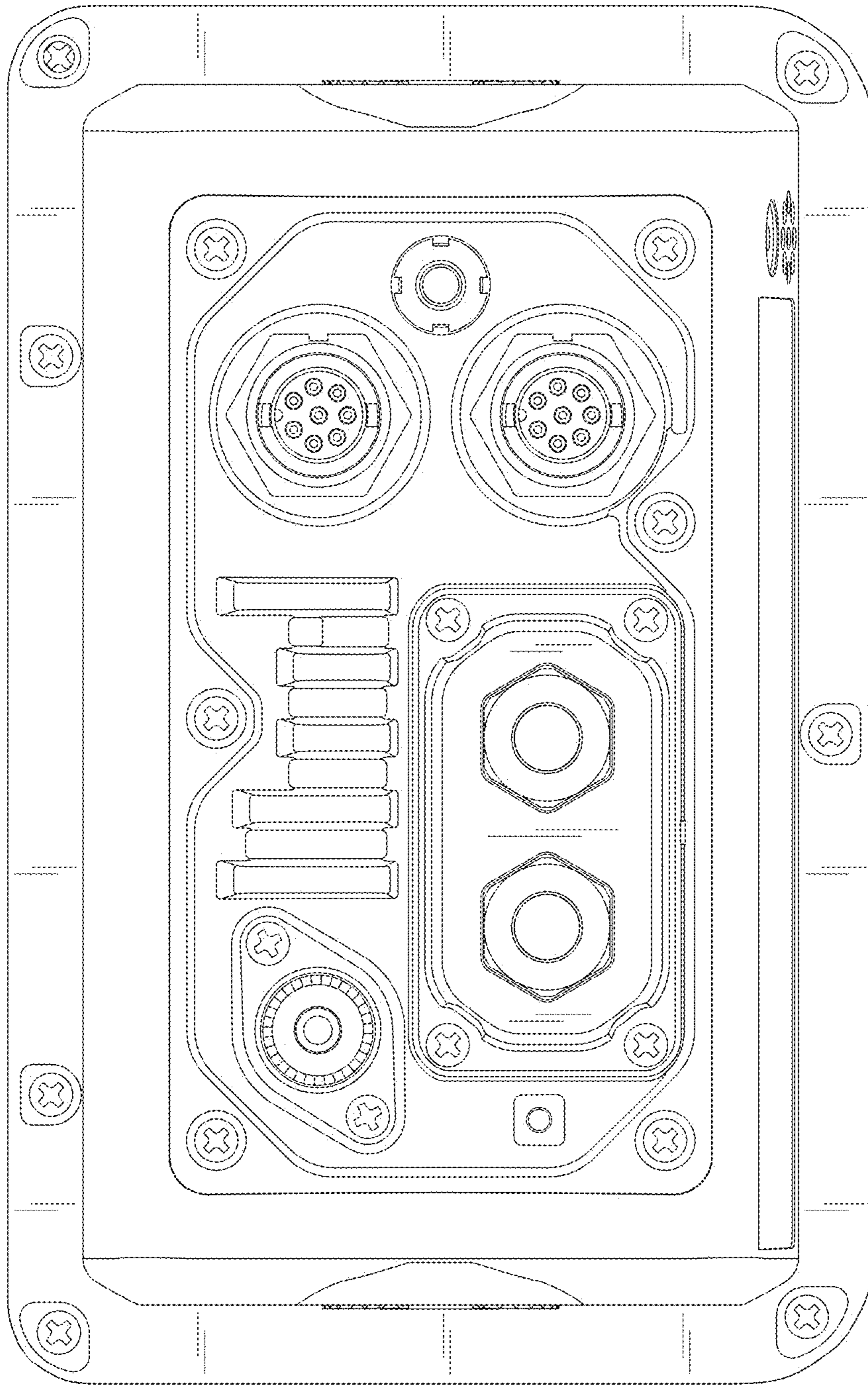


FIG.4

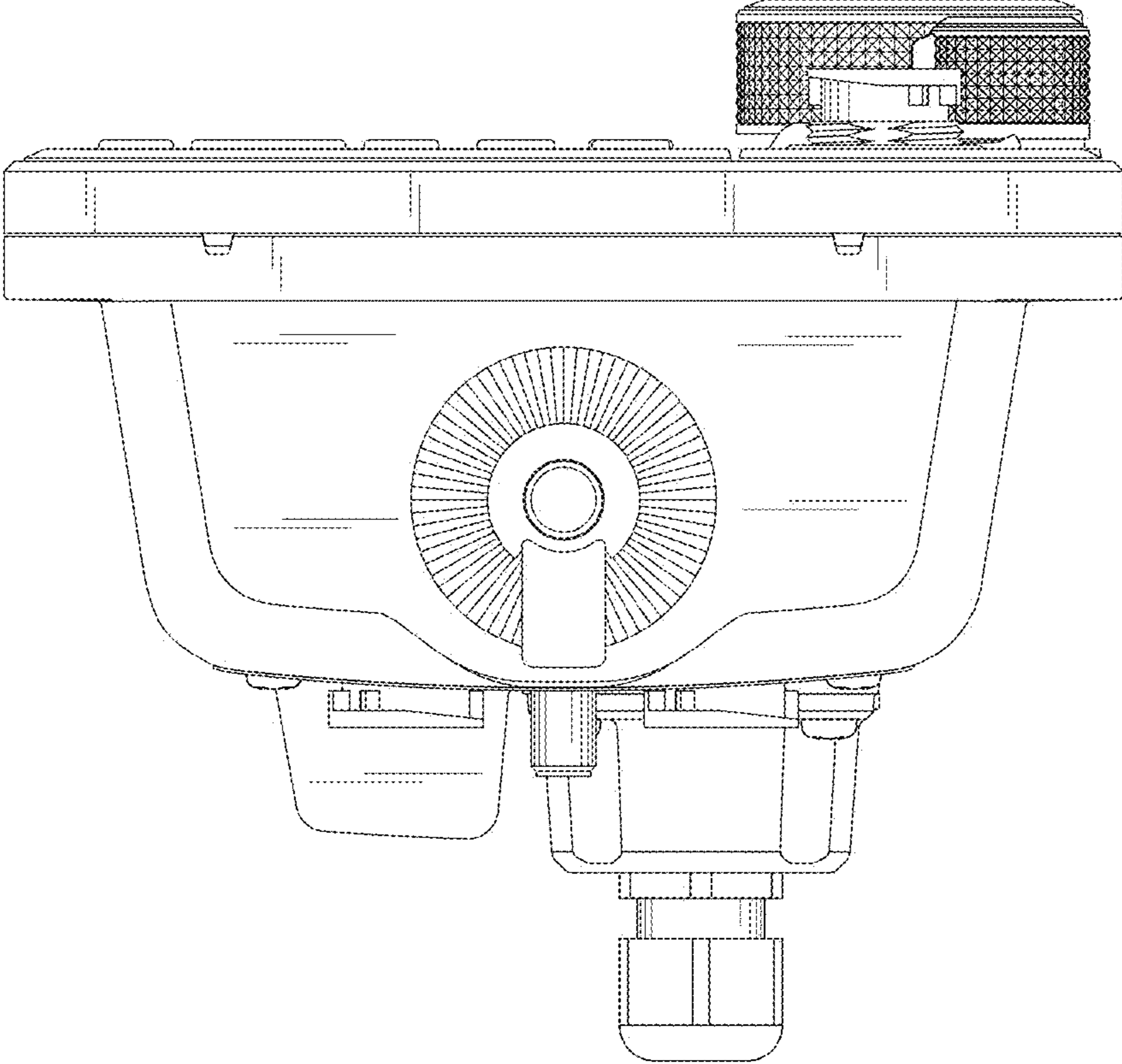


FIG. 5

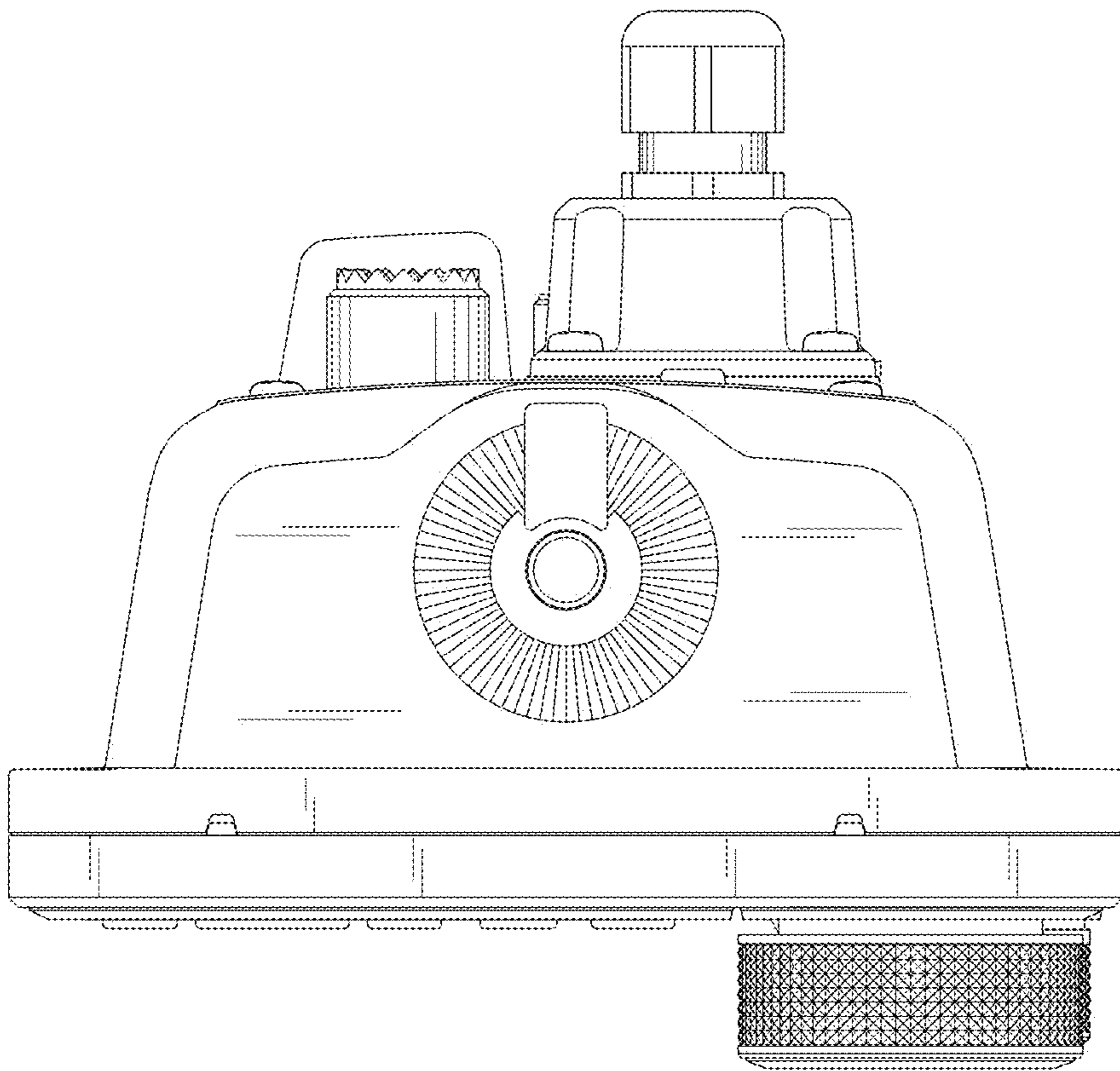


FIG. 6



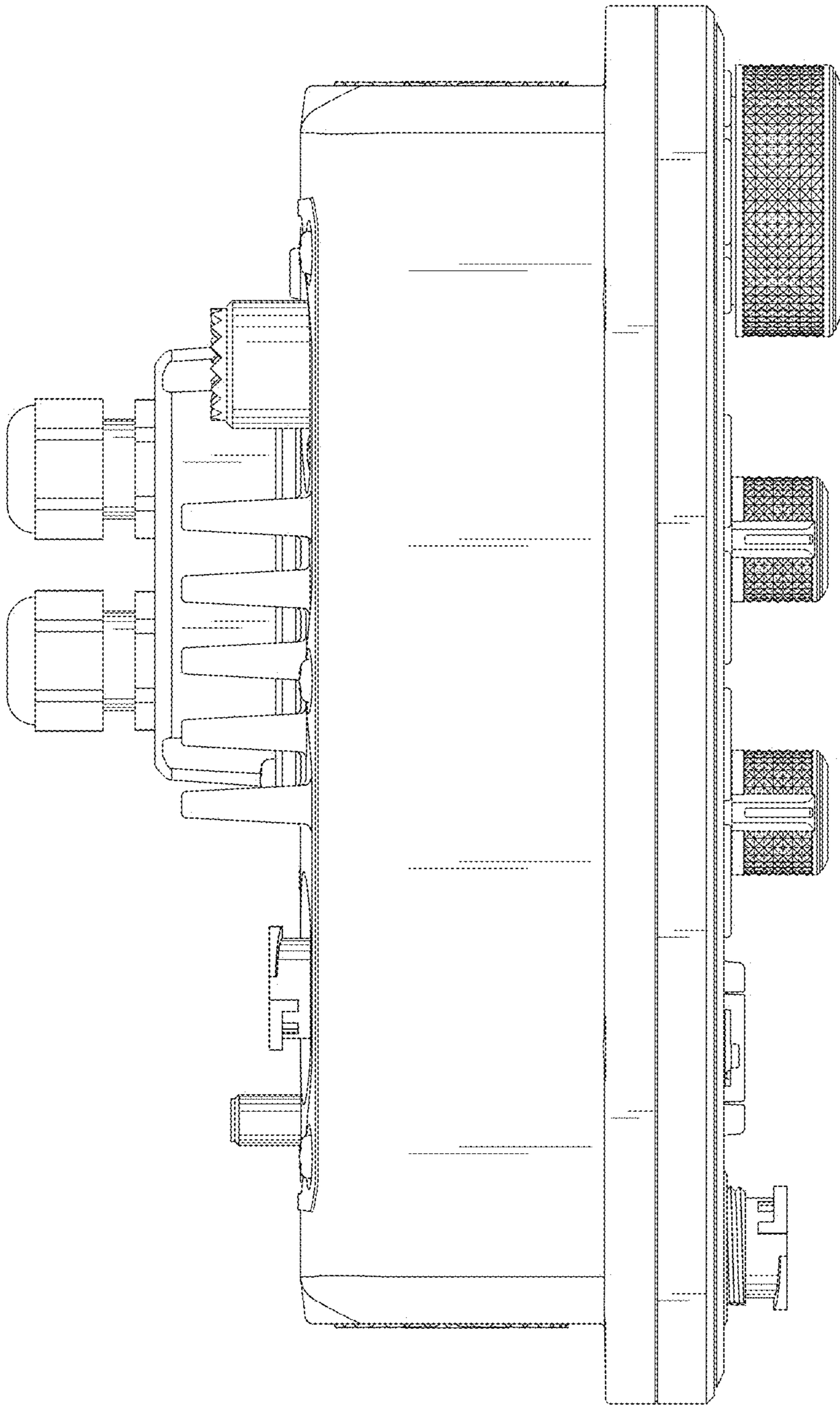


FIG. 7

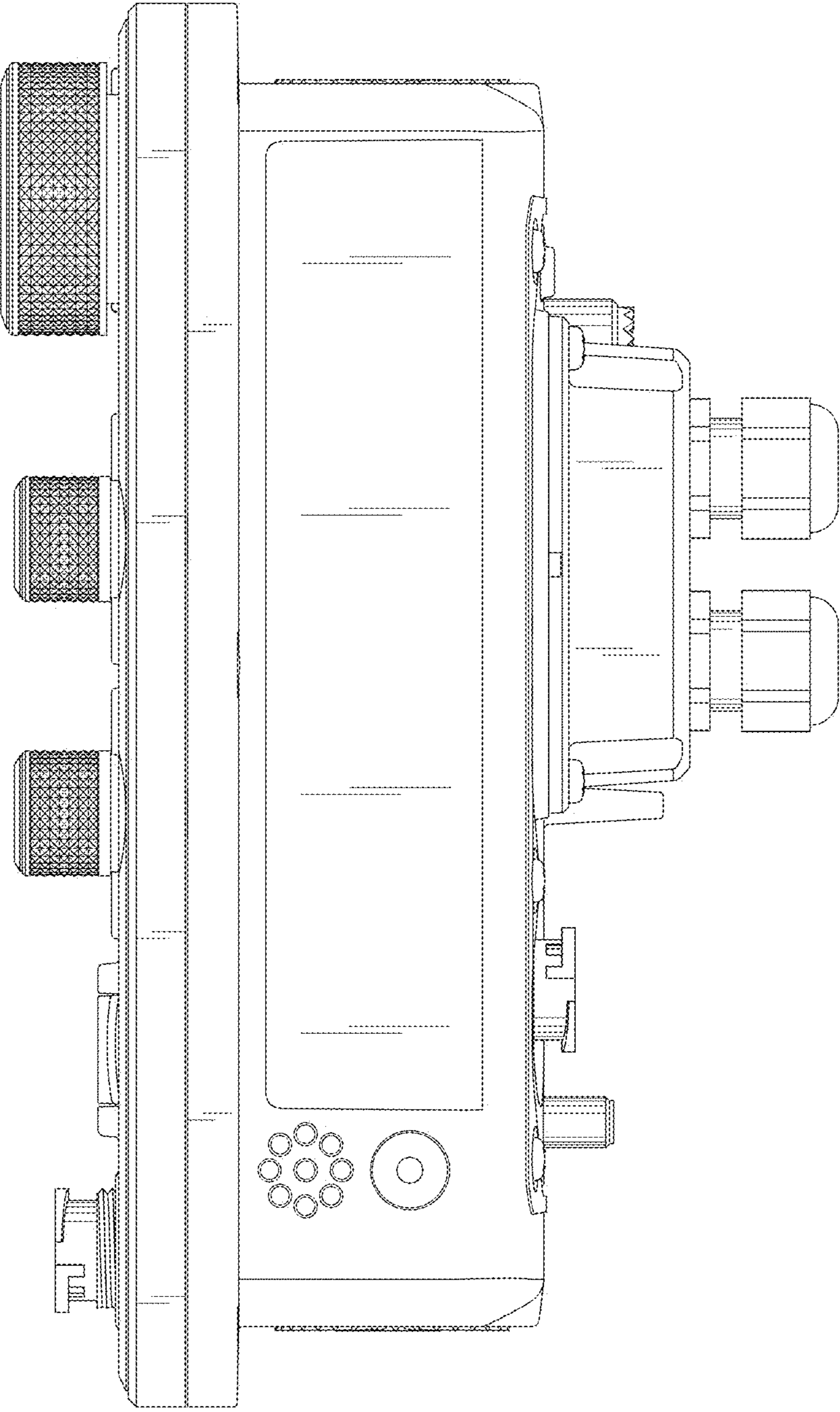


FIG. 8