

US00D978099S

(12) **United States Design Patent**  
**Moon et al.**

(10) **Patent No.:** **US D978,099 S**  
(45) **Date of Patent:** **\*\* Feb. 14, 2023**

(54) **TELEVISION**

- (71) Applicant: **SAMSUNG ELECTRONICS CO., LTD.**, Suwon-si (KR)
- (72) Inventors: **Sinwi Moon**, Suwon-si (KR); **Jaewook Yoo**, Suwon-si (KR); **Daehun Jung**, Suwon-si (KR); **Byungmin Woo**, Suwon-si (KR); **Dongwook Kim**, Suwon-si (KR); **Jeewon Kim**, Suwon-si (KR)
- (73) Assignee: **SAMSUNG ELECTRONICS CO., LTD.**, Gyeonggi-Do (KR)

(\*\*) Term: **15 Years**

(21) Appl. No.: **29/795,014**

(22) Filed: **Jun. 16, 2021**

(30) **Foreign Application Priority Data**

Dec. 16, 2020 (KR) ..... 30-2020-0062533

(51) **LOC (14) Cl.** ..... **14-03**

(52) **U.S. Cl.**  
USPC ..... **D14/126; D14/239**

(58) **Field of Classification Search**  
USPC ..... D14/125-135, 239, 371, 136, 374-377,  
D14/440, 447, 450, 451, 448, 336, 342,  
(Continued)

(56) **References Cited**

**U.S. PATENT DOCUMENTS**

D562,811 S \* 2/2008 Asanuma ..... D14/239  
D663,706 S \* 7/2012 Cha ..... D14/126  
(Continued)

**FOREIGN PATENT DOCUMENTS**

CN 303711061 6/2016  
CN 305586745 2/2020  
(Continued)

**OTHER PUBLICATIONS**

QLED Q70A Series, first available May 11, 2021 [online], [retrieved Sep. 19, 2022]. Available from the Internet, URL:<https://a.co/d/4Had0IL>. (Year: 2021).\*

*Primary Examiner* — Dana K Weiland

*Assistant Examiner* — Russell Carnell Smith, Jr.

(74) *Attorney, Agent, or Firm* — Cantor Colburn LLP

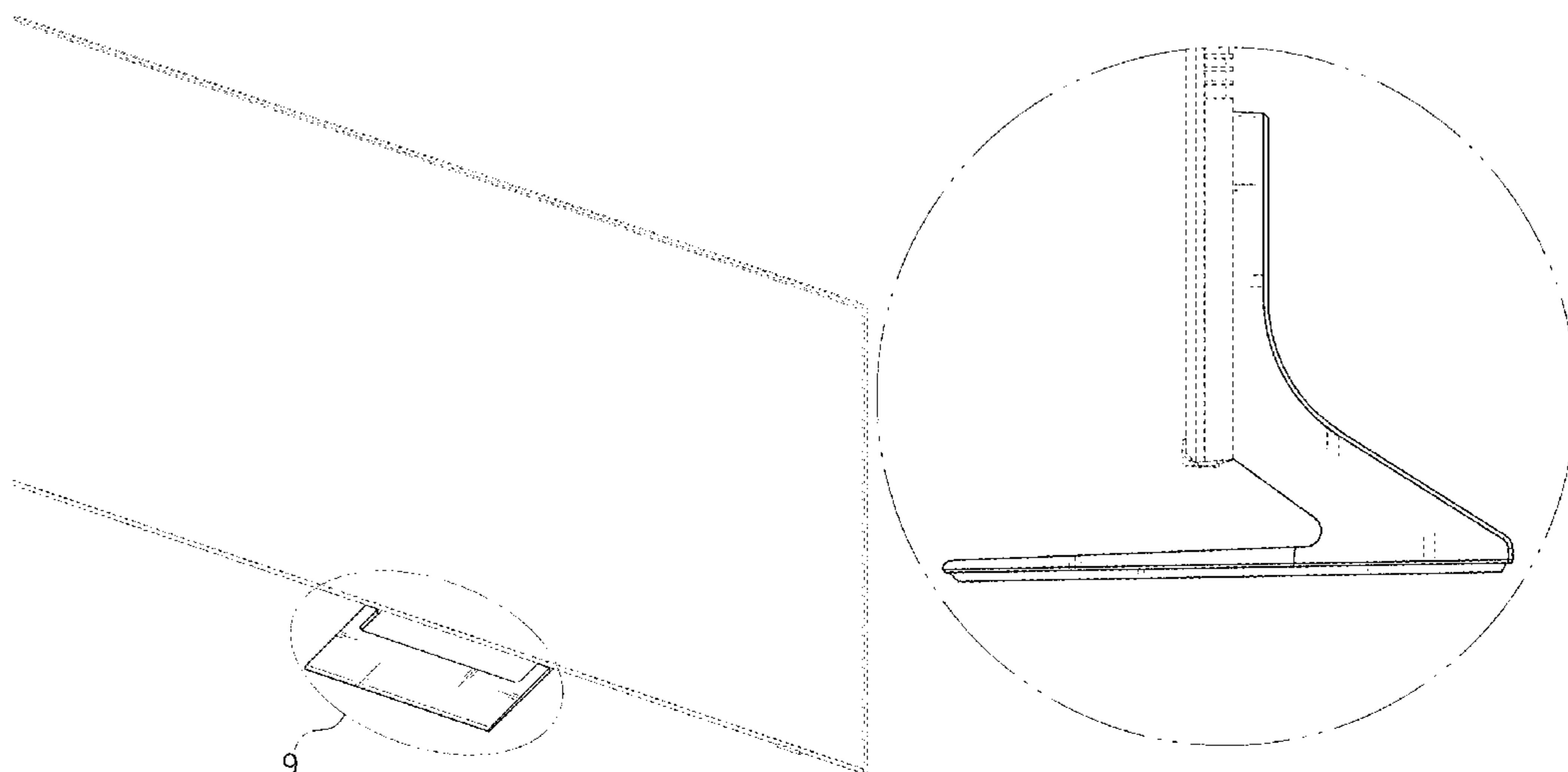
(57) **CLAIM**

The ornamental design for a television, as shown and described.

**DESCRIPTION**

FIG. 1 is a front perspective view of a television, showing our new design;  
FIG. 2 is a front view thereof;  
FIG. 3 is a rear view thereof;  
FIG. 4 is a left-side view thereof;  
FIG. 5 is a right-side view thereof;  
FIG. 6 is a top view thereof;  
FIG. 7 is a bottom view thereof;  
FIG. 8 is a rear perspective view thereof;  
FIG. 9 is an enlarged view of the portion 9 in FIG. 1;  
FIG. 10 is an enlarged view of the portion 10 in FIG. 2;  
FIG. 11 is an enlarged view of the portion 11 in FIG. 3;  
FIG. 12 is an enlarged view of the portion 12 in FIG. 4;  
FIG. 13 is an enlarged view of the portion 13 in FIG. 5;  
FIG. 14 is an enlarged view of the portion 14 in FIG. 6;  
FIG. 15 is an enlarged view of the portion 15 in FIG. 7;  
FIG. 16 is an enlarged view of the portion 16 in FIG. 8; and,  
FIG. 17 is an exploded front perspective view thereof.  
The even-dash broken lines illustrating portions of the television form no part of the claimed design. The dot-dot-dash broken lines encircling enlargement portions of the claimed design form no part of the claimed design.

**1 Claim, 17 Drawing Sheets**



(58) **Field of Classification Search**

USPC .... D14/159, 251, 209.1, 238, 217; D19/113,  
D19/114  
CPC .... H04N 7/00; H04N 9/3141; H04N 13/0459;  
H04N 17/04; H04N 17/004; H04N  
21/43637; G06F 1/1601; G06F 1/1605;  
G06F 1/162

See application file for complete search history.

(56) **References Cited**

U.S. PATENT DOCUMENTS

D670,256	S	*	11/2012	Kim	.....	D14/126
D686,584	S	*	7/2013	Yoo	.....	D14/126
D706,734	S	*	6/2014	Takami	.....	D14/126
D725,617	S	*	3/2015	Choi	.....	D14/126
D738,338	S	*	9/2015	Lee	.....	D14/126
D745,496	S	*	12/2015	Gao	.....	D14/239
D758,332	S	*	6/2016	Won	.....	D14/126
D849,729	S	*	5/2019	Kim	.....	D14/239
D864,136	S	*	10/2019	Kim	.....	D14/126
D865,729	S	*	11/2019	Kim	.....	D14/126
D954,065	S	*	6/2022	Kim	.....	D14/239

FOREIGN PATENT DOCUMENTS

CN	305625986		2/2020
KR	300748038		6/2014
KR	301138010.0000	*	11/2021
KR	301138011.0000	*	11/2021
KR	301138021.0000	*	11/2021
KR	301138022.0000	*	11/2021
KR	301138024.0000	*	11/2021

\* cited by examiner

FIG. 1

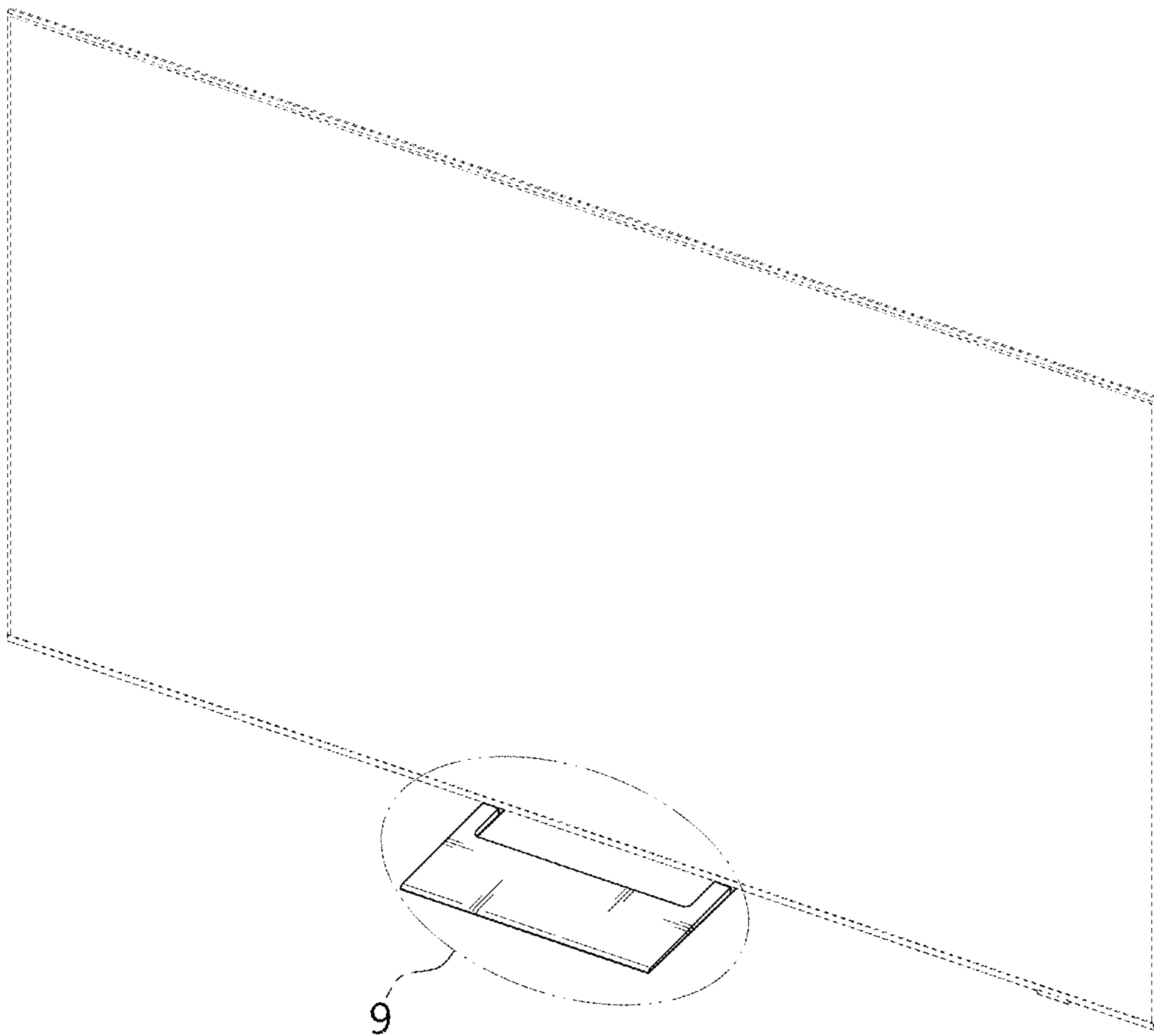


FIG. 2

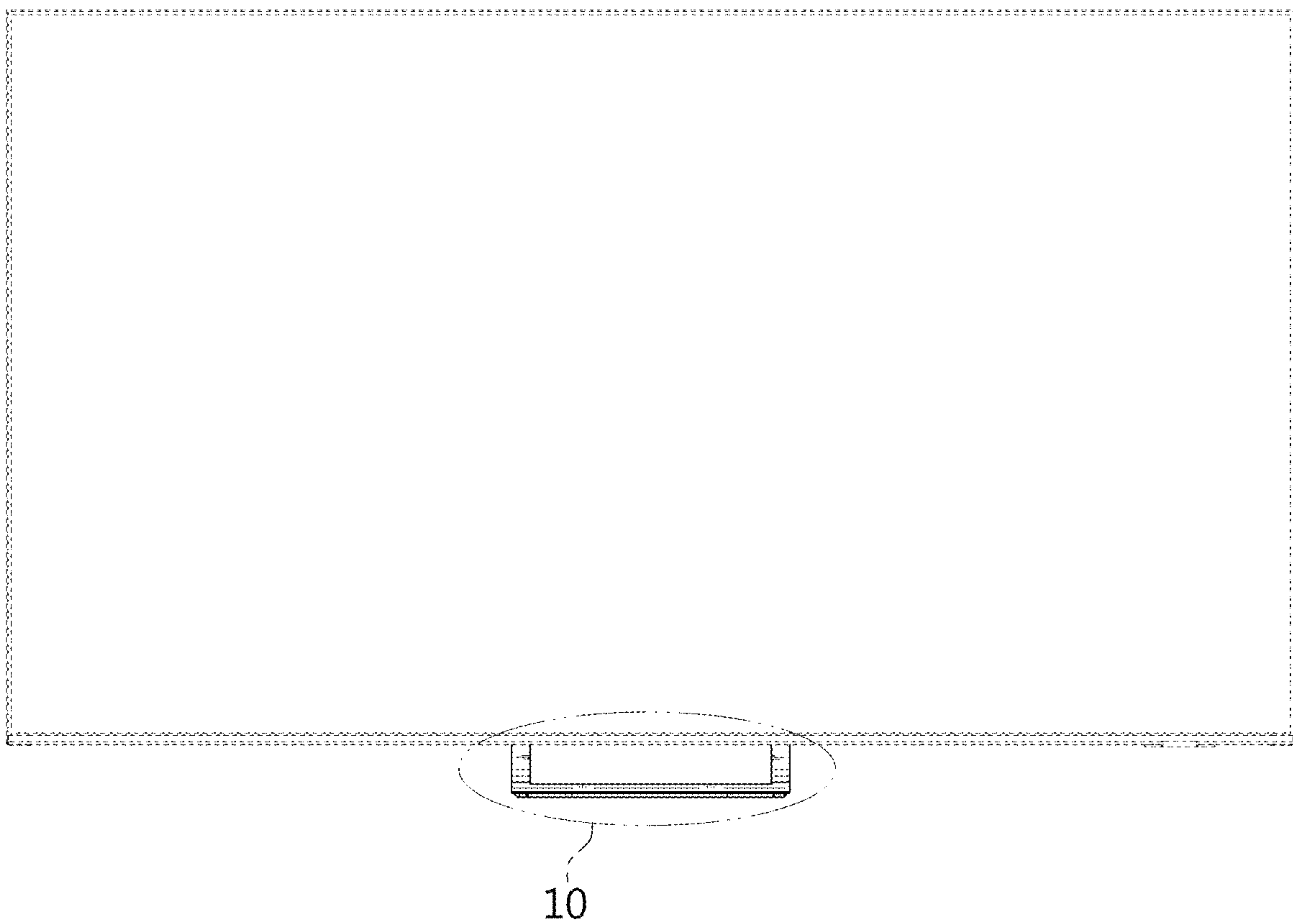


FIG. 3

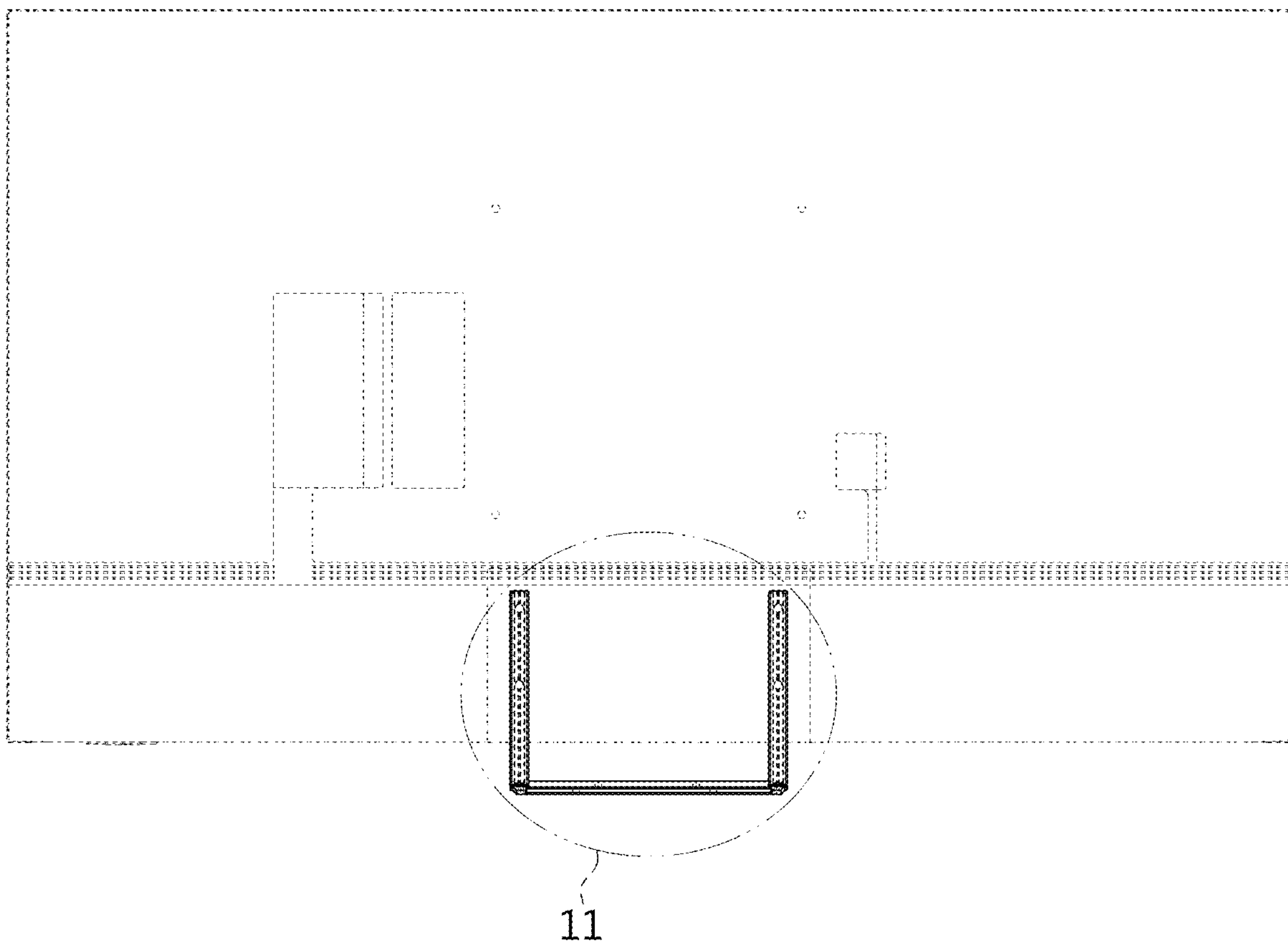


FIG. 4

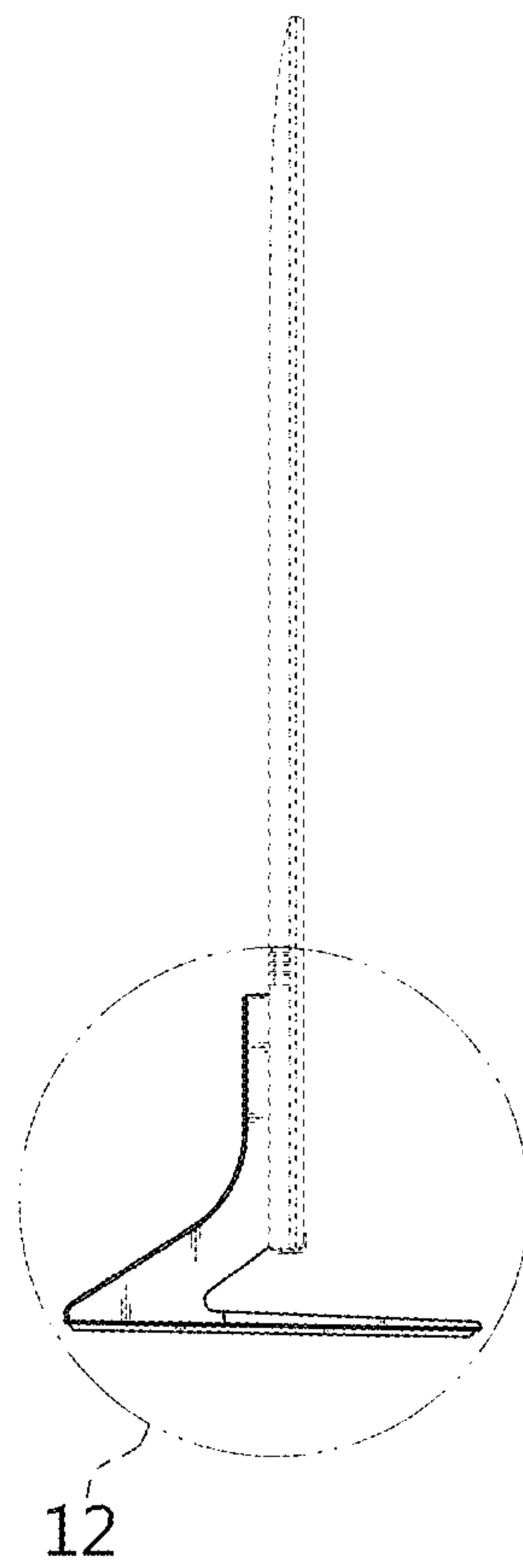


FIG. 5

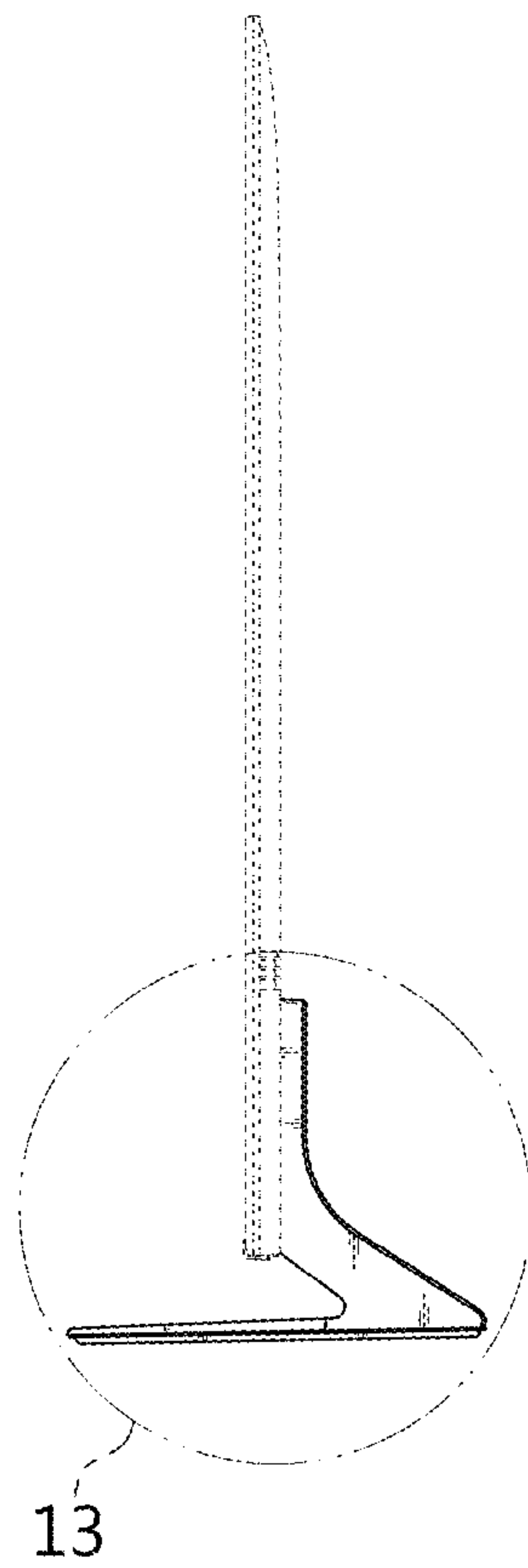


FIG. 6

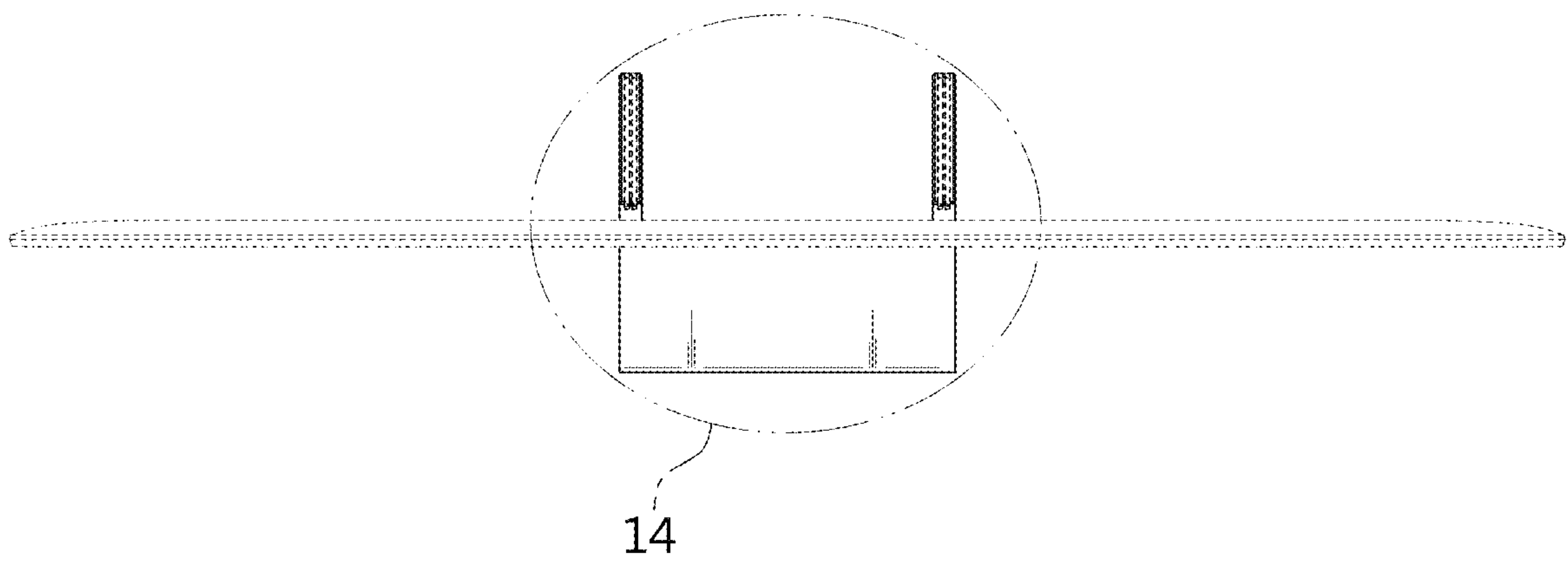




FIG. 7

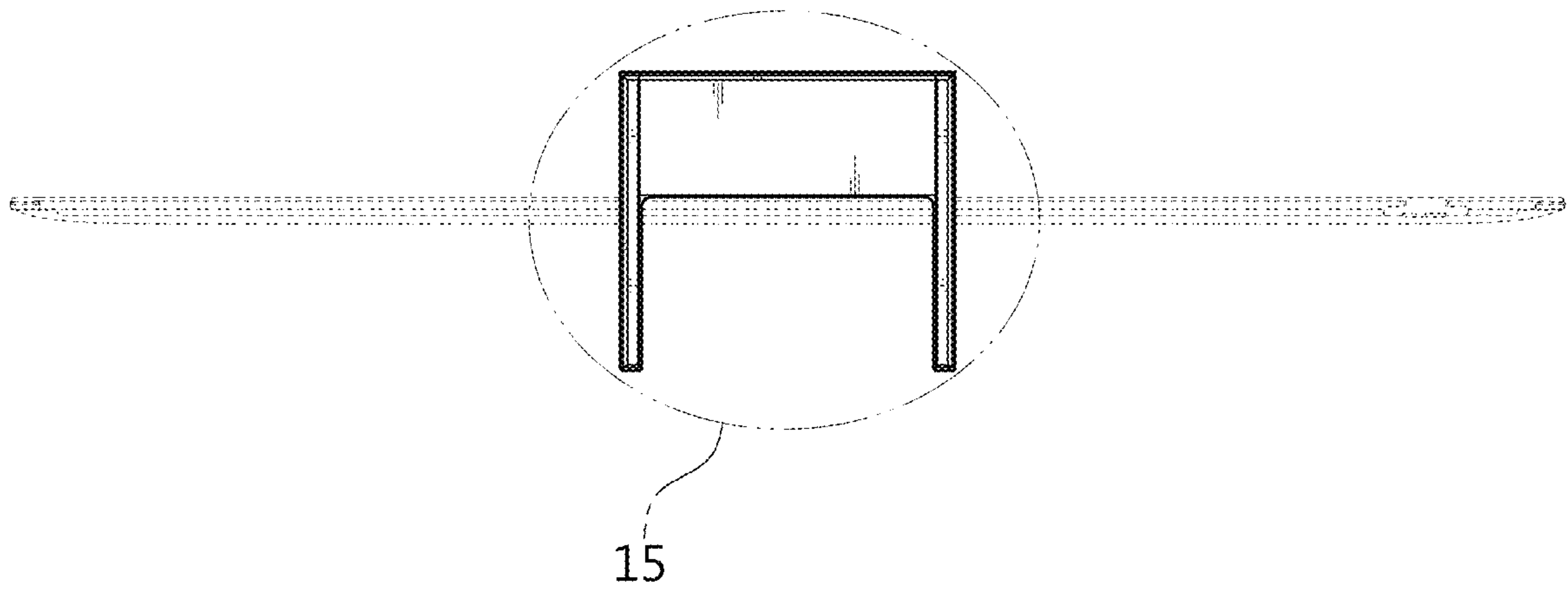


FIG. 8

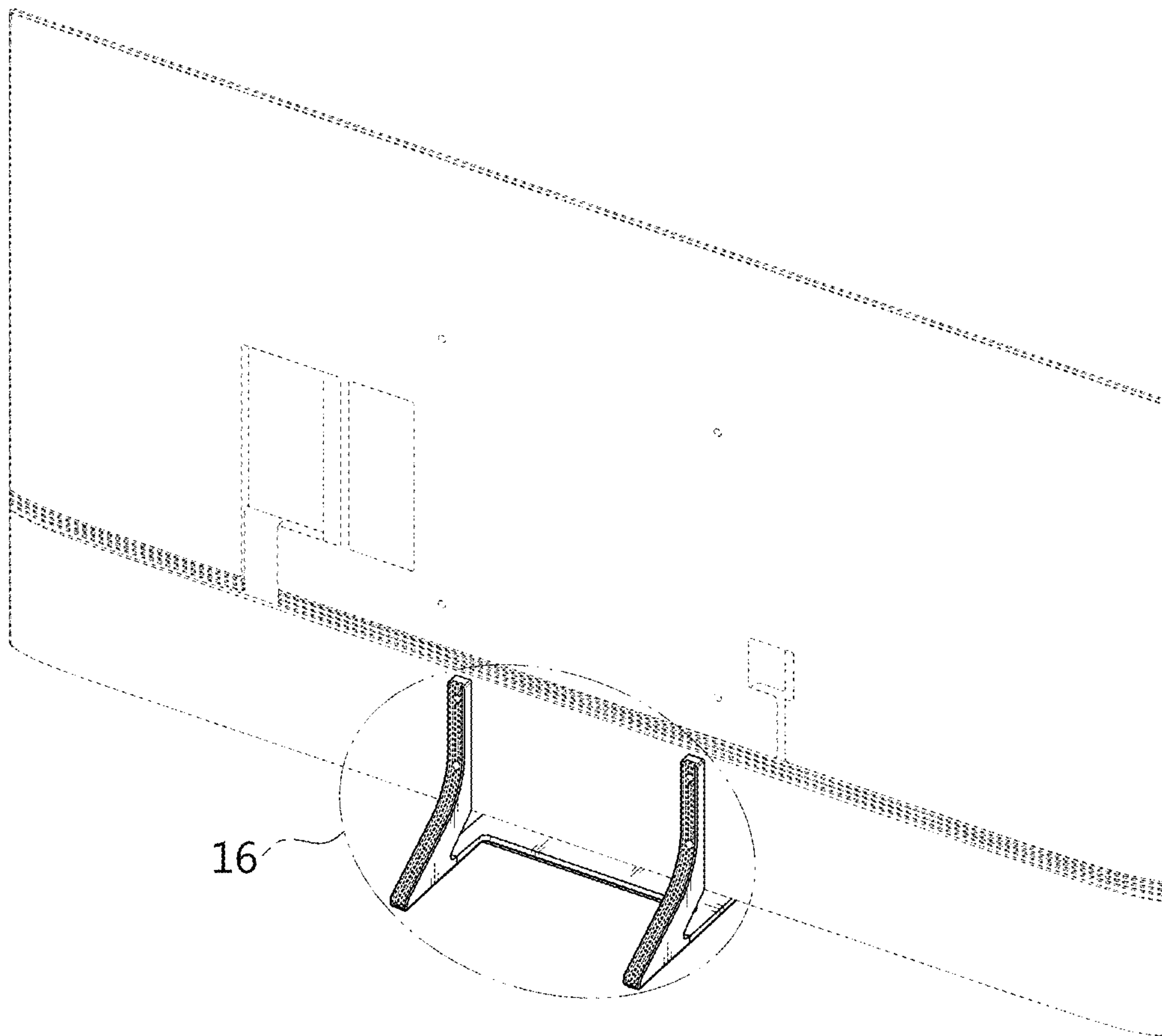


FIG. 9

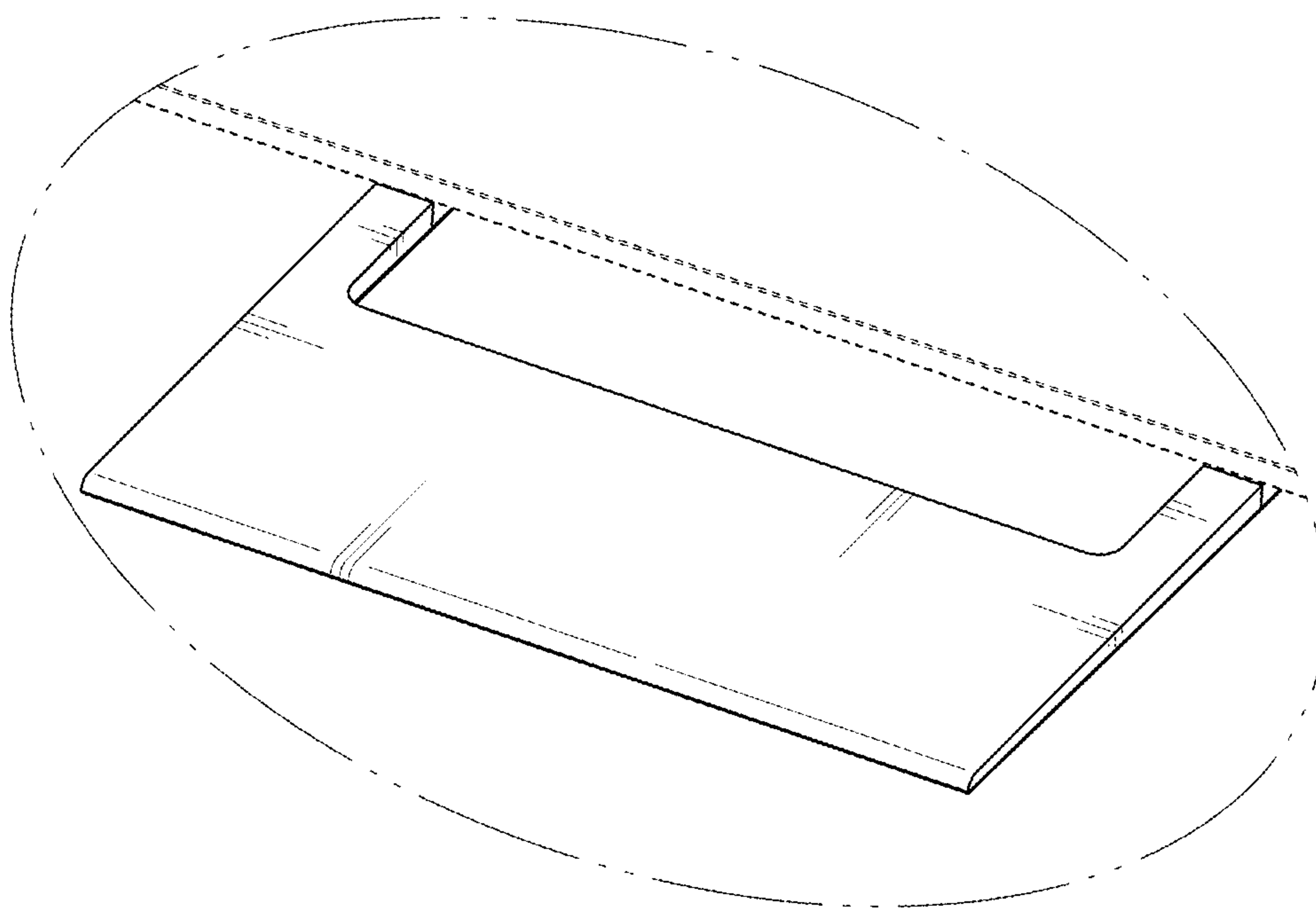


FIG. 10

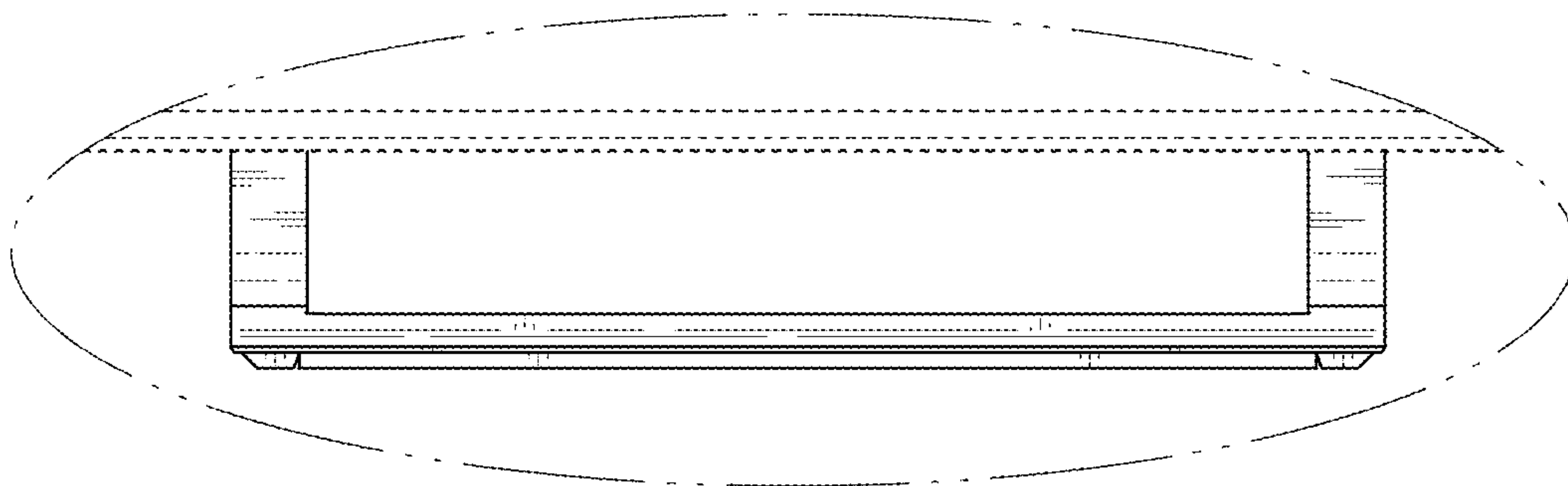


FIG. 11

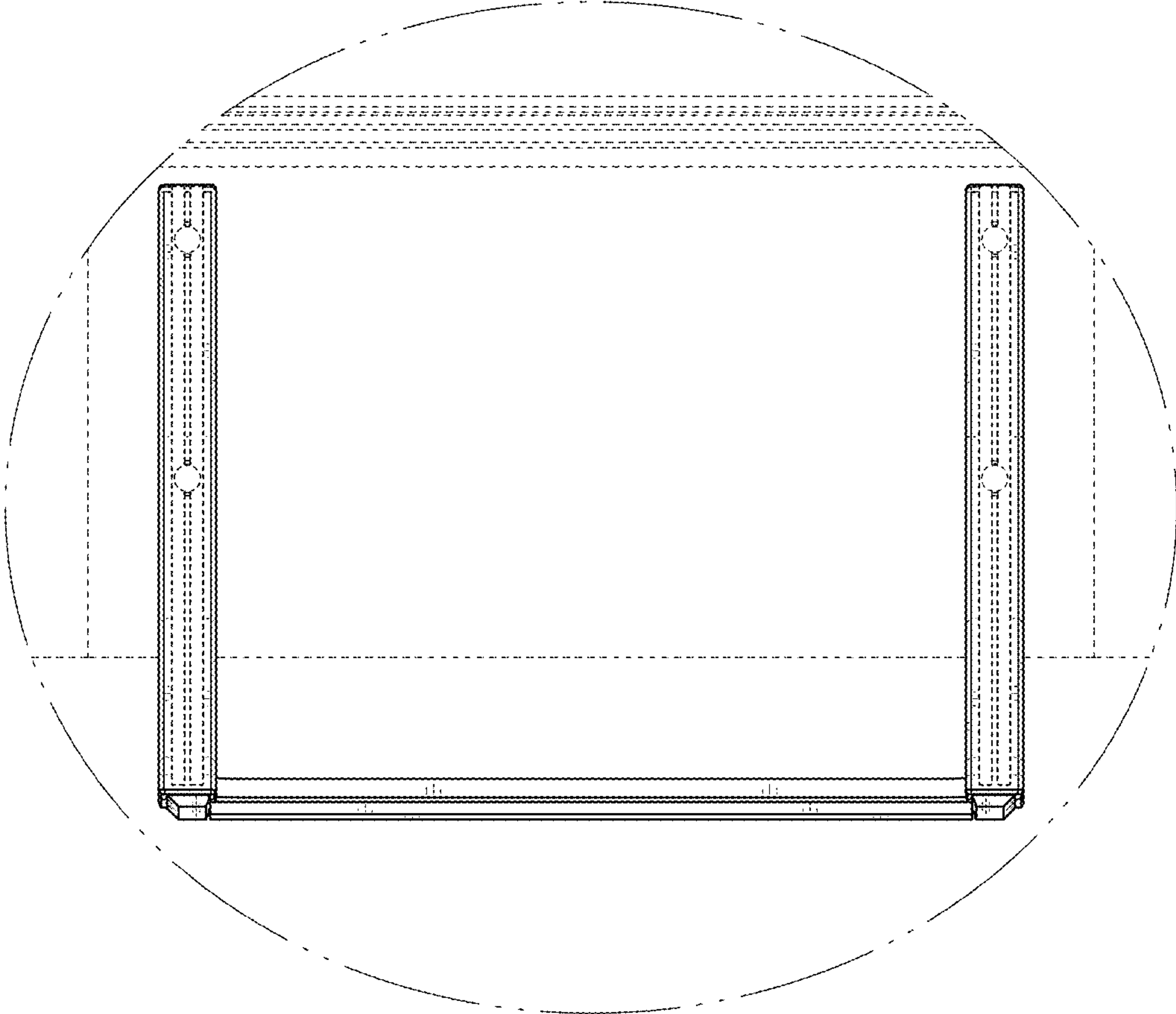


FIG. 12

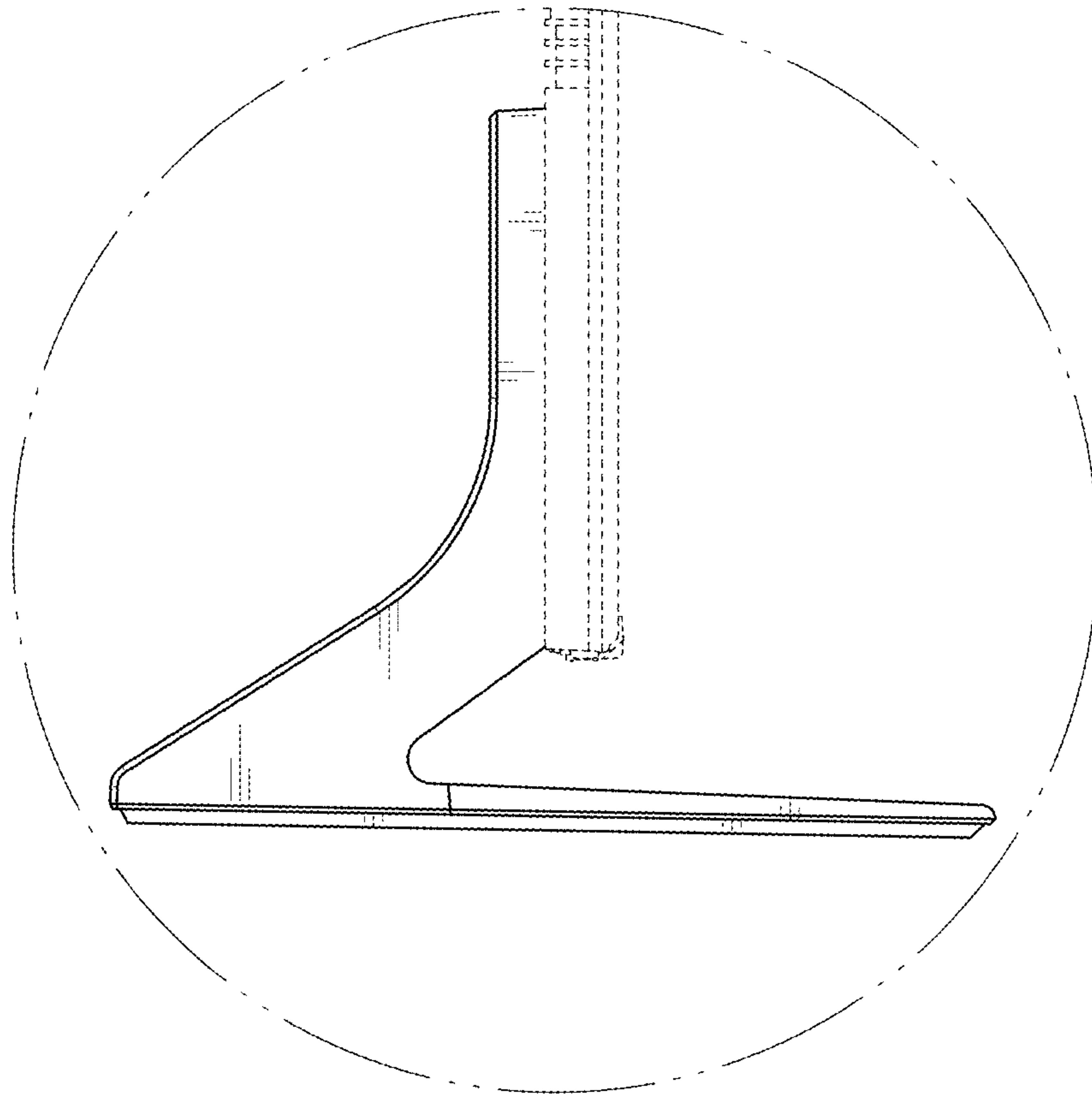


FIG. 13

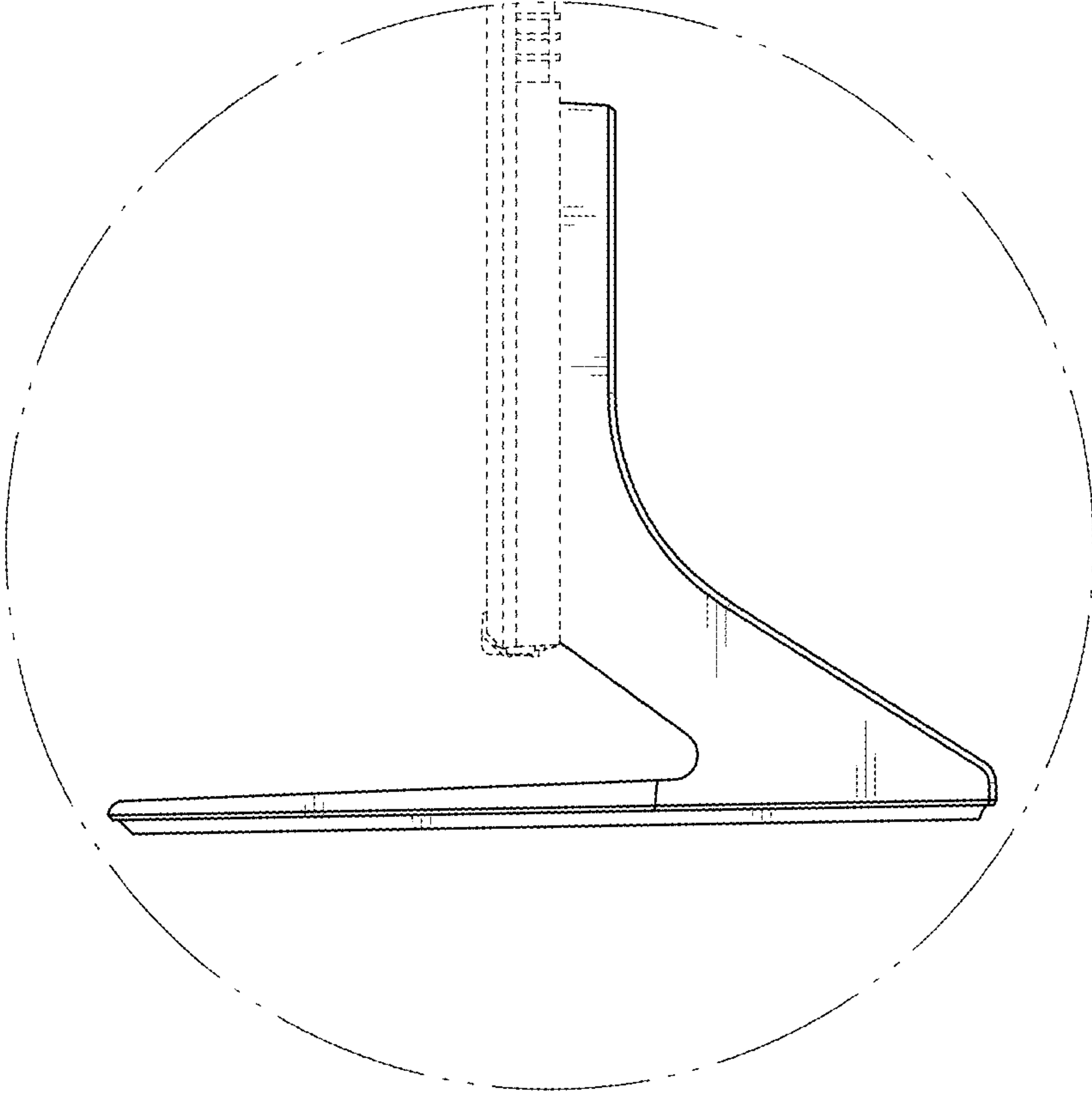


FIG. 14

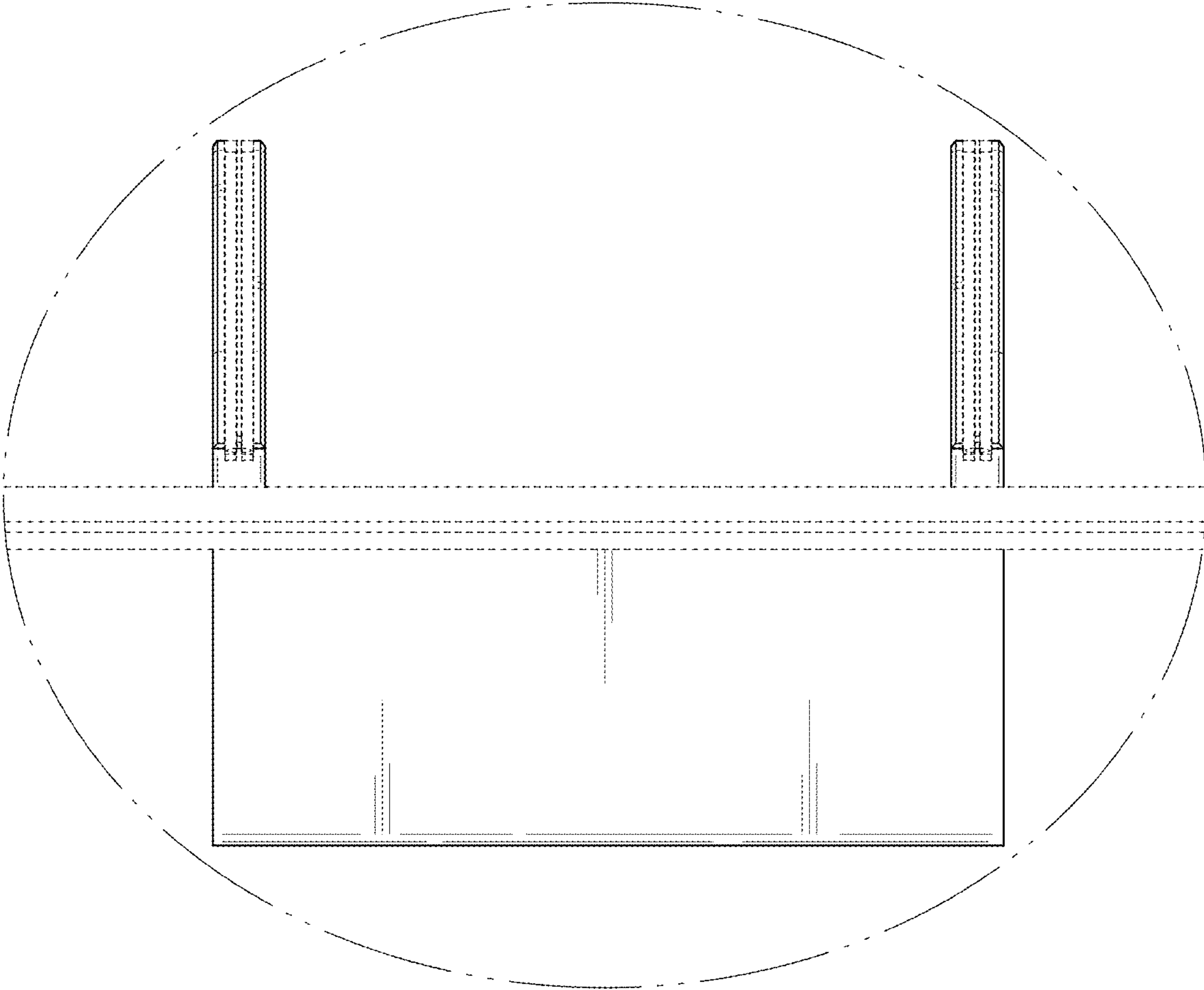




FIG. 15

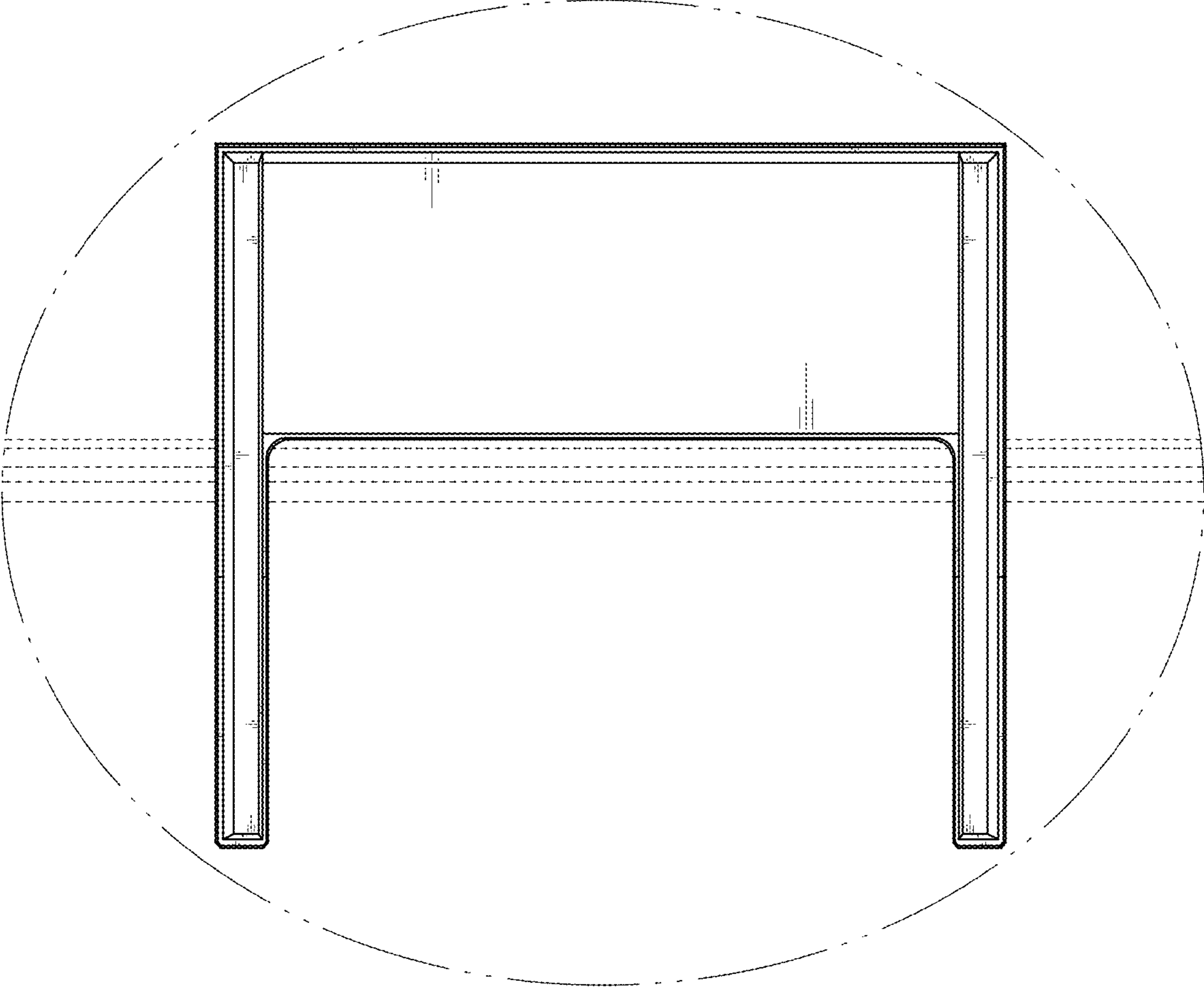


FIG. 16

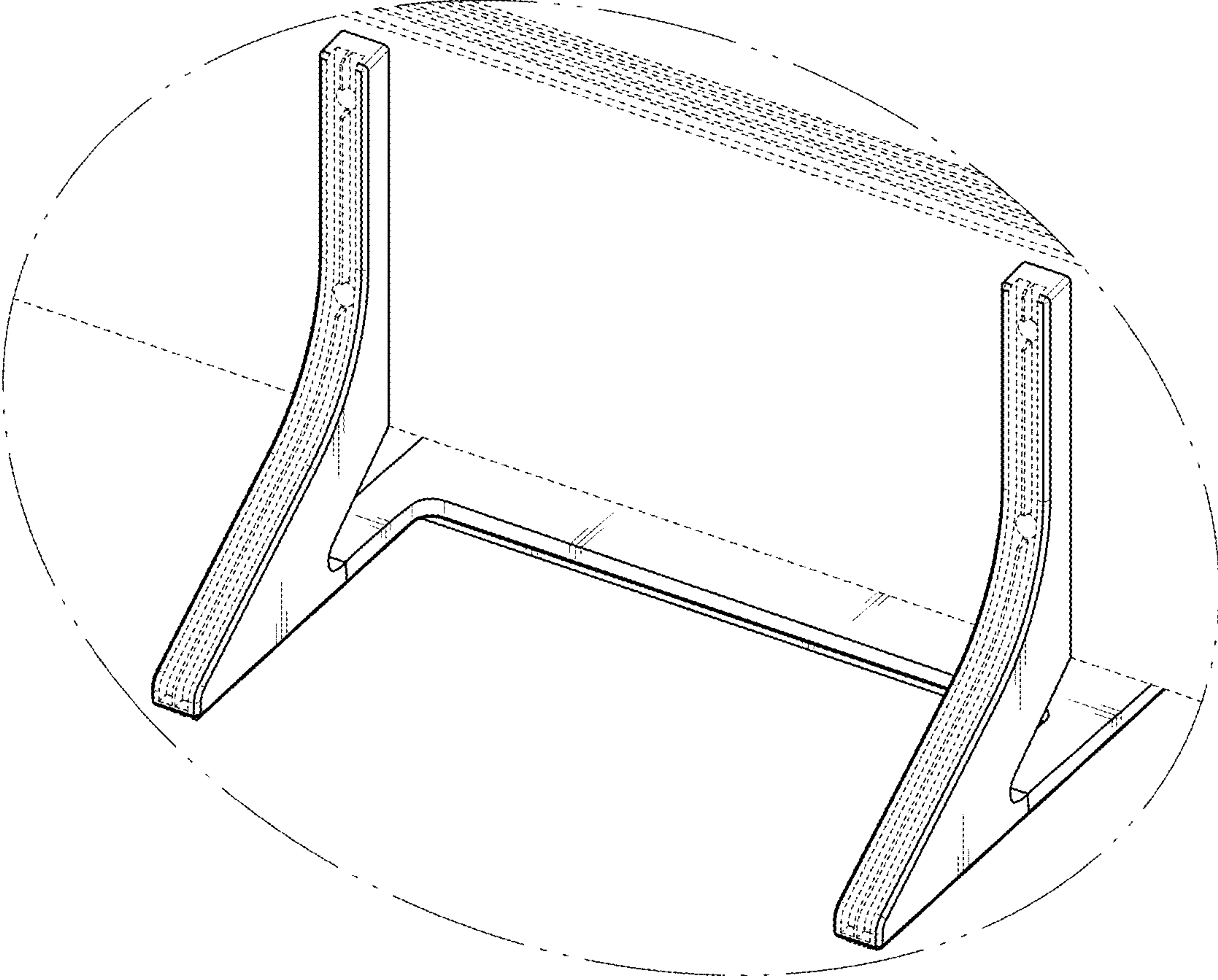


FIG. 17

