



US00D978098S

(12) **United States Design Patent** (10) **Patent No.:** **US D978,098 S**  
**Moon et al.** (45) **Date of Patent:** **\*\* Feb. 14, 2023**

(54) **TELEVISION**

- (71) Applicant: **SAMSUNG ELECTRONICS CO., LTD.**, Suwon-si (KR)
- (72) Inventors: **Sinwi Moon**, Suwon-si (KR); **Jaewook Yoo**, Suwon-si (KR); **Daehun Jung**, Suwon-si (KR); **Byungmin Woo**, Suwon-si (KR); **Dongwook Kim**, Suwon-si (KR); **Jeewon Kim**, Suwon-si (KR)
- (73) Assignee: **SAMSUNG ELECTRONICS CO., LTD.**, Gyeonggi-Do (KR)

(\*\*) Term: **15 Years**

(21) Appl. No.: **29/795,009**

(22) Filed: **Jun. 16, 2021**

(30) **Foreign Application Priority Data**

Dec. 16, 2020 (KR) ..... 30-2020-0062534

(51) **LOC (14) Cl.** ..... **14-03**

(52) **U.S. Cl.**  
USPC ..... **D14/126**

(58) **Field of Classification Search**  
USPC ..... D14/125-135, 239, 371, 136, 374-377,  
D14/440, 450, 448, 336, 342, 159, 251,  
(Continued)

(56) **References Cited**

**U.S. PATENT DOCUMENTS**

D663,706 S \* 7/2012 Cha ..... D14/126  
D670,256 S \* 11/2012 Kim ..... D14/126  
(Continued)

**FOREIGN PATENT DOCUMENTS**

CN 303711061 6/2016  
CN 305586745 2/2020  
(Continued)

**OTHER PUBLICATIONS**

QLED Q70A Series, first available May 11, 2021 [online], [retrieved Sep. 19, 2022]. Available from the Internet, URL:<https://a.co/d/4Had0IL>. (Year: 2021).\*

*Primary Examiner* — Dana K Weiland  
*Assistant Examiner* — Russell Carnell Smith, Jr.  
(74) *Attorney, Agent, or Firm* — Cantor Colburn LLP

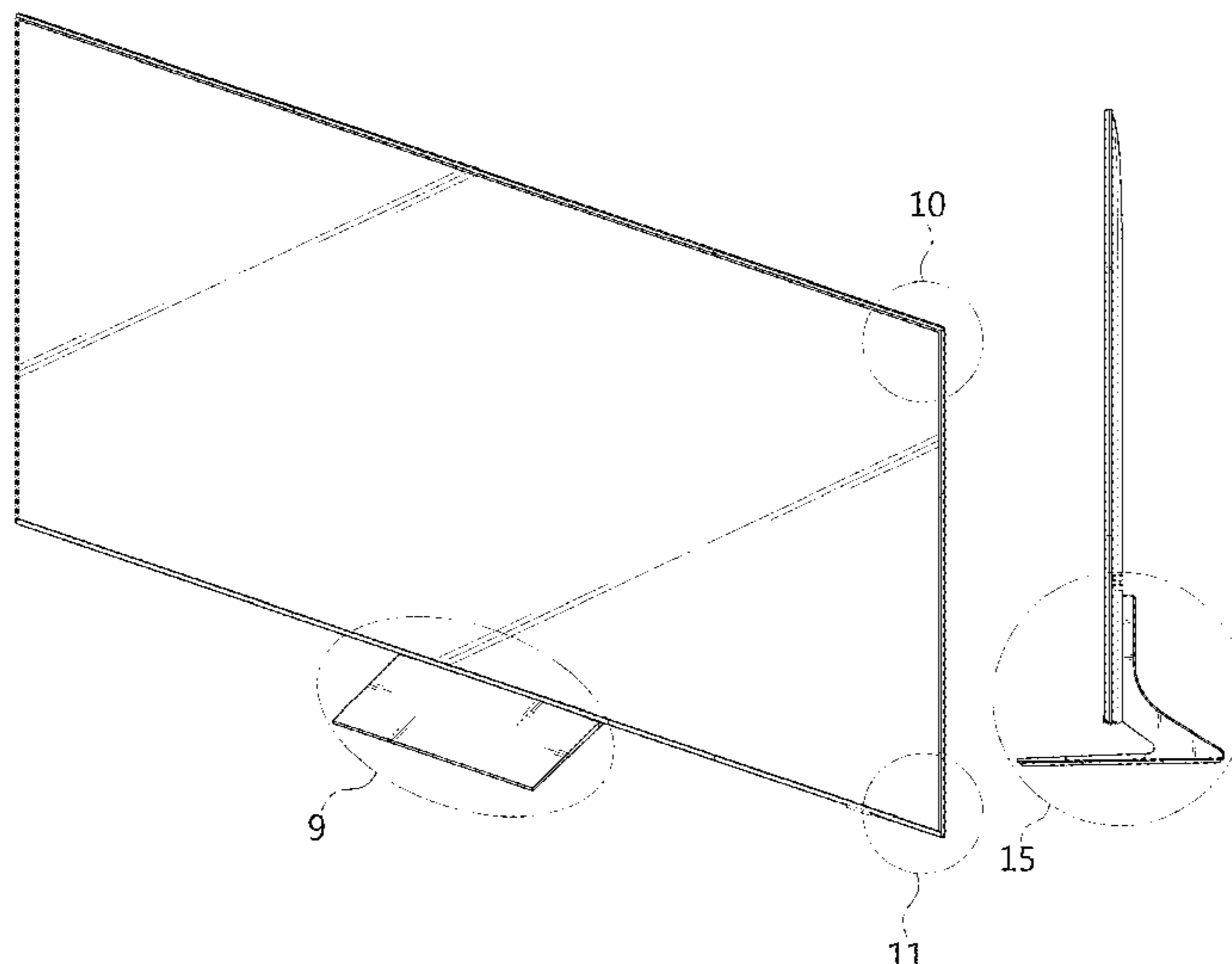
(57) **CLAIM**

The ornamental design for a television, as shown and described.

**DESCRIPTION**

FIG. 1 is a front perspective view of a television, showing our new design;  
FIG. 2 is a front view thereof;  
FIG. 3 is a rear view thereof;  
FIG. 4 is a left-side view thereof;  
FIG. 5 is a right-side view thereof;  
FIG. 6 is a top view thereof;  
FIG. 7 is a bottom view thereof;  
FIG. 8 is a rear perspective view thereof;  
FIG. 9 is an enlarged view of the portion 9 in FIG. 1;  
FIG. 10 is an enlarged view of the portion 10 in FIG. 1;  
FIG. 11 is an enlarged view of the portion 11 in FIG. 1;  
FIG. 12 is an enlarged view of the portion 12 in FIG. 2;  
FIG. 13 is an enlarged view of the portion 13 in FIG. 3;  
FIG. 14 is an enlarged view of the portion 14 in FIG. 4;  
FIG. 15 is an enlarged view of the portion 15 in FIG. 5;  
FIG. 16 is an enlarged view of the portion 16 in FIG. 6;  
FIG. 17 is an enlarged view of the portion 17 in FIG. 7;  
FIG. 18 is an enlarged view of the portion 18 in FIG. 8; and,  
FIG. 19 is an exploded front perspective view thereof.  
The even-dash broken lines illustrating portions of the television form no part of the claimed design. The dot-dot-dash broken lines encircling enlargement portions of the claimed design form no part of the claimed design.

**1 Claim, 19 Drawing Sheets**



(58) **Field of Classification Search**

USPC ..... D14/209.1, 238; D19/113, 114; D6/328,  
D6/332

CPC .... H04N 7/00; H04N 9/3141; H04N 13/0459;  
H04N 17/04; H04N 17/004; H04N  
21/43637; G06F 1/1601; G06F 1/1605;  
G06F 1/162

See application file for complete search history.

(56) **References Cited**

U.S. PATENT DOCUMENTS

D706,734 S *	6/2014	Takami .....	D14/126
D725,617 S *	3/2015	Choi .....	D14/126
D738,338 S *	9/2015	Lee .....	D14/126
D864,136 S *	10/2019	Kim .....	D14/126
D896,194 S *	9/2020	Kim .....	D14/126
D946,544 S *	3/2022	Jang .....	B64D 11/00154 D14/126

FOREIGN PATENT DOCUMENTS

CN	305625986	2/2020
KR	300748038	6/2014
KR	301138010.0000	* 11/2021
KR	301138011.0000	* 11/2021
KR	301138021.0000	* 11/2021
KR	301138022.0000	* 11/2021
KR	301138024.0000	* 11/2021

\* cited by examiner

FIG. 1

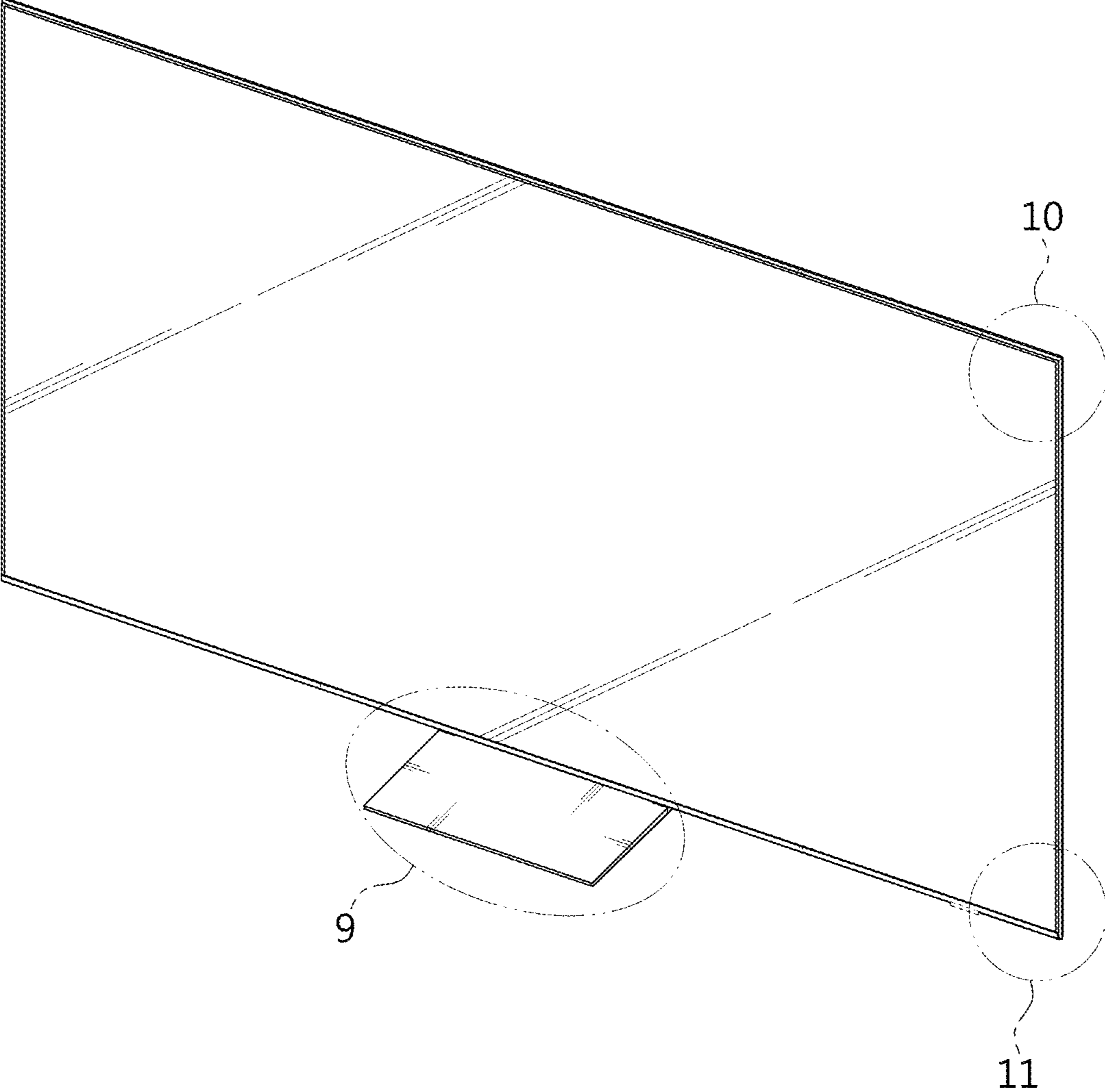


FIG. 2

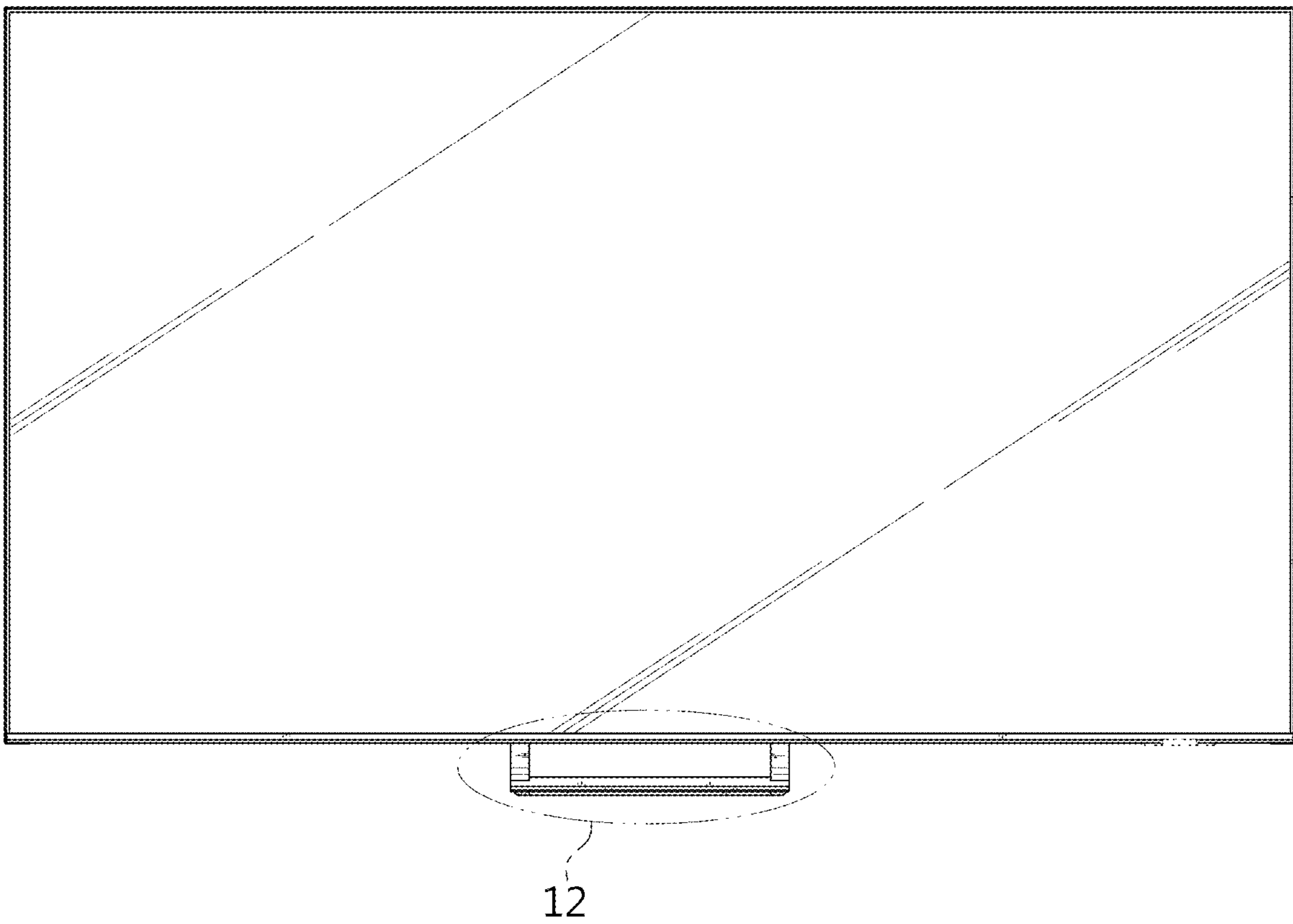


FIG. 3

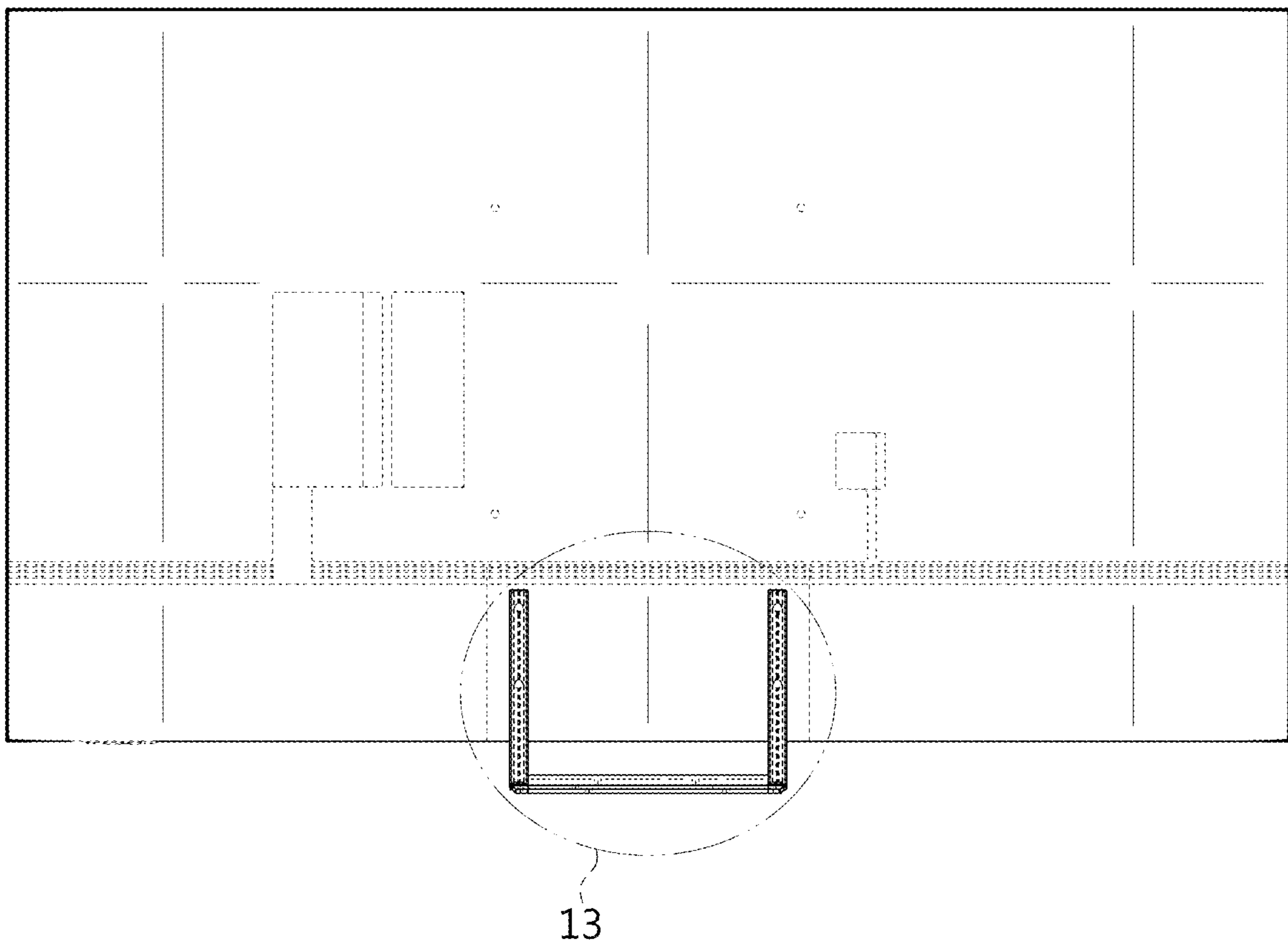


FIG. 4

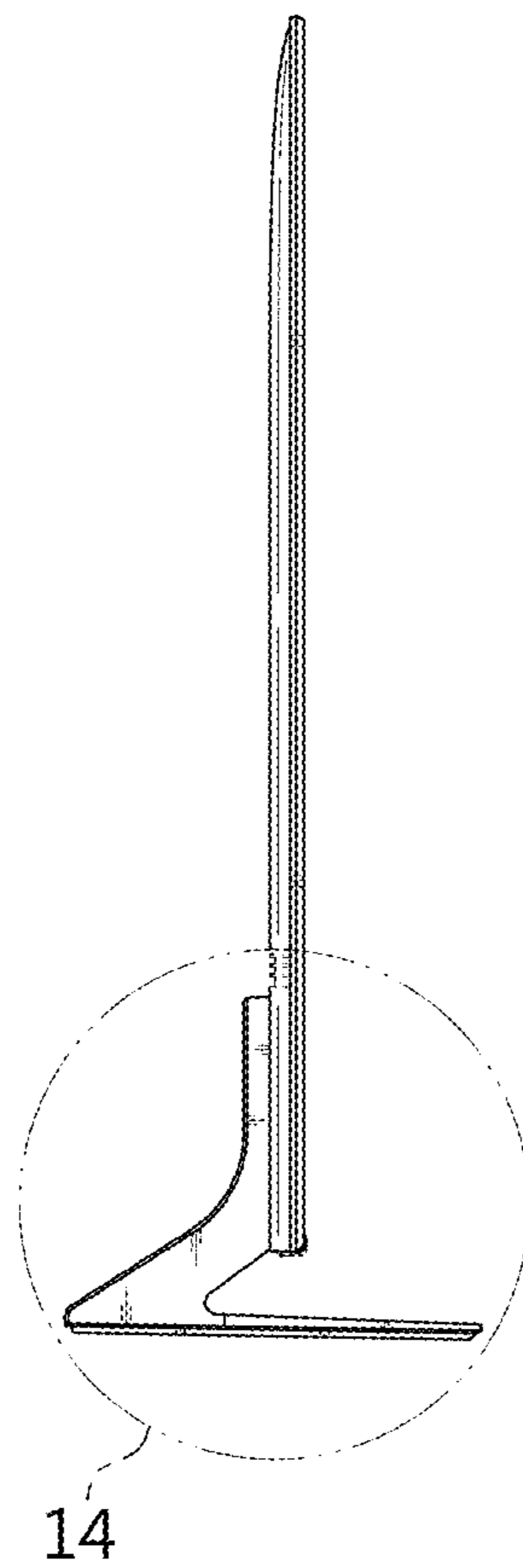


FIG. 5

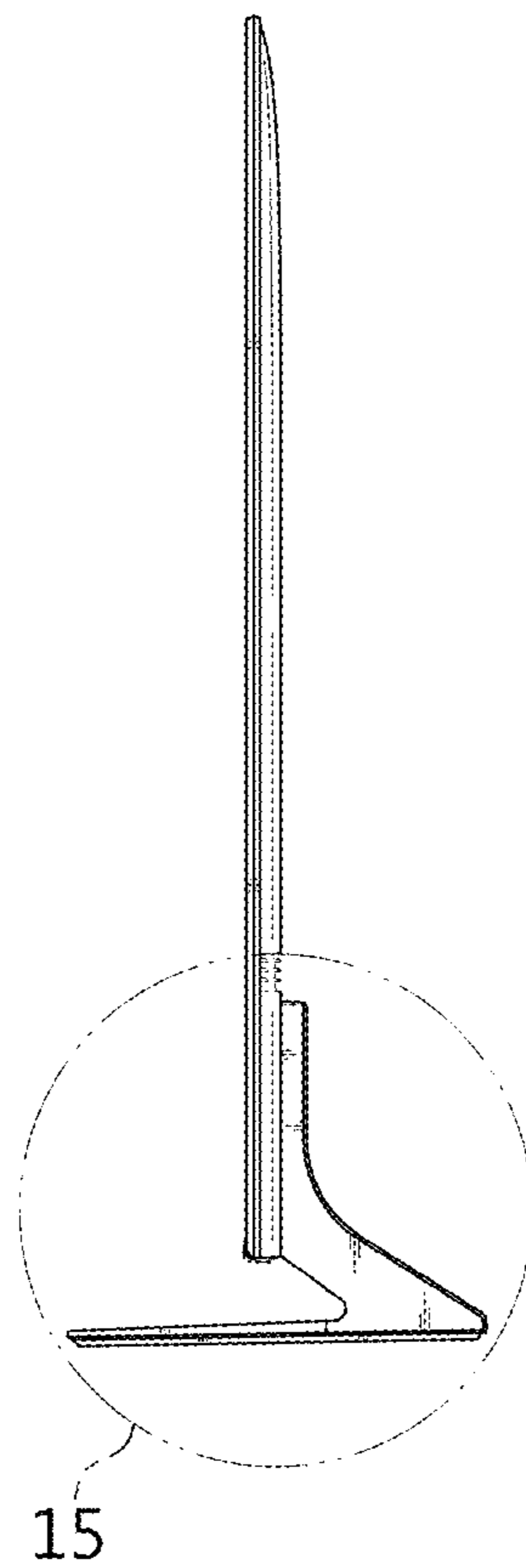


FIG. 6

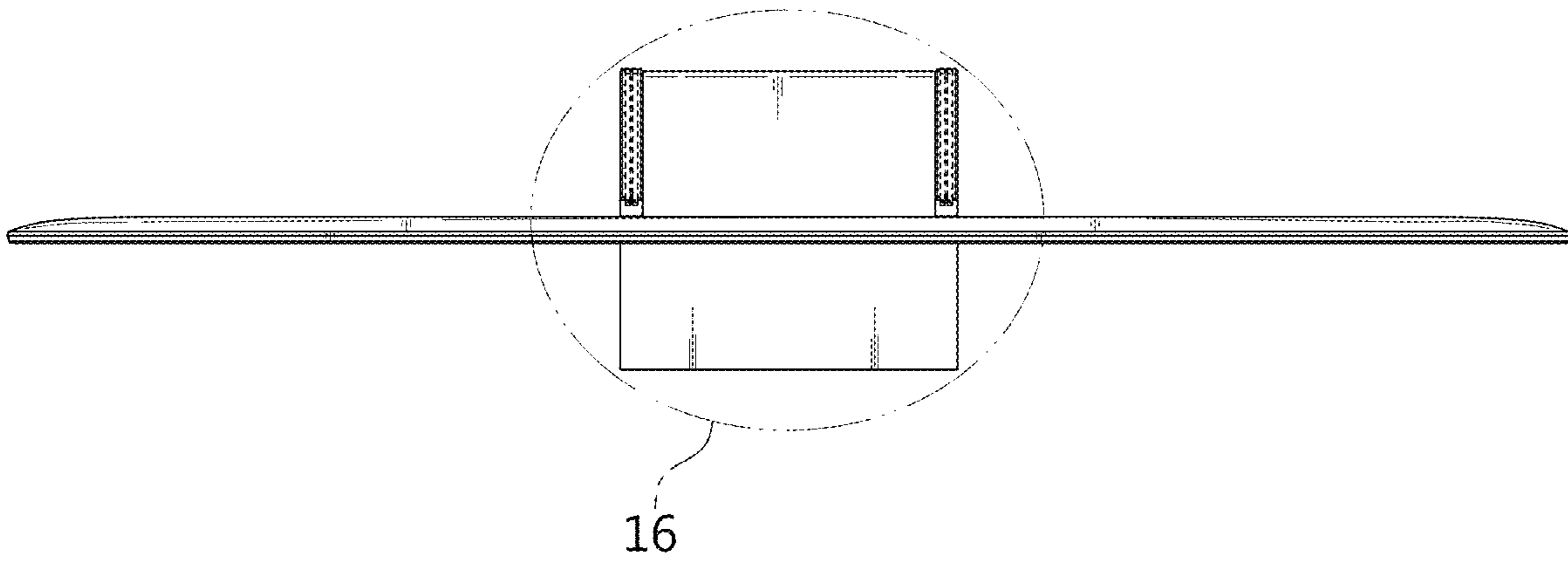




FIG. 7

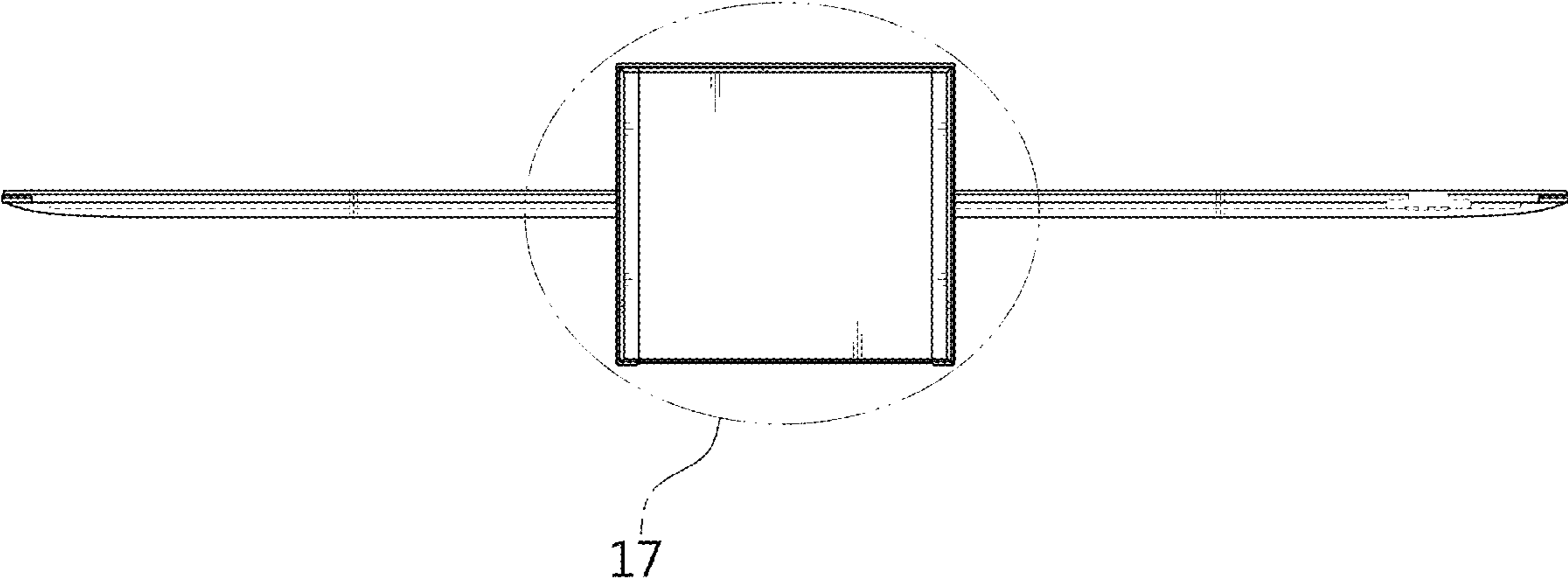


FIG. 8

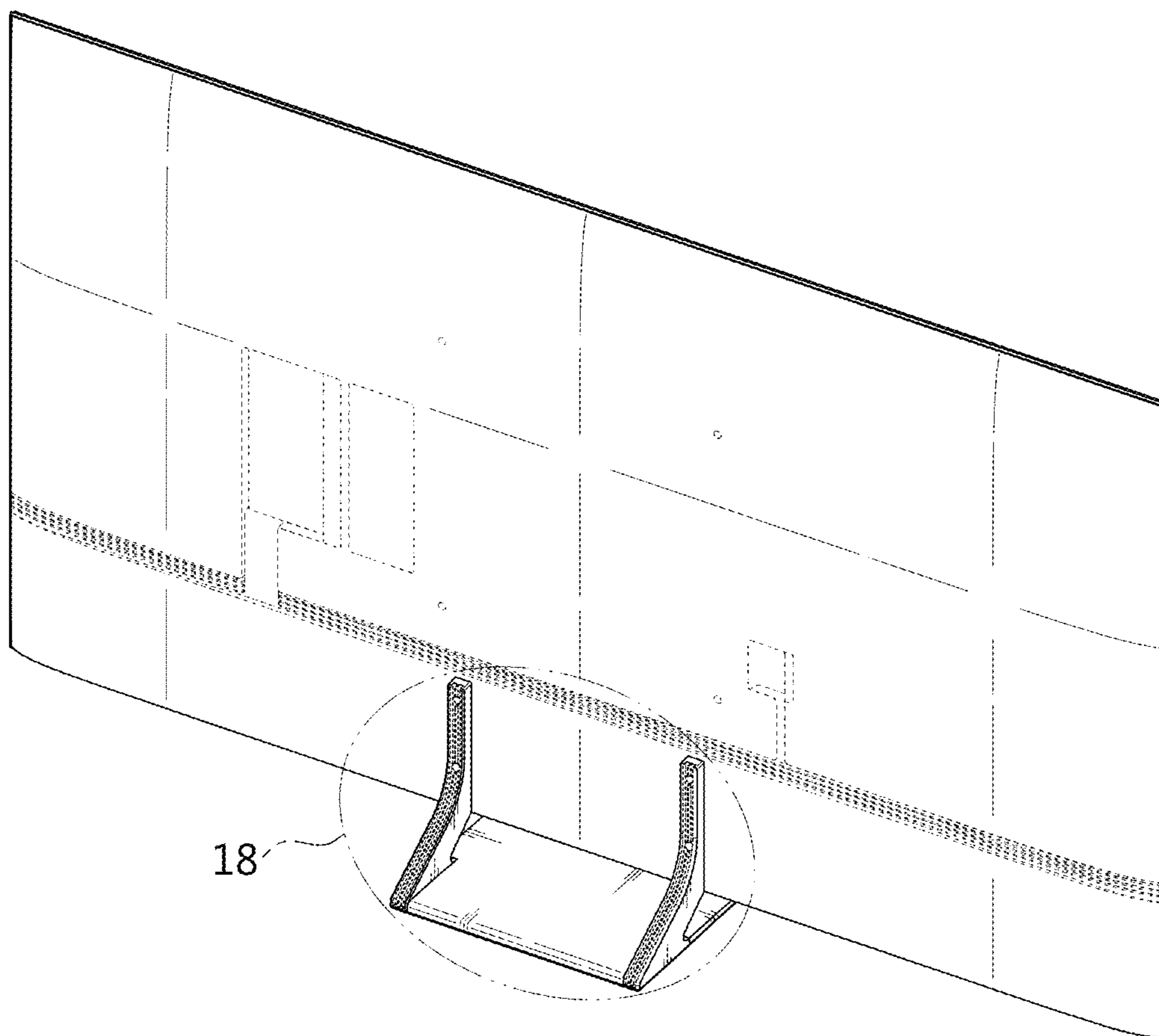


FIG. 9

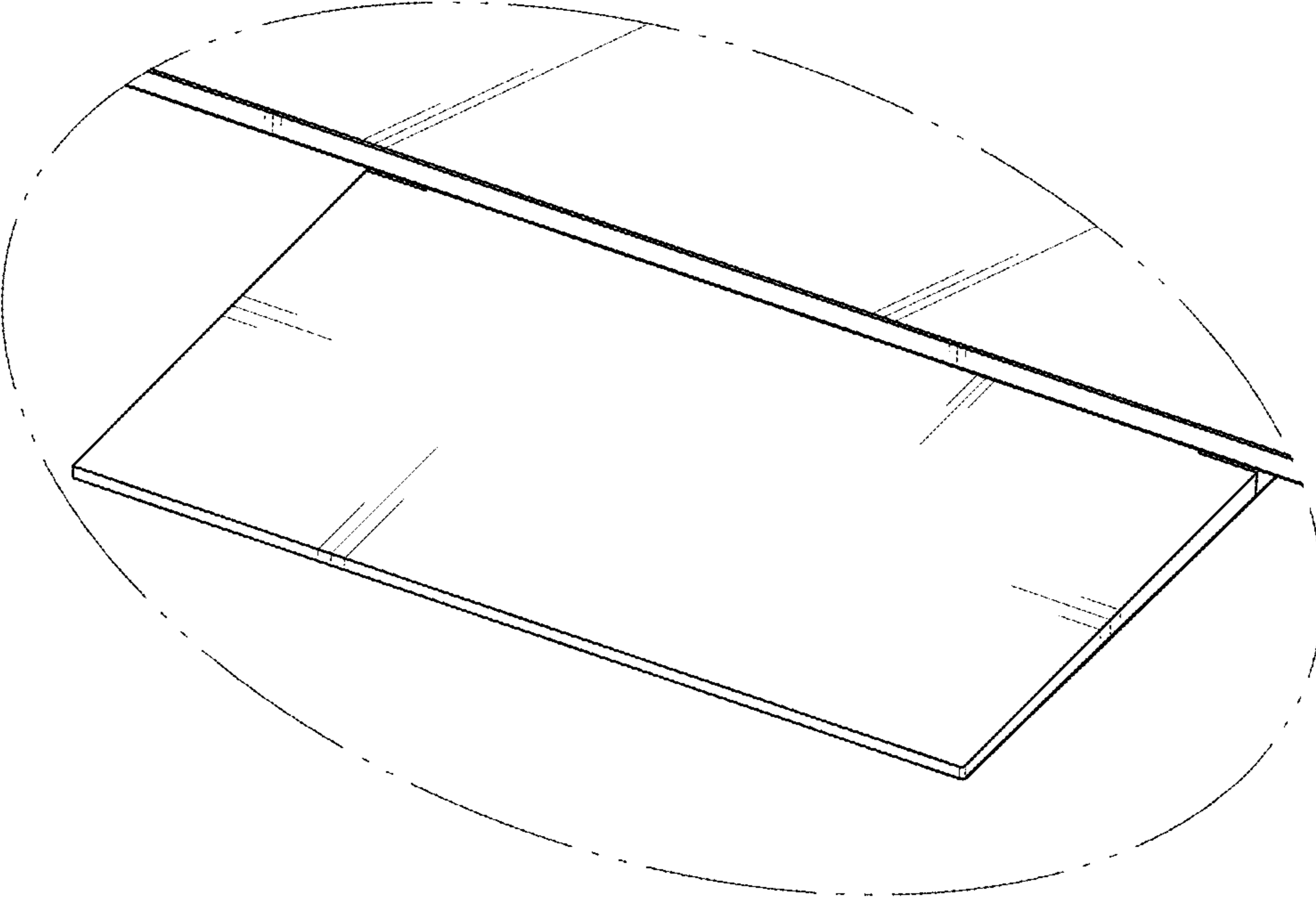


FIG. 10

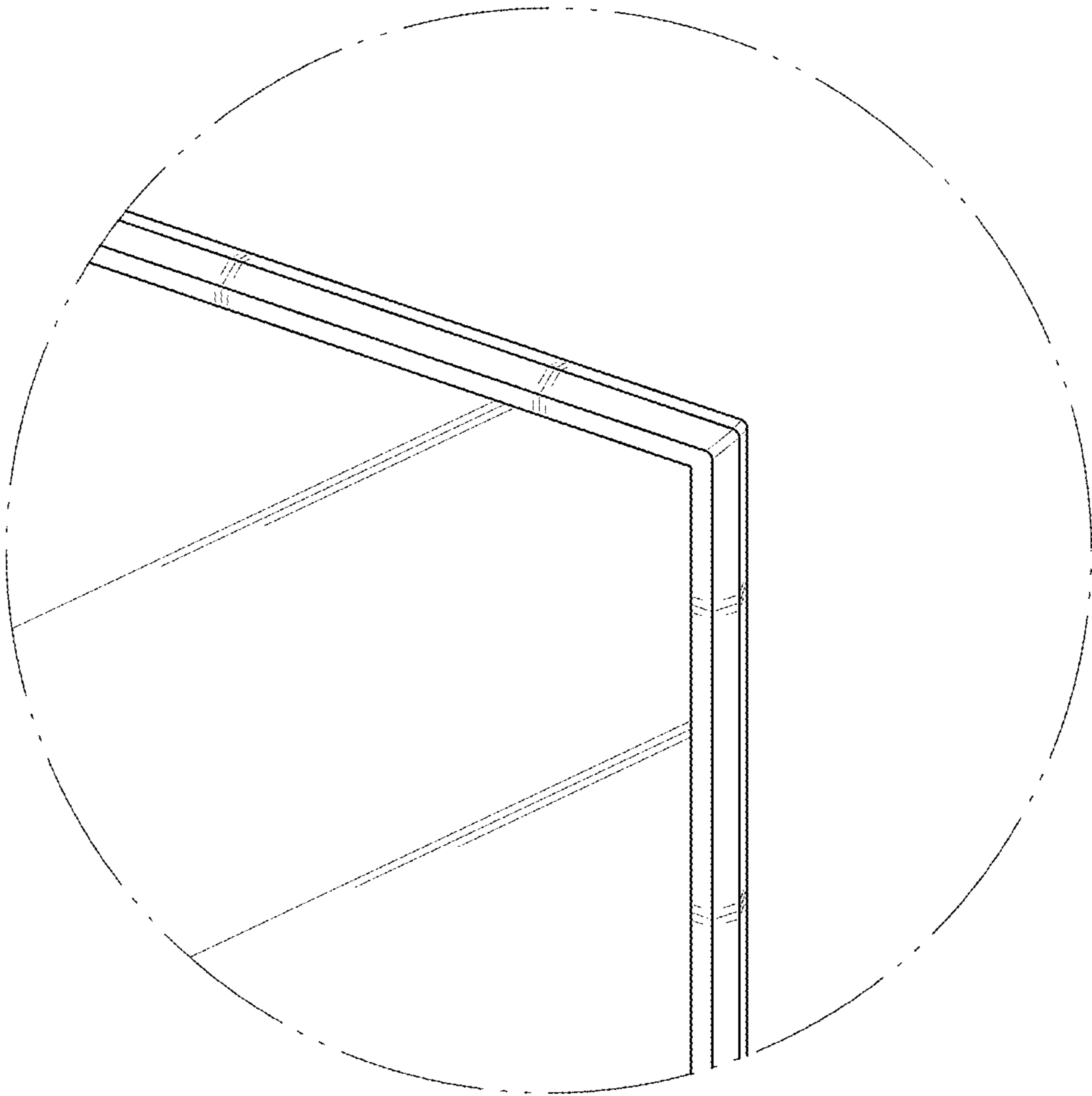


FIG. 11

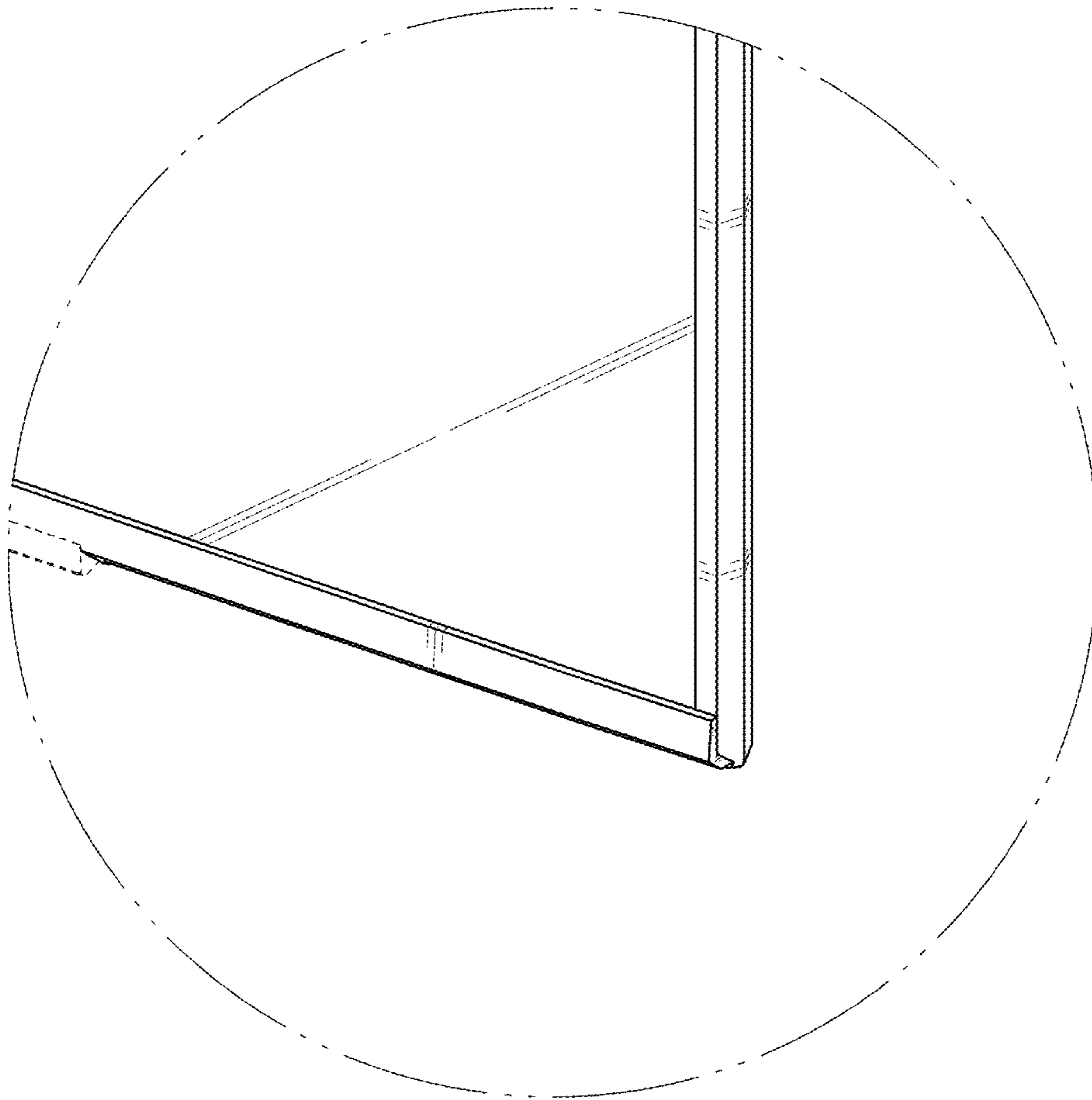


FIG. 12

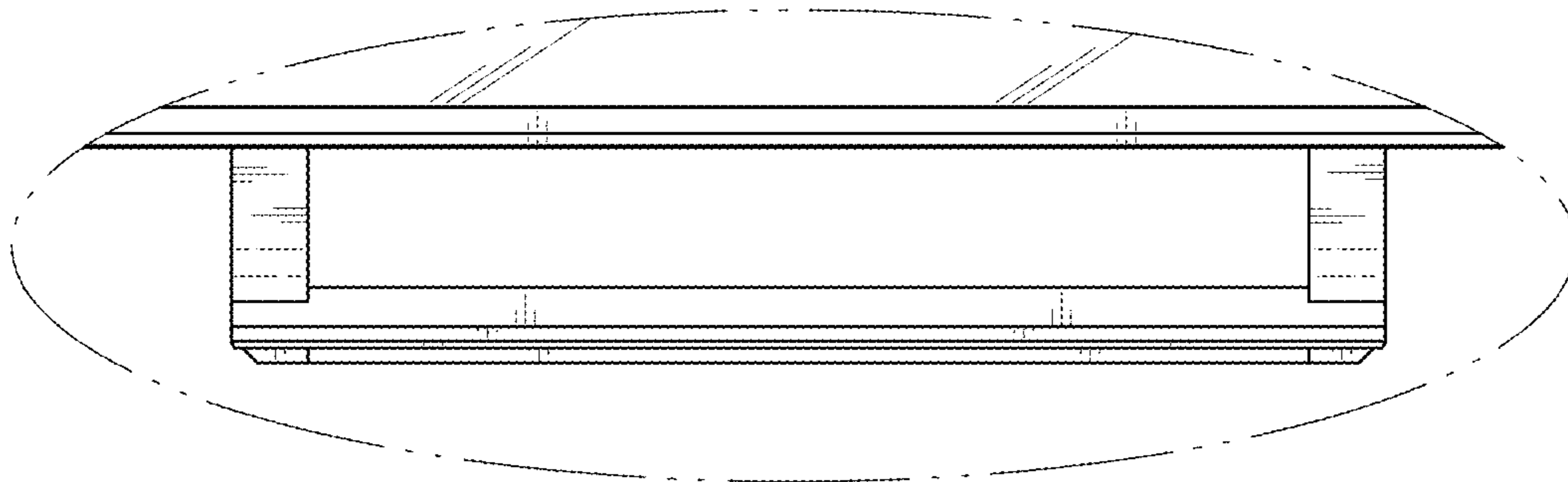


FIG. 13

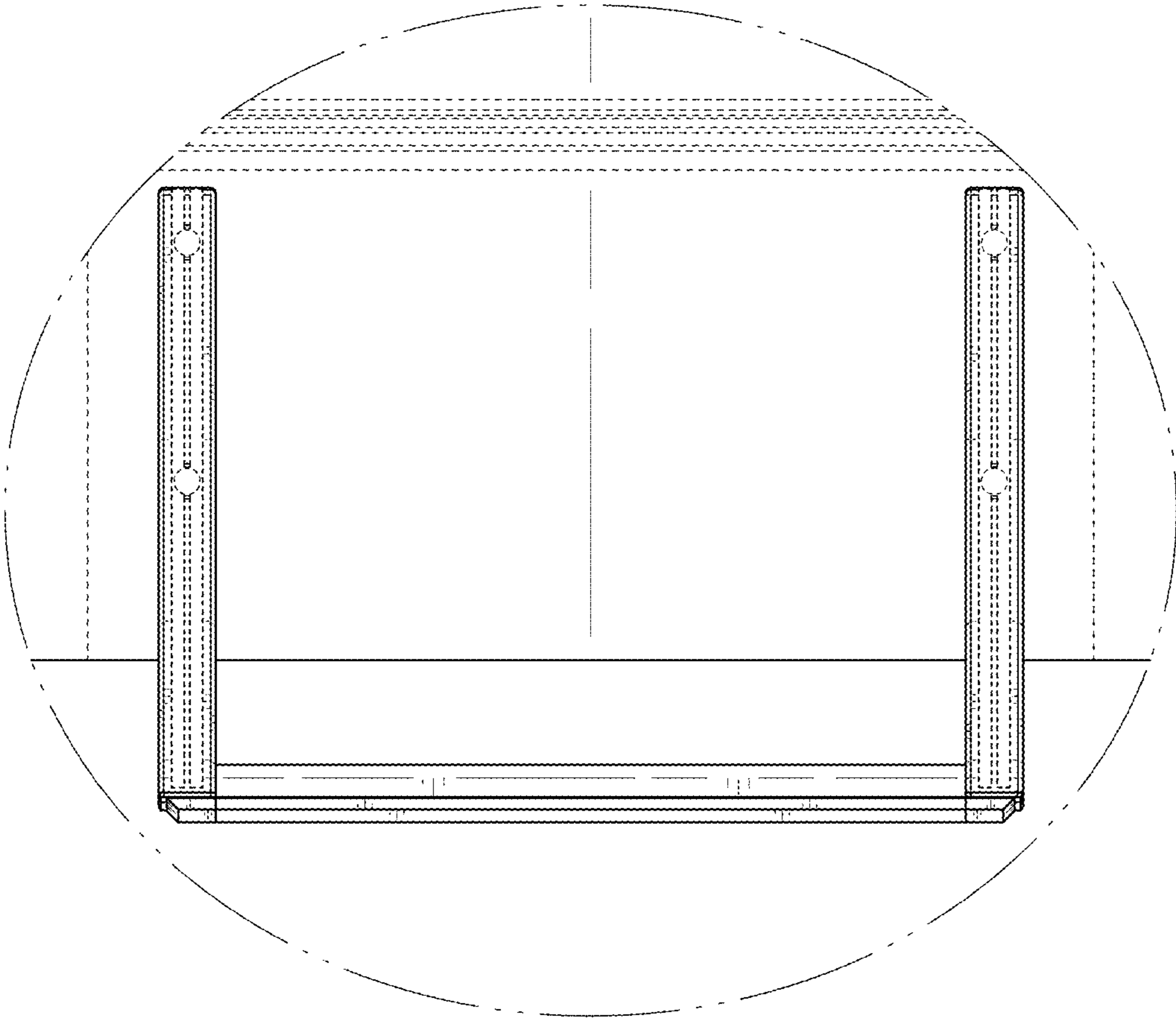


FIG. 14

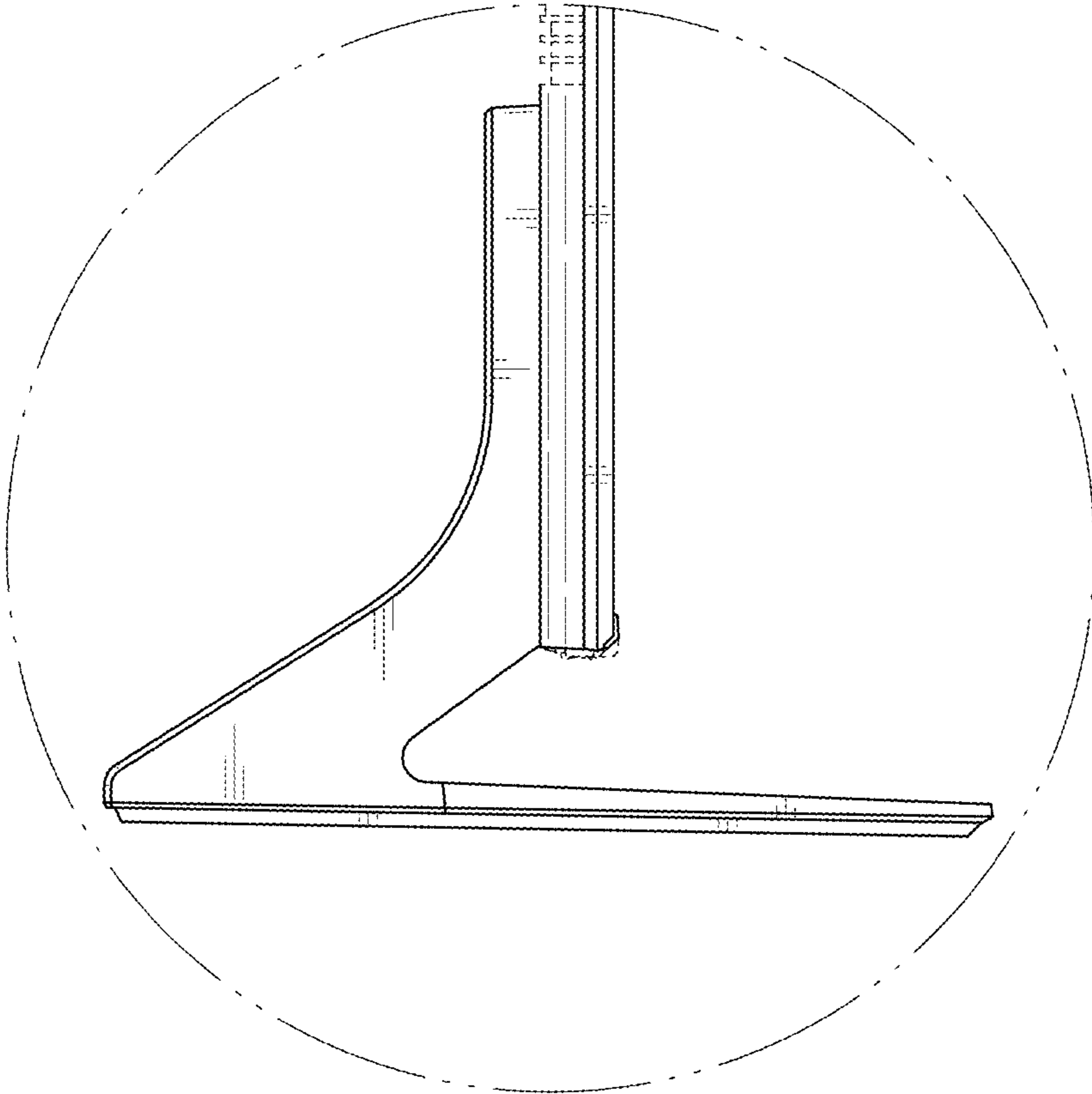




FIG. 15

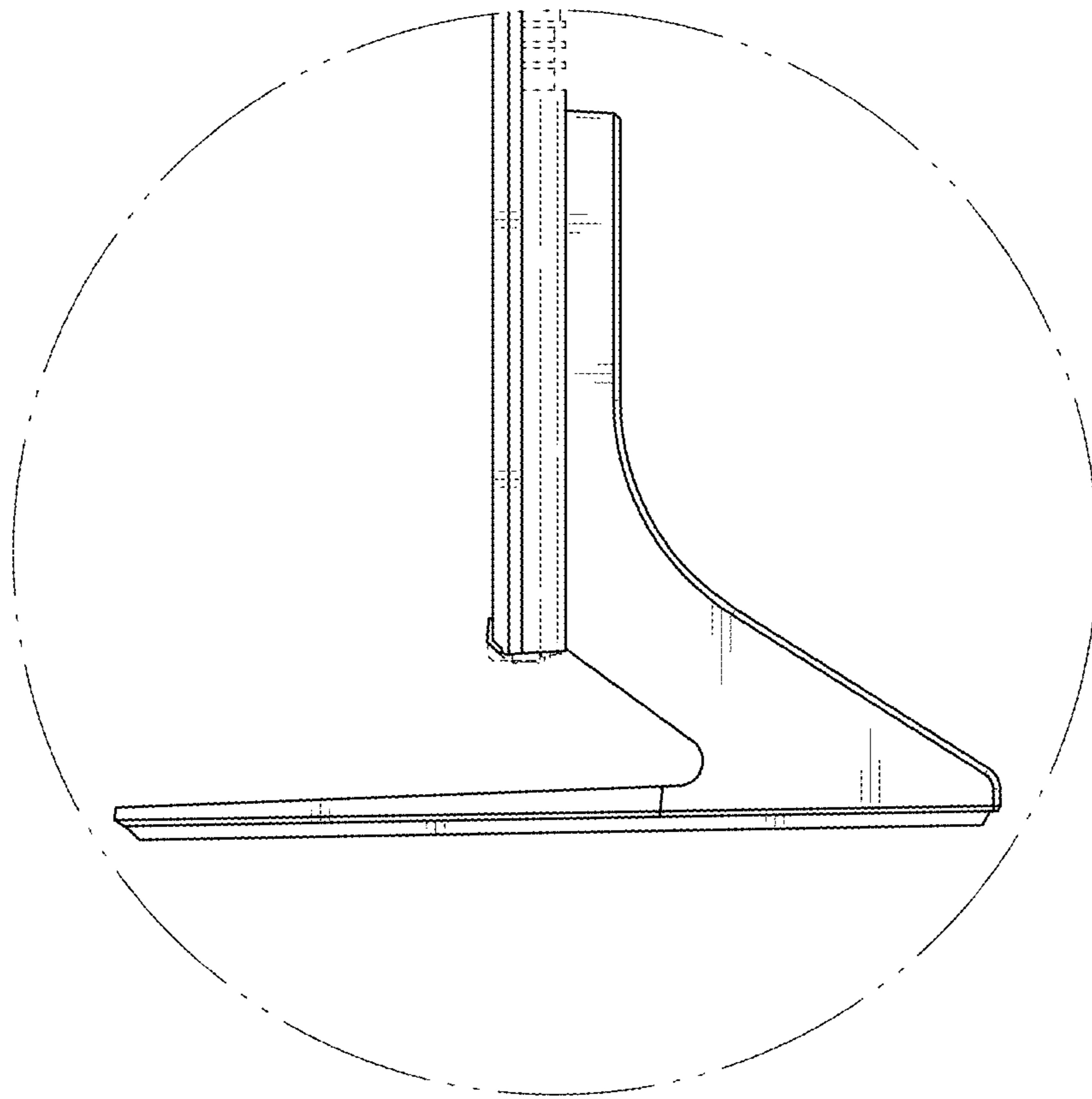


FIG. 16

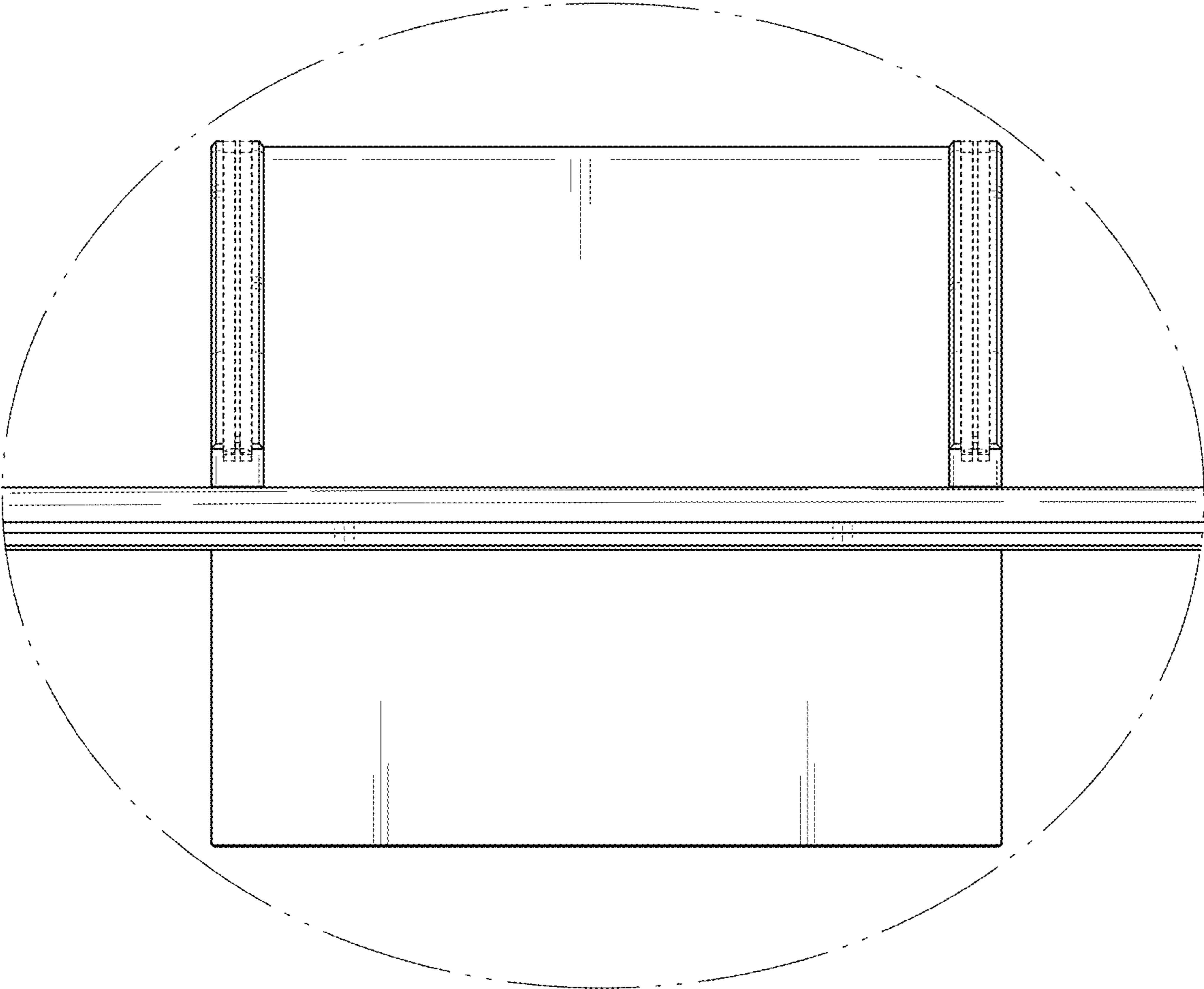


FIG. 17

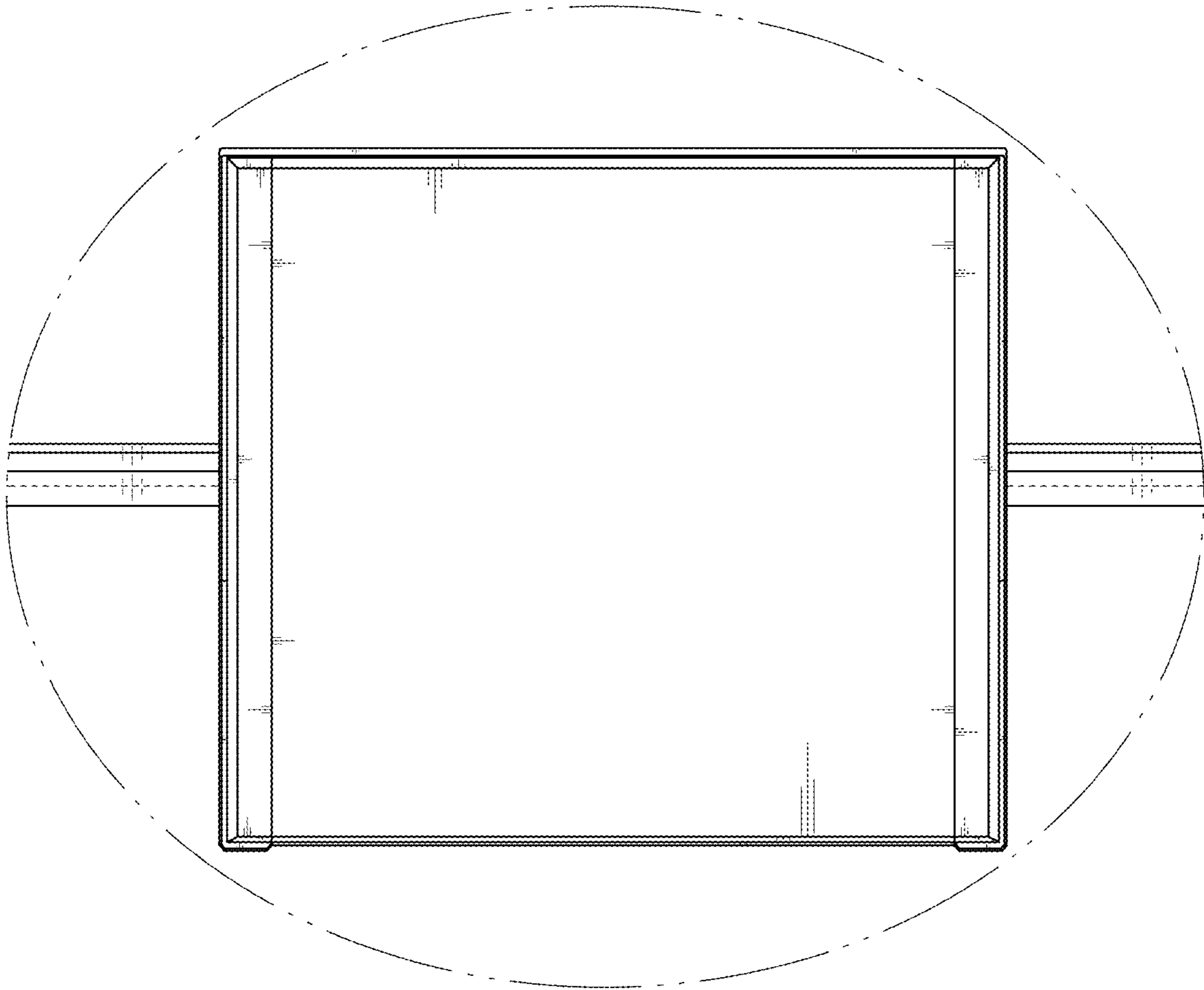


FIG. 18

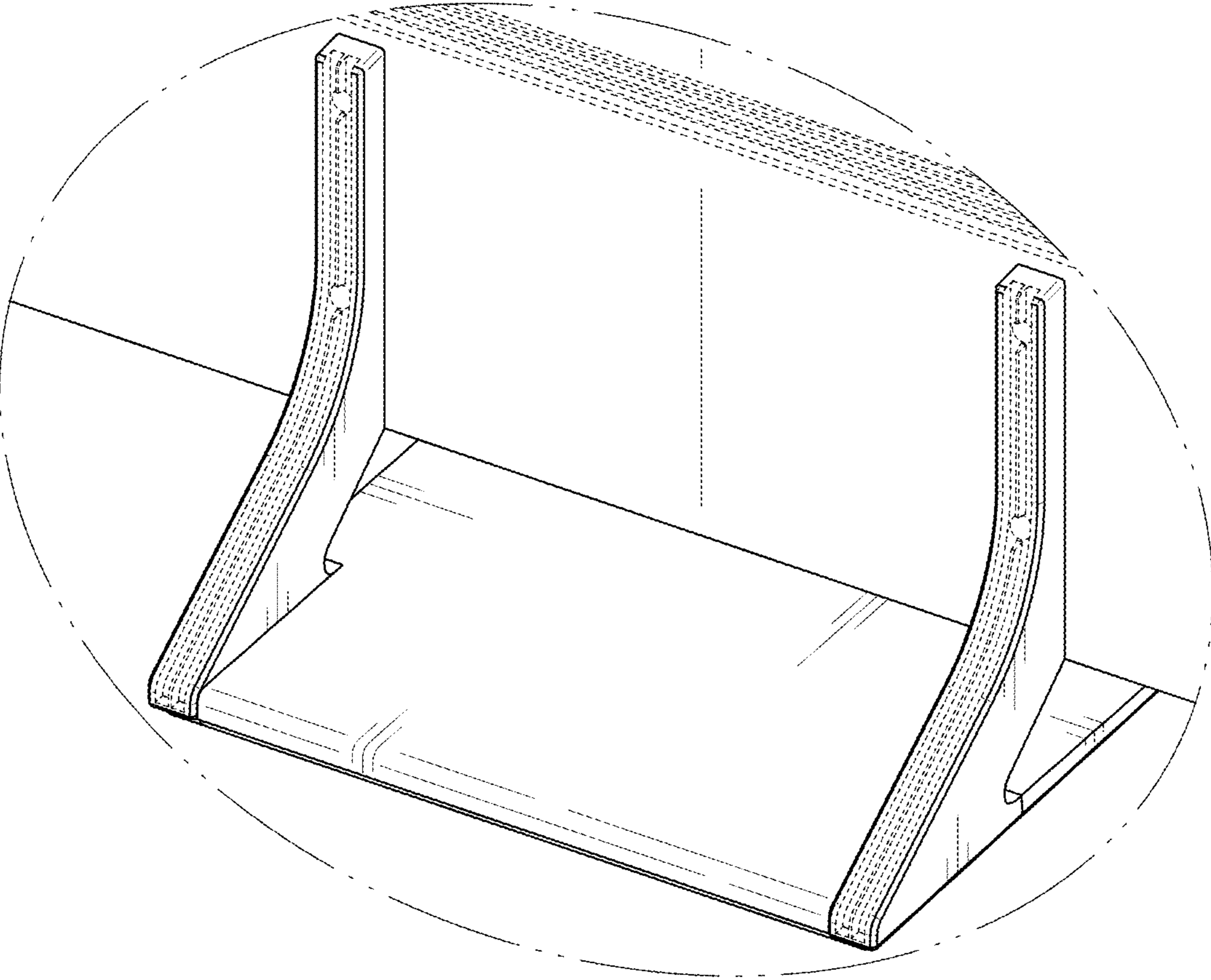


FIG. 19

