



US00D978097S

(12) **United States Design Patent** (10) **Patent No.:** **US D978,097 S**
Lee et al. (45) **Date of Patent:** **** Feb. 14, 2023**

(54) **TELEVISION RECEIVER**

(71) Applicant: **SAMSUNG ELECTRONICS CO., LTD.**, Suwon-si (KR)
(72) Inventors: **Jaeneung Lee**, Suwon-si (KR); **Chulyong Cho**, Suwon-si (KR); **Diana Minsun Kang**, Suwon-si (KR)
(73) Assignee: **SAMSUNG ELECTRONICS CO., LTD.**, Gyeonggi-Do (KR)

(**) Term: **15 Years**
(21) Appl. No.: **29/787,164**
(22) Filed: **Jun. 4, 2021**

(30) **Foreign Application Priority Data**

Dec. 8, 2020 (KR) 30-2020-0060333
(51) **LOC (14) Cl.** **14-03**
(52) **U.S. Cl.**
USPC **D14/126; D14/239**
(58) **Field of Classification Search**
USPC D14/125-135, 239, 371, 136, 374-377, D14/440, 450, 448, 336, 342, 159, 251,
(Continued)

(56) **References Cited**

U.S. PATENT DOCUMENTS

3,625,462 A * 12/1971 Jordan F16B 12/44
403/189
D324,615 S * 3/1992 Diffrient D6/709
(Continued)

FOREIGN PATENT DOCUMENTS

EM 006083937-0001 1/2019
EM 007542386-0001 1/2020
(Continued)

OTHER PUBLICATIONS

The Frame QLED, first available May 9, 2021 [online], [retrieved Sep. 1, 2022]. Available from the Internet, URL:<https://a.co/d/cqplDC3>. (Year: 2021).*

(Continued)

Primary Examiner — Dana K Weiland
Assistant Examiner — Russell Carnell Smith, Jr.
(74) *Attorney, Agent, or Firm* — Cantor Colburn LLP

(57) **CLAIM**

The ornamental design for a television receiver, as shown and described.

DESCRIPTION

FIG. 1 is a front perspective view of a television receiver, showing our new design;
FIG. 2 is a front view thereof;
FIG. 3 is a rear view thereof;
FIG. 4 is a left-side view thereof;
FIG. 5 is a right-side view thereof;
FIG. 6 is a top view thereof;
FIG. 7 is a bottom view thereof;
FIG. 8 is a rear perspective view thereof;
FIG. 9 is an enlarged view of the portion 9 in FIG. 1;
FIG. 10 is an enlarged view of the portion 10 in FIG. 2;
FIG. 11 is an enlarged view of the portion 11 in FIG. 3;
FIG. 12 is an enlarged view of the portion 12 in FIG. 4;
FIG. 13 is an enlarged view of the portion 13 in FIG. 6;
FIG. 14 is an enlarged view of the portion 14 in FIG. 7; and,
FIG. 15 is an enlarged view of the portion 15 in FIG. 8.
The even-dash broken lines illustrating portions of the television receiver form no part of the claimed design. The dot-dot-dash broken lines encircling enlargement portions of the claimed design form no part of the claimed design.

1 Claim, 15 Drawing Sheets

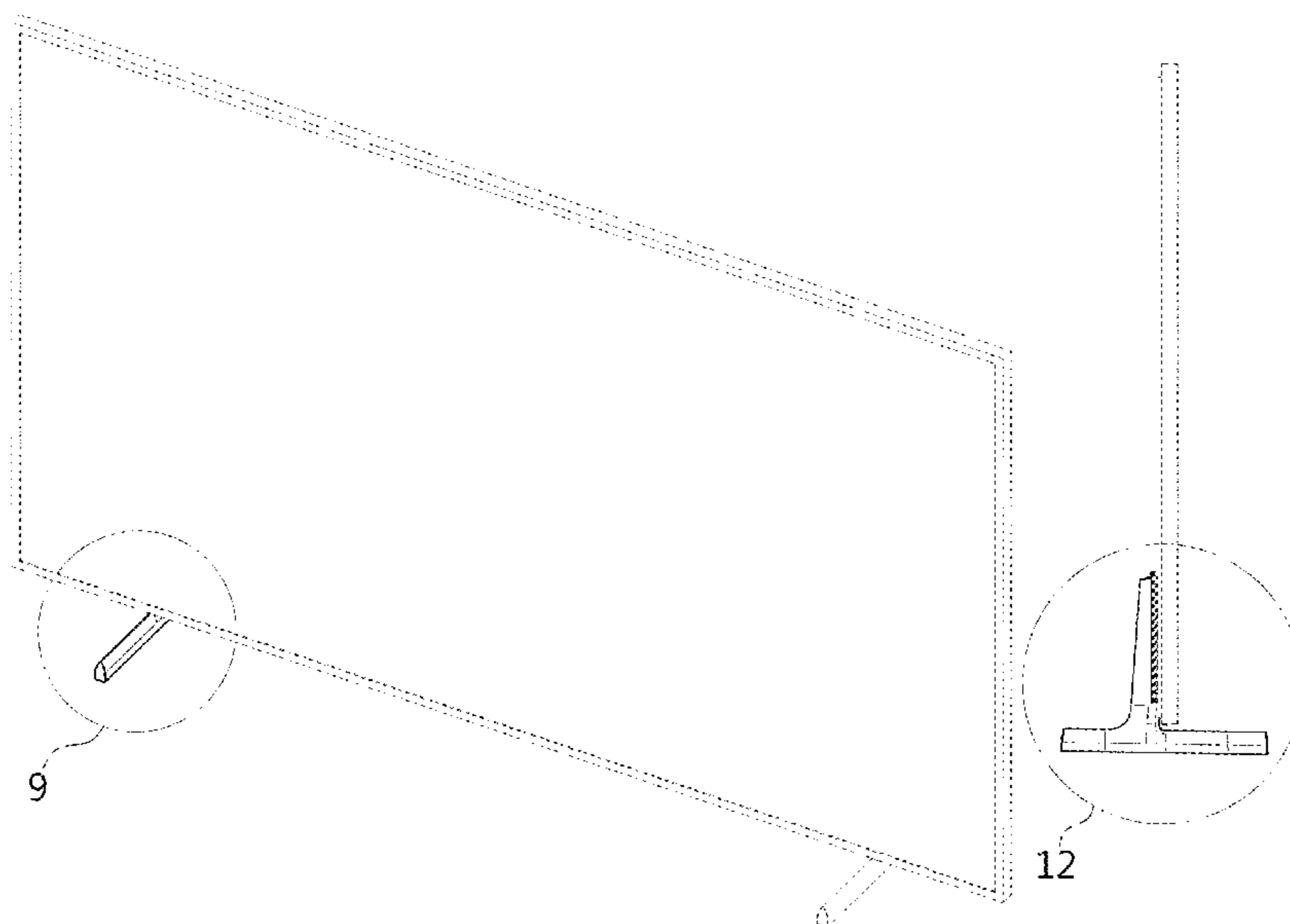


FIG. 1

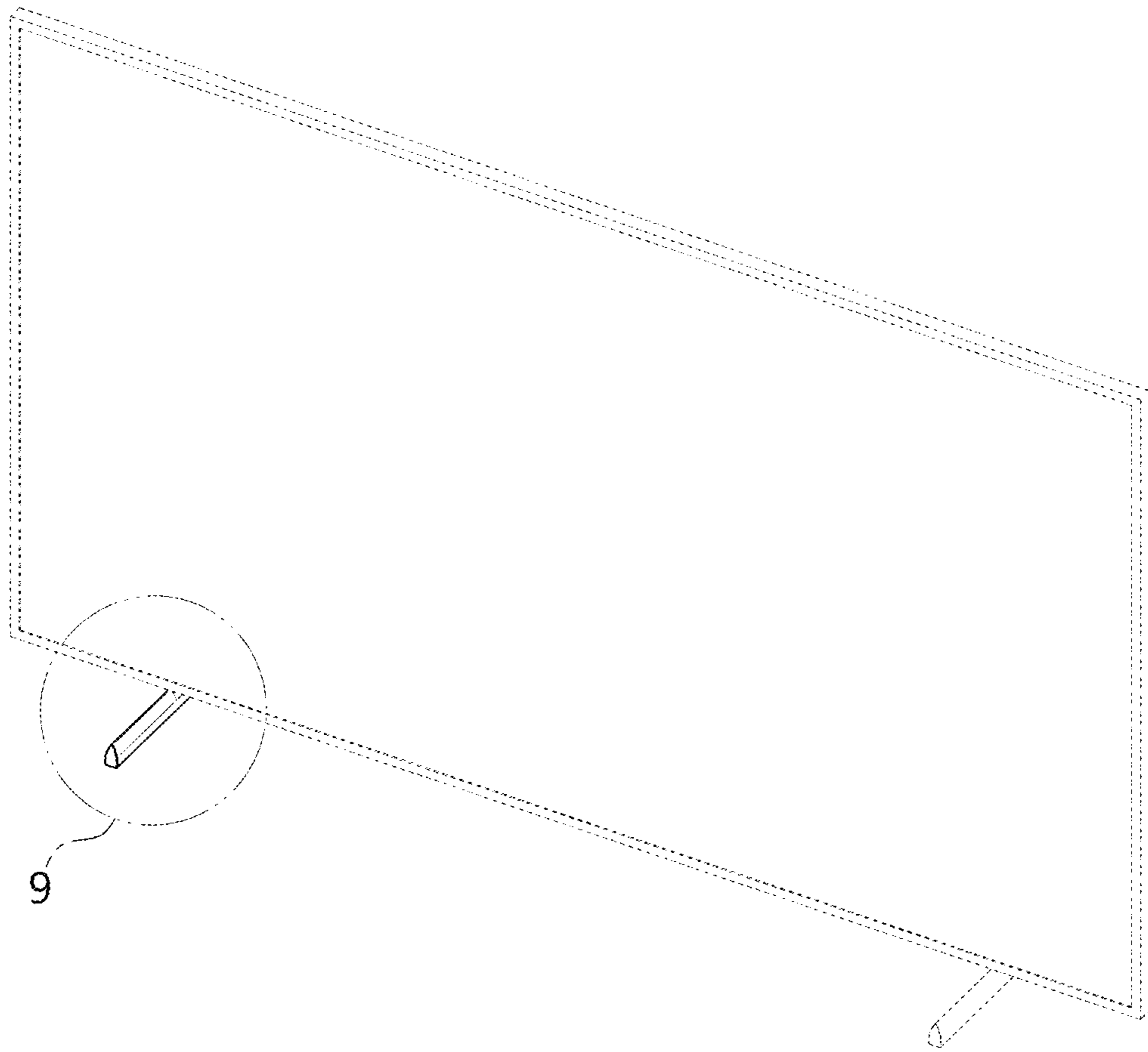


FIG. 2

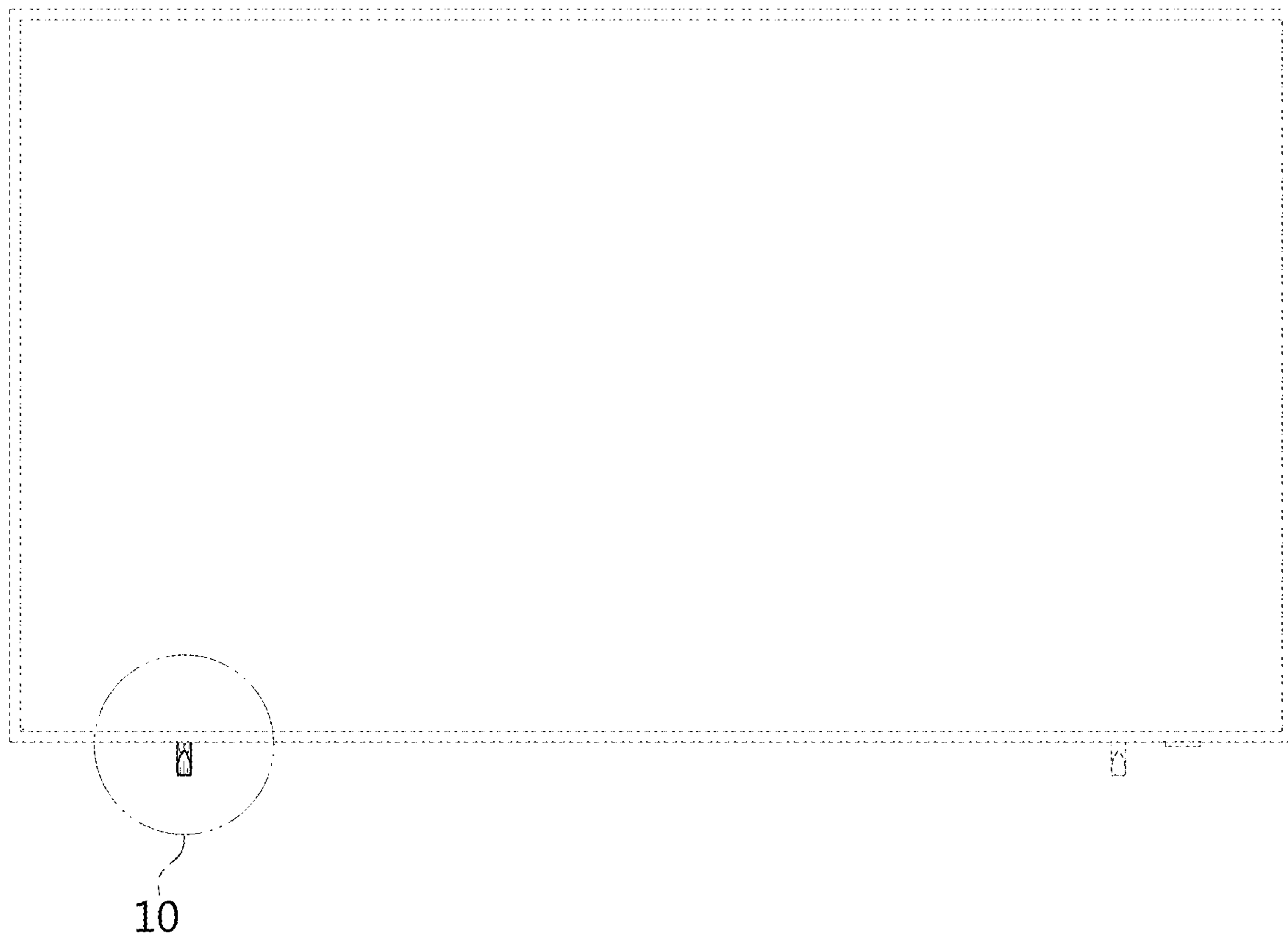


FIG. 3

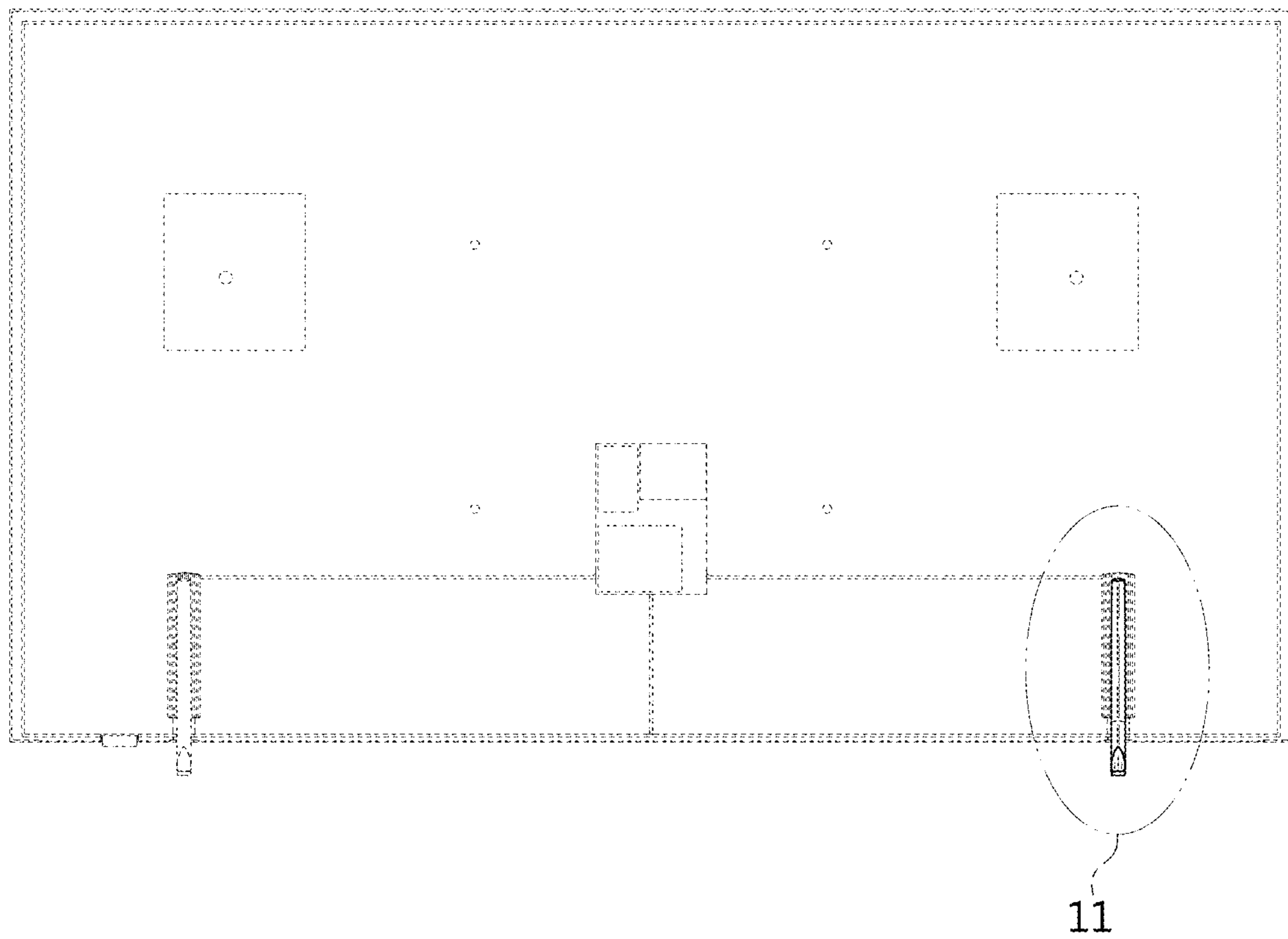


FIG. 4

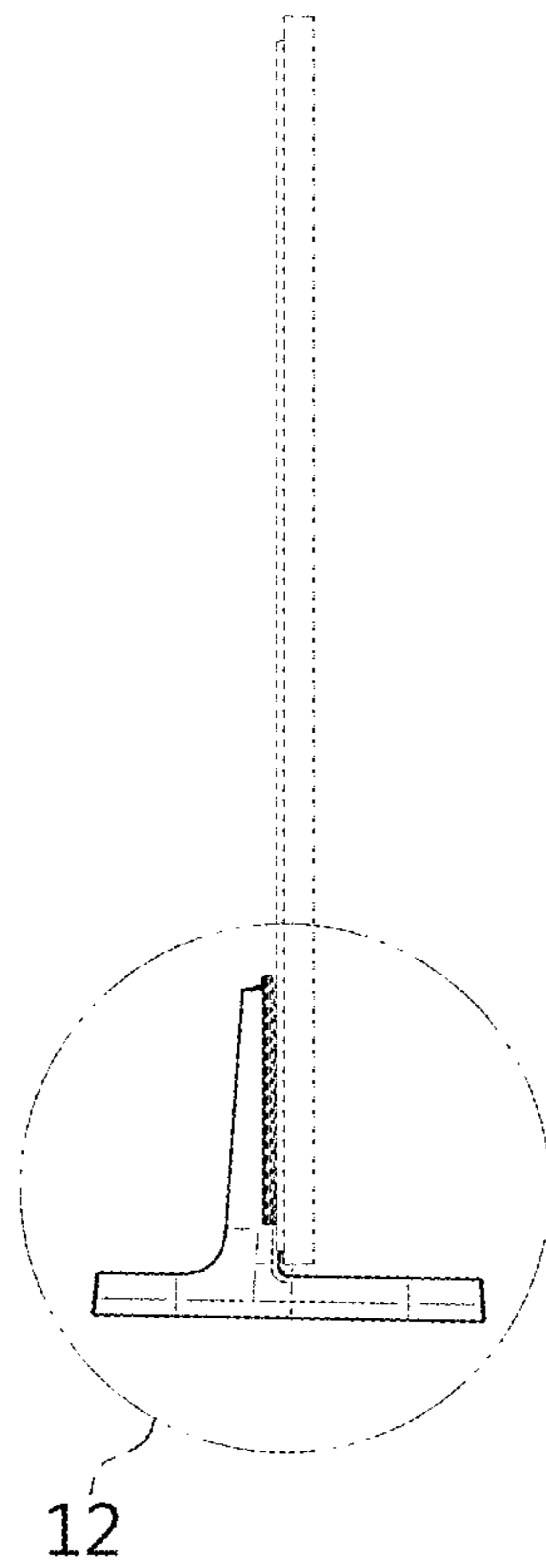


FIG. 5

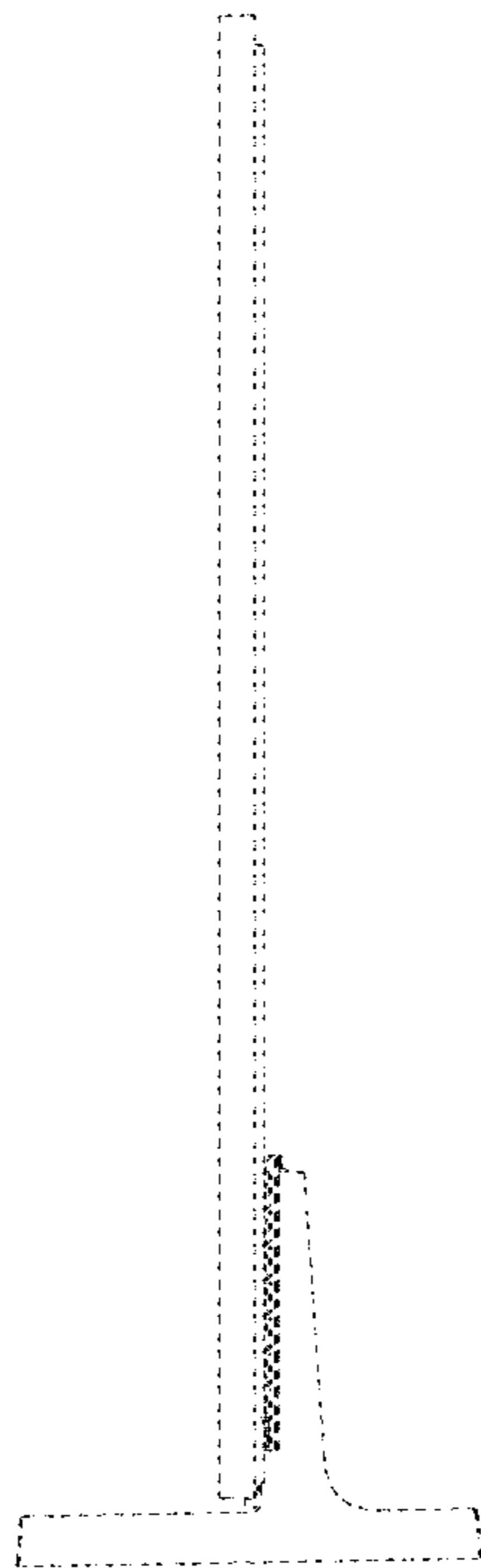


FIG. 6



FIG. 7

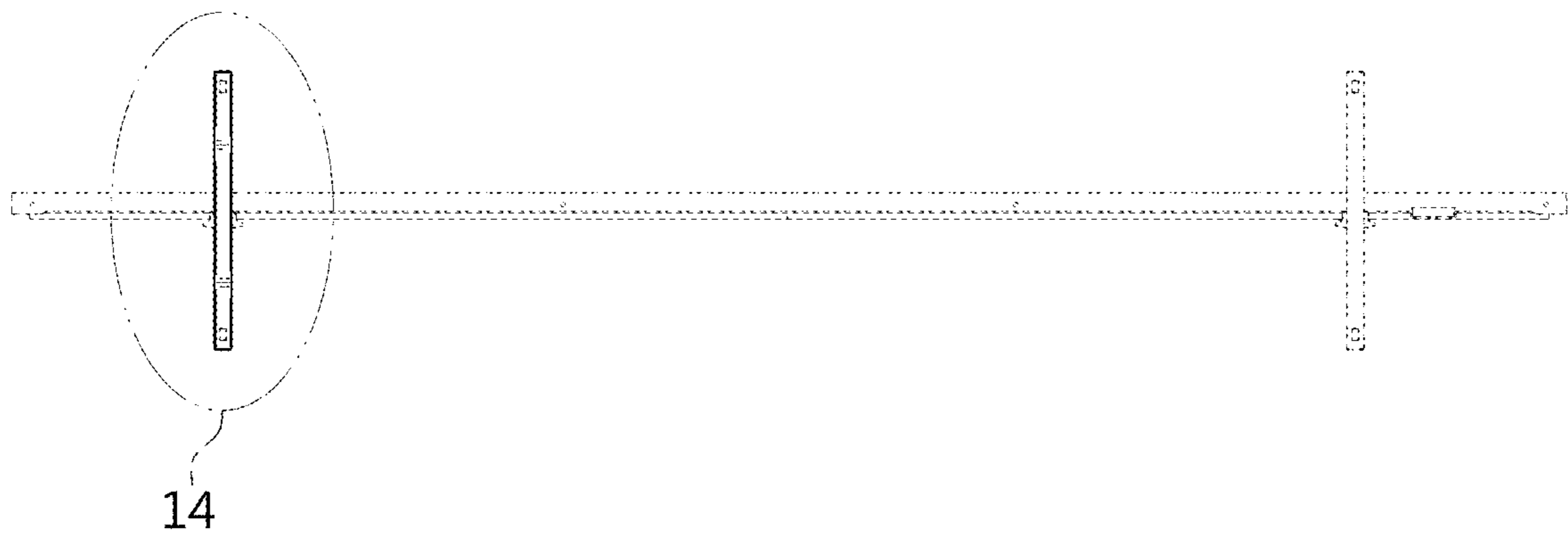


FIG. 8

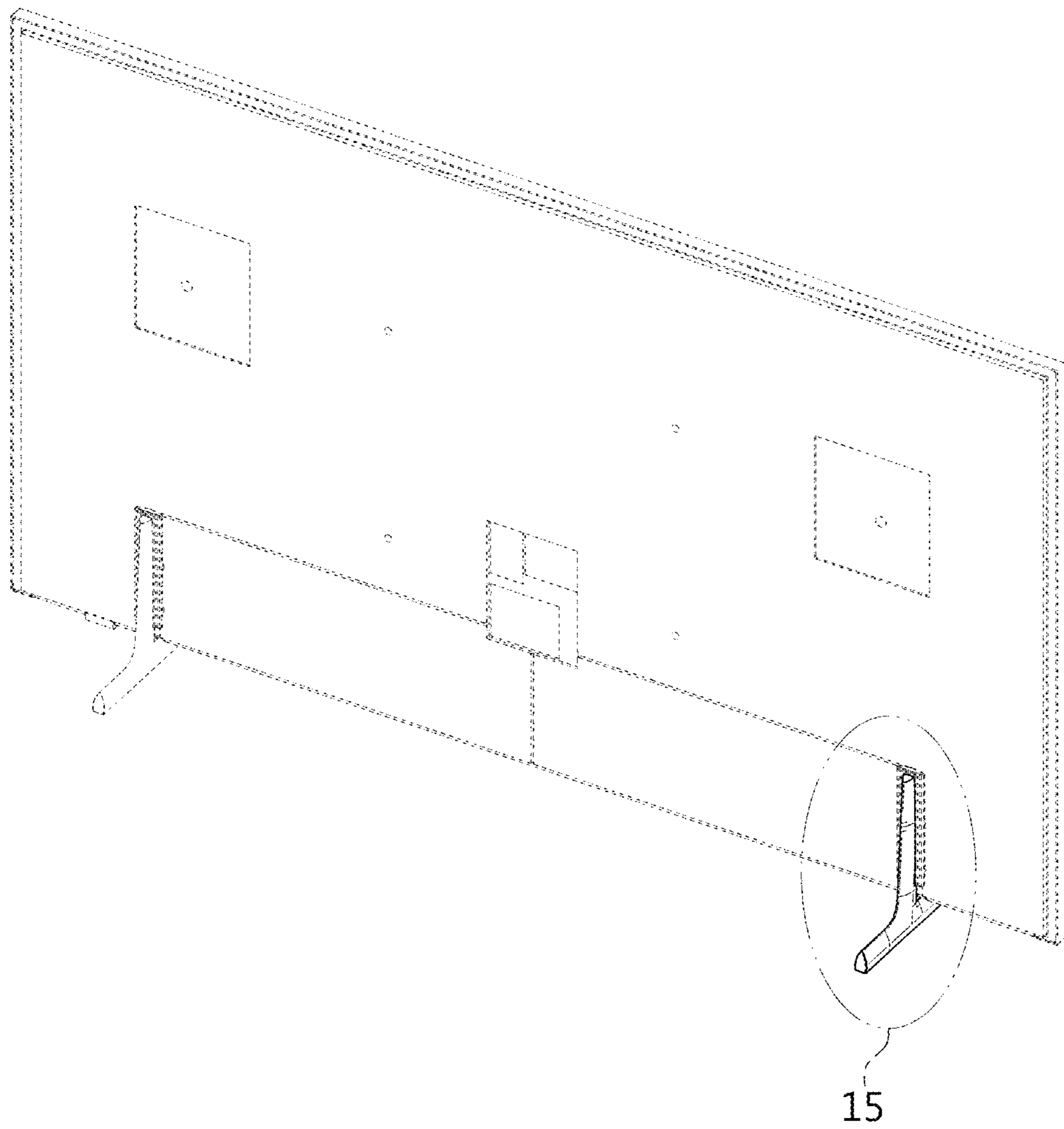


FIG. 9

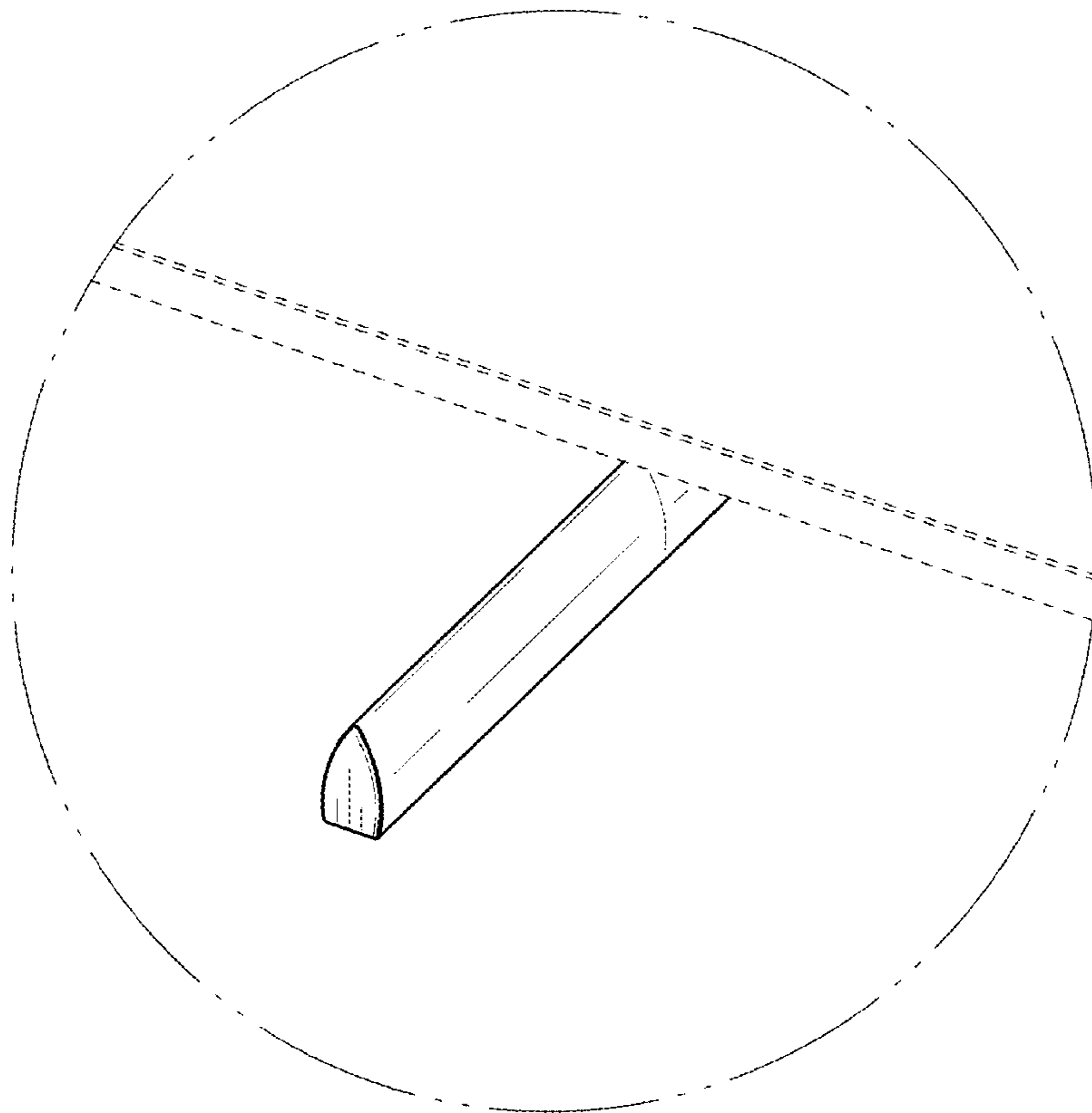


FIG. 10

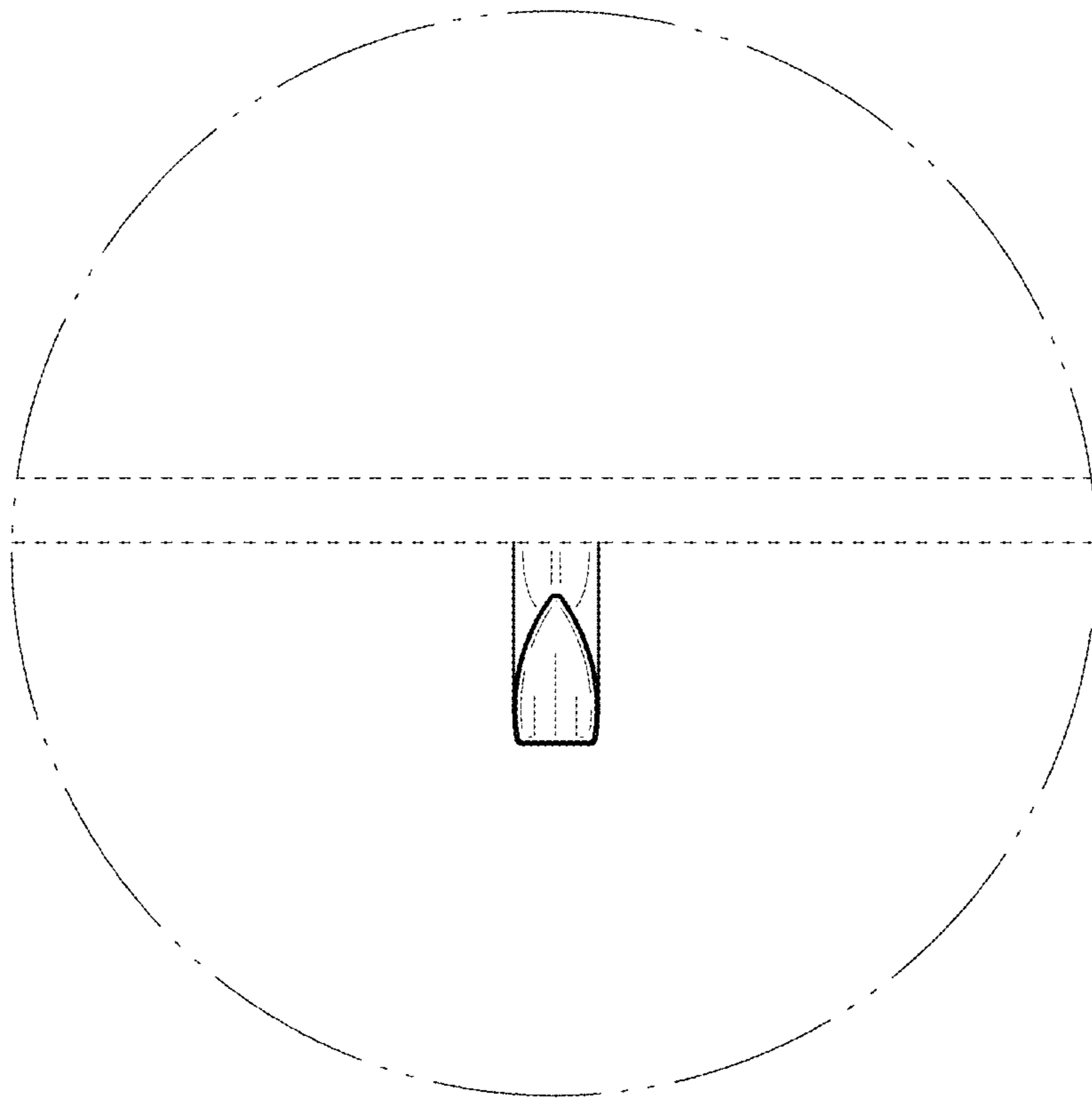


FIG. 11

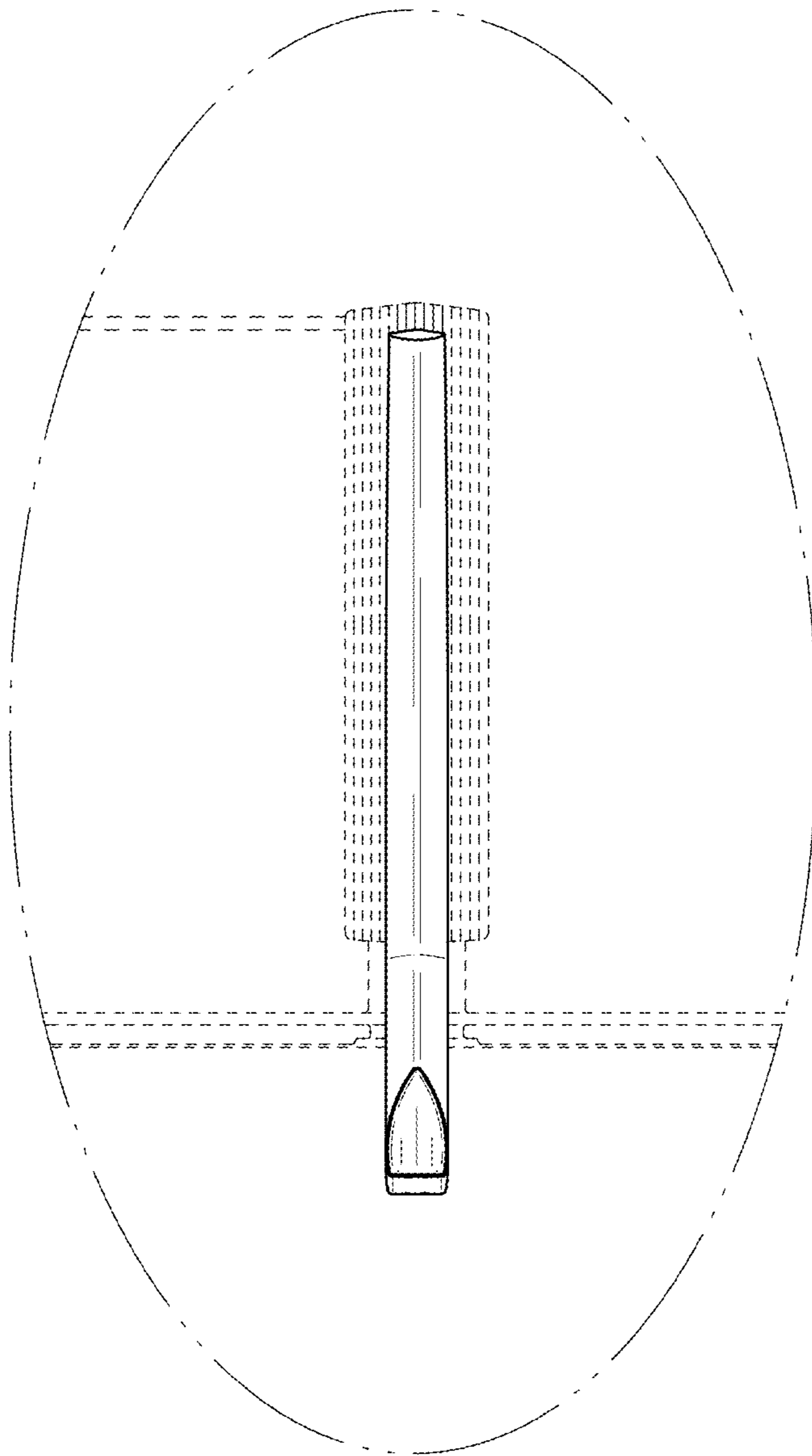


FIG. 12

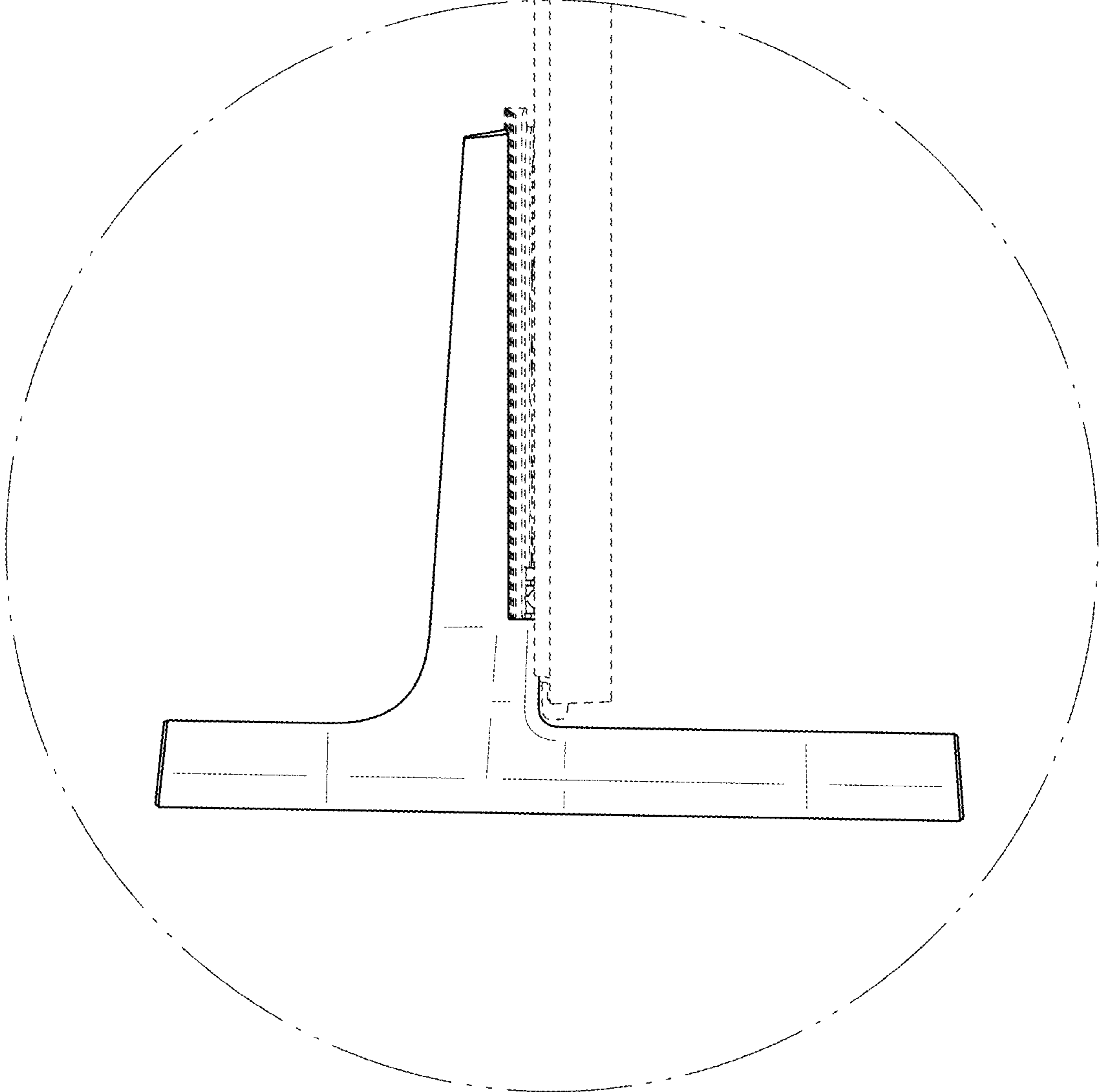


FIG. 13

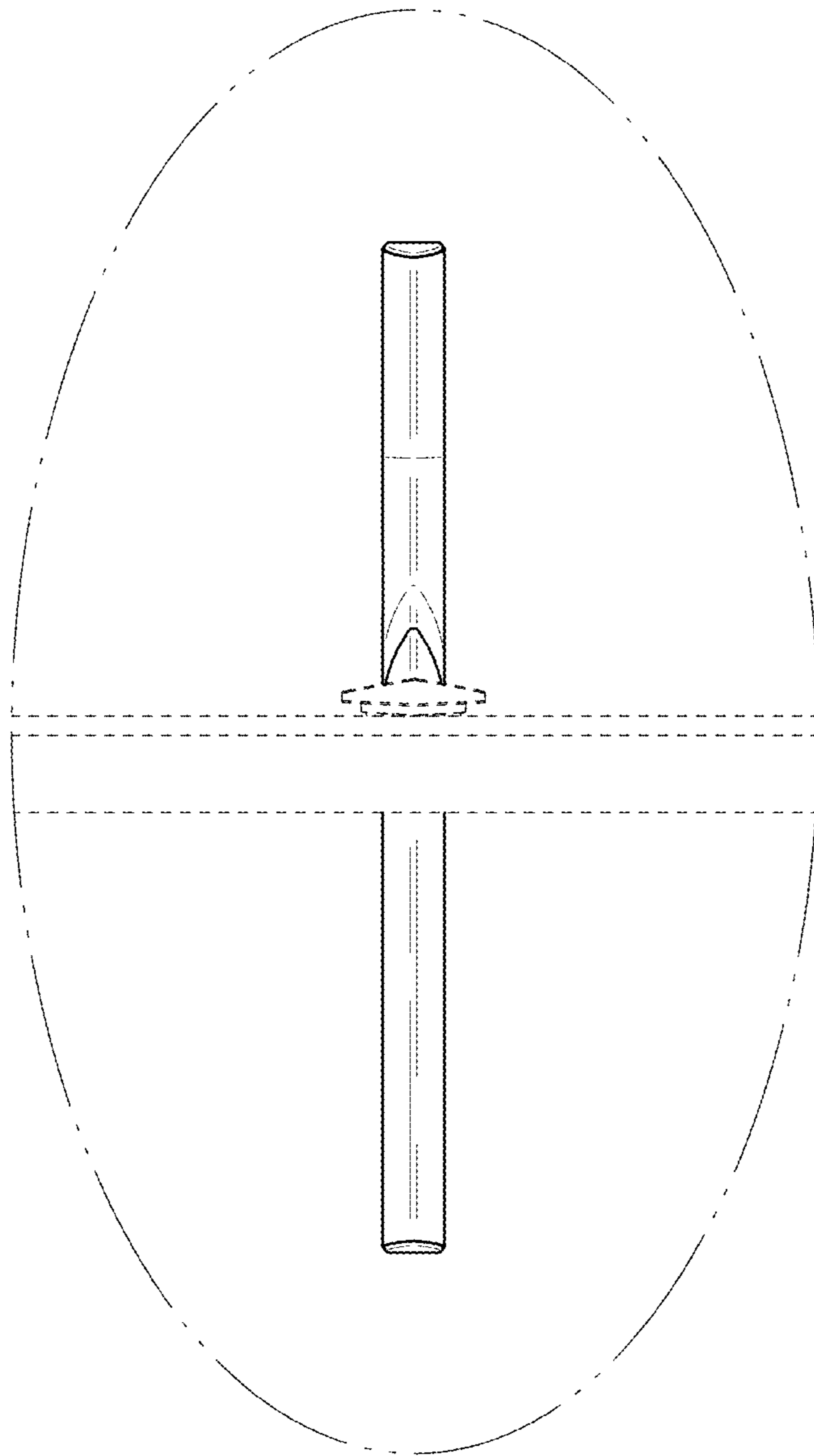


FIG. 14

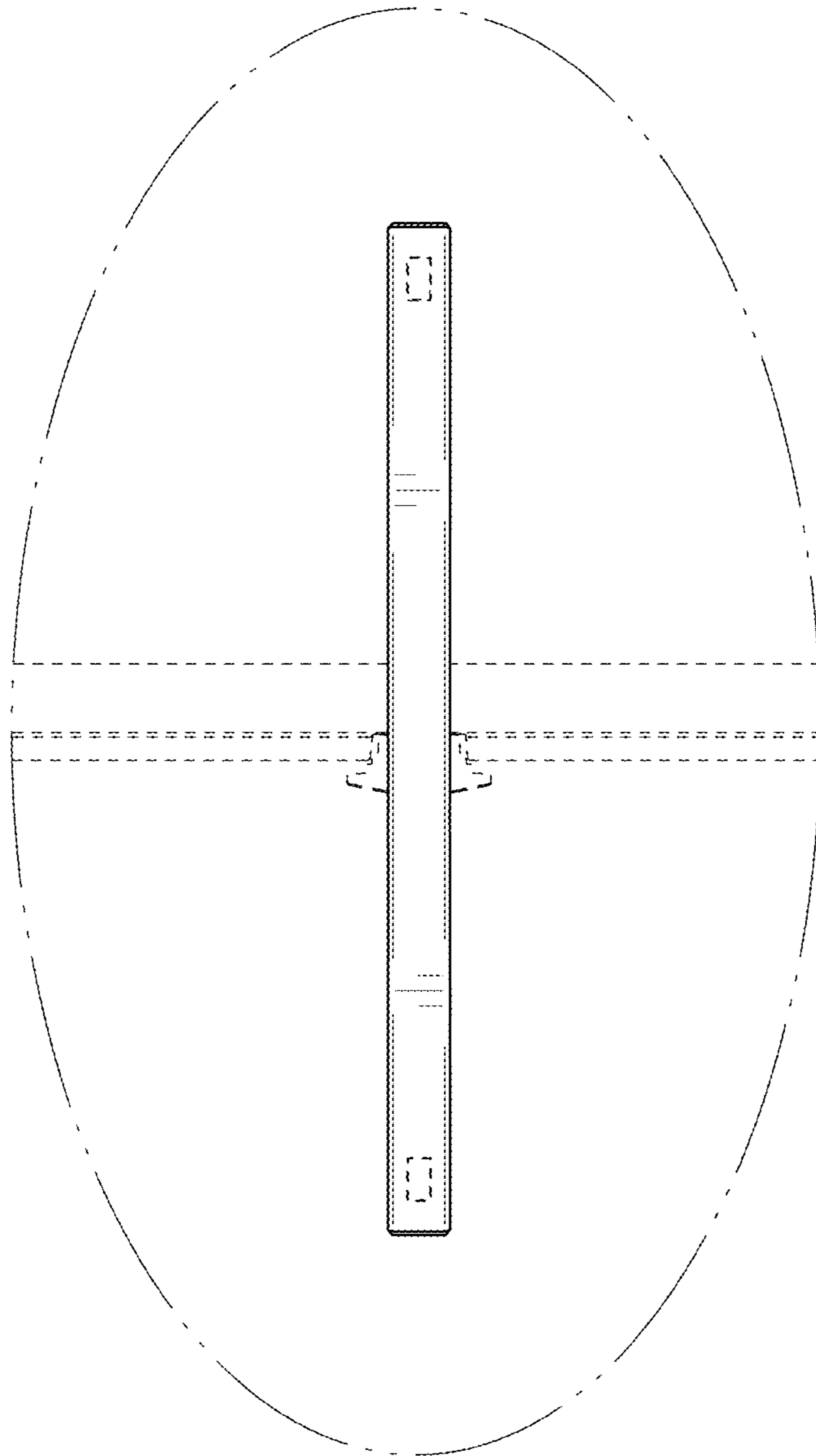


FIG. 15

