



US00D978096S

(12) **United States Design Patent**  
**Lee et al.**

(10) **Patent No.:** **US D978,096 S**  
(45) **Date of Patent:** **\*\* Feb. 14, 2023**

(54) **TELEVISION RECEIVER**

- (71) Applicant: **SAMSUNG ELECTRONICS CO., LTD.**, Suwon-si (KR)
- (72) Inventors: **Jaeneung Lee**, Suwon-si (KR); **Chulyong Cho**, Suwon-si (KR); **Diana Minsun Kang**, Suwon-si (KR)
- (73) Assignee: **SAMSUNG ELECTRONICS CO., LTD.**, Gyeonggi-Do (KR)
- (\*\*) Term: **15 Years**
- (21) Appl. No.: **29/787,157**
- (22) Filed: **Jun. 4, 2021**

(30) **Foreign Application Priority Data**

- Dec. 8, 2020 (KR) ..... 30-2020-0060332
- (51) **LOC (14) Cl.** ..... **14-03**
- (52) **U.S. Cl.**  
USPC ..... **D14/126**
- (58) **Field of Classification Search**  
USPC ..... D14/125-135, 239, 371, 136, 374-377,  
D14/440, 450, 448, 336, 342, 159, 251,  
(Continued)

(56) **References Cited**

**U.S. PATENT DOCUMENTS**

- D668,237 S 10/2012 Chino et al.
  - D695,245 S 12/2013 Hara et al.
- (Continued)

**FOREIGN PATENT DOCUMENTS**

- EM 006083937-0001 1/2019
  - EM 007542386-0001 1/2020
- (Continued)

**OTHER PUBLICATIONS**

The Frame QLED, first available May 9, 2021 [online], [retrieved Sep. 1, 2022]. Available from the Internet, URL:<<https://a.co/d/cqpIDC3>>. (Year: 2021).\*

(Continued)

*Primary Examiner* — Dana K Weiland

*Assistant Examiner* — Russell Carnell Smith, Jr.

(74) *Attorney, Agent, or Firm* — Cantor Colburn LLP

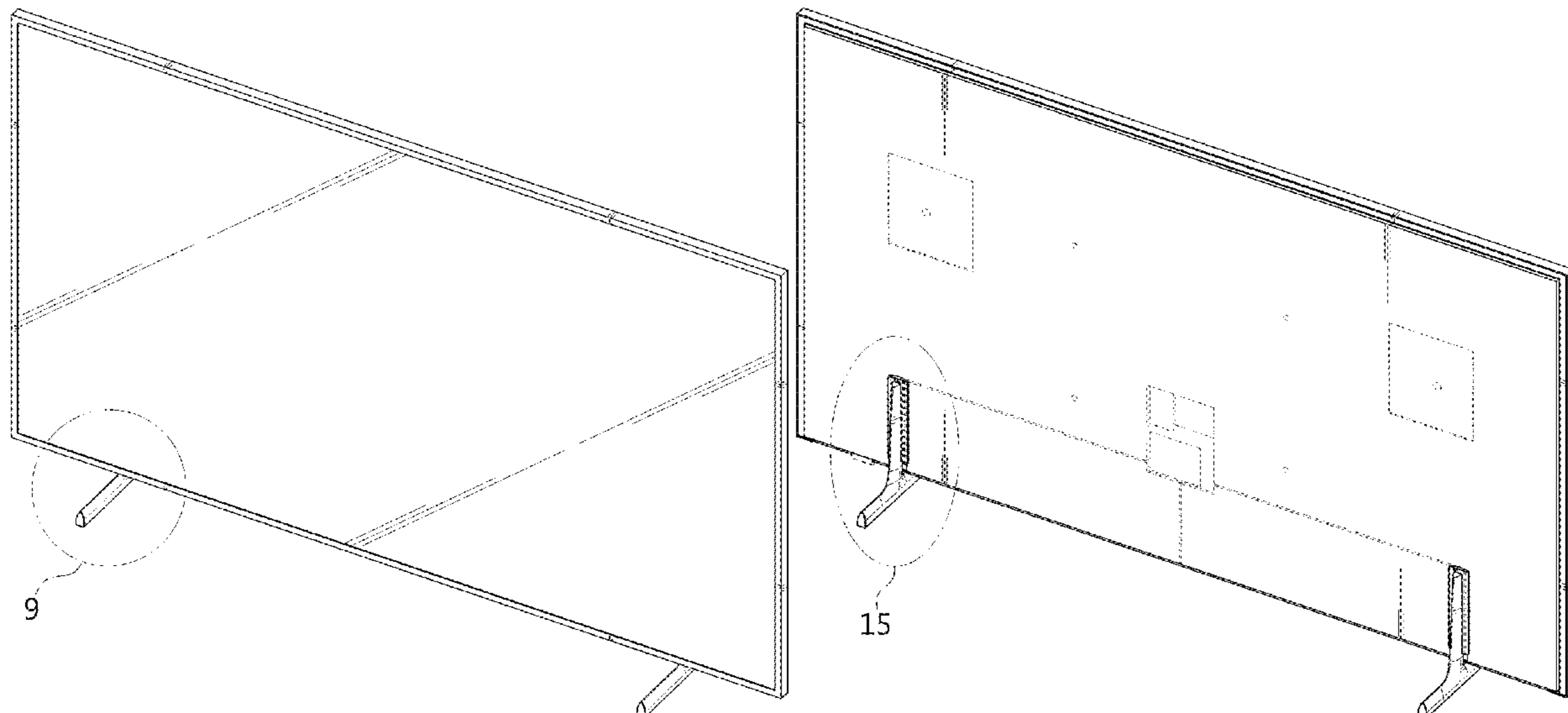
(57) **CLAIM**

The ornamental design for a television receiver, as shown and described.

**DESCRIPTION**

FIG. 1 is a front perspective view of a television receiver, showing our new design;  
 FIG. 2 is a front view thereof;  
 FIG. 3 is a rear view thereof;  
 FIG. 4 is a left-side view thereof;  
 FIG. 5 is a right-side view thereof;  
 FIG. 6 is a top view thereof;  
 FIG. 7 is a bottom view thereof;  
 FIG. 8 is a rear perspective view thereof;  
 FIG. 9 is an enlarged view of the portion 9 in FIG. 1;  
 FIG. 10 is an enlarged view of the portion 10 in FIG. 2;  
 FIG. 11 is an enlarged view of the portion 11 in FIG. 3;  
 FIG. 12 is an enlarged view of the portion 12 in FIG. 4;  
 FIG. 13 is an enlarged view of the portion 13 in FIG. 6;  
 FIG. 14 is an enlarged view of the portion 14 in FIG. 7;  
 FIG. 15 is an enlarged view of the portion 15 in FIG. 8; and,  
 FIG. 16 is a front view thereof in an alternate configuration.  
 The even-dash broken lines illustrating portions of the television receiver form no part of the claimed design. The dot-dot-dash broken lines encircling enlargement portions of the claimed design form no part of the claimed design.

**1 Claim, 16 Drawing Sheets**



(58) **Field of Classification Search**

USPC ..... D14/209.1, 238; D19/113, 114; D6/328,  
D6/332  
CPC .... H04N 7/00; H04N 9/3141; H04N 13/0459;  
H04N 17/04; H04N 17/004; H04N  
21/43637; G06F 1/1601; G06F 1/1605;  
G06F 1/162

See application file for complete search history.

FOREIGN PATENT DOCUMENTS

EM	007719380-0001		2/2020
KR	300925330	S	9/2017
KR	301011337	S	6/2019
KR	301011338	S	6/2019
KR	301140104.0000		* 12/2021
KR	301140105.0000		* 12/2021

OTHER PUBLICATIONS

(56)

**References Cited**

U.S. PATENT DOCUMENTS

D735,153	S	*	7/2015	Snyder .....	D14/126
D779,446	S	*	2/2017	Bouroullec .....	D14/126
D791,094	S	*	7/2017	Han .....	D14/126
D799,443	S	*	10/2017	Park .....	D14/126
D823,824	S	*	7/2018	Won .....	D14/126
D861,626	S	*	10/2019	Wu .....	D14/126
D864,886	S	*	10/2019	Kim .....	D14/126
D898,688	S	*	10/2020	Lee .....	D14/126
D899,387	S	*	10/2020	Lee .....	D14/126
D952,619	S	*	5/2022	Kim .....	D14/239
D960,847	S	*	8/2022	Kim .....	D14/126

A 65 Inch 4K HDR TV for E700—Philips 65PUS6523 65" Smart TV. p. 1 of 1 [online]. Published Dec. 10, 2018 [retrieved on Jun. 4, 2021]. Retrieved from the Internet: <URL: <https://www.youtube.com/watch?v=mTBn2t9onFo>.

Original Xiaomi Mi TV 4A—Gearbest.com p. 1 of 1 [online]. Published Oct. 18, 2017 [retrieved on Jun. 4, 2021]. Retrieved from the Internet: <URL: [https://www.youtube.com/watch?v=gx\\_EAJJabSo](https://www.youtube.com/watch?v=gx_EAJJabSo).

Philips 9104 Georg Jensen TV 2019| Has a 4K IPS LCD panel and the P5 video processor. p. 1 of 1 [online]. Published Sep. 2, 2018 [retrieved on Jun. 4, 2021]. Retrieved from the Internet: <URL: [https://www.youtube.com/watch?v=pfzcKHJ\\_KYE](https://www.youtube.com/watch?v=pfzcKHJ_KYE).

\* cited by examiner

FIG. 1

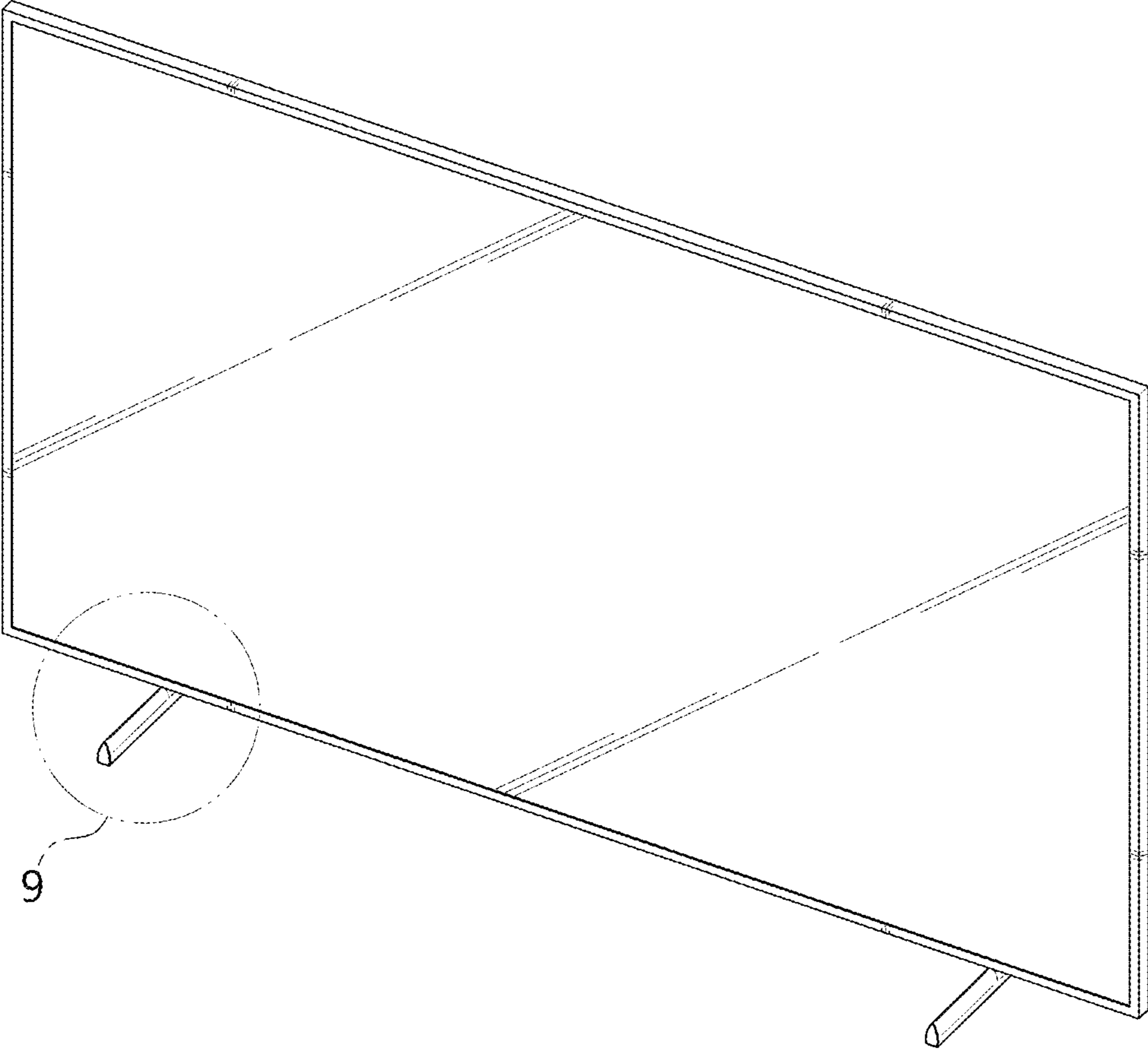


FIG. 2

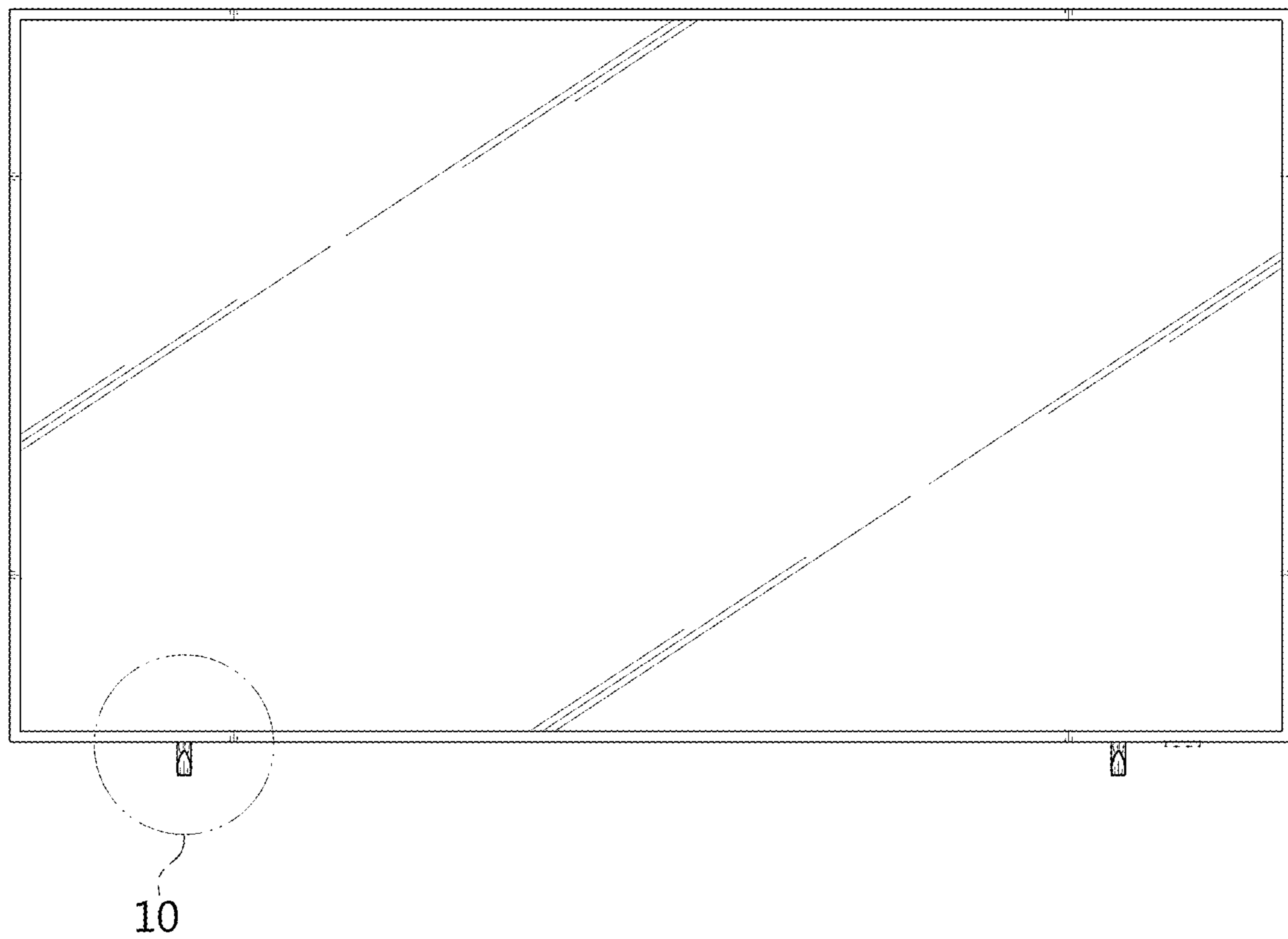


FIG. 3

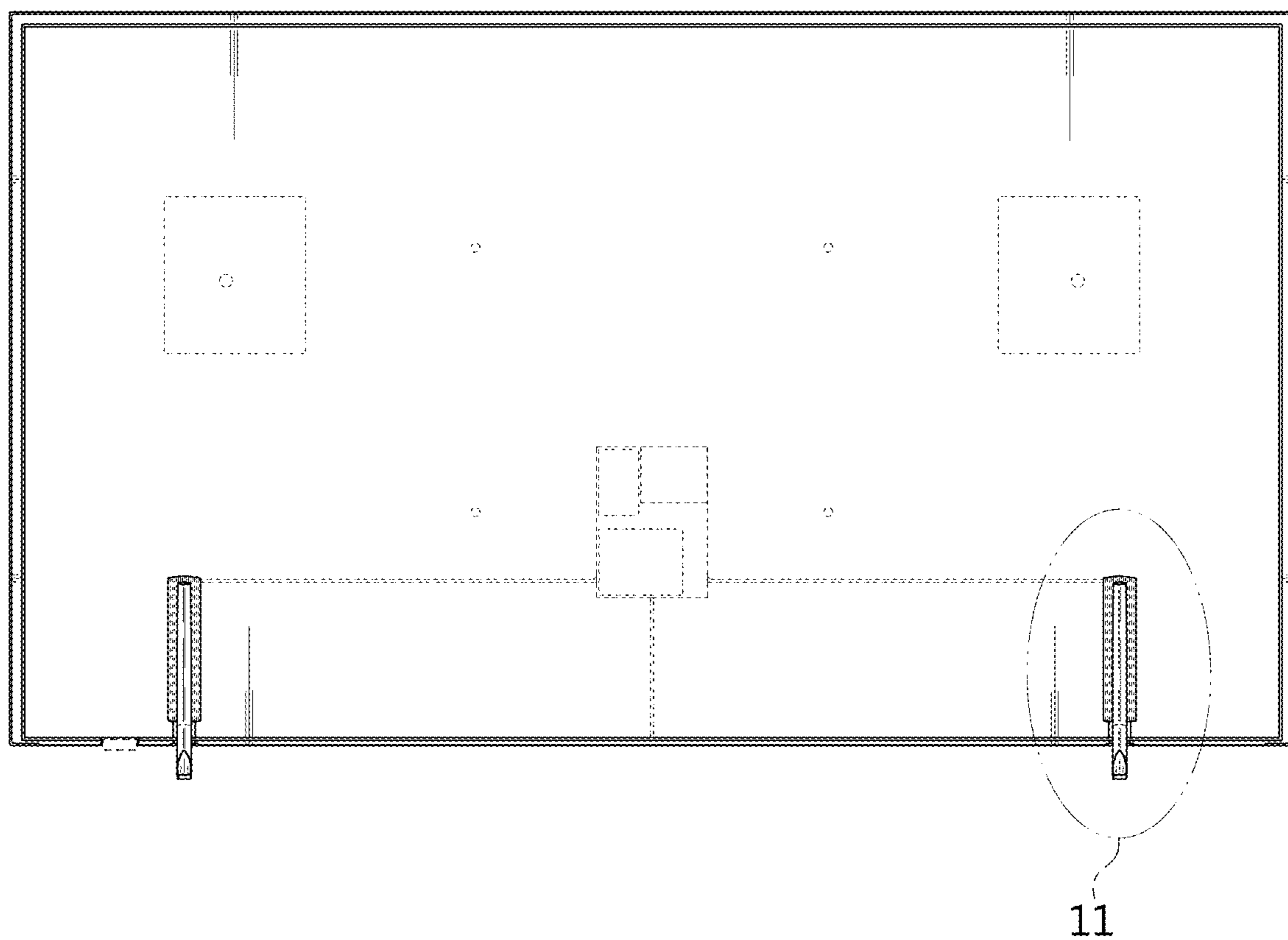


FIG. 4

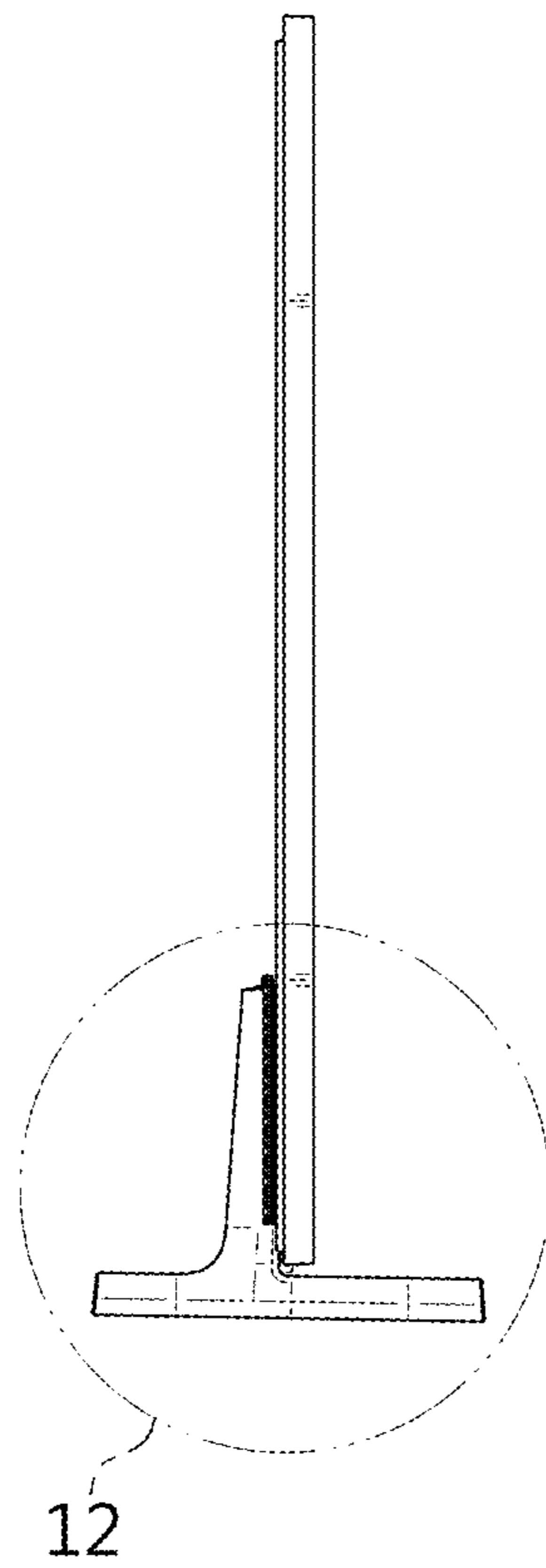


FIG. 5

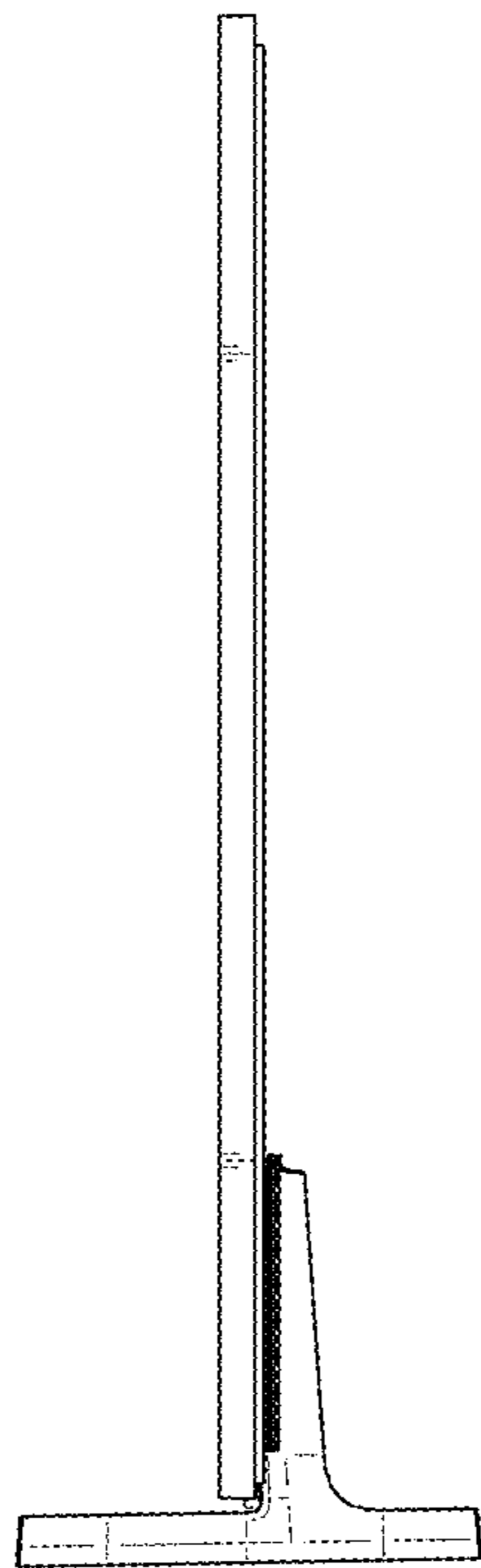




FIG. 6

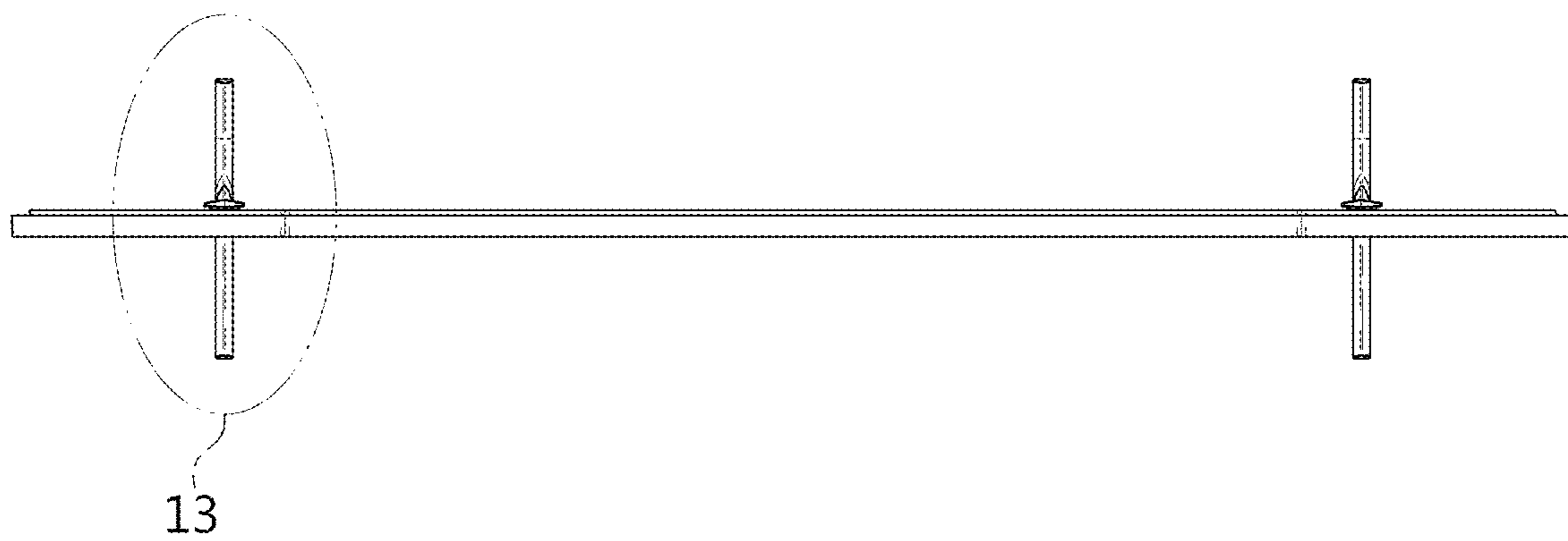




FIG. 7

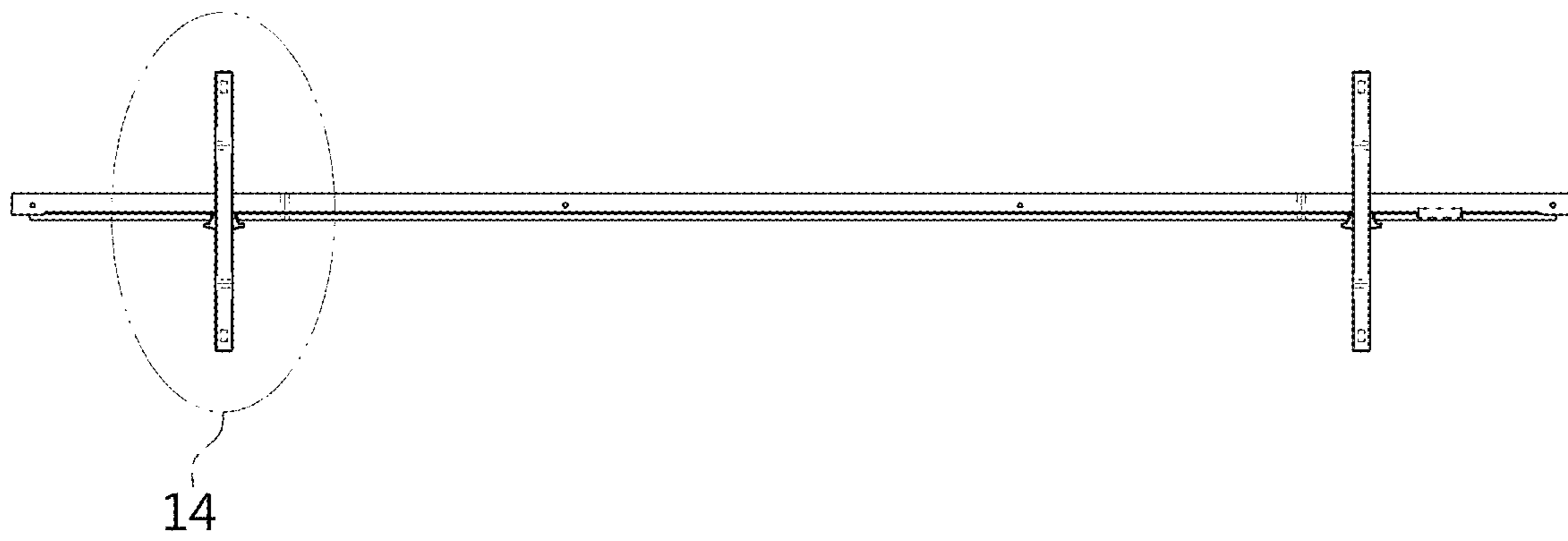


FIG. 8

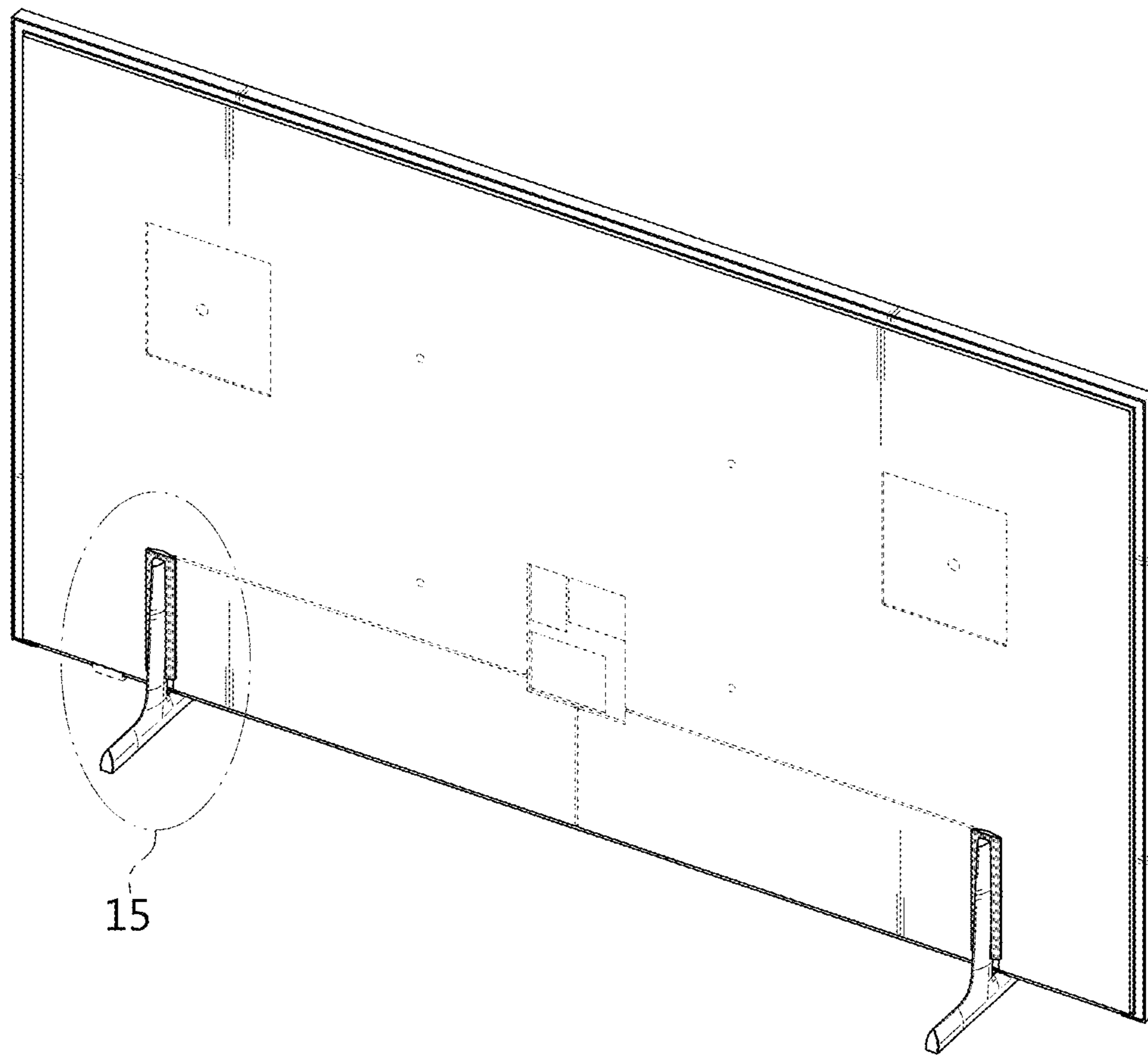


FIG. 9

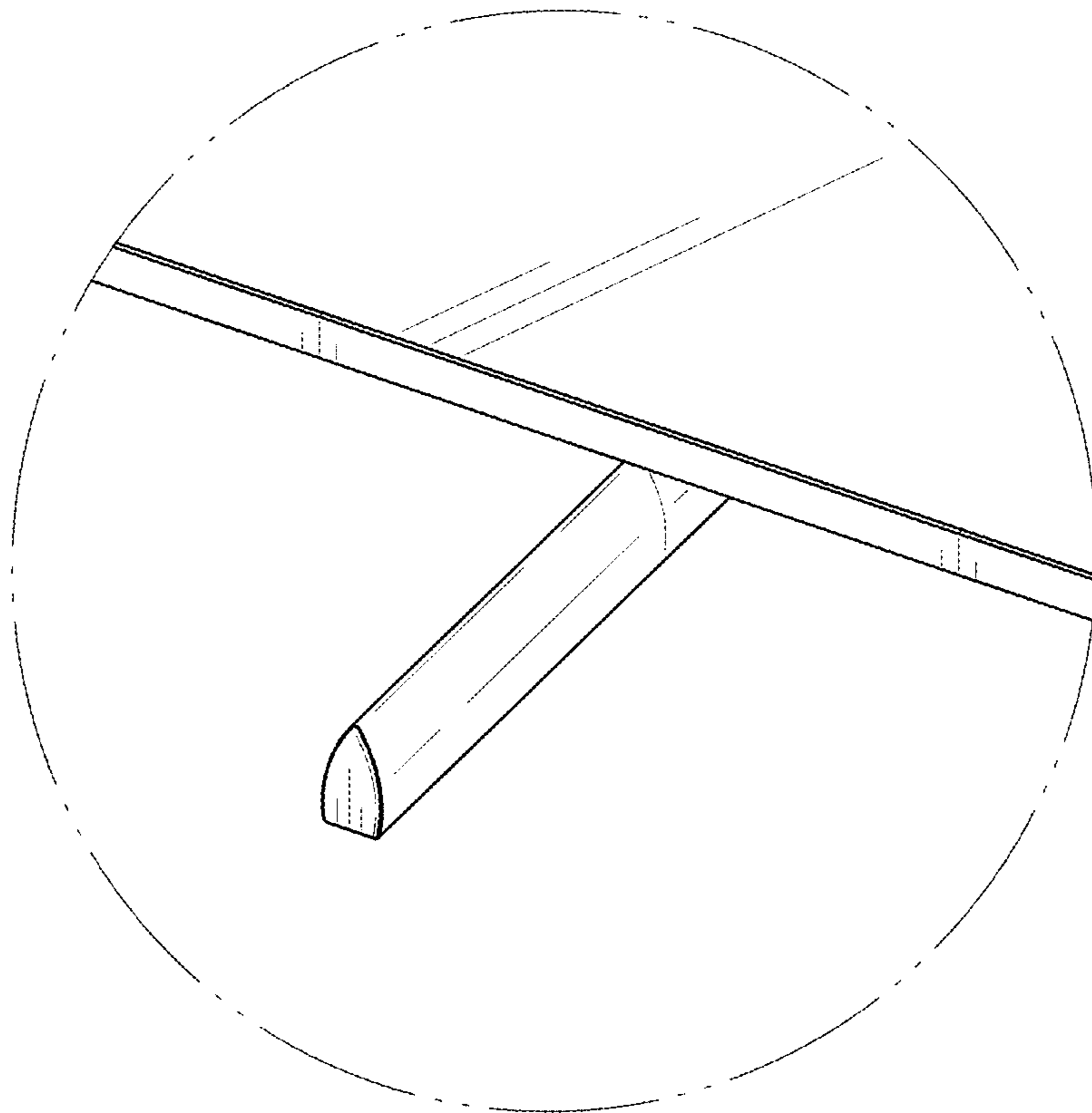


FIG. 10

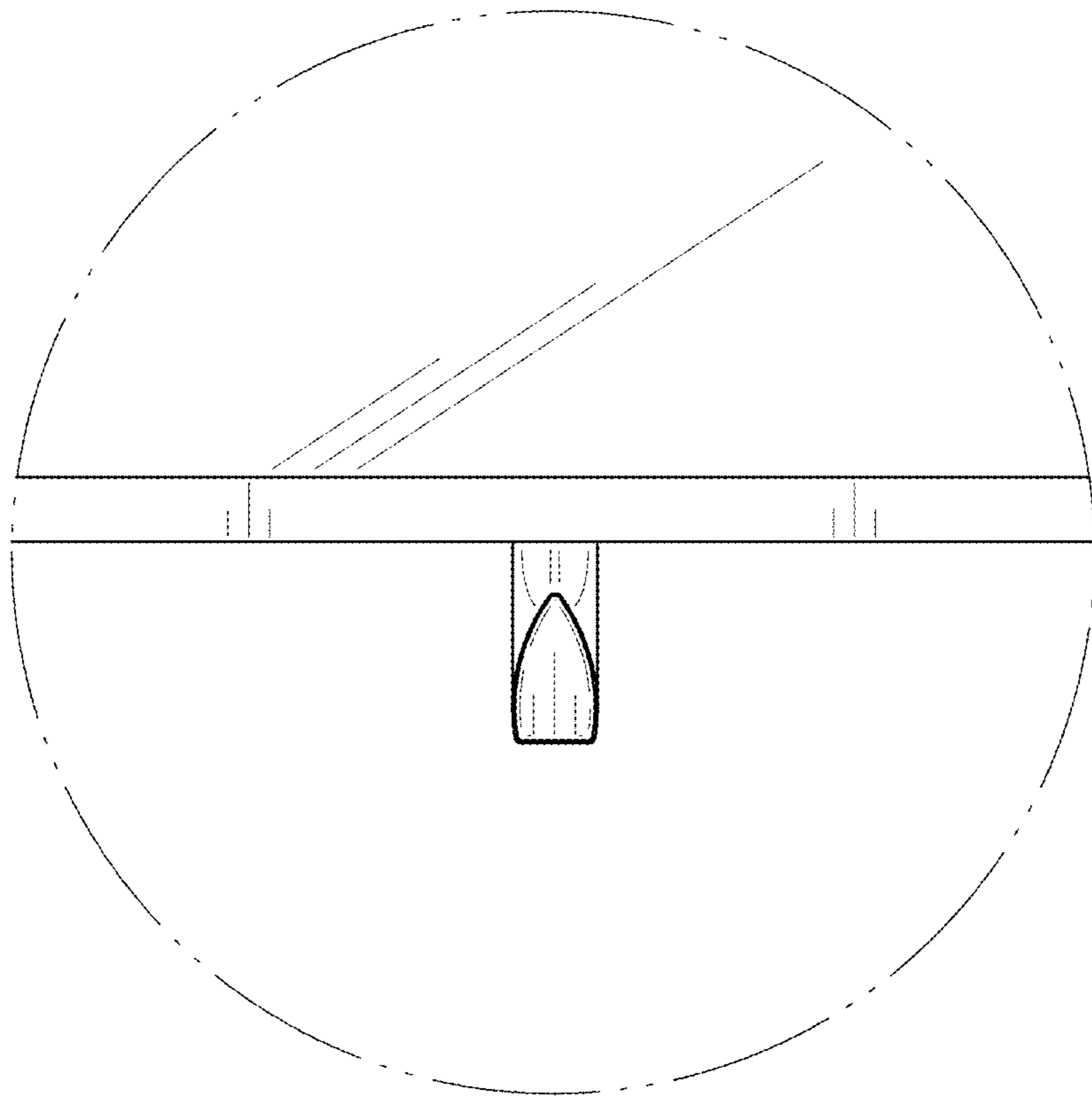


FIG. 11

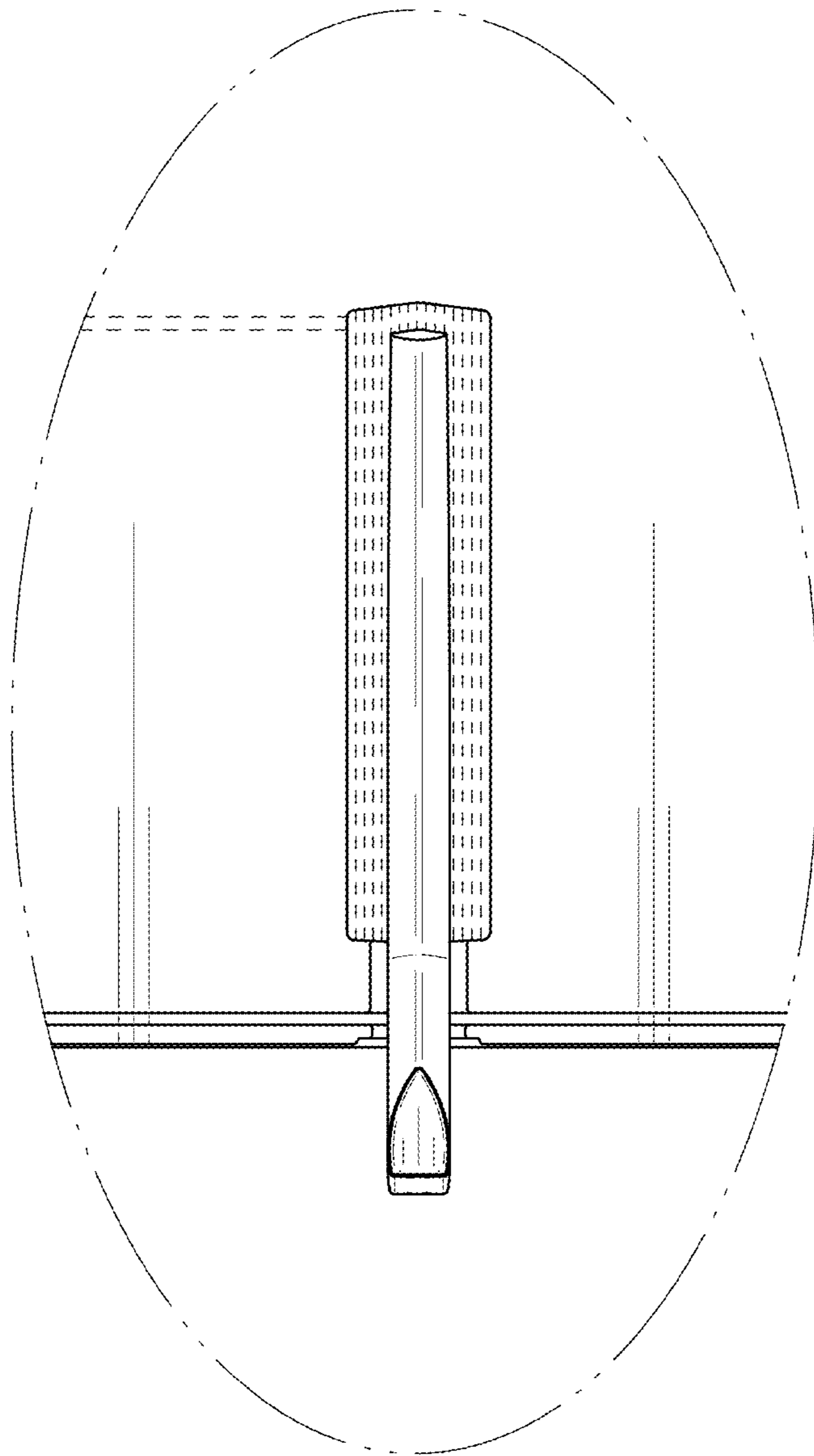


FIG. 12

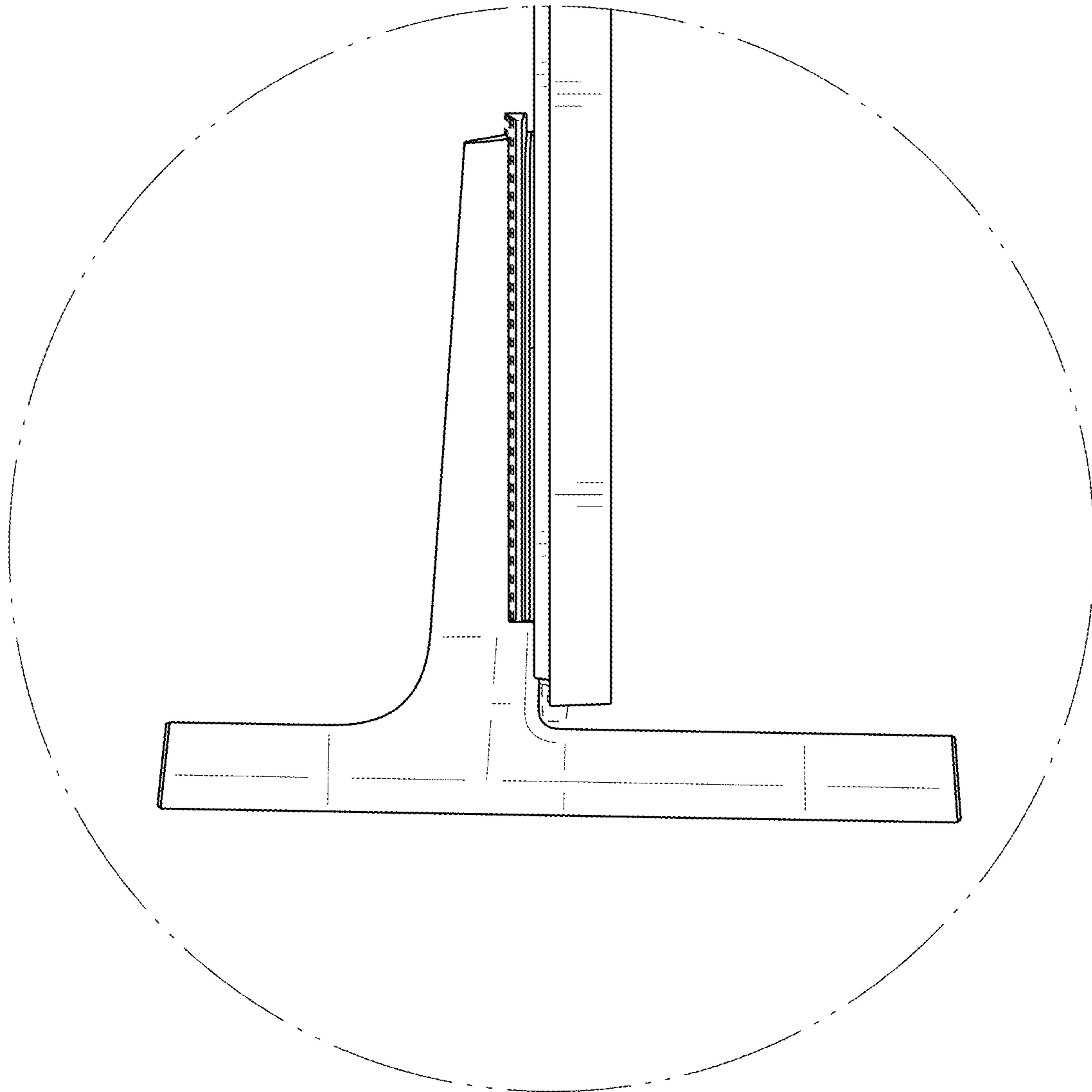


FIG. 13

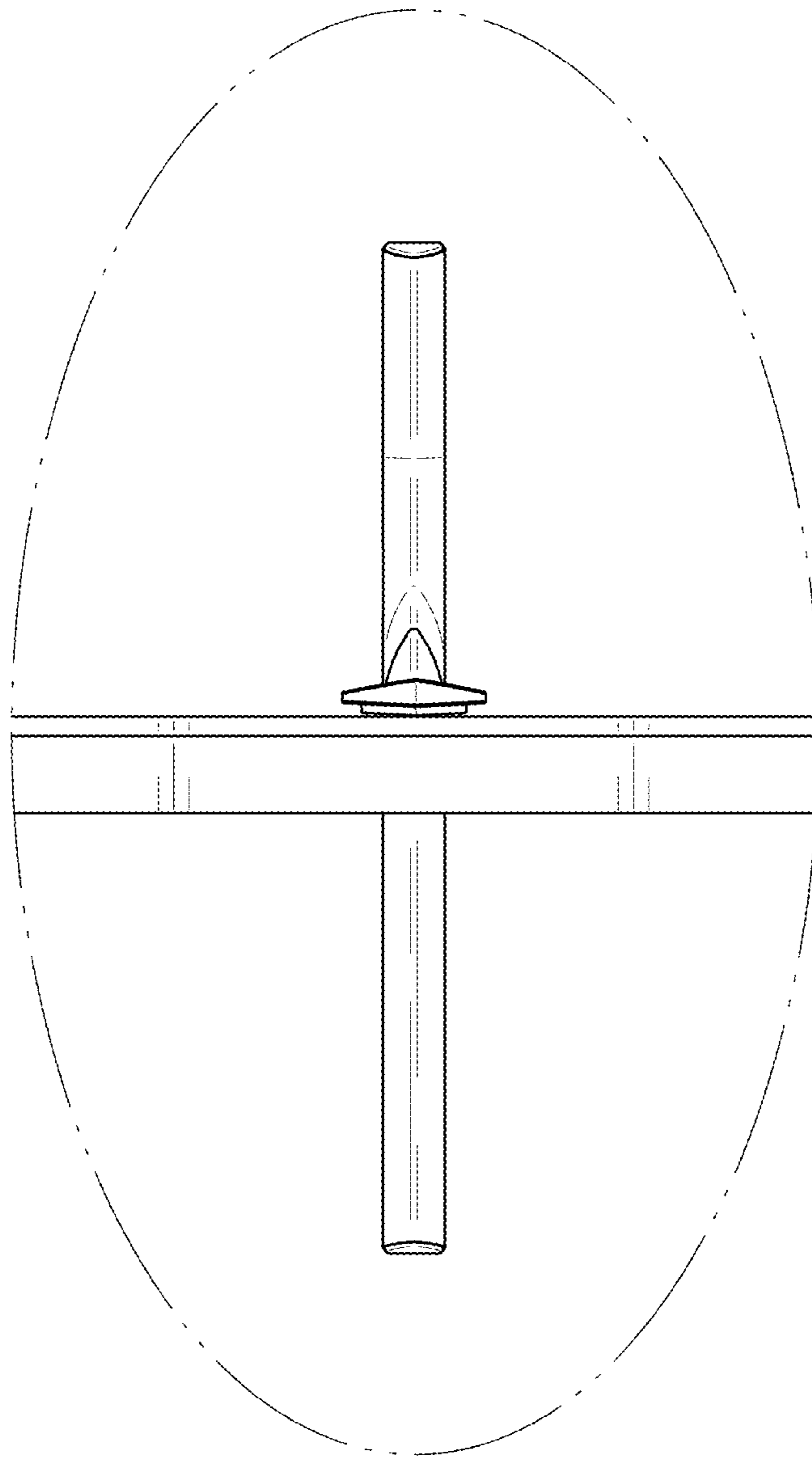




FIG. 14

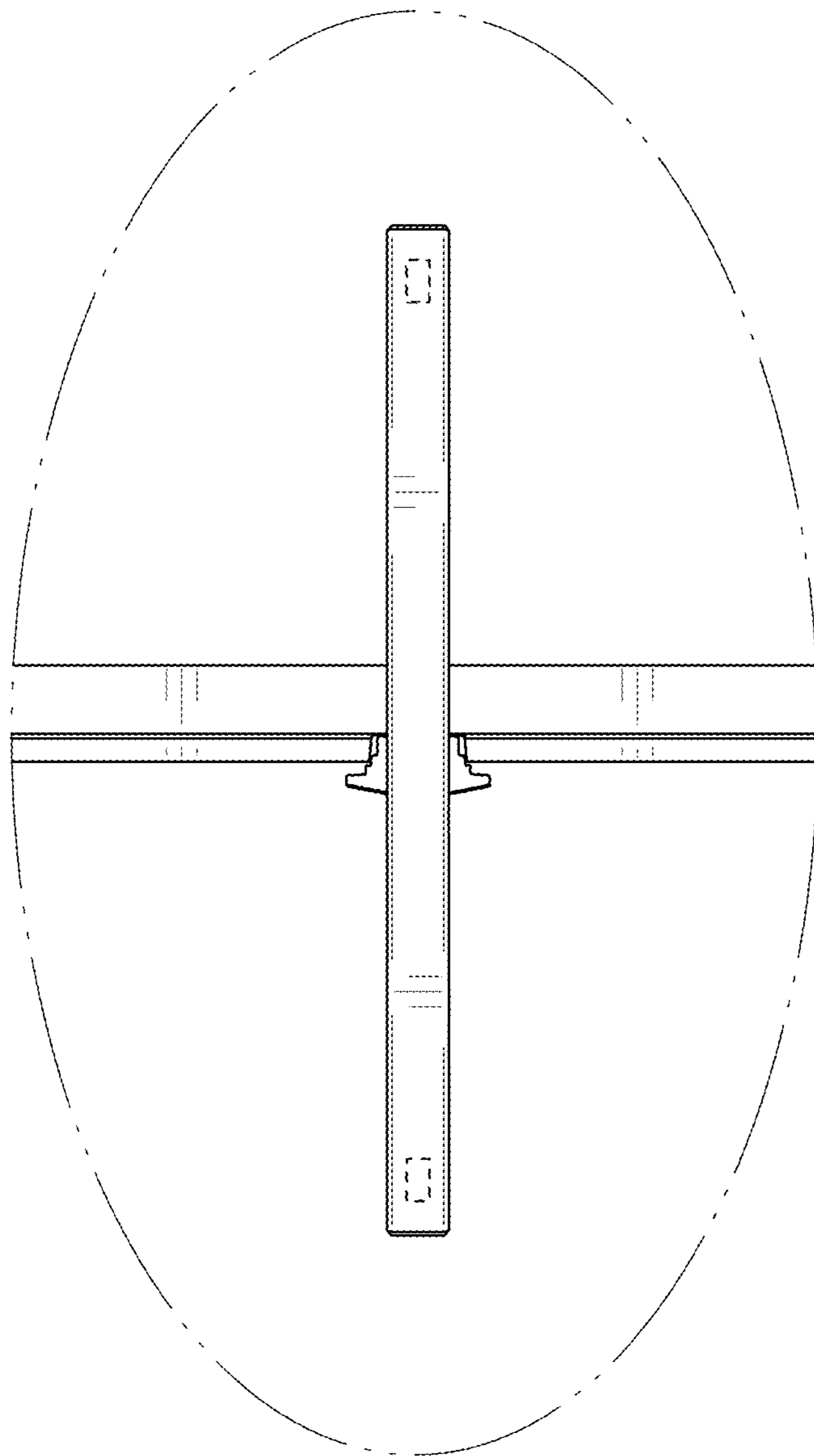


FIG. 15

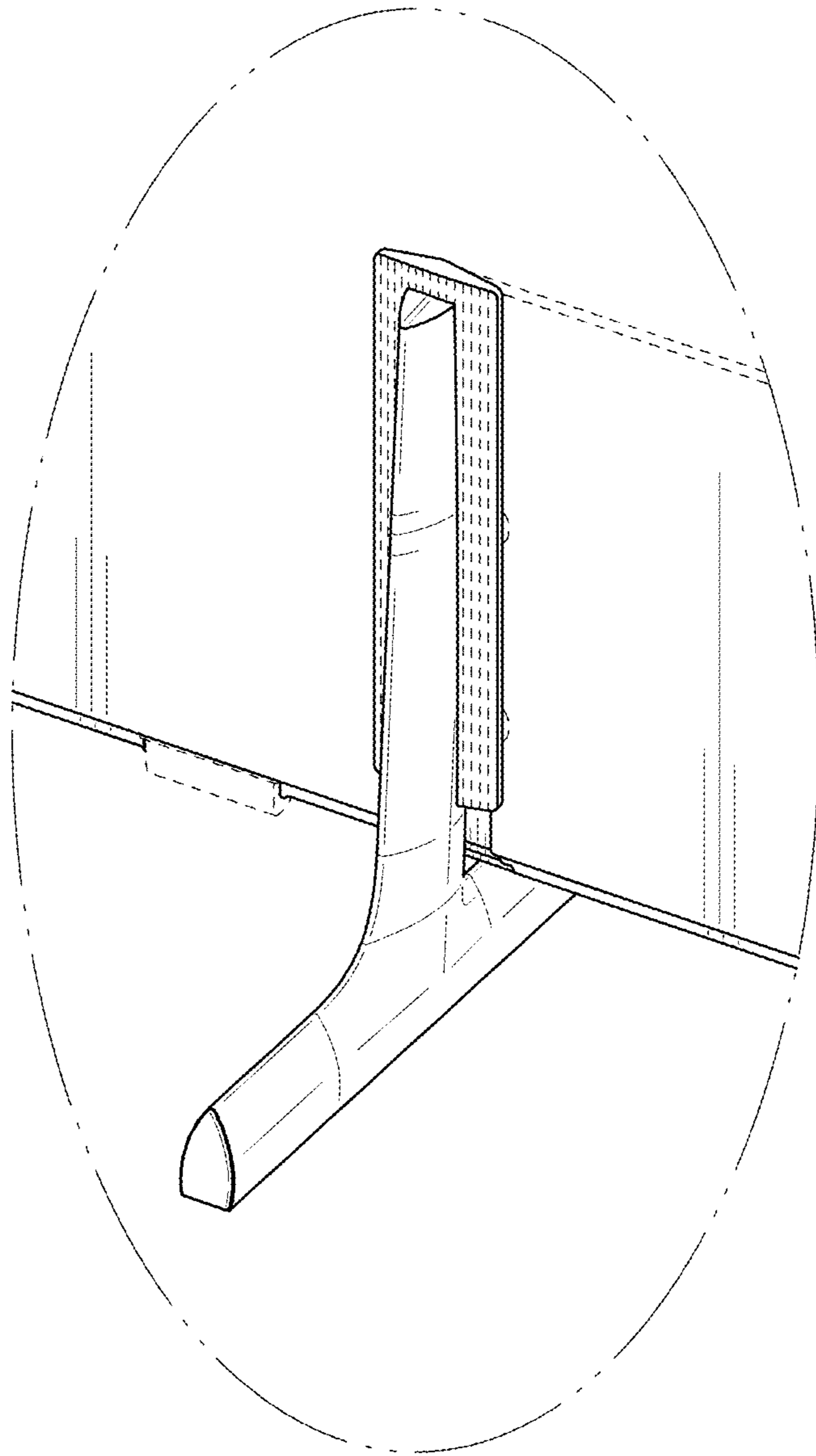


FIG. 16

