



US00D978095S

(12) **United States Design Patent**
Yoo et al.

(10) **Patent No.:** **US D978,095 S**

(45) **Date of Patent:** **** Feb. 14, 2023**

(54) **TELEVISION RECEIVER**

(71) Applicant: **Samsung Electronics Co., Ltd.**,
Suwon-si (KR)

(72) Inventors: **Jae-Wook Yoo**, Suwon-si (KR); **Sin-Wi Moon**, Suwon-si (KR); **Dae-Hun Jung**, Suwon-si (KR); **Byung-Min Woo**, Suwon-si (KR); **Dong-Wook Kim**, Suwon-si (KR); **Jee-Won Kim**, Suwon-si (KR)

(73) Assignee: **Samsung Electronics Co., Ltd.**,
Suwon-si (KR)

(**) Term: **15 Years**

(21) Appl. No.: **29/785,831**

(22) Filed: **May 27, 2021**

(30) **Foreign Application Priority Data**

Dec. 2, 2020 (KR) 30-2020-0059026

(51) **LOC (14) Cl.** **14-03**

(52) **U.S. Cl.**
USPC **D14/126**

(58) **Field of Classification Search**
USPC D14/125-135, 239, 371, 136, 374-377,
D14/440, 450, 448, 336, 342, 159, 251,
(Continued)

(56) **References Cited**

U.S. PATENT DOCUMENTS

D603,816 S * 11/2009 Kim D14/126
D608,314 S * 1/2010 Boo D14/126
(Continued)

FOREIGN PATENT DOCUMENTS

EM 001905902-0004 8/2011
EM 004372001-0002 9/2017
(Continued)

OTHER PUBLICATIONS

QLED Q80T, first available Feb. 10, 2020 [online], [retrieved Sep. 17, 2021]. Available from the Internet, URL:<https://a.co/d/gEE2kJ>. (Year: 2020).*

Primary Examiner — Dana K Weiland
Assistant Examiner — Russell Carnell Smith, Jr.

(74) *Attorney, Agent, or Firm* — NSIP Law

(57) **CLAIM**

We claim the ornamental design for a television receiver, as shown and described.

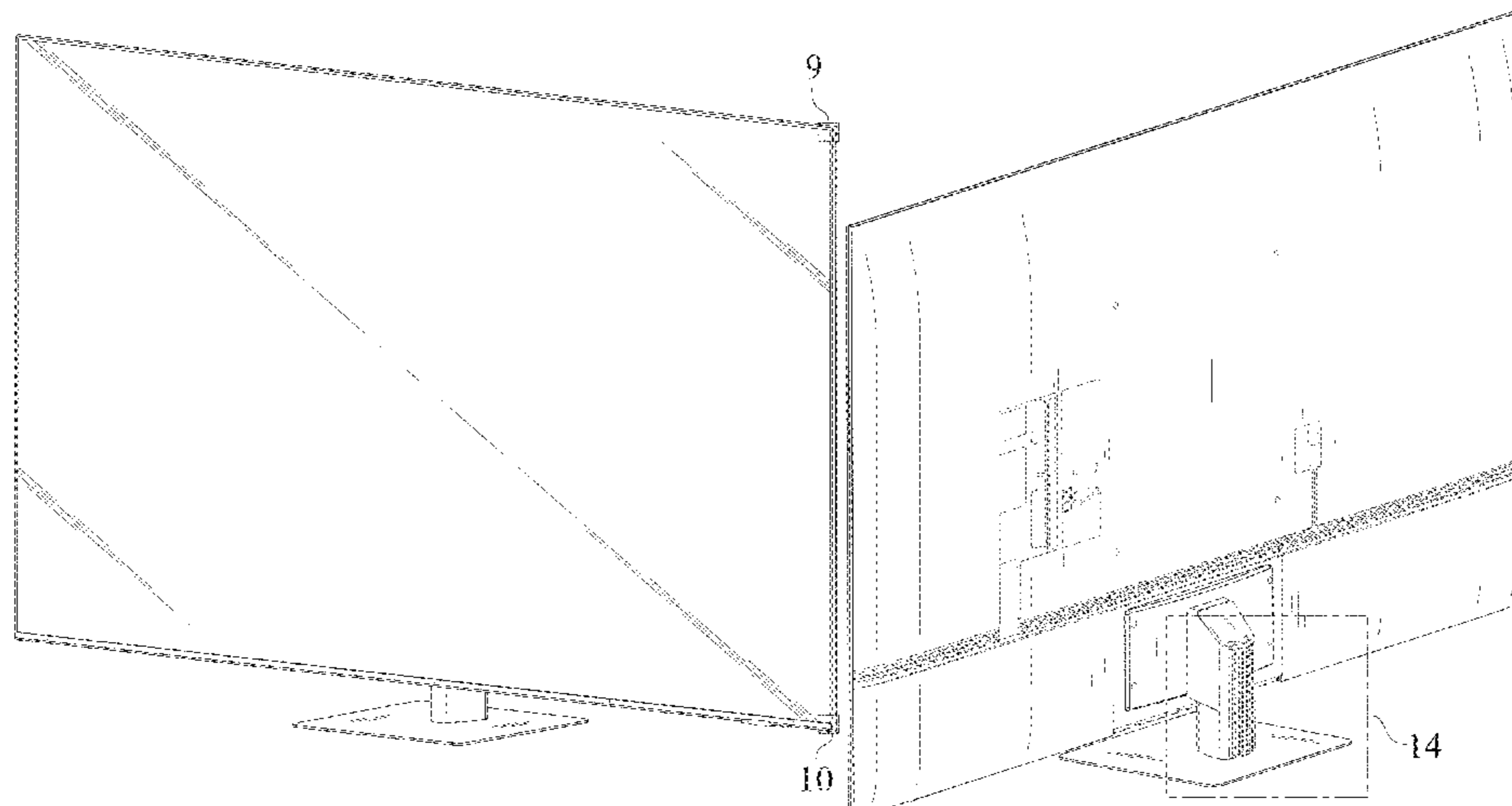
DESCRIPTION

FIG. 1 is a front perspective view of a television receiver showing our new design;
FIG. 2 is a front view thereof;
FIG. 3 is a rear view thereof;
FIG. 4 is a left-side view thereof;
FIG. 5 is a right-side view thereof;
FIG. 6 is a top view thereof;
FIG. 7 is a bottom view thereof;
FIG. 8 is a rear perspective view thereof;
FIG. 9 is an enlarged view of the encircled portion 9 in FIG. 1;
FIG. 10 is an enlarged view of the encircled portion 10 in FIG. 1;
FIG. 11 is an enlarged view of the encircled portion in FIG. 2;
FIG. 12 is an enlarged view of the encircled portion in FIG. 4;
FIG. 13 is an enlarged view of the encircled portion in FIG. 6; and,
FIG. 14 is an enlarged view of the encircled portion in FIG. 8.

The evenly-dashed broken lines in the figures depict portions of the television receiver which form no part of the claimed design.

The dot-dash broken lines encircling portions of the claimed design that are illustrated in enlargements form no part of the claimed design.

1 Claim, 14 Drawing Sheets



(58) **Field of Classification Search**

USPC D14/209.1, 238; D19/113, 114; D6/328,
D6/332

CPC H04N 7/00; H04N 9/3141; H04N 13/0459;
H04N 17/04; H04N 17/004; H04N
21/43637; G06F 1/1601; G06F 1/1605;
G06F 1/162

See application file for complete search history.

(56) **References Cited**

U.S. PATENT DOCUMENTS

D615,510	S	*	5/2010	Won	D14/126
D623,620	S	*	9/2010	Kim	D14/126
D657,324	S	*	4/2012	Lee	D14/126
D663,706	S	*	7/2012	Cha	D14/126
D686,584	S	*	7/2013	Yoo	D14/126
D686,585	S	*	7/2013	Yoon	D14/126
D715,753	S	*	10/2014	Jang	D14/126
D723,483	S	*	3/2015	Lee	D14/126
D826,886	S	*	8/2018	Cha	D14/126

FOREIGN PATENT DOCUMENTS

KR	30-2010-0032352		8/2014
KR	30-2017-0058654		10/2018
KR	301130630.0000	*	10/2021
KR	301130634.0000	*	10/2021
WO	DM/091 835		6/2016

* cited by examiner

FIG. 1

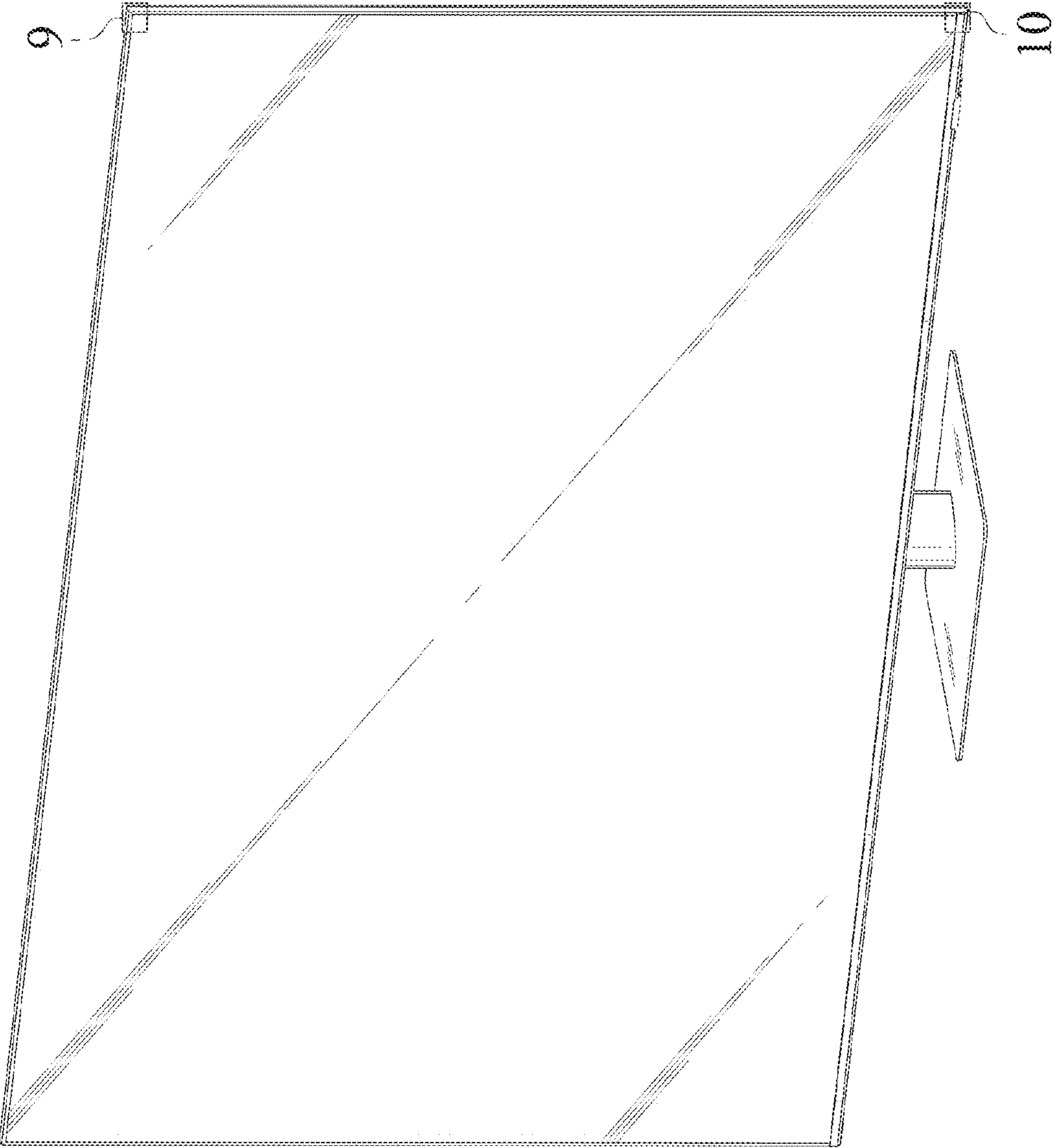


FIG. 2

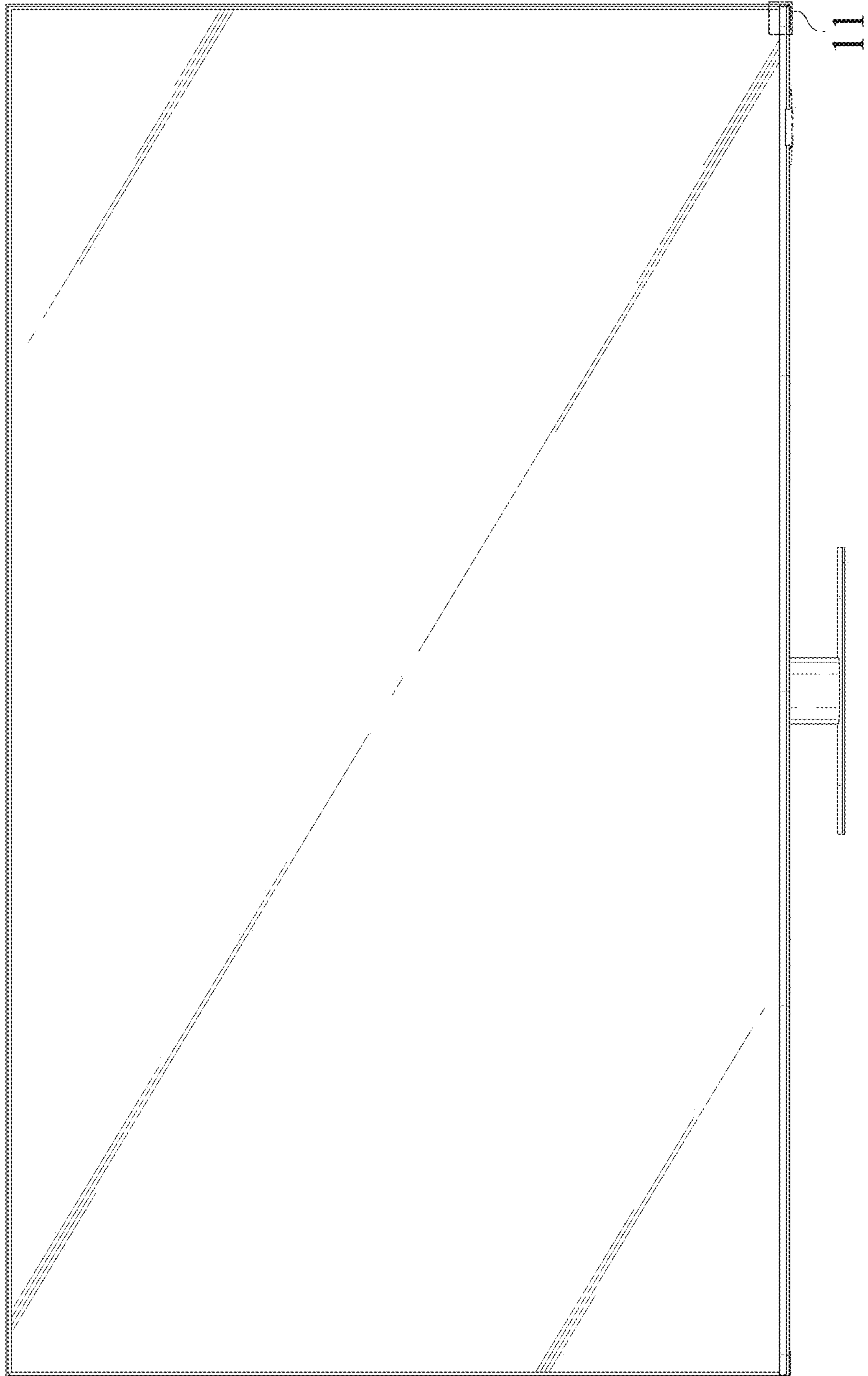


FIG. 3

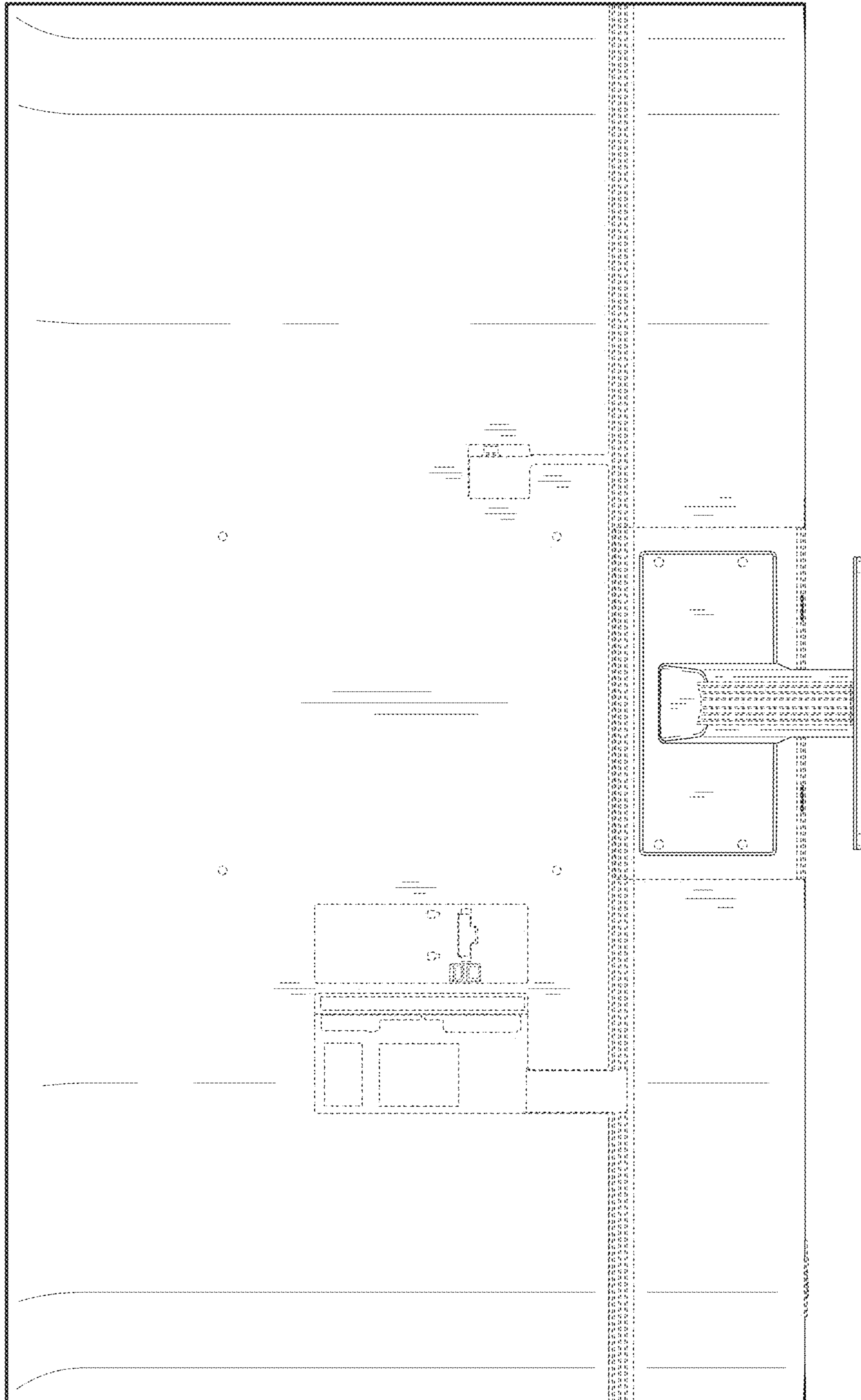


FIG. 4

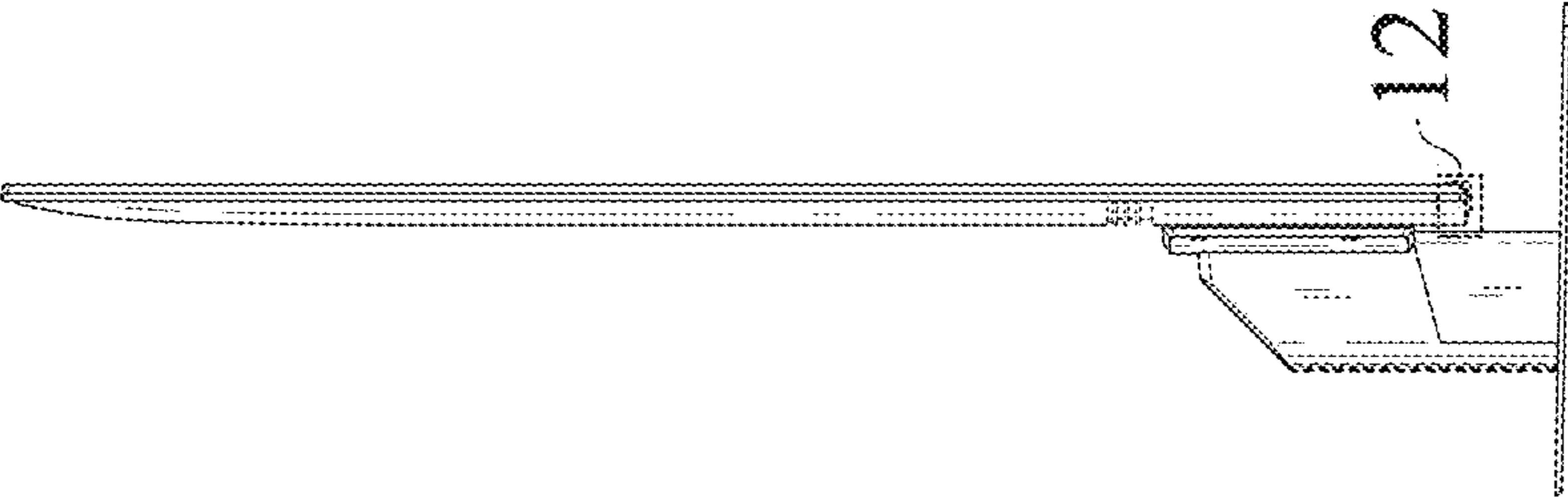


FIG. 5

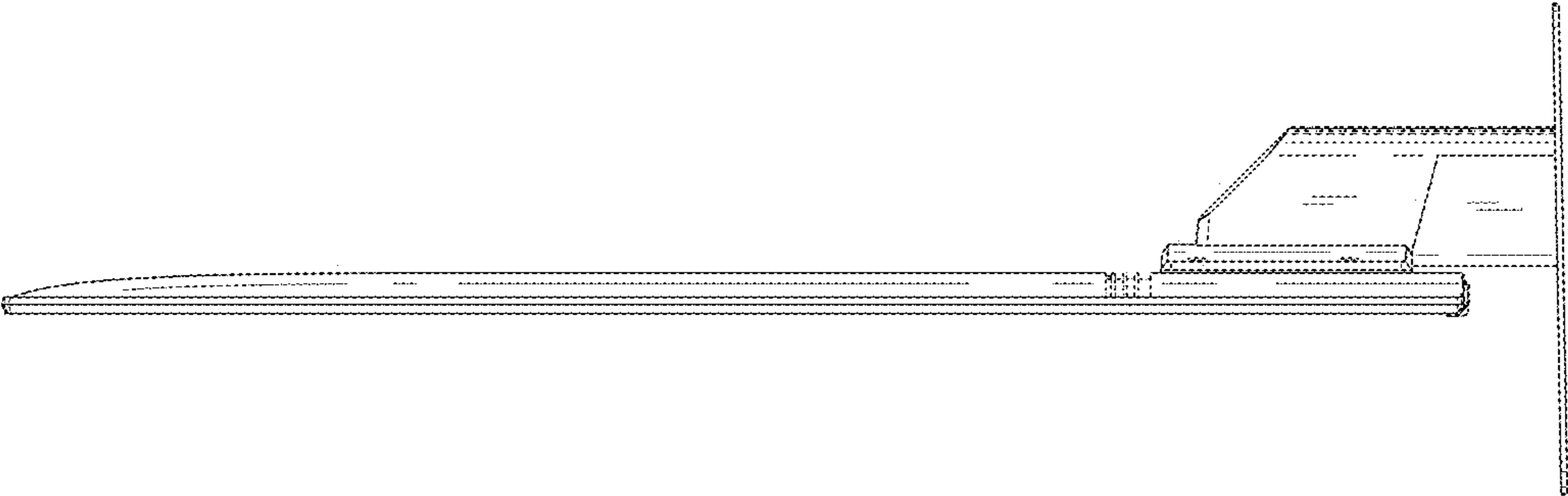


FIG. 6

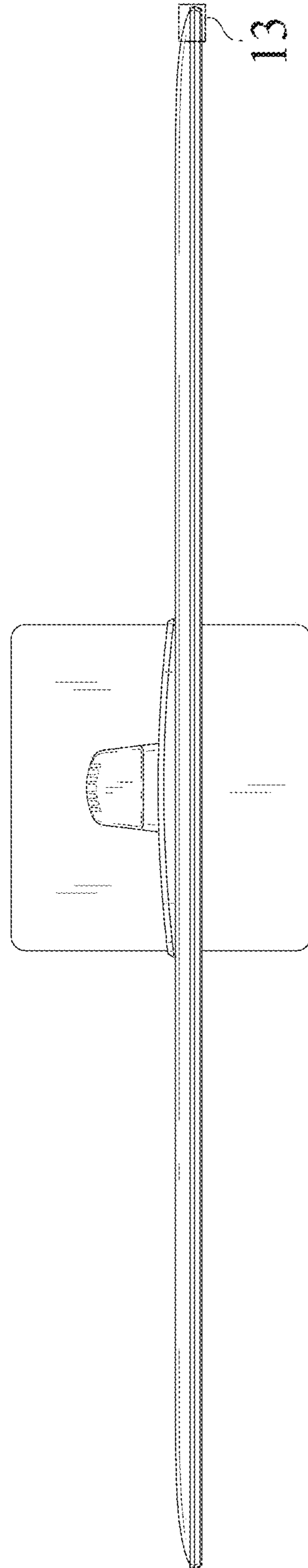


FIG. 7

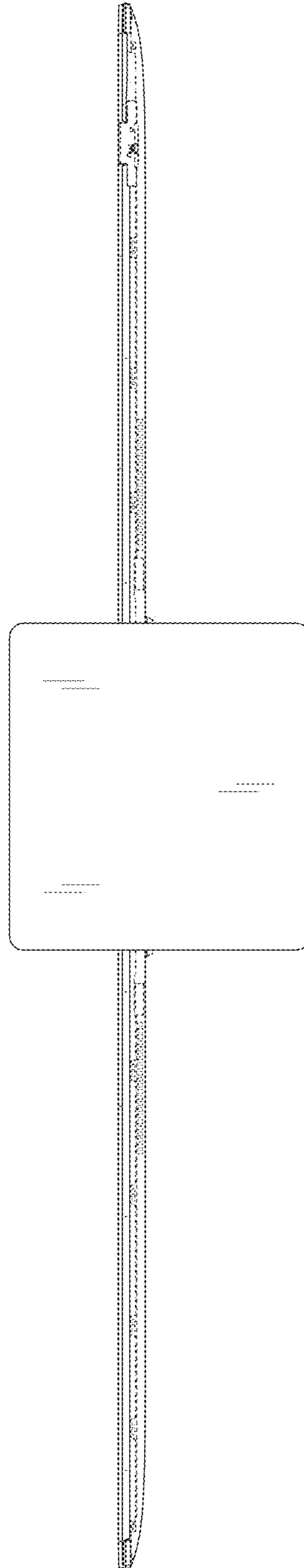


FIG. 8

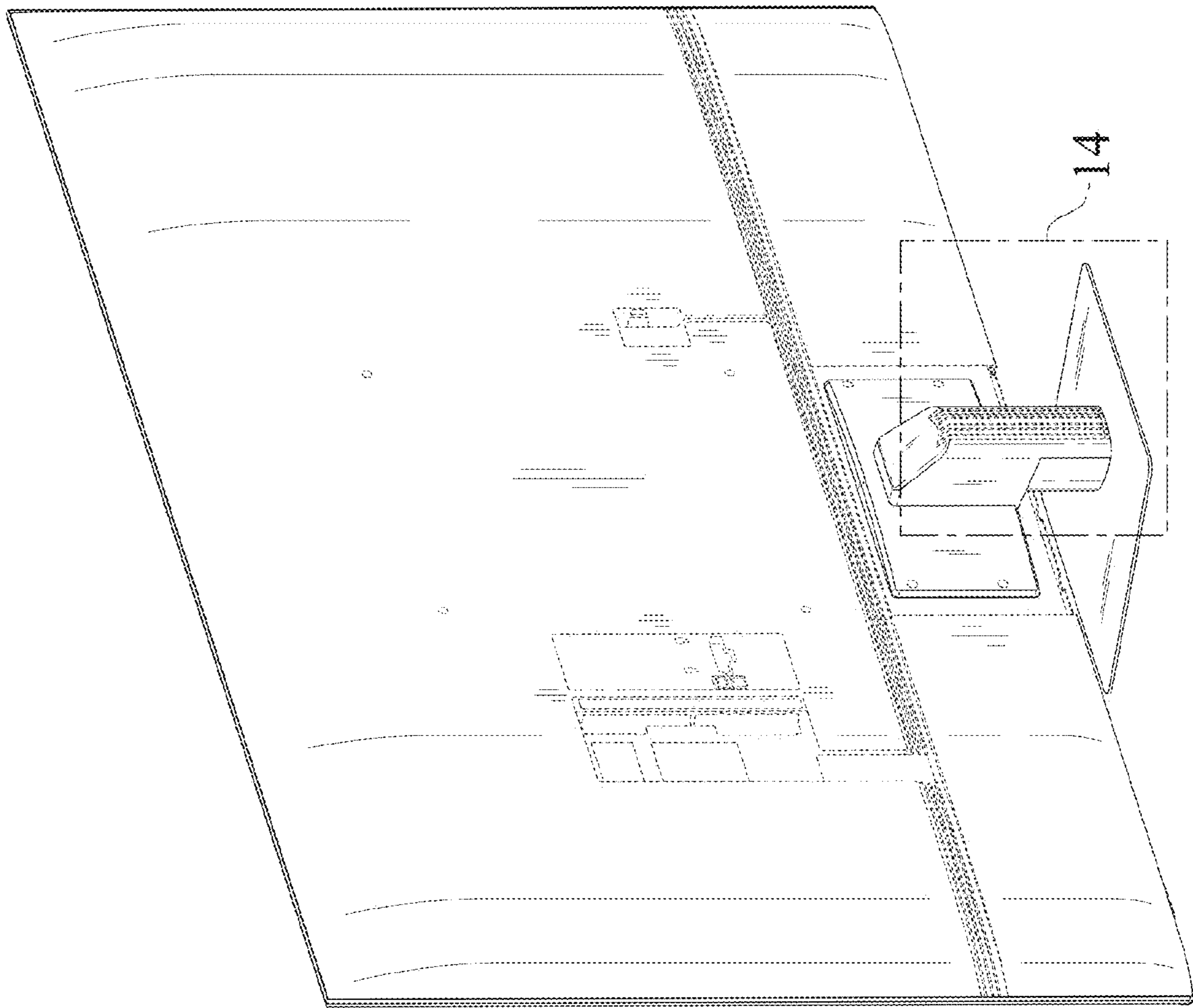


FIG. 9

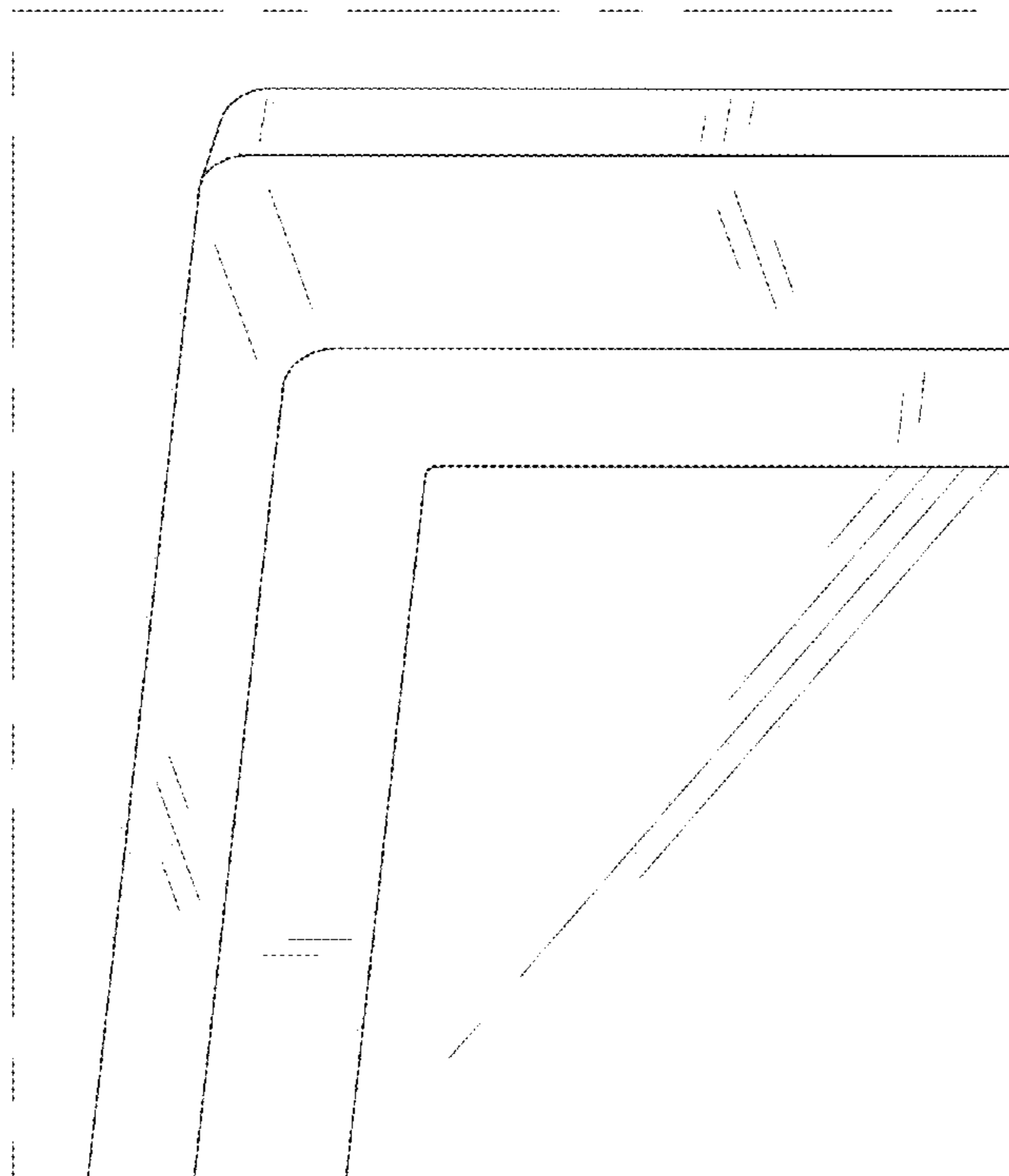


FIG. 10

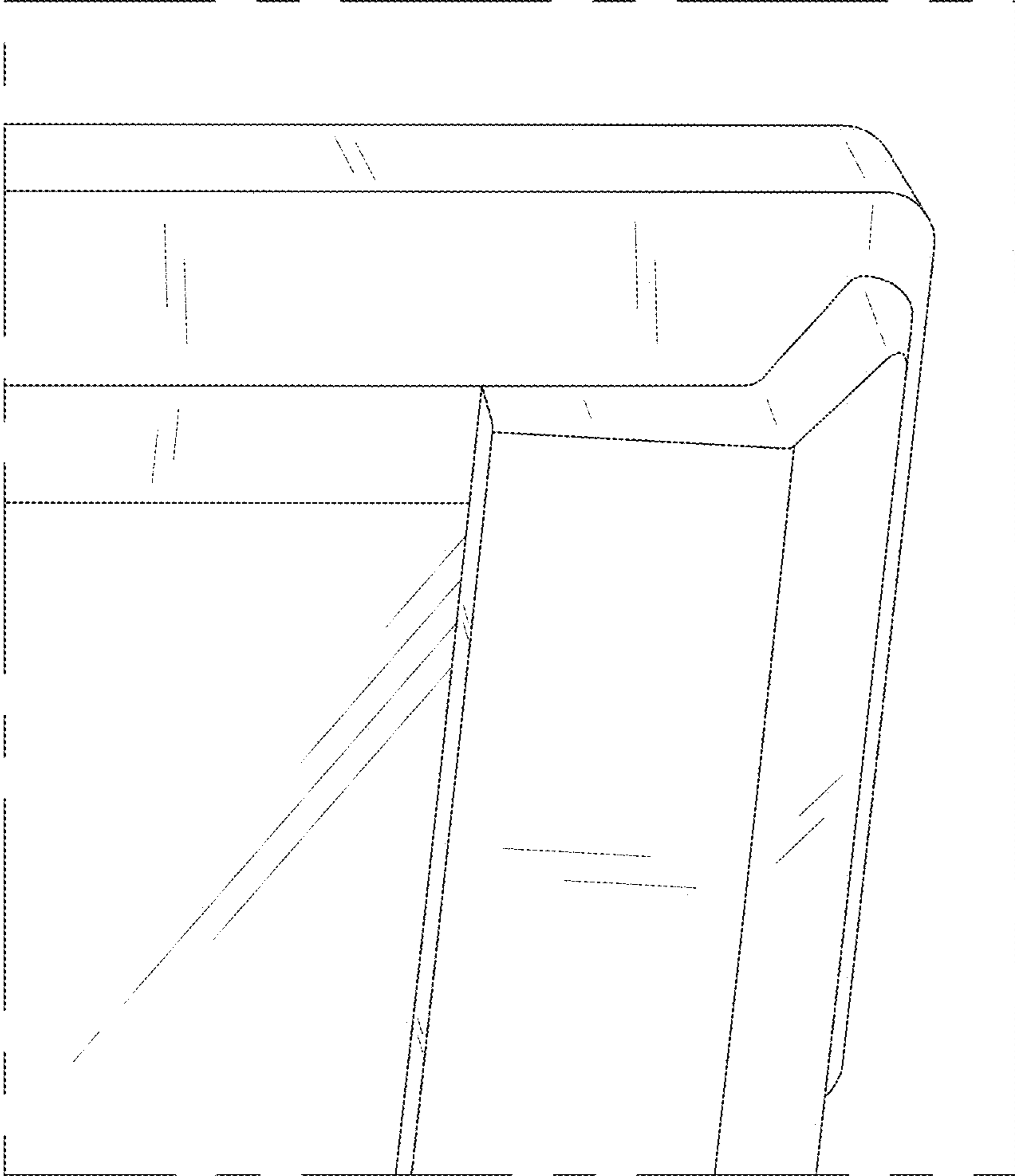


FIG. 11

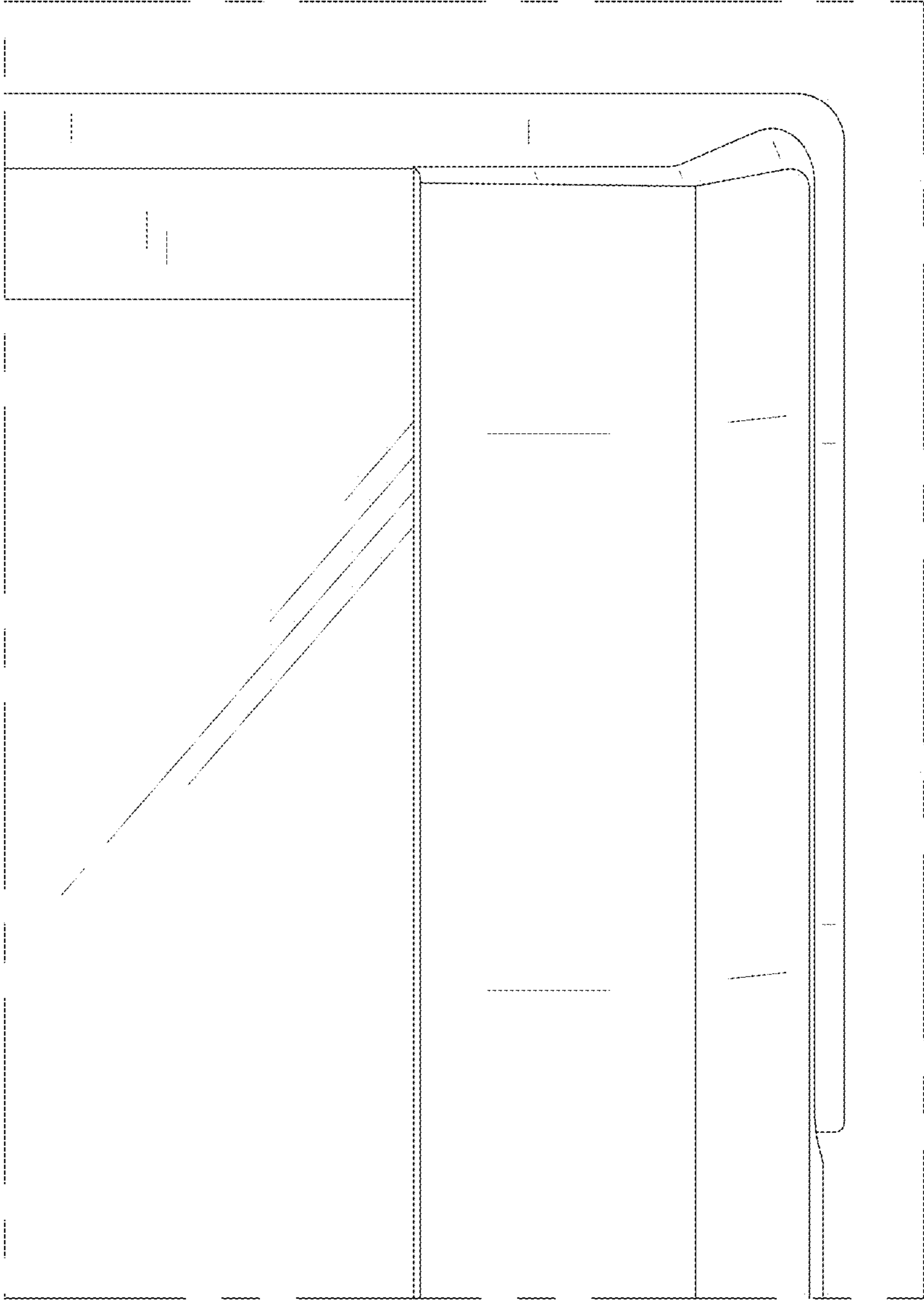


FIG. 12

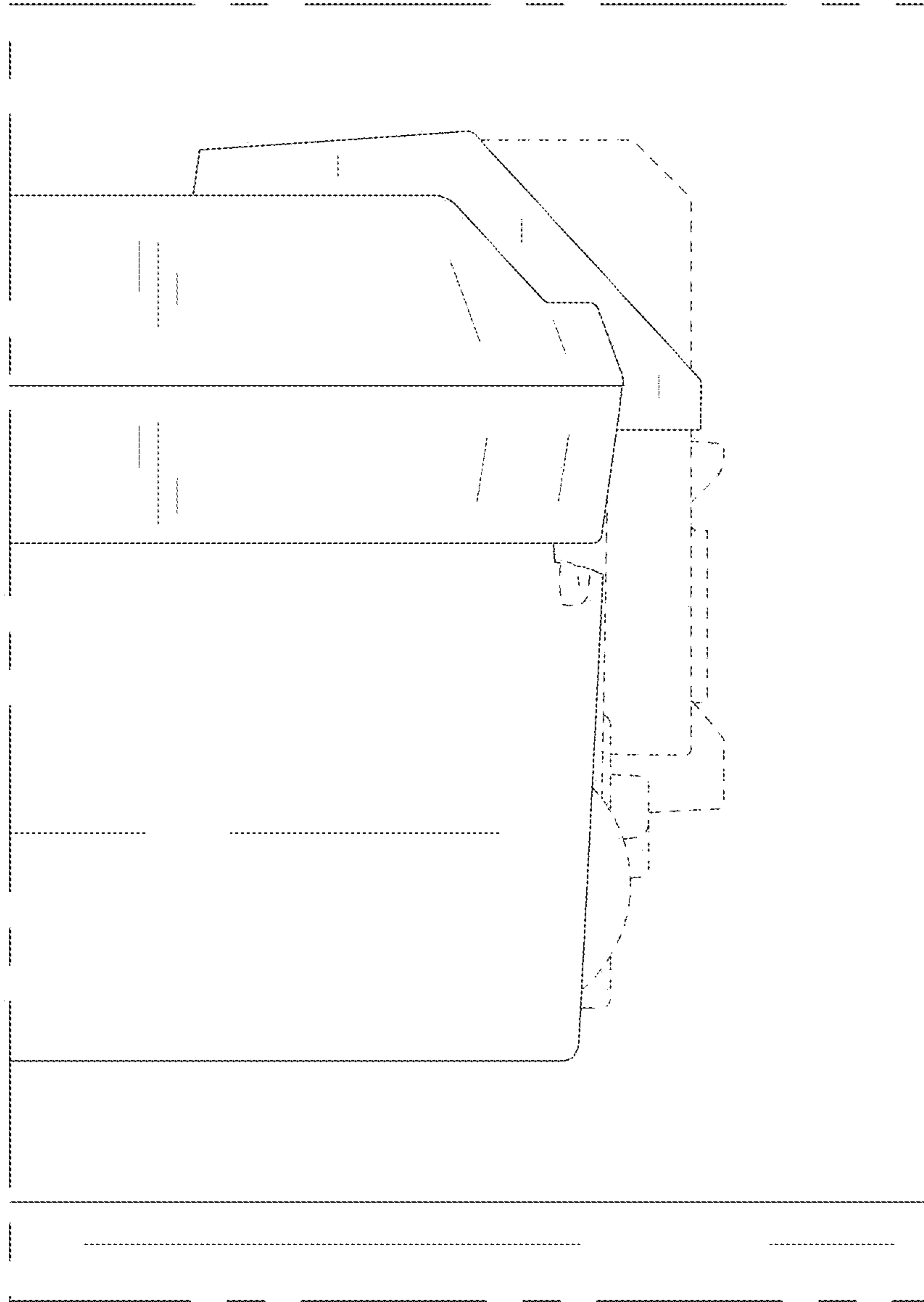


FIG. 13

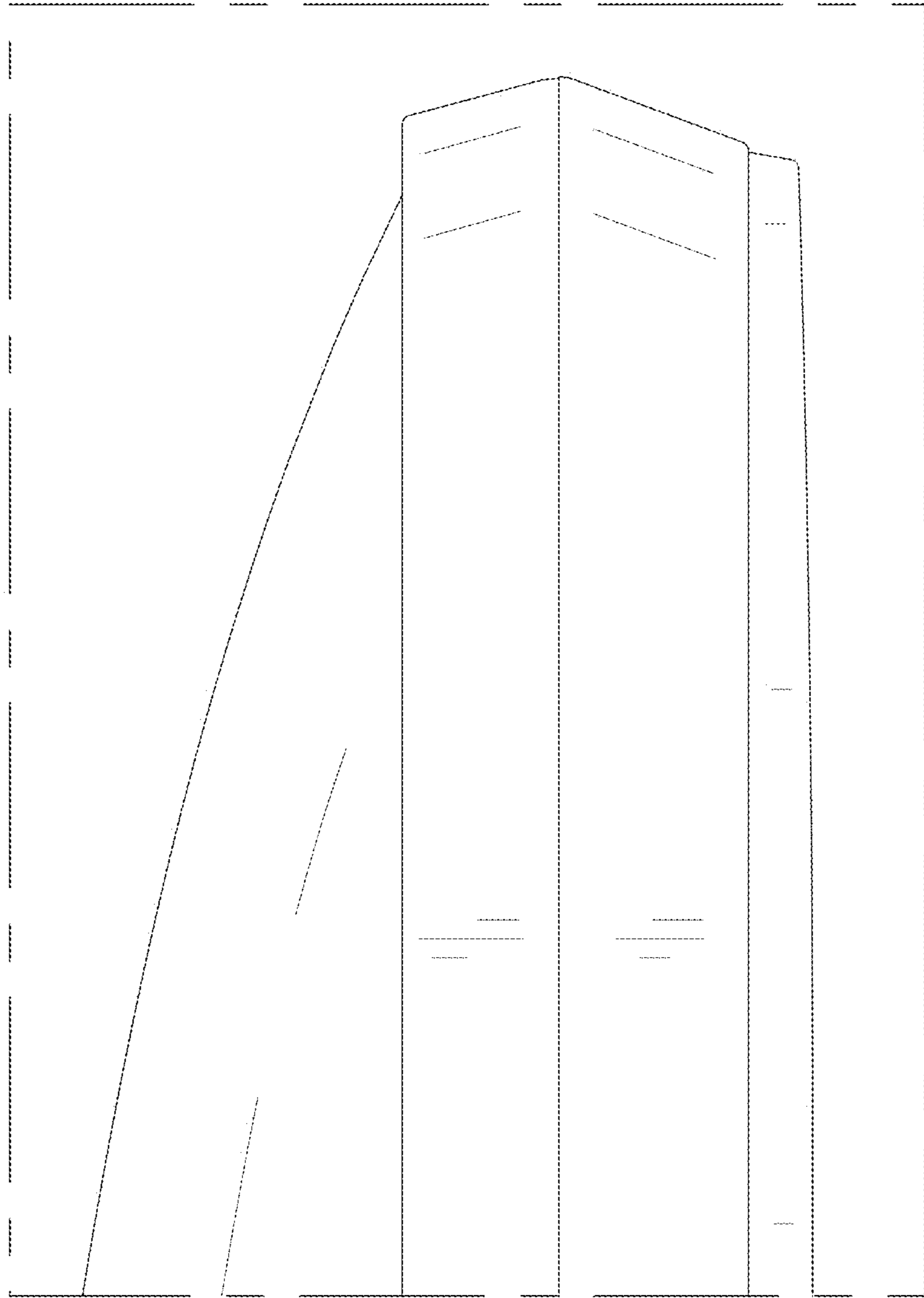


FIG. 14

