



US00D978094S

(12) **United States Design Patent**
Kim et al.

(10) **Patent No.:** **US D978,094 S**

(45) **Date of Patent:** **** Feb. 14, 2023**

(54) **TELEVISION RECEIVER**

(71) Applicant: **Samsung Electronics Co., Ltd.**,
Suwon-si (KR)

(72) Inventors: **Heebong Kim**, Suwon-si (KR); **Minsun Kang**, Suwon-si (KR); **Minhee Lee**, Suwon-si (KR); **Chulyong Cho**, Suwon-si (KR)

(73) Assignee: **Samsung Electronics Co., Ltd.**,
Suwon-si (KR)

(**) Term: **15 Years**

(21) Appl. No.: **29/739,542**

(22) Filed: **Jun. 26, 2020**

(30) **Foreign Application Priority Data**

Dec. 27, 2019 (KR) 30-2019-0063465

(51) **LOC (14) Cl.** **14-03**

(52) **U.S. Cl.**
USPC **D14/126; D14/374**

(58) **Field of Classification Search**
USPC D14/336, 371, 374, 125, 126, 129, 496,
D14/203.1, 203.7; D21/329, 332;
D20/18, 42; D6/308, 310, 708.16, 708.2,
D6/709, 709.2, 710
CPC G06F 1/16; G06F 1/1613; G06F 1/1626;
G06F 1/1632; G06F 1/1633; G06F
1/1641; G06F 1/1692; G06F 1/1601;
H04B 1/03; H04B 1/08; G06Q 20/00;
G06Q 20/08; G06Q 20/20; G06Q
30/0238

See application file for complete search history.

(56) **References Cited**

U.S. PATENT DOCUMENTS

D284,434 S * 7/1986 Boundy D6/709
D508,646 S * 8/2005 Gates D8/381
D524,555 S * 7/2006 Mohundro D6/300

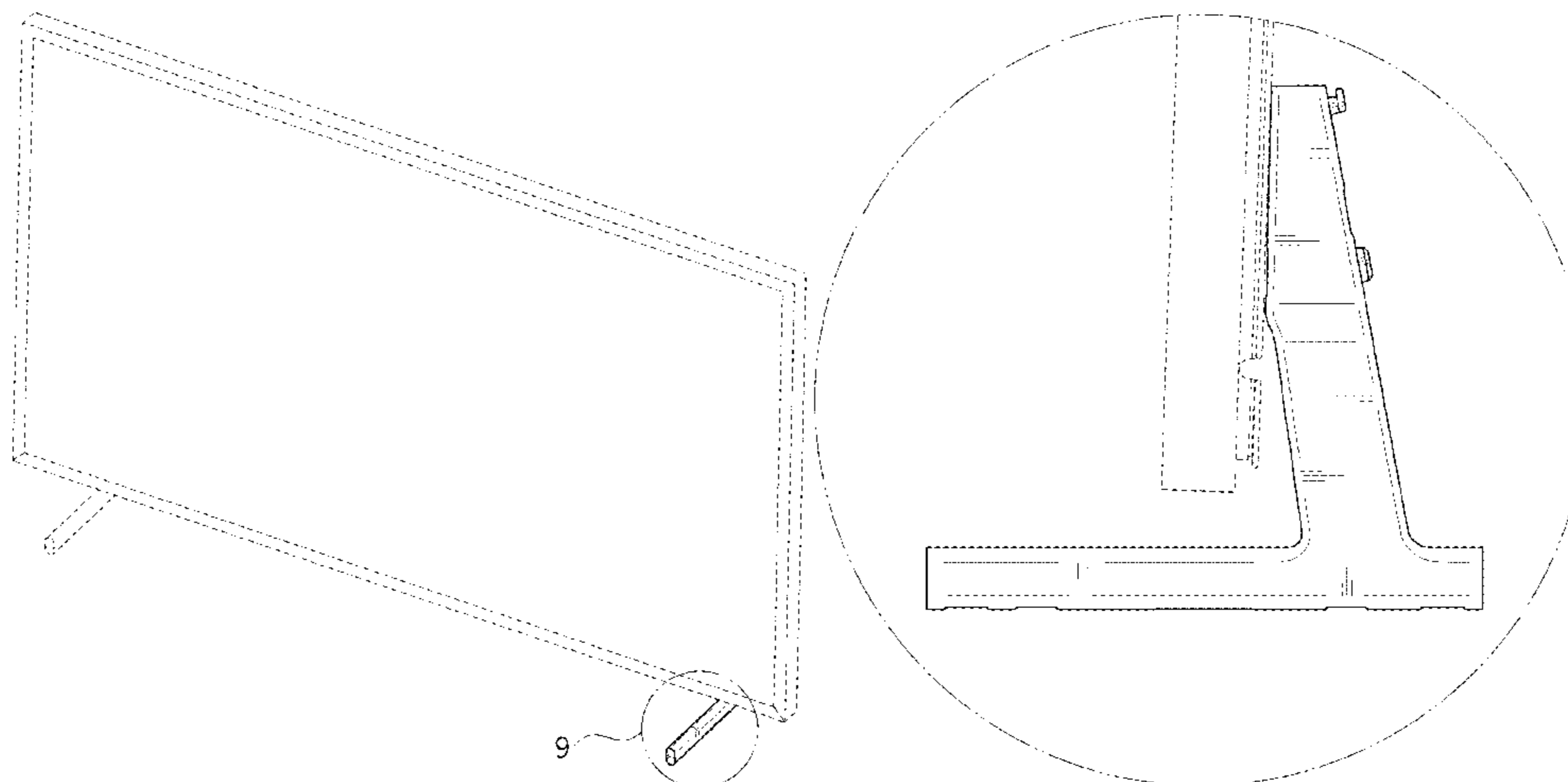
D525,957 S * 8/2006 Rashid D14/126
D555,945 S * 11/2007 Pearsons D6/709
D703,168 S * 4/2014 Won D14/126
D723,486 S * 3/2015 Lee D14/126
D727,302 S * 4/2015 Shin D14/239
D728,527 S * 5/2015 Kim D14/217
D741,273 S * 10/2015 Huh D14/126
D751,049 S * 3/2016 Yoon D14/126
D762,602 S * 8/2016 Han D14/126
D763,609 S * 8/2016 Copier D6/709
D778,854 S * 2/2017 Lee D14/126
D782,431 S * 3/2017 Lee D14/126
D785,581 S * 5/2017 McManigal D14/126
D807,672 S * 1/2018 Babick D6/709
D817,902 S * 5/2018 Lee D14/126
D824,355 S * 7/2018 Kim D14/126
D848,967 S * 5/2019 Kim D14/126
D874,909 S * 2/2020 Marini D8/381
D894,856 S * 9/2020 Kim D14/125
D897,325 S * 9/2020 Lee D14/239
D908,797 S * 1/2021 Lim D14/125
D918,163 S * 5/2021 Kim B64D 11/00154
D14/126
D937,797 S * 12/2021 Lee G06F 1/18
D14/126

FOREIGN PATENT DOCUMENTS

CN 2014303970161 4/2015
CN 2016303572587 1/2017
CN 304657723 * 6/2018
CN 305412896 * 8/2018
CN 2018305922921 10/2019
CN 305472597 * 12/2019
KR 30-2013-0022911 3/2014
KR 30-2013-0039239 5/2014
KR 30-2014-0063517 3/2016
KR 300877051.0000 * 10/2018
KR 300981145.0000 * 11/2018
RU 00117115 * 10/2019

OTHER PUBLICATIONS

Samsung 55-Inch Class Crystal 4K UHD AU8000 Series HDR, May 11, 2021 [online], retrieved Sep. 23, 2022, retrieved from the internet : < https://www.amazon.com/SAMSUNG-55-Inch-Crystal-AU8000-Built/dp/B08Z21BBWK/ref=sr_1_3? > (Year: 2021).*
Samsung QN50LS3AAFXZA 50 Inch, Jun. 13, 2021 [online], retrieved Sep. 23, 2022, retrieved from the internet: < https://www.amazon.com/Samsung-QN50LS03AAFXZA-Premium-Extended-Protection/dp/B08YP8NL2Z/ref=sr_1_16? > (Year: 2021).*



LG 75" SuperSign TV w/4K Ultra HD Quality, date not known [online], retrieved Sep. 23, 2022, retrieved from the internet: < <https://www.displays2go.com/P-55049/Digital-Advertising-TV-LG-SuperSign-Software?> > (Year: 2022).*

LG OLED55GXPUA Alexa Built-In GX Series 55" Gallery Design 4K Smart OLED TV(2020), Nov. 8, 2019 [online], retrieved Sep. 23, 2022, retrieved from the internet: < https://www.amazon.com/LG-OLED55GXPUA-Alexa-Built-Ultra/dp/B0817K3L6W/ref=sr_1_4? > (Year: 2019).*

주식회사 보보. “생생하게 즐기자!! 삼성전자 UHD 4K TV—UN65RU8100FXKR.[출처] 생생하게 즐기자!! 삼성전자 UHD 4K TV—UN65RU8100FXKR.[작성자] 주식회사 보보 ” [2019] www.blog.naver.com Apr. 8, 2019 <https://blog.naver.com/bobo_ecot01/221508427077>.

Samsung. “Samsung 65" Class 4K Ultra HD (2160P) HDR Smart LED TV UN65RU8000 (2019 Model)” [2020] www.walmart.com Jun. 26, 2020 <.

“39" Class—LED—1080p—Smart—HDTV Roku TV” [2016] www.bestbuy.com Jun. 26, 2020 <<https://www.bestbuy.com/site/39-class-led-1080p-smart-hdtv-roku-tv/4863802.p?skuId=4863802>>.

“Samsung—50" Class—LED—NU6900 Series—2160p—Smart—4K UHD TV with HDR” [2018] www.bestbuy.com Jun. 26, 2020 <<https://www.bestbuy.com/site/samsung-50-class-led-nu6900-series-2160p-smart-4k-uhd-tv-with-hdr/6268403.p?skuId=6268403>>.

Olano, Antonio. “Kinetic Control” [2016] www.behance.net Jun. 18, 2016 <https://www.behance.net/gallery/38537697/Kinetic-Control?tracking_source=search%7Csmart%20TV>.

“智能电视交互新方式——联想 65i3 现场简单体验评测” [2017] www.znds.com Apr. 25, 2017 <<https://www.znds.com/tv-724012-1-1.html>>.

Kottke, Jason. “Fifteen Dieter Rams classic designs” [2011] www.kottke.org Oct. 17, 2011 <<https://kottke.org/11/10/fifteen-dieter-rams-classic-designs>>.

* cited by examiner

Primary Examiner — Messina L Smith

Assistant Examiner — Rodolfo Castro, Jr.

(74) *Attorney, Agent, or Firm* — NSIP Law

(57) **CLAIM**

We claim the ornamental design for a television receiver, as shown and described.

DESCRIPTION

FIG. 1 is a front perspective view of a first embodiment of a television receiver showing our new design;

FIG. 2 is a front view thereof;

FIG. 3 is a rear view thereof;

FIG. 4 is a left-side view thereof;

FIG. 5 is a right-side view thereof;

FIG. 6 is a top view thereof;

FIG. 7 is a bottom view thereof;

FIG. 8 is a rear perspective view thereof;

FIG. 9 is an enlarged view of the encircled portion in FIG. 1;

FIG. 10 is an enlarged view of the encircled portion in FIG. 2;

FIG. 11 is an enlarged view of the encircled portion in FIG. 3;

FIG. 12 is an enlarged view of the encircled portion in FIG. 5;

FIG. 13 is an enlarged view of the encircled portion in FIG. 6;

FIG. 14 is an enlarged view of the encircled portion in FIG. 7;

FIG. 15 is an enlarged view of the encircled portion in FIG. 8;

FIG. 16 is a front perspective view of a second embodiment of the television receiver showing our new design;

FIG. 17 is a front view thereof;

FIG. 18 is a rear view thereof;

FIG. 19 is a left-side view thereof;

FIG. 20 is a right-side view thereof;

FIG. 21 is a top view thereof;

FIG. 22 is a bottom view thereof;

FIG. 23 is a rear perspective view thereof;

FIG. 24 is an enlarged view of the encircled portion in FIG. 16;

FIG. 25 is an enlarged view of the encircled portion in FIG. 17;

FIG. 26 is an enlarged view of the encircled portion in FIG. 18;

FIG. 27 is an enlarged view of the encircled portion in FIG. 20;

FIG. 28 is an enlarged view of the encircled portion in FIG. 21;

FIG. 29 is an enlarged view of the encircled portion in FIG. 22;

FIG. 30 is an enlarged view of the encircled portion in FIG. 23;

FIG. 31 is a front perspective view of a third embodiment of the television receiver showing our new design;

FIG. 32 is a front view thereof;

FIG. 33 is a rear view thereof;

FIG. 34 is a left-side view thereof;

FIG. 35 is a right-side view thereof;

FIG. 36 is a top view thereof;

FIG. 37 is a bottom view thereof;

FIG. 38 is a rear perspective view thereof;

FIG. 39 is an enlarged view of the encircled portion in FIG. 31;

FIG. 40 is an enlarged view of the encircled portion in FIG. 32;

FIG. 41 is an enlarged view of the encircled portion in FIG. 33;

FIG. 42 is an enlarged view of the encircled portion in FIG. 35;

FIG. 43 is an enlarged view of the encircled portion in FIG. 37; and,

FIG. 44 is an enlarged view of the encircled portion in FIG. 38.

The short dash-dash broken lines in the figures showing portions of the television receiver form no part of the claimed design.

The dot-dot-dash broken lines encircling portions of the claimed design that are illustrated in enlargements form no part of the claimed design.

FIG. 1

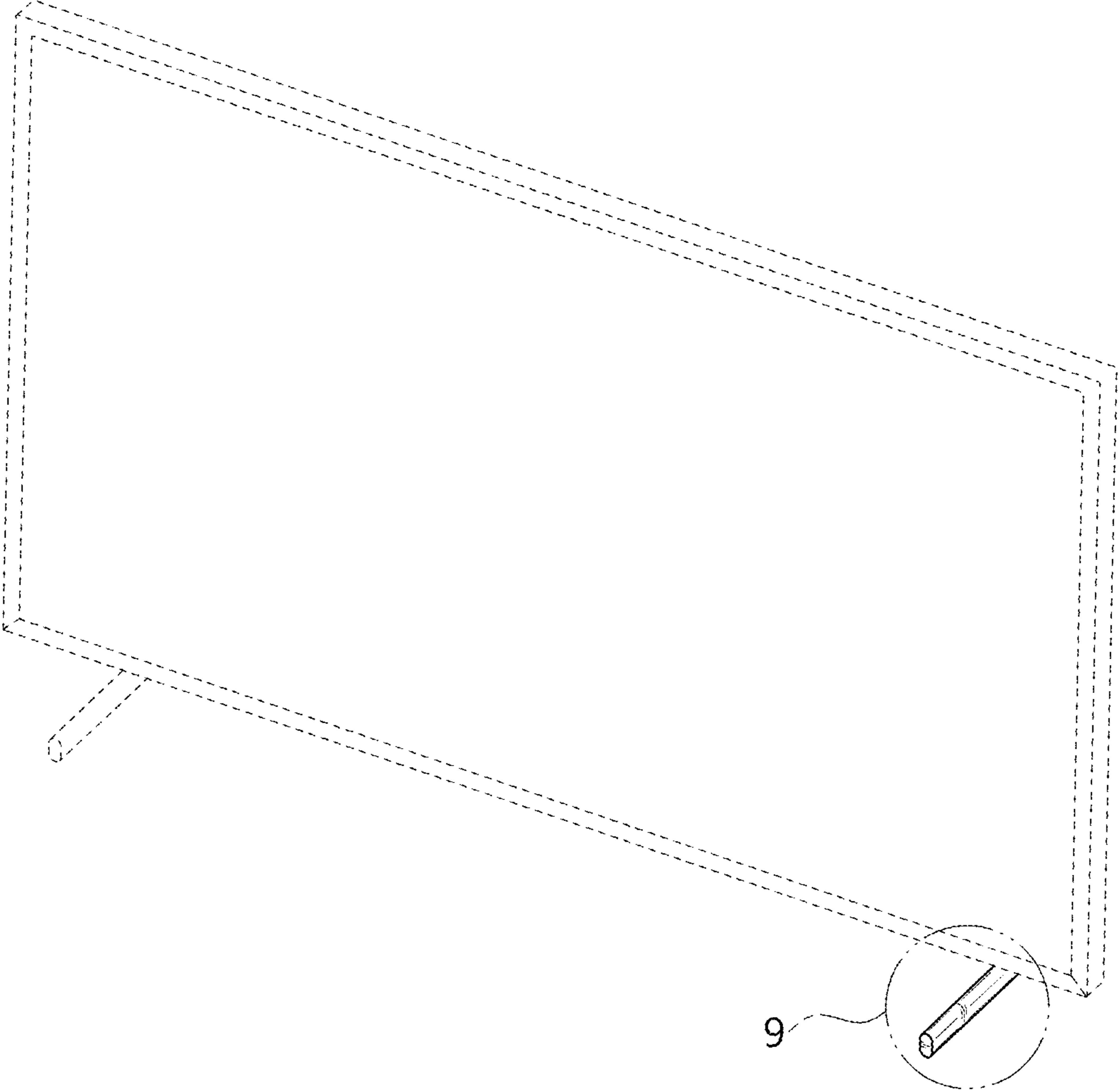


FIG. 2



FIG. 3

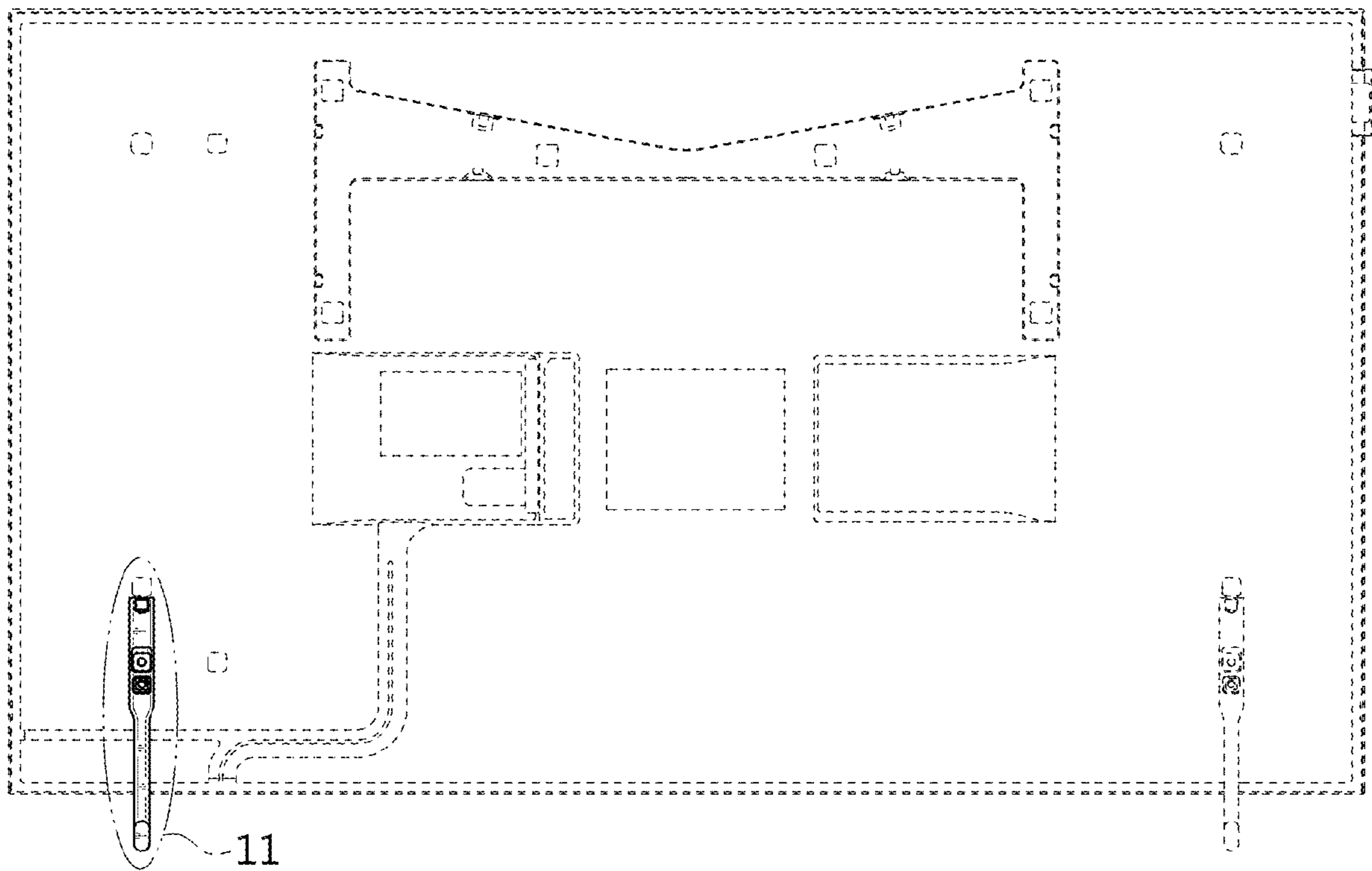


FIG. 4

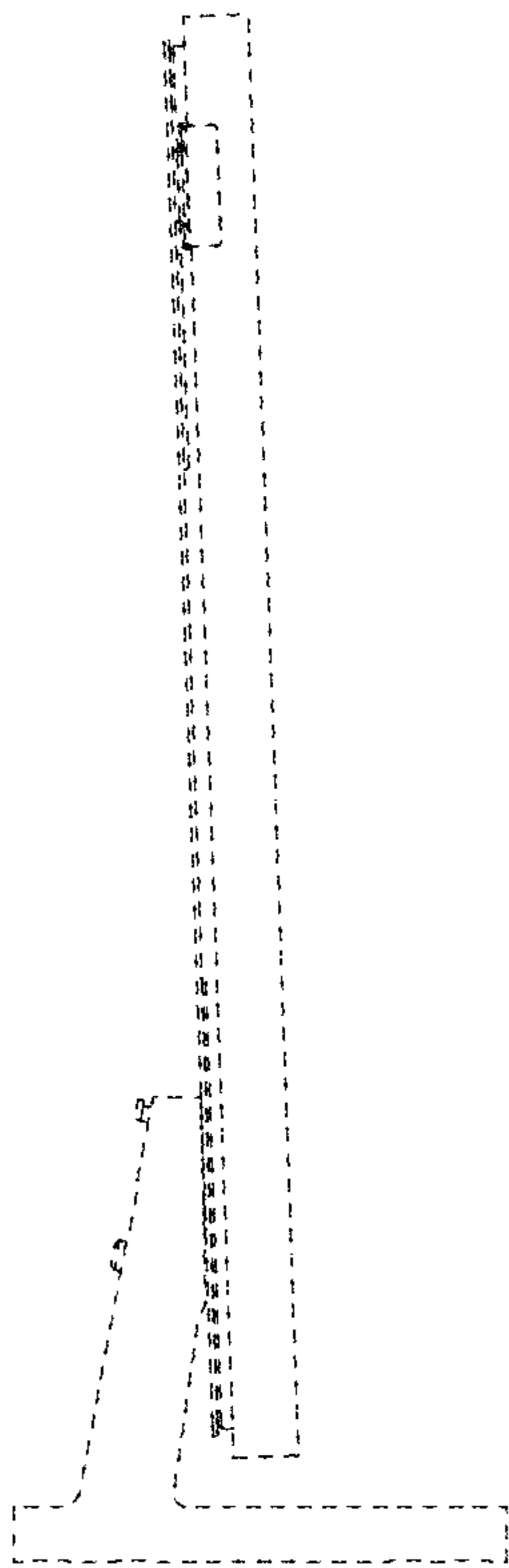


FIG. 5

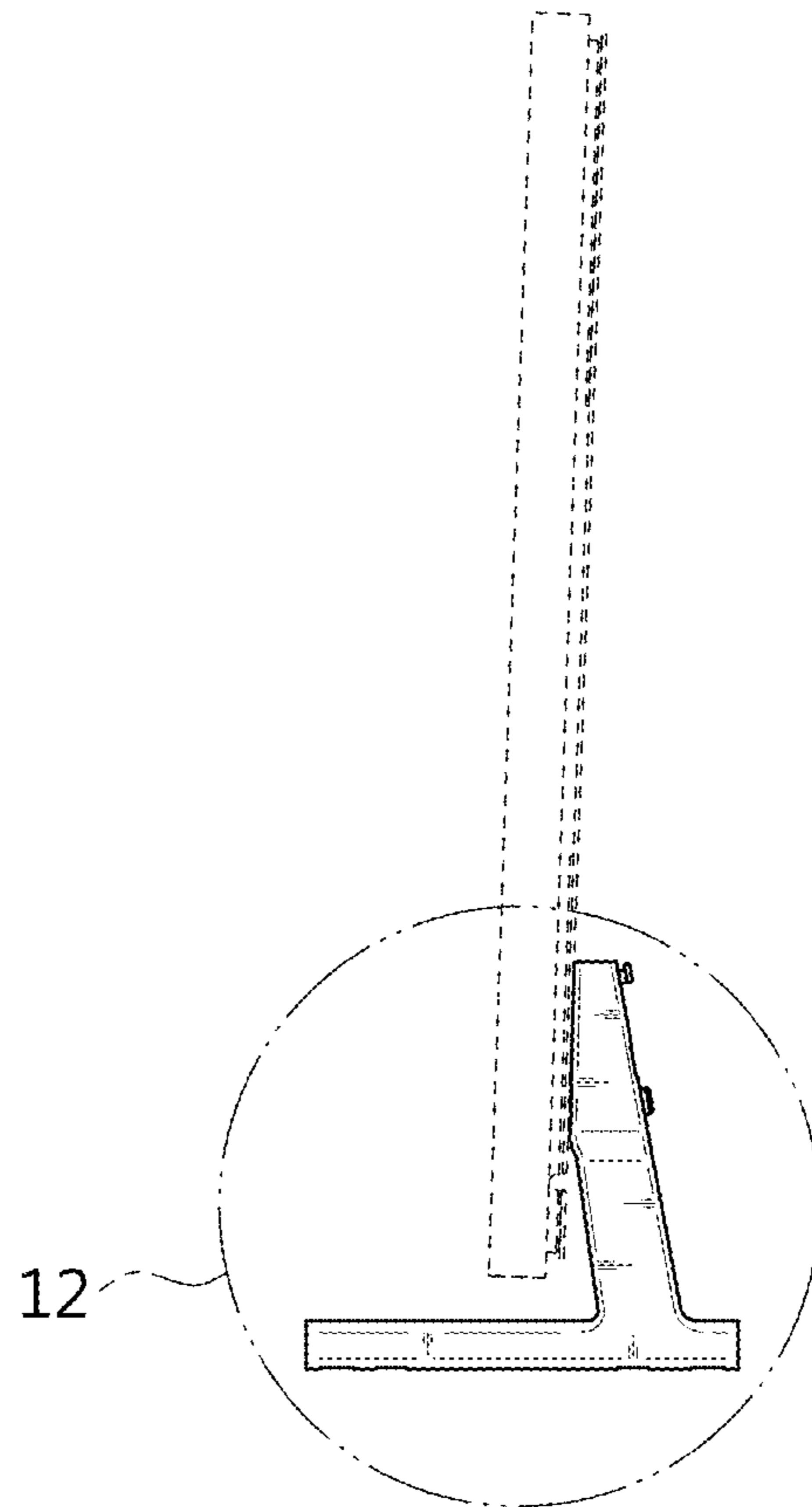


FIG. 6

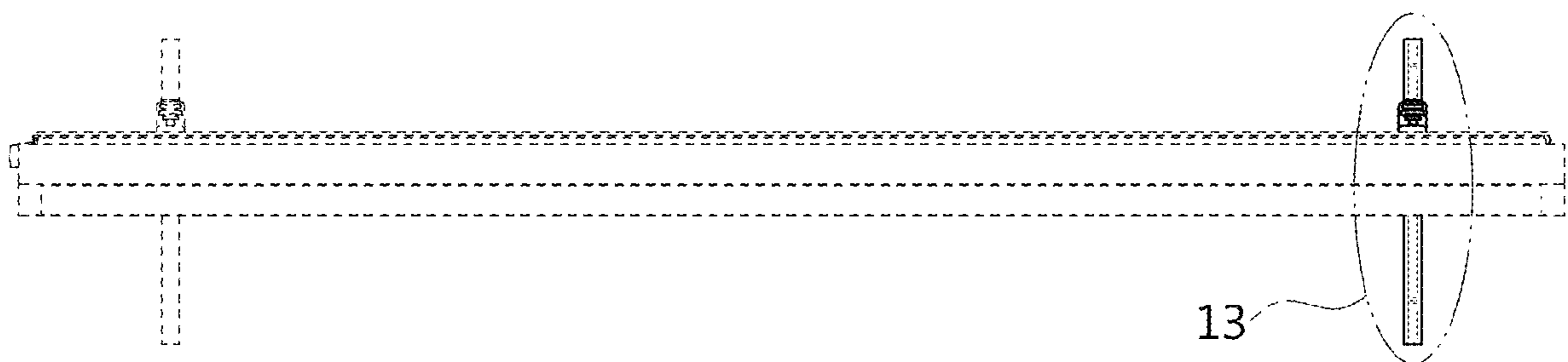


FIG. 7

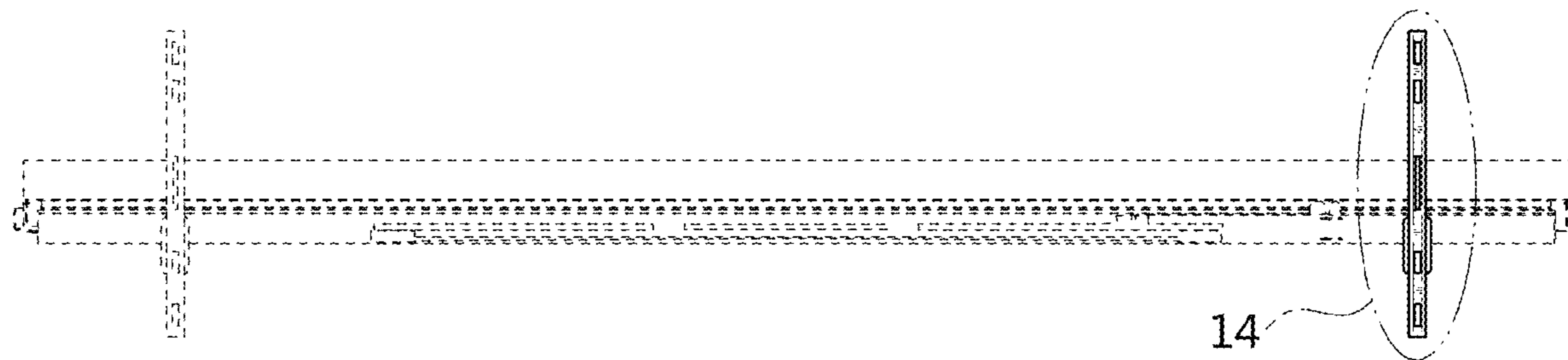


FIG. 8

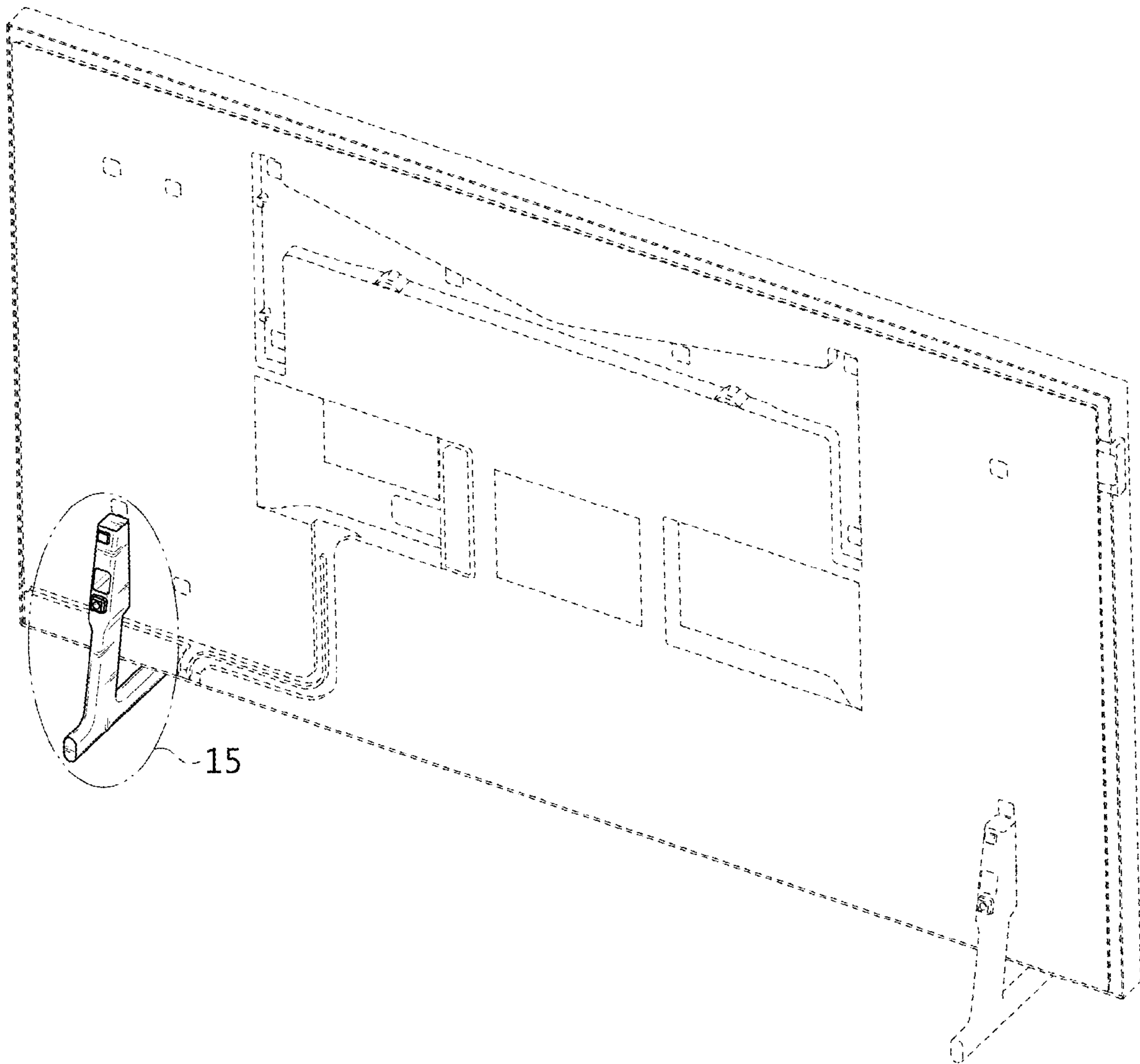


FIG. 9

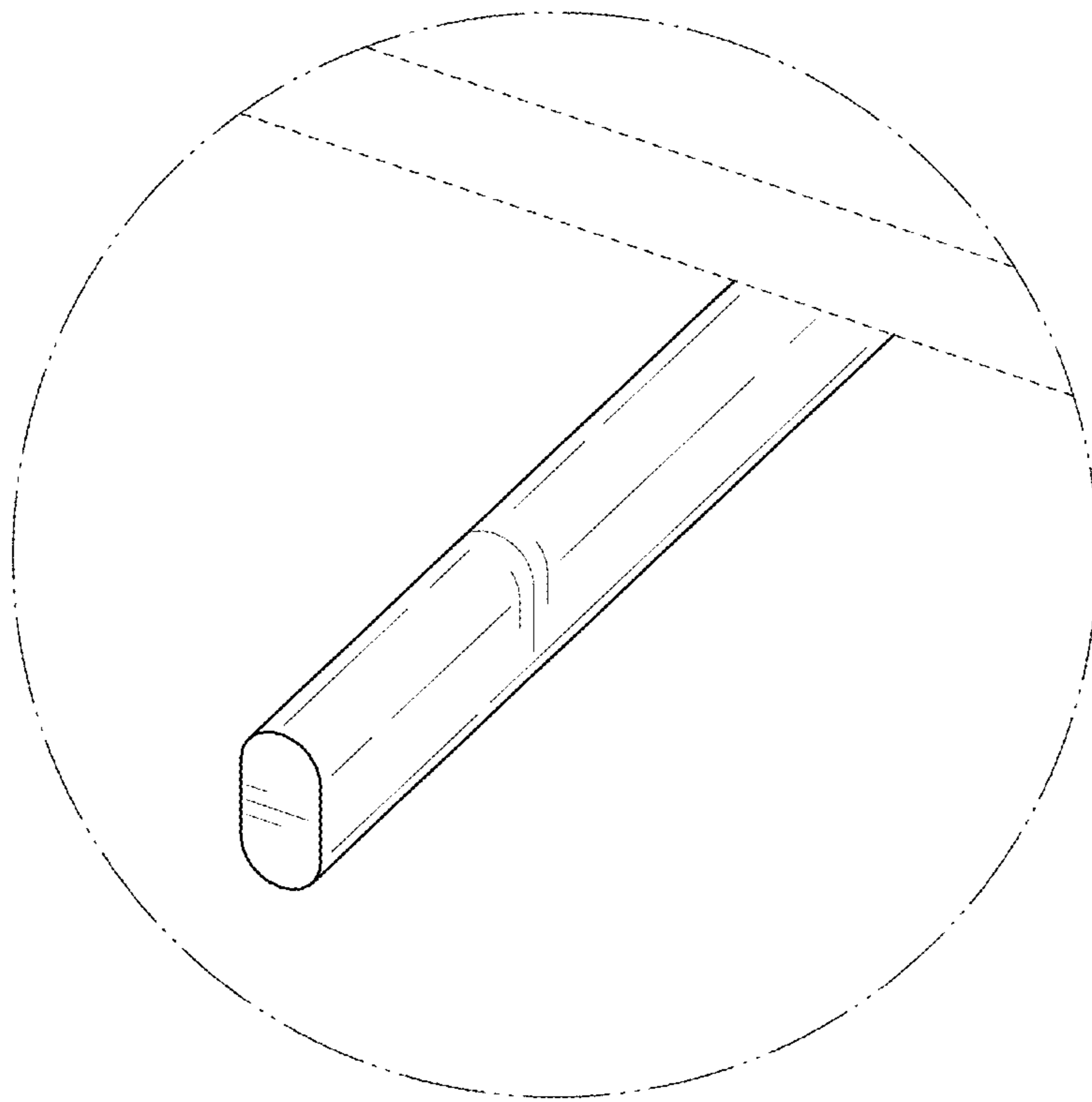


FIG. 10

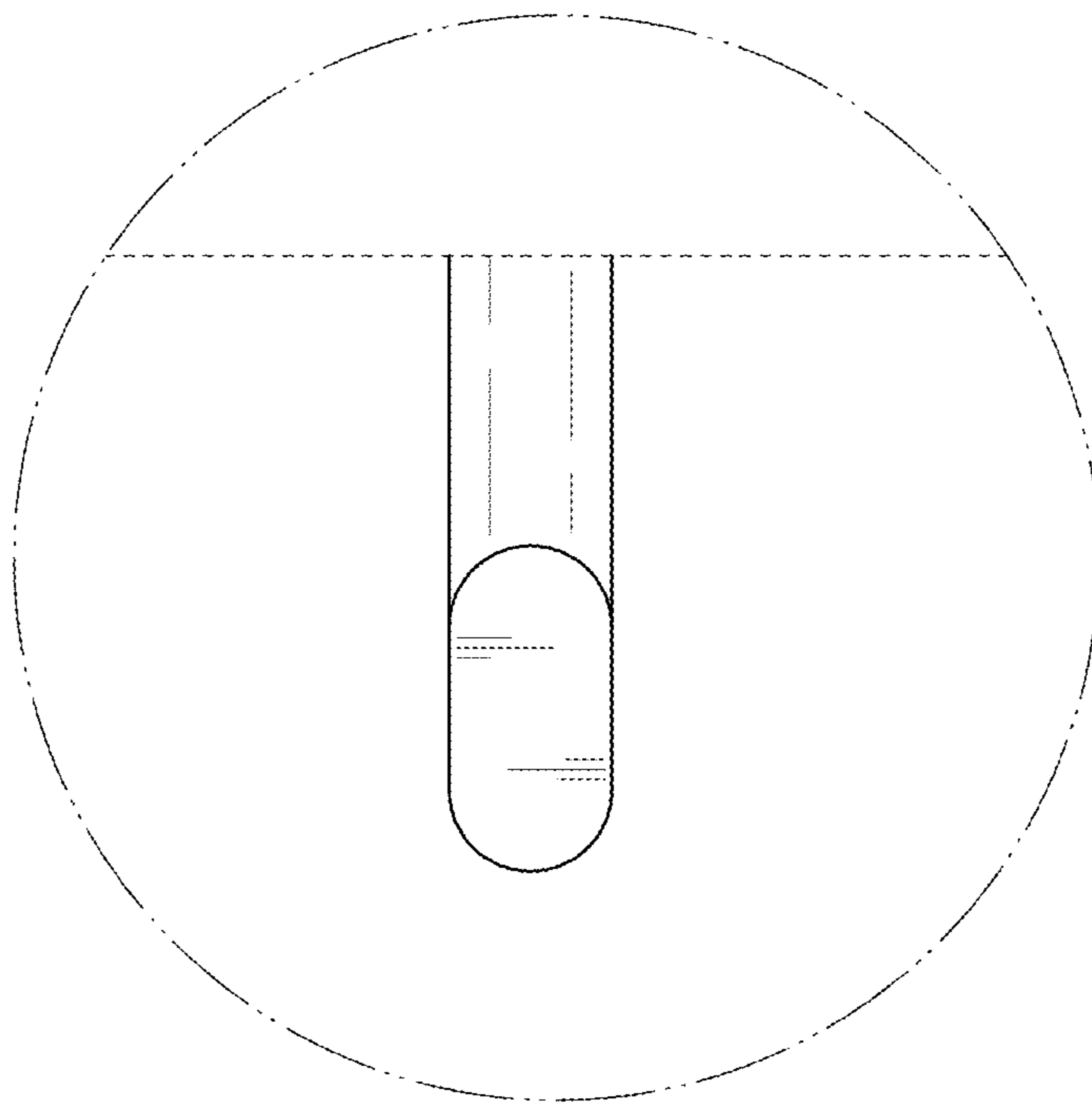


FIG. 11

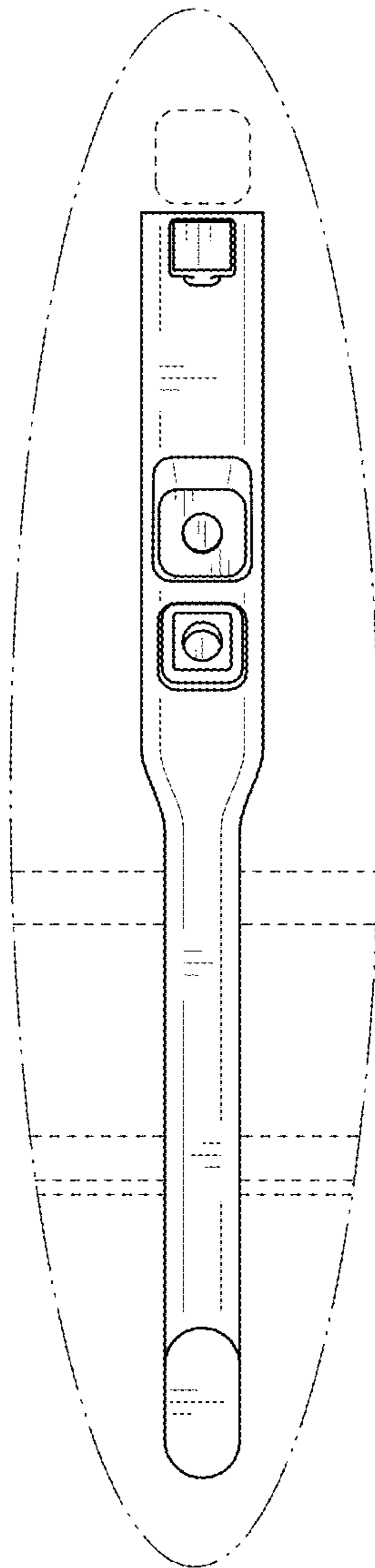


FIG. 12

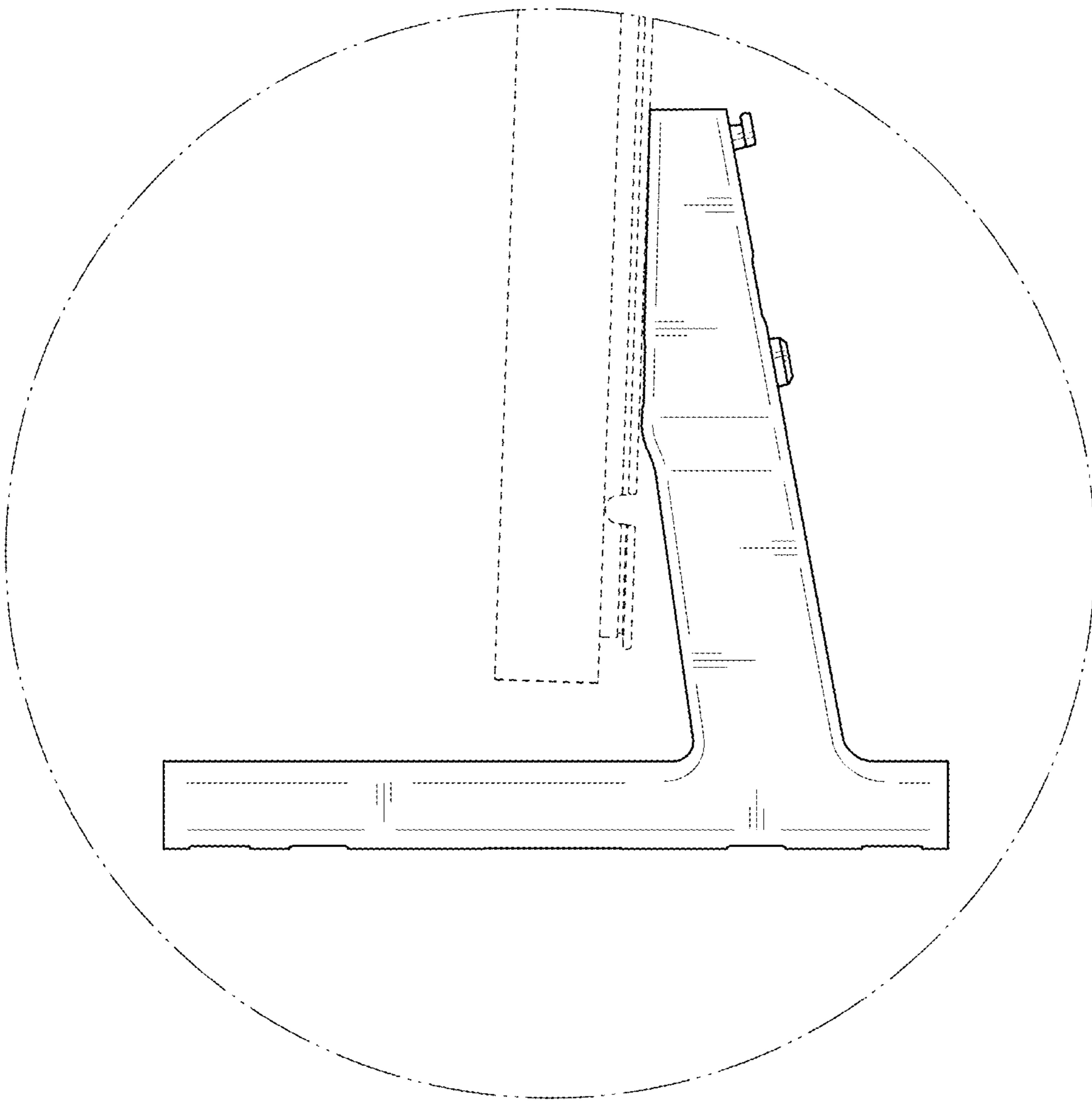


FIG. 13

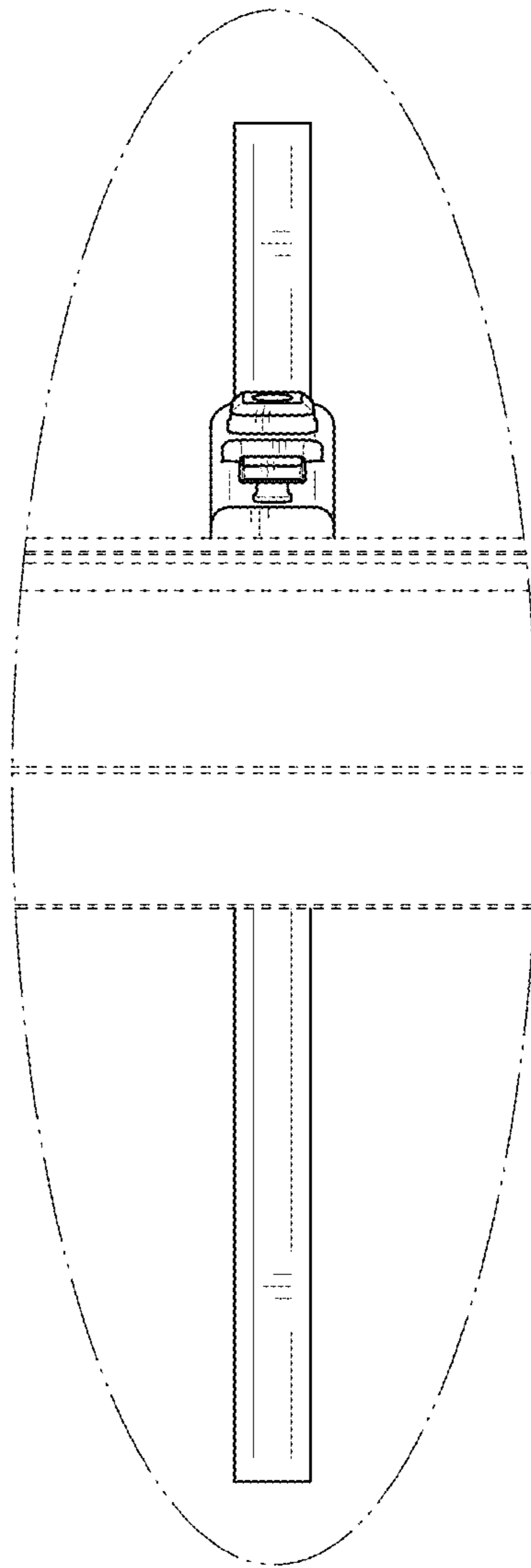


FIG. 14

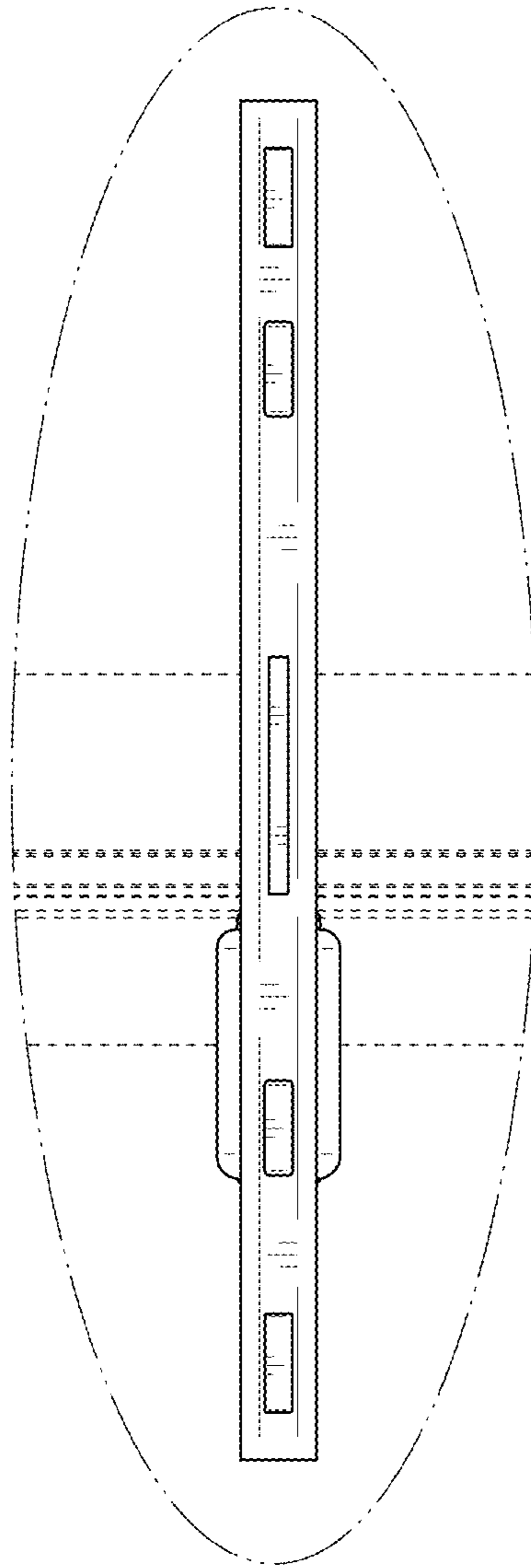


FIG. 15

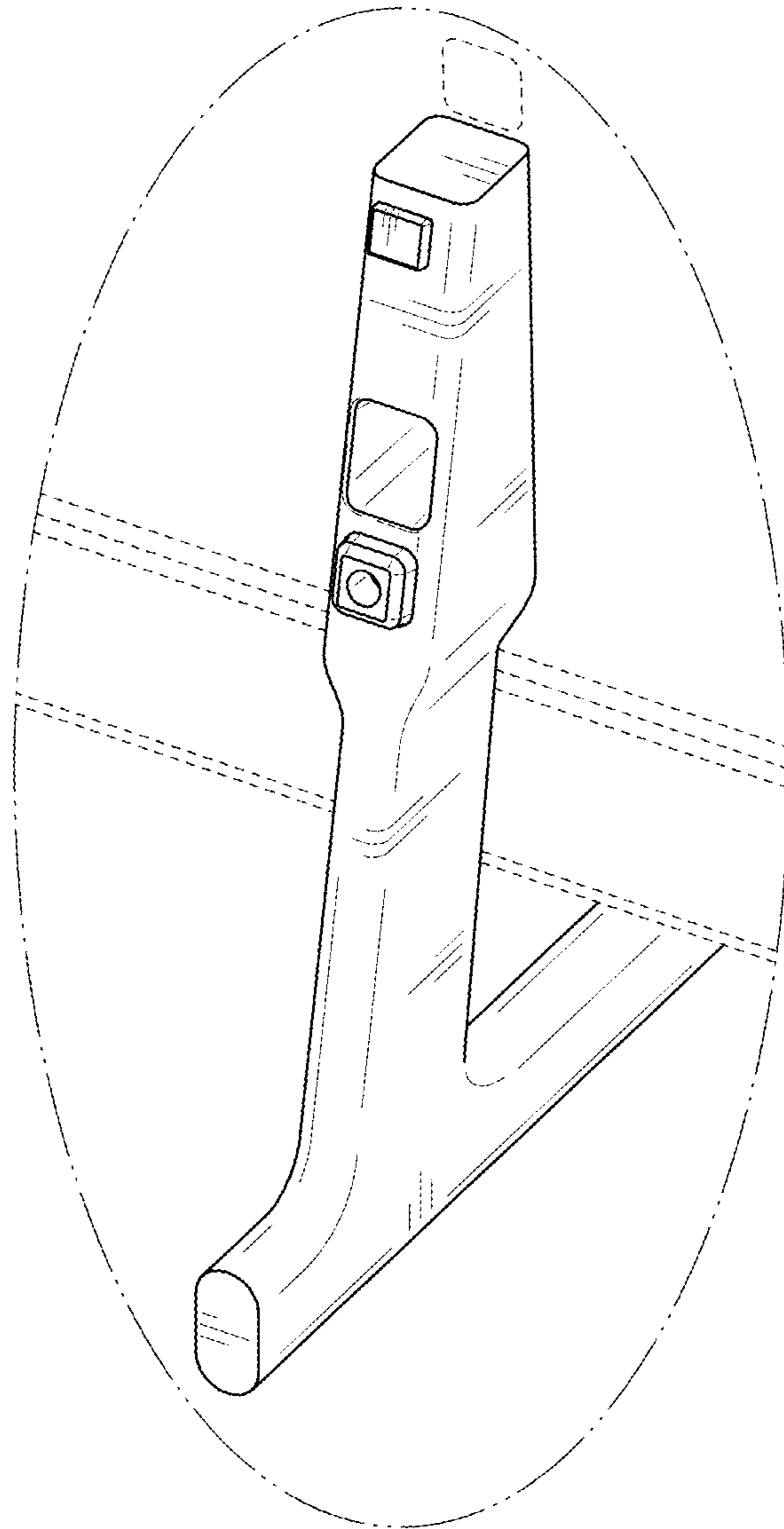


FIG. 16

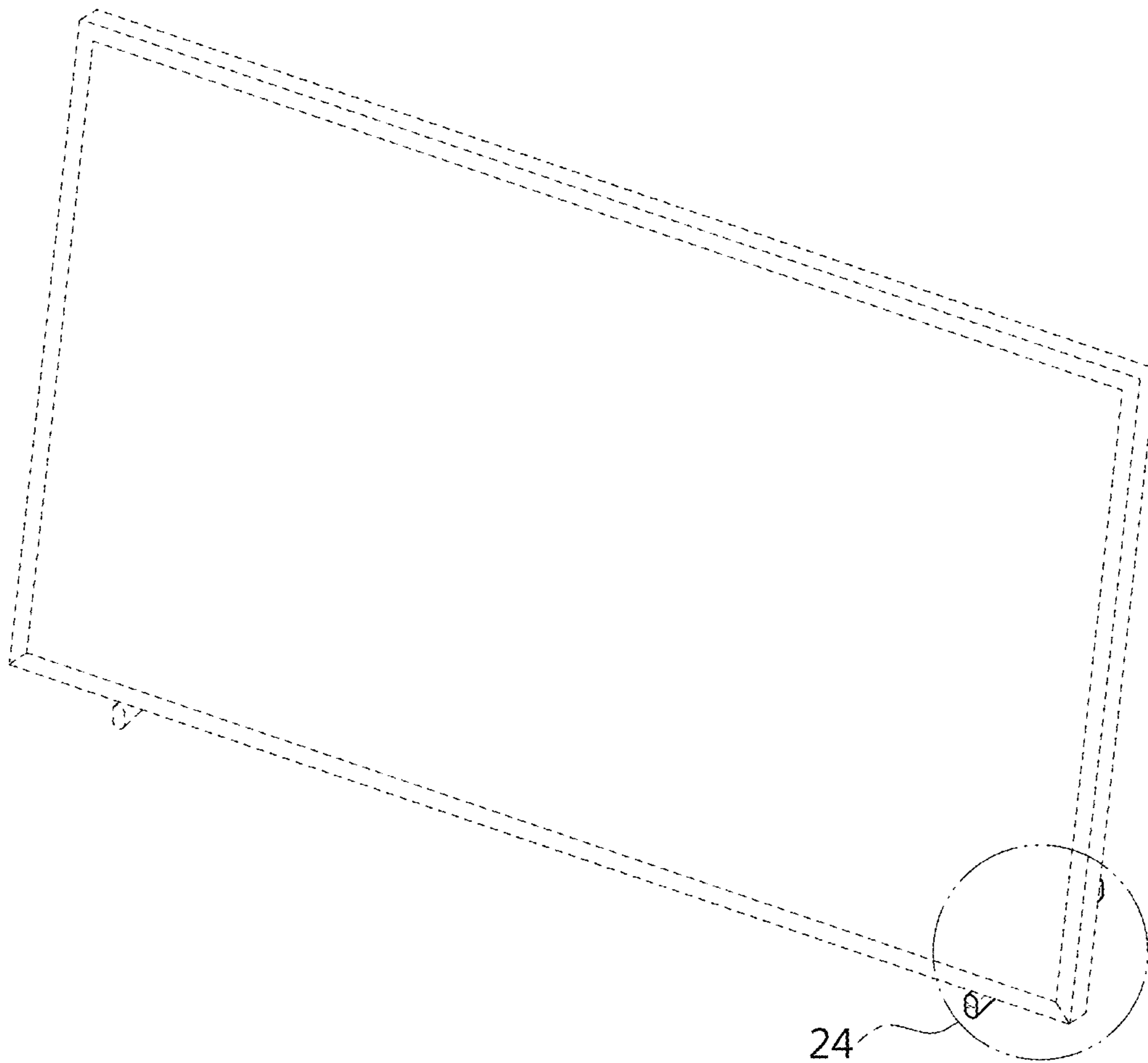


FIG. 17



FIG. 18

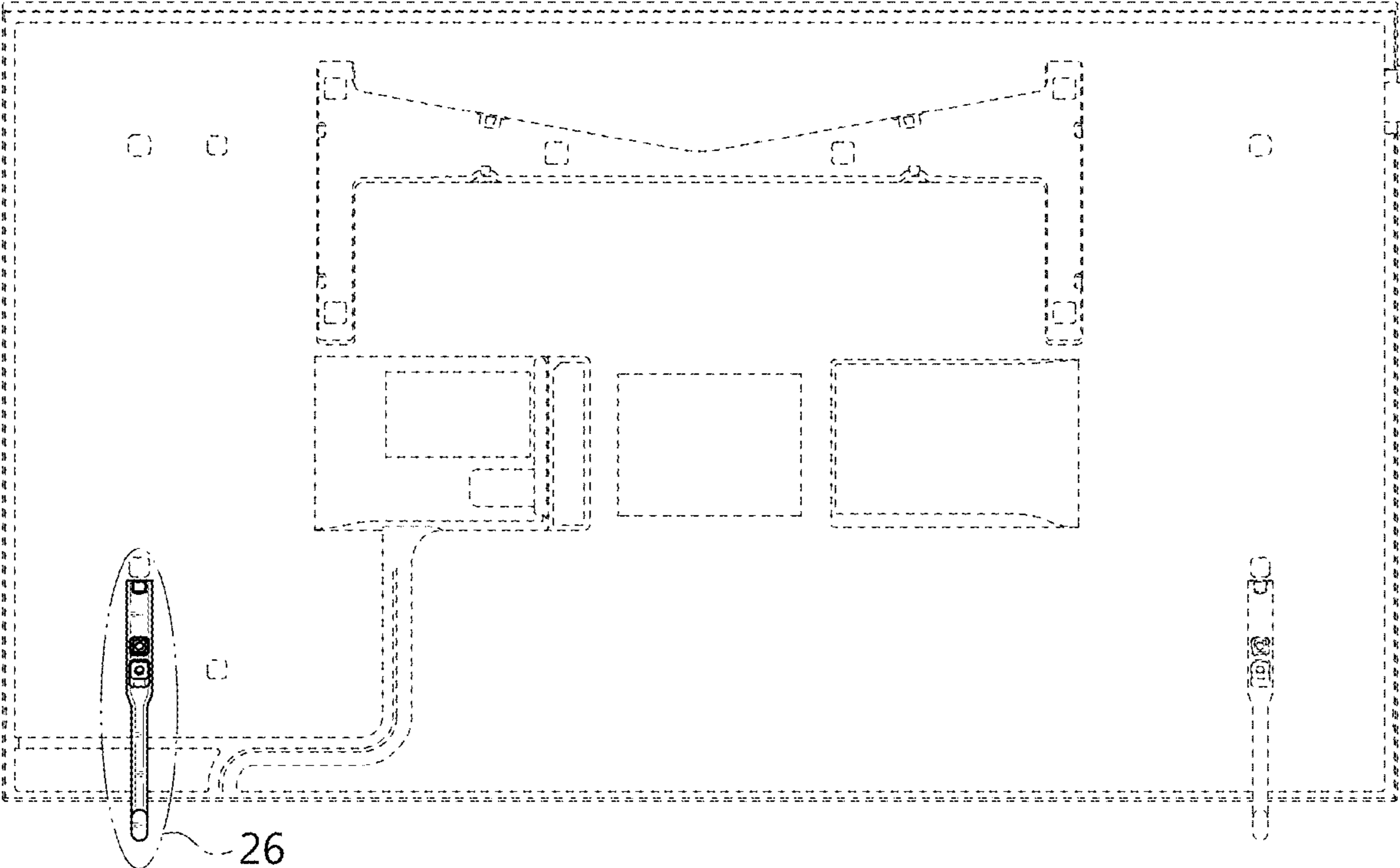


FIG. 19

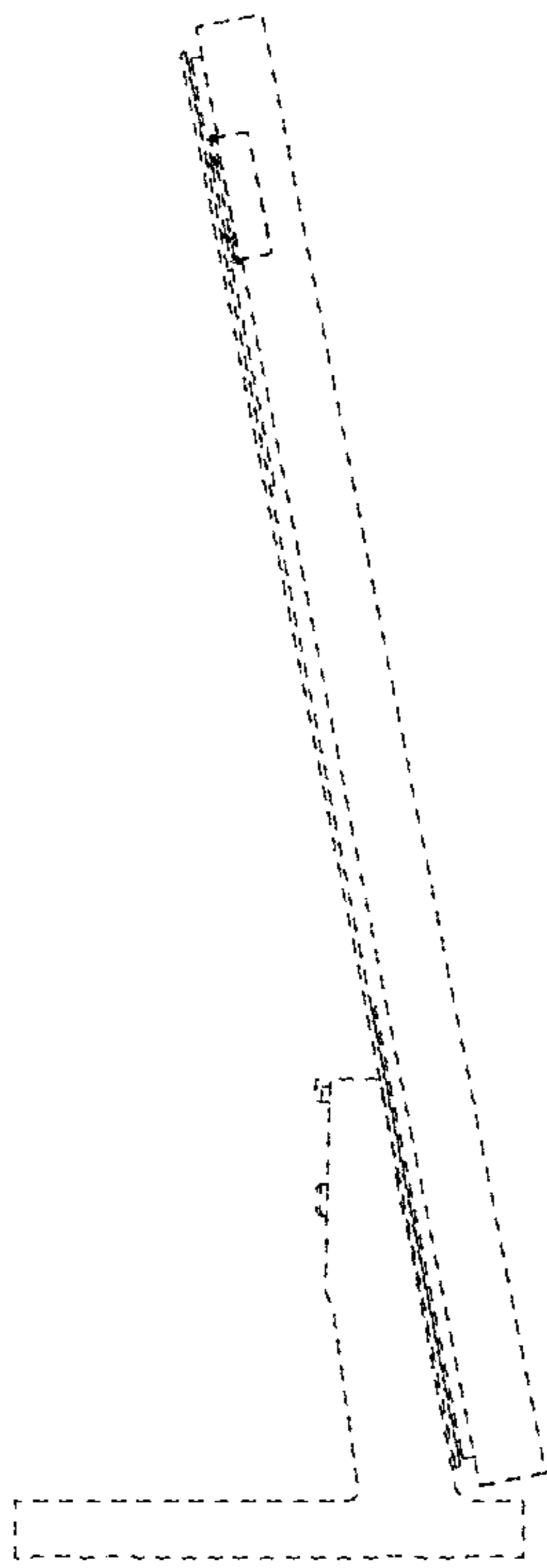


FIG. 20

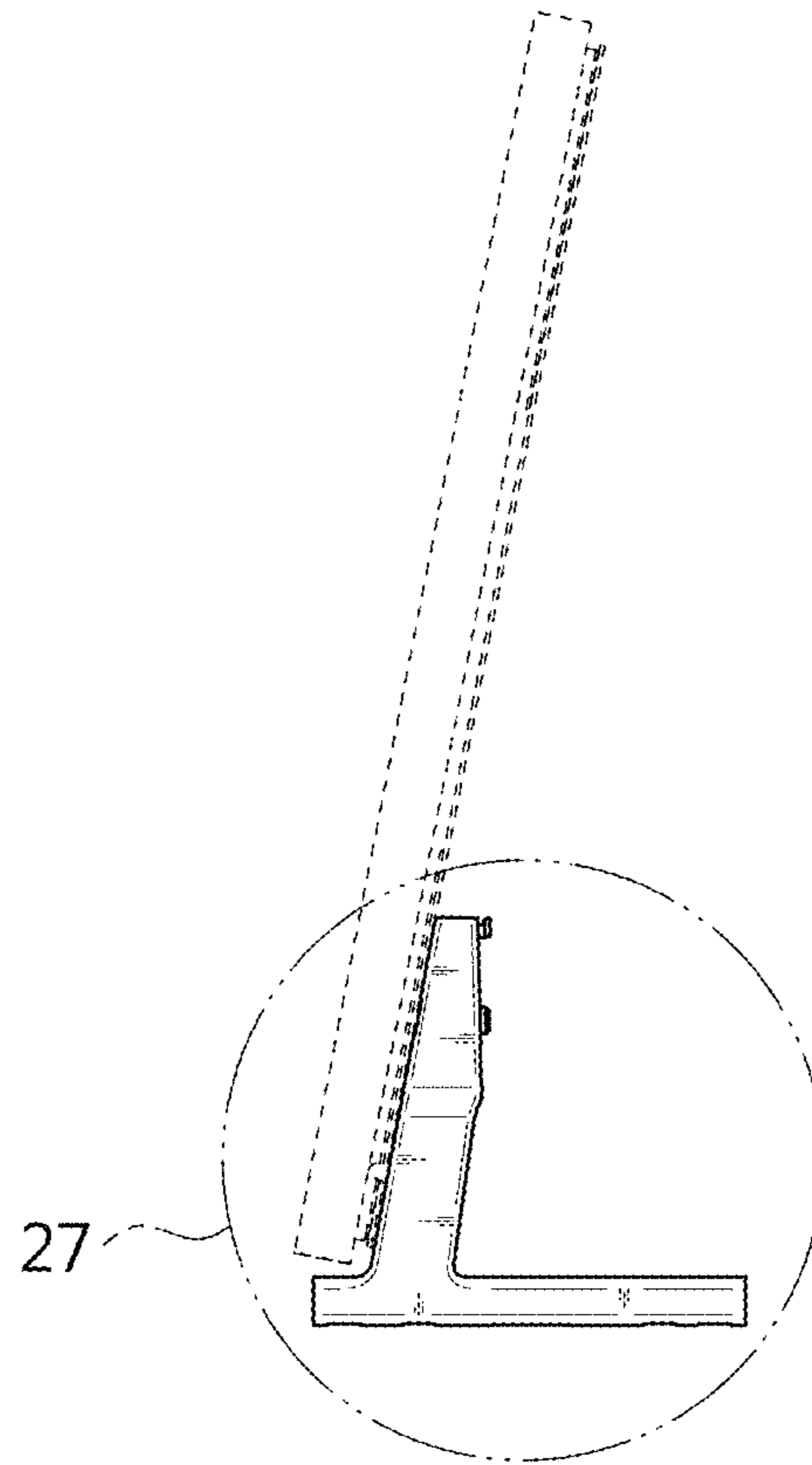


FIG. 21

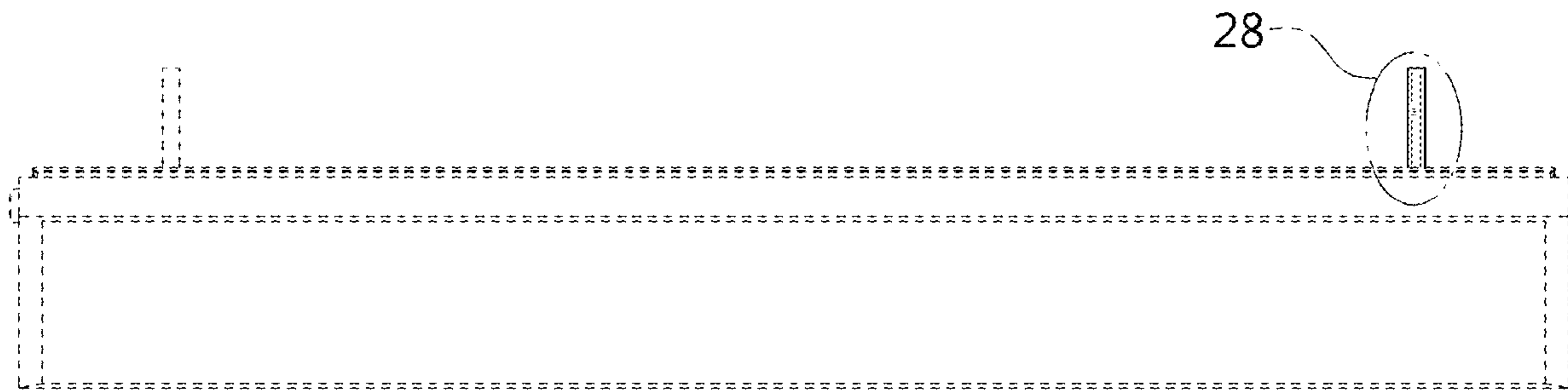


FIG. 22

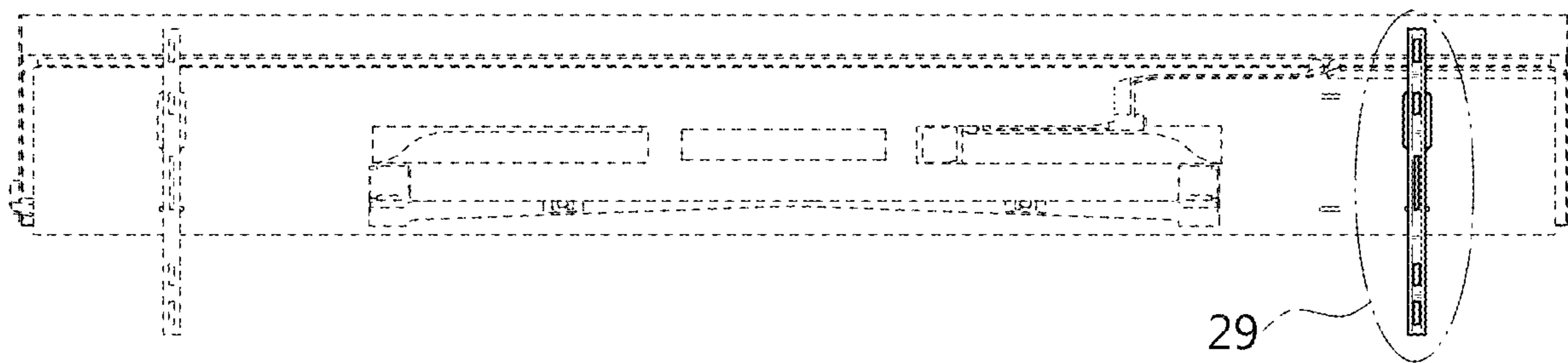


FIG. 23

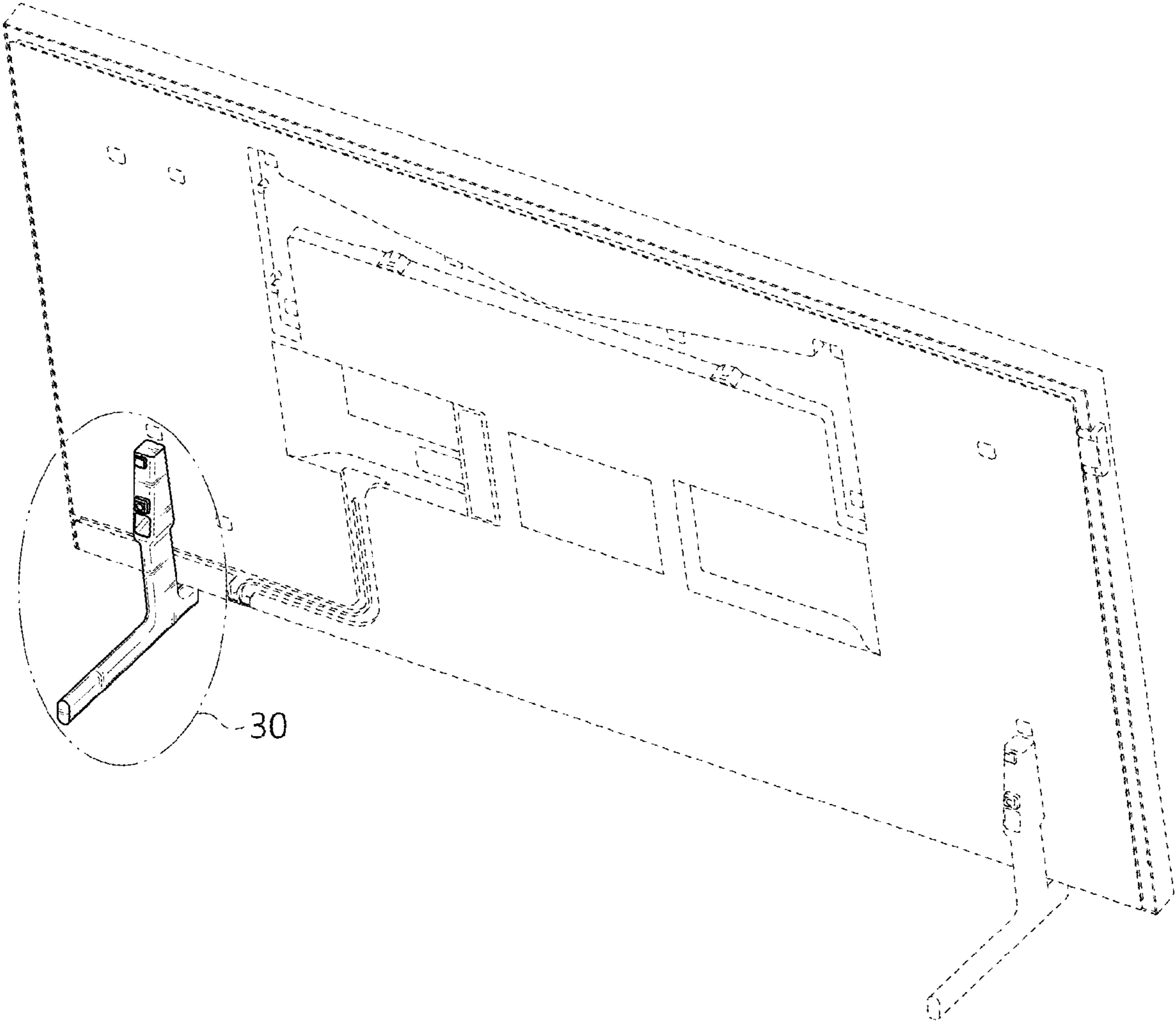


FIG. 24

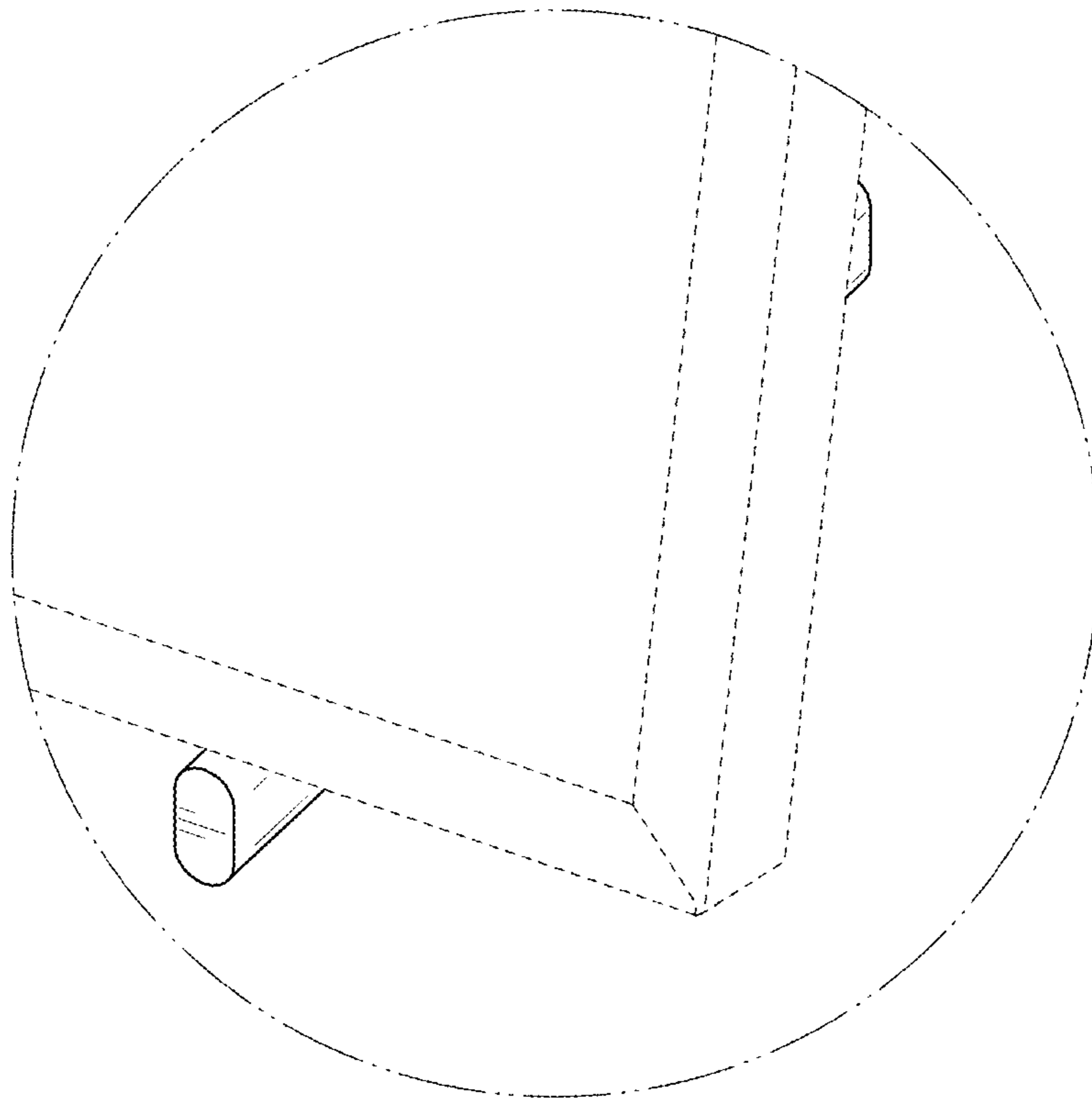


FIG. 25

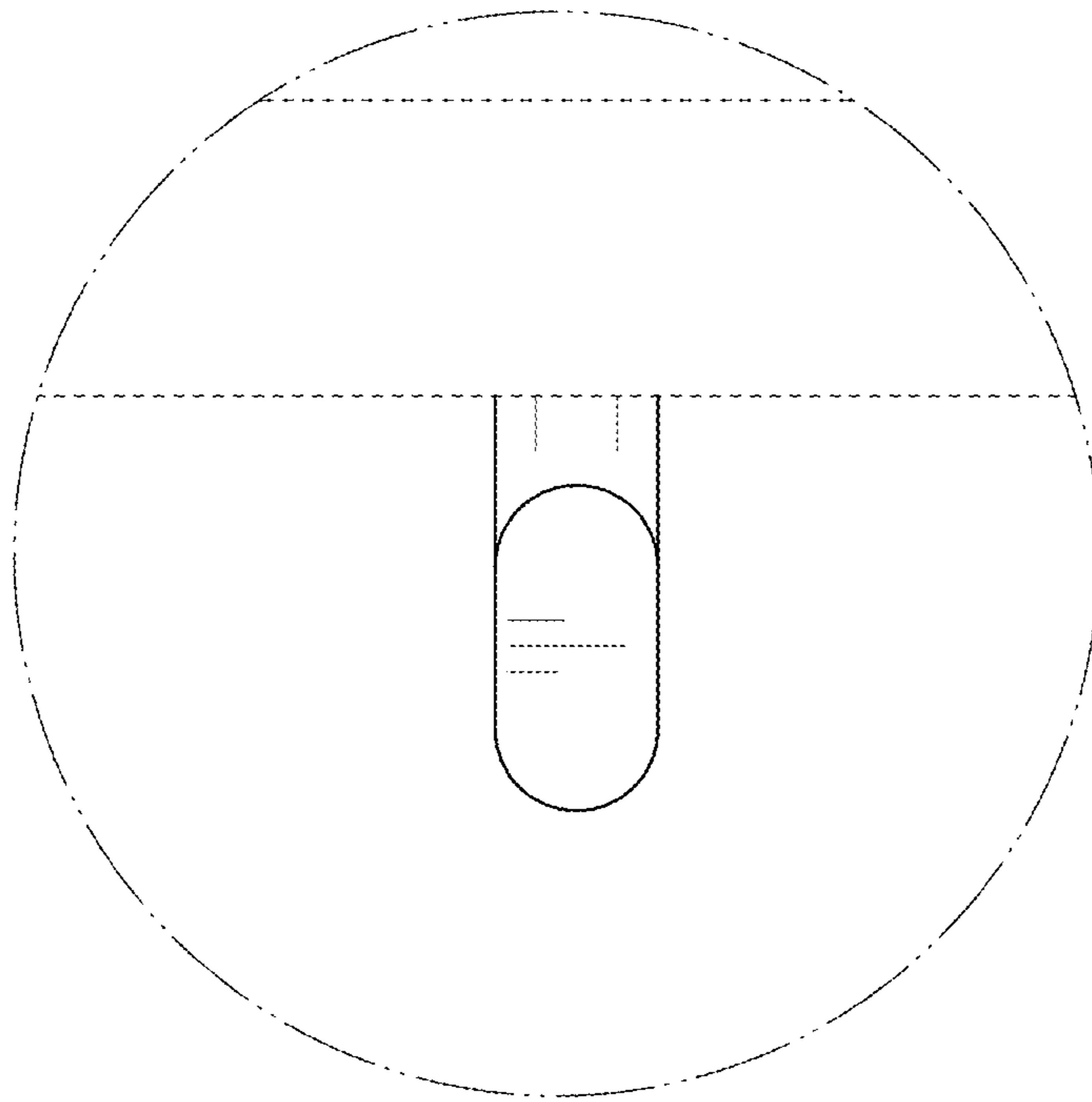


FIG. 26

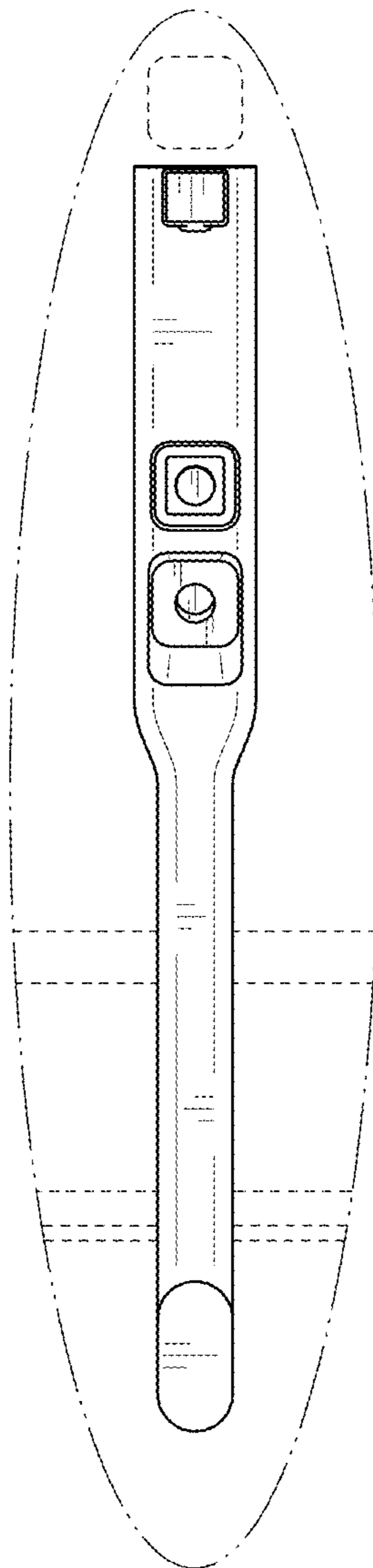


FIG. 27

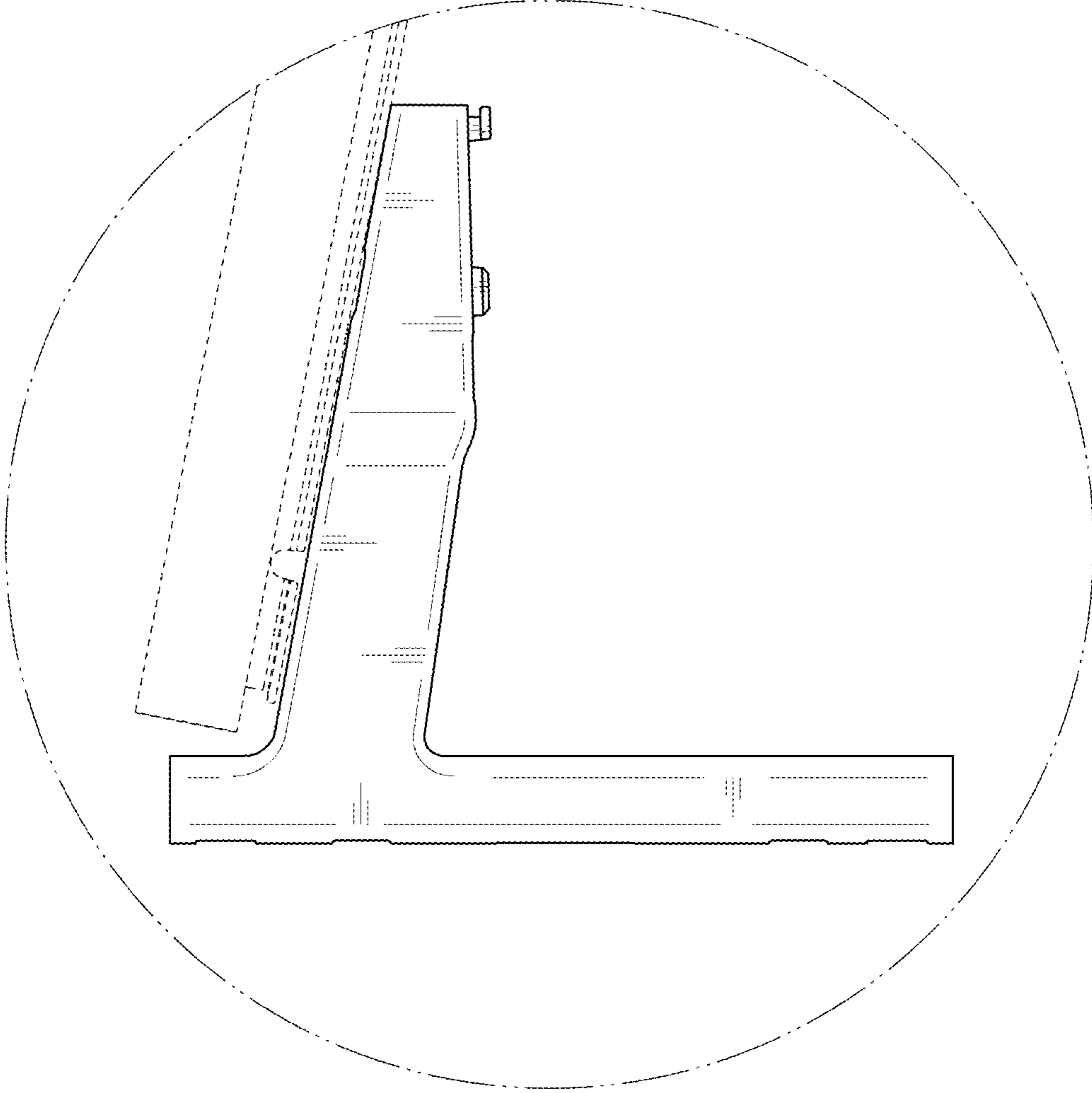


FIG. 28

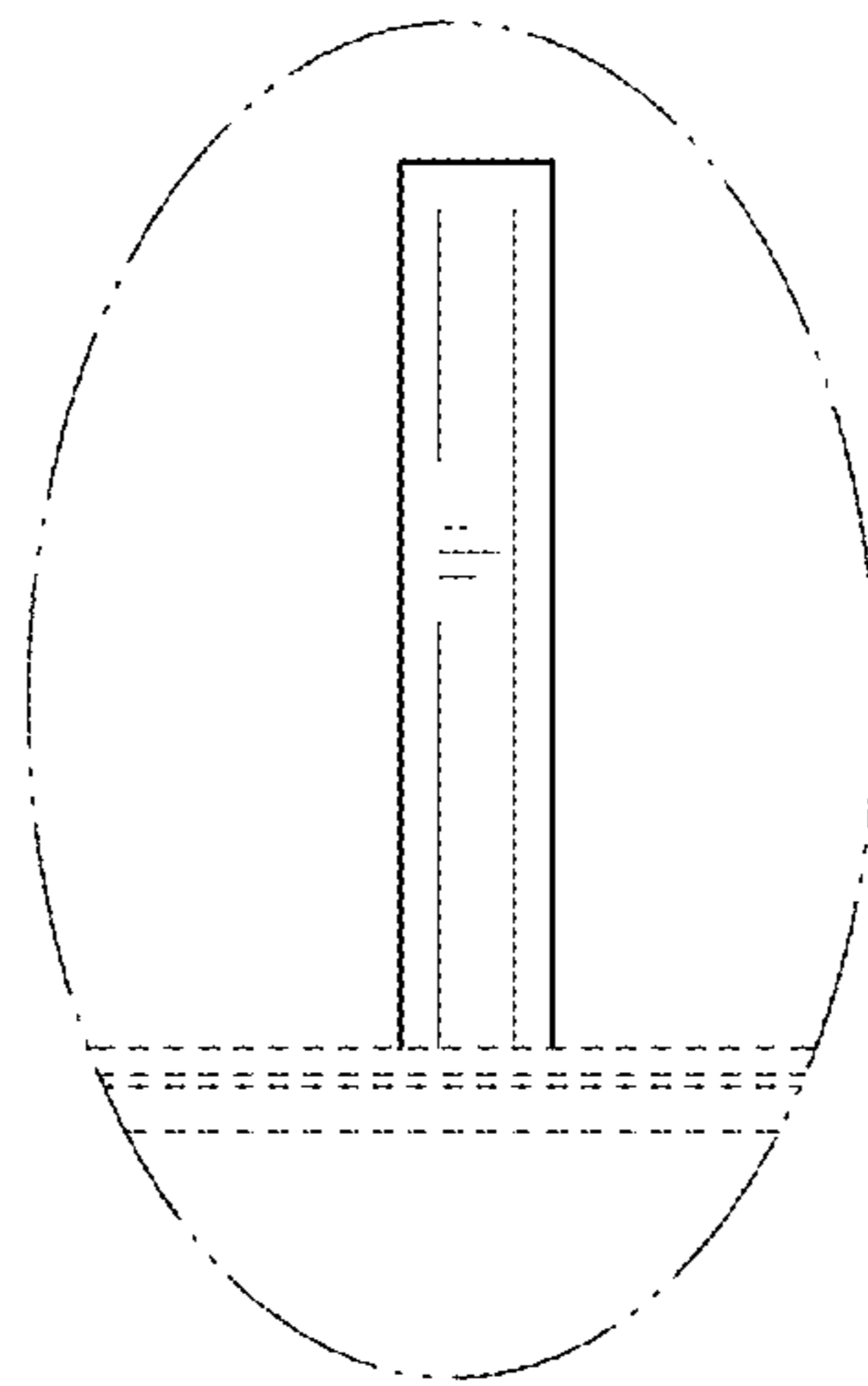


FIG. 29

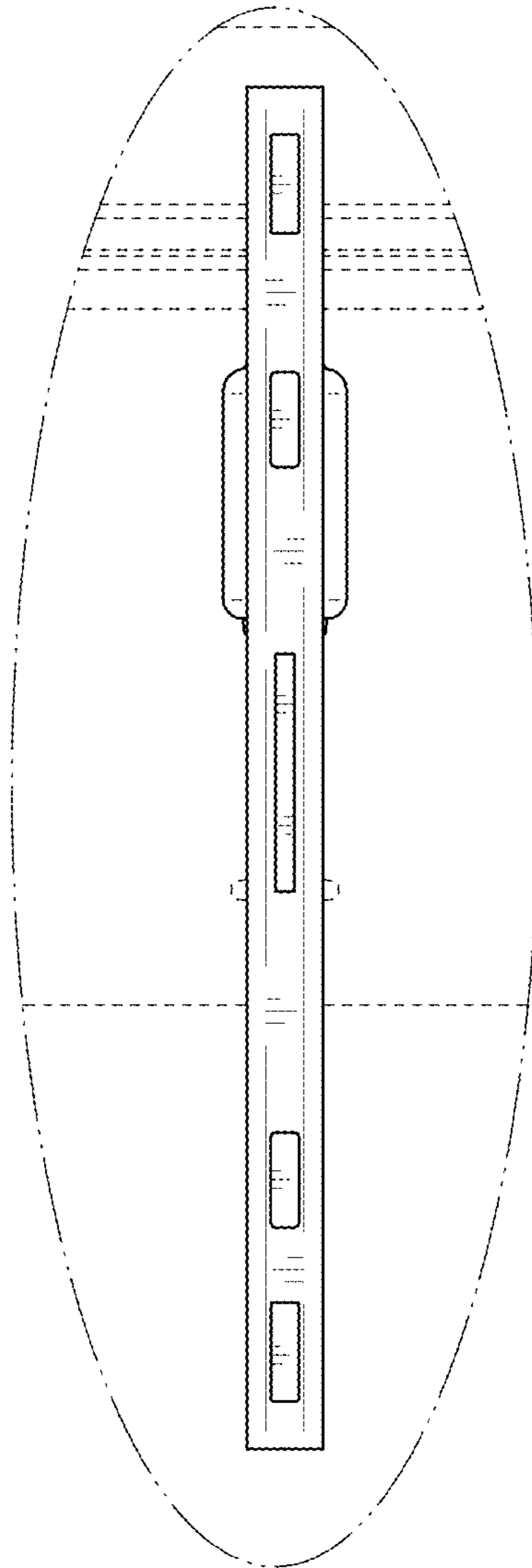


FIG. 30

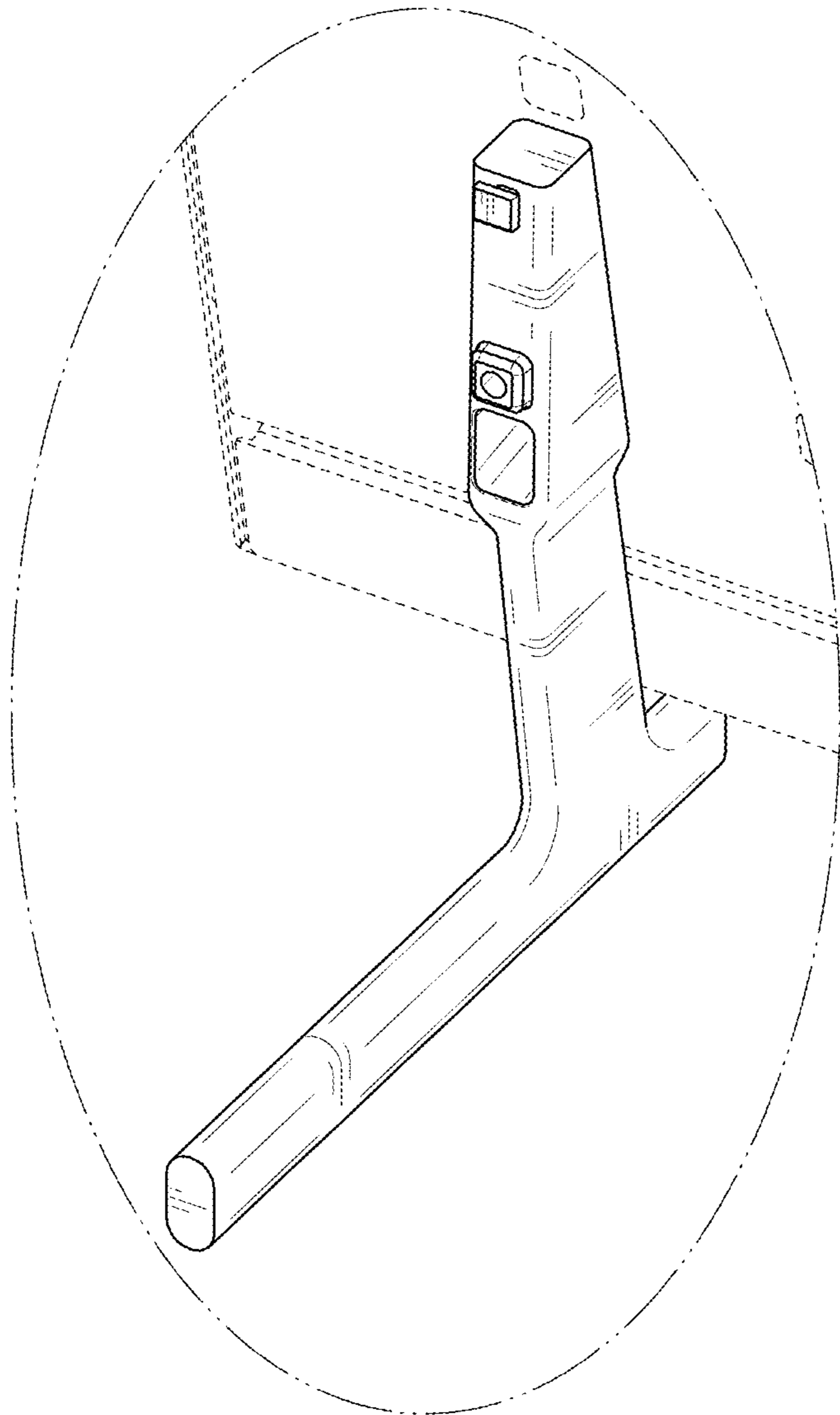


FIG. 31

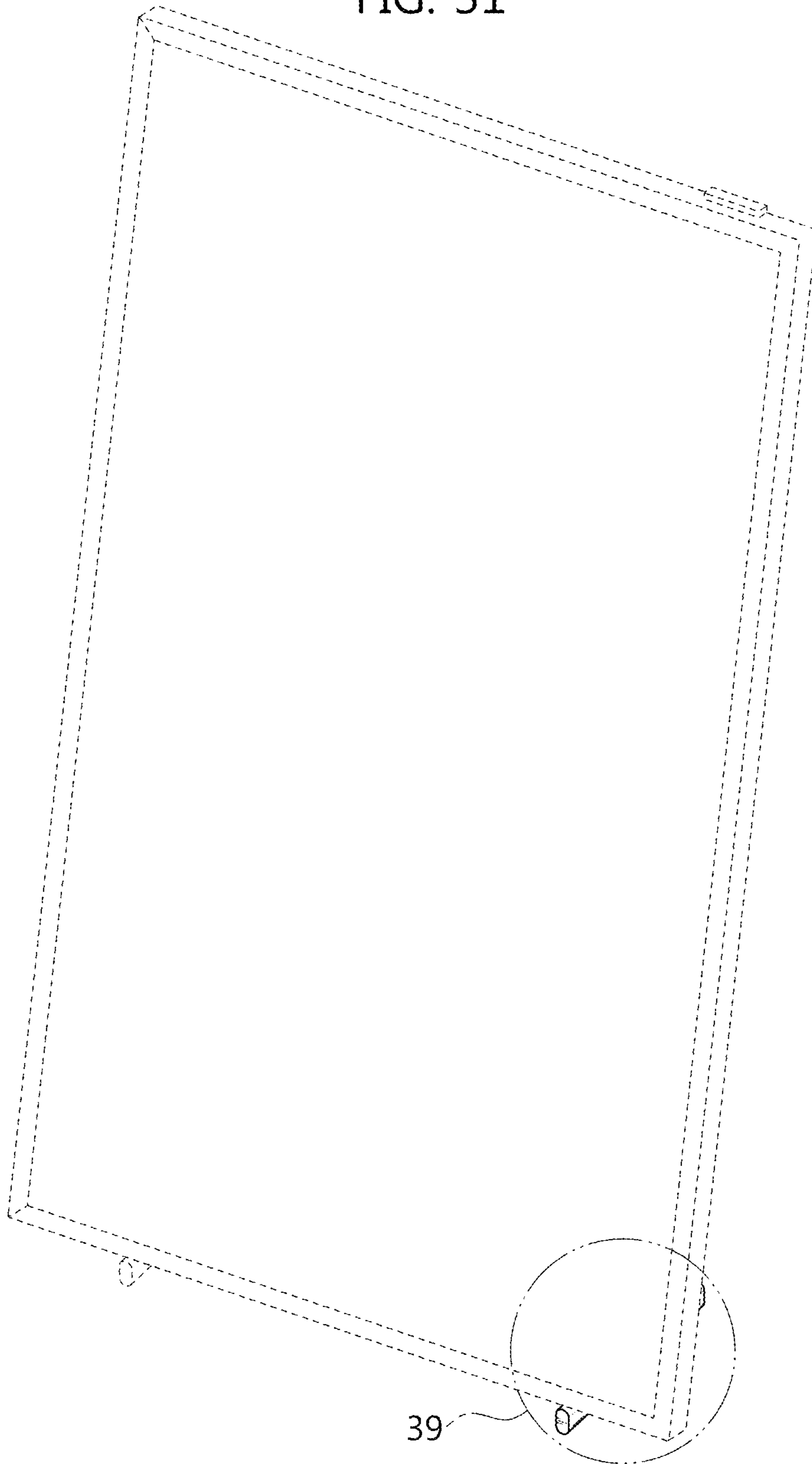


FIG. 32



FIG. 33

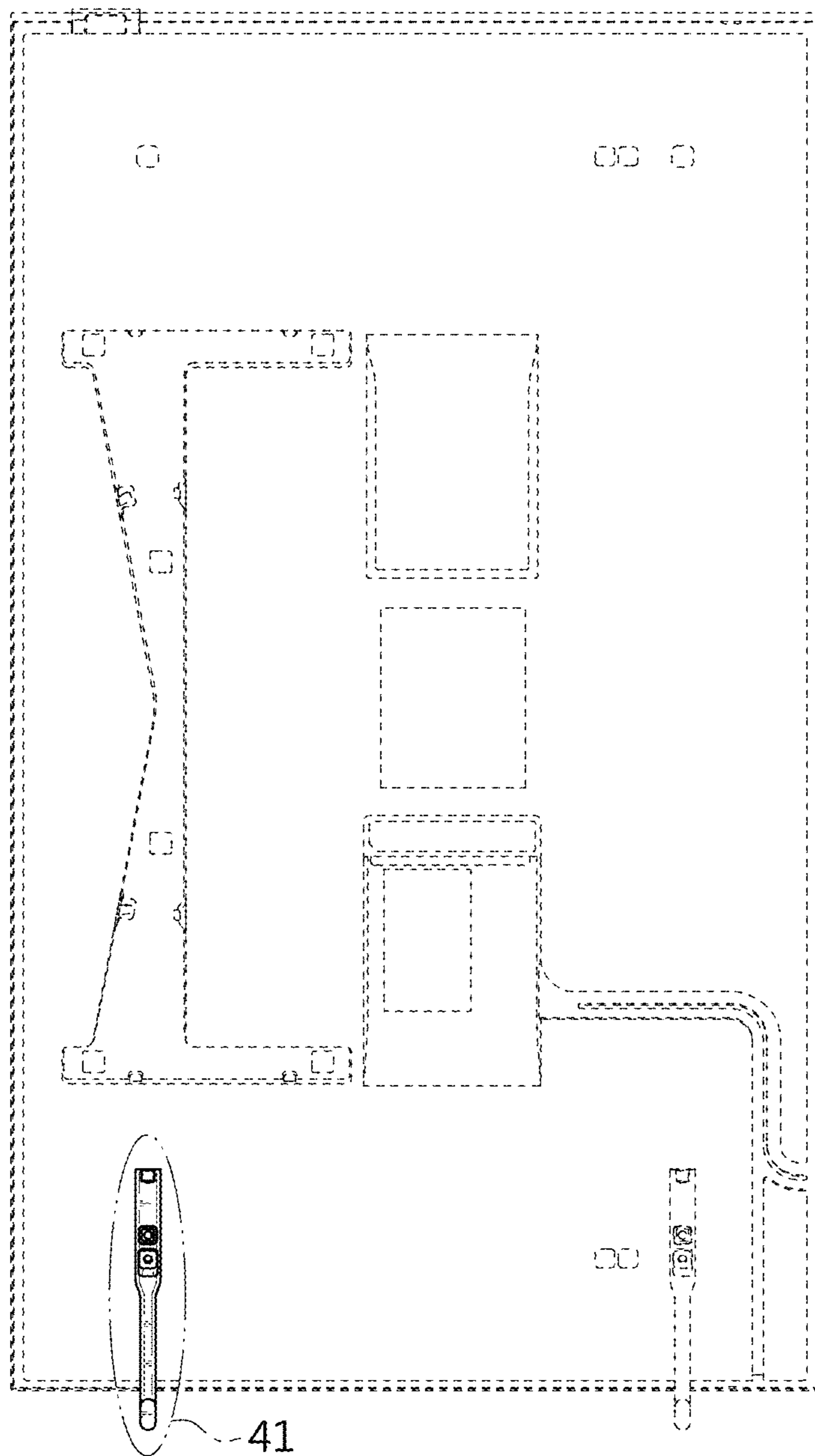


FIG. 34

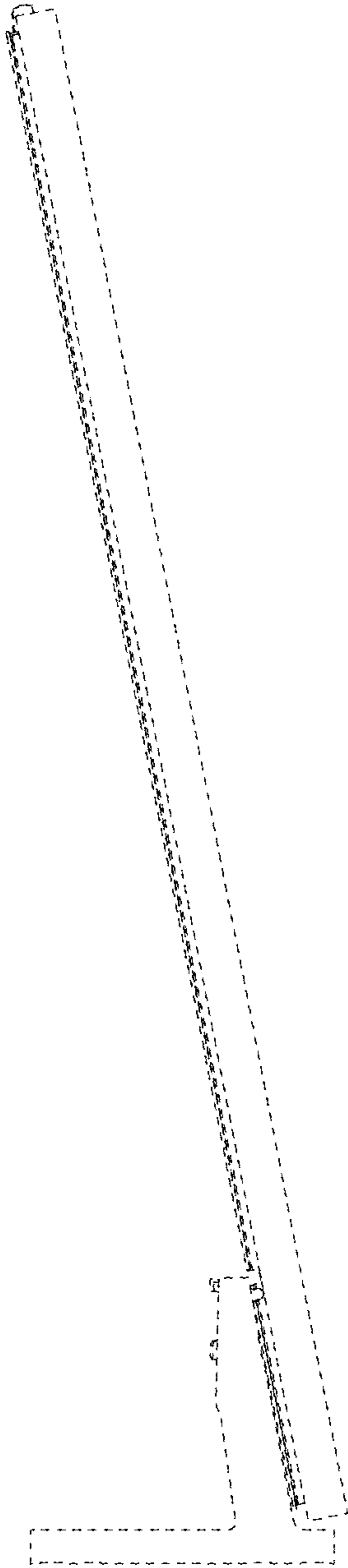


FIG. 35

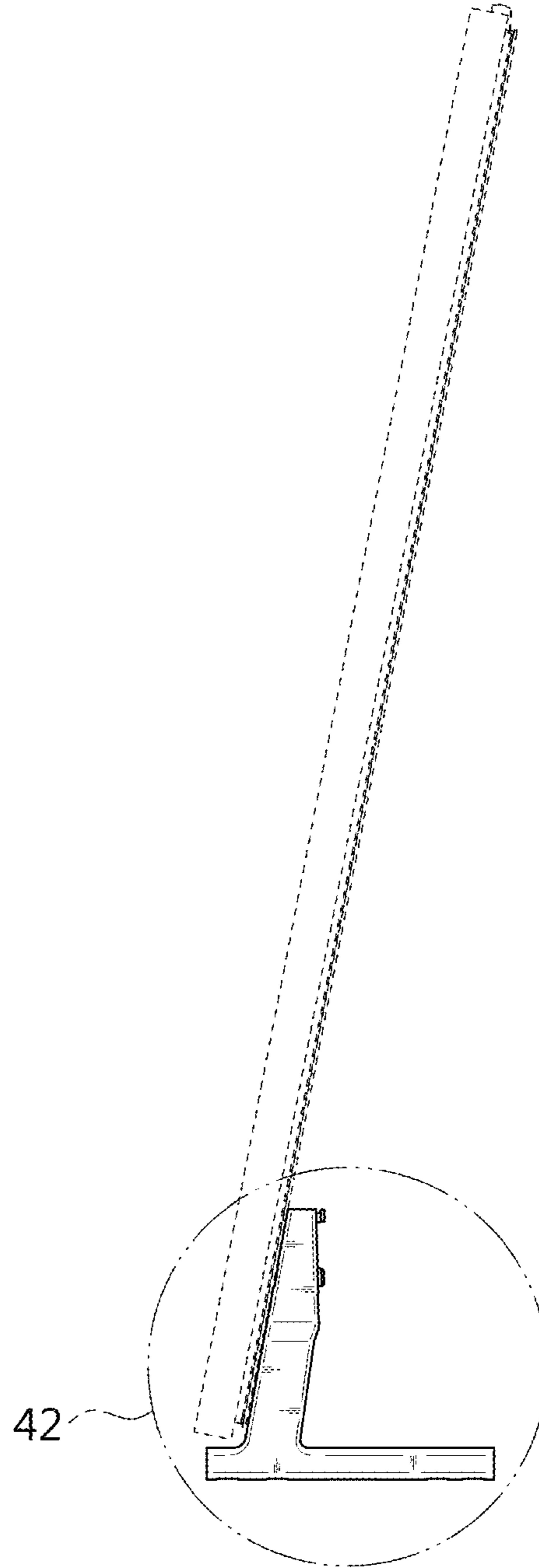


FIG. 36



FIG. 37

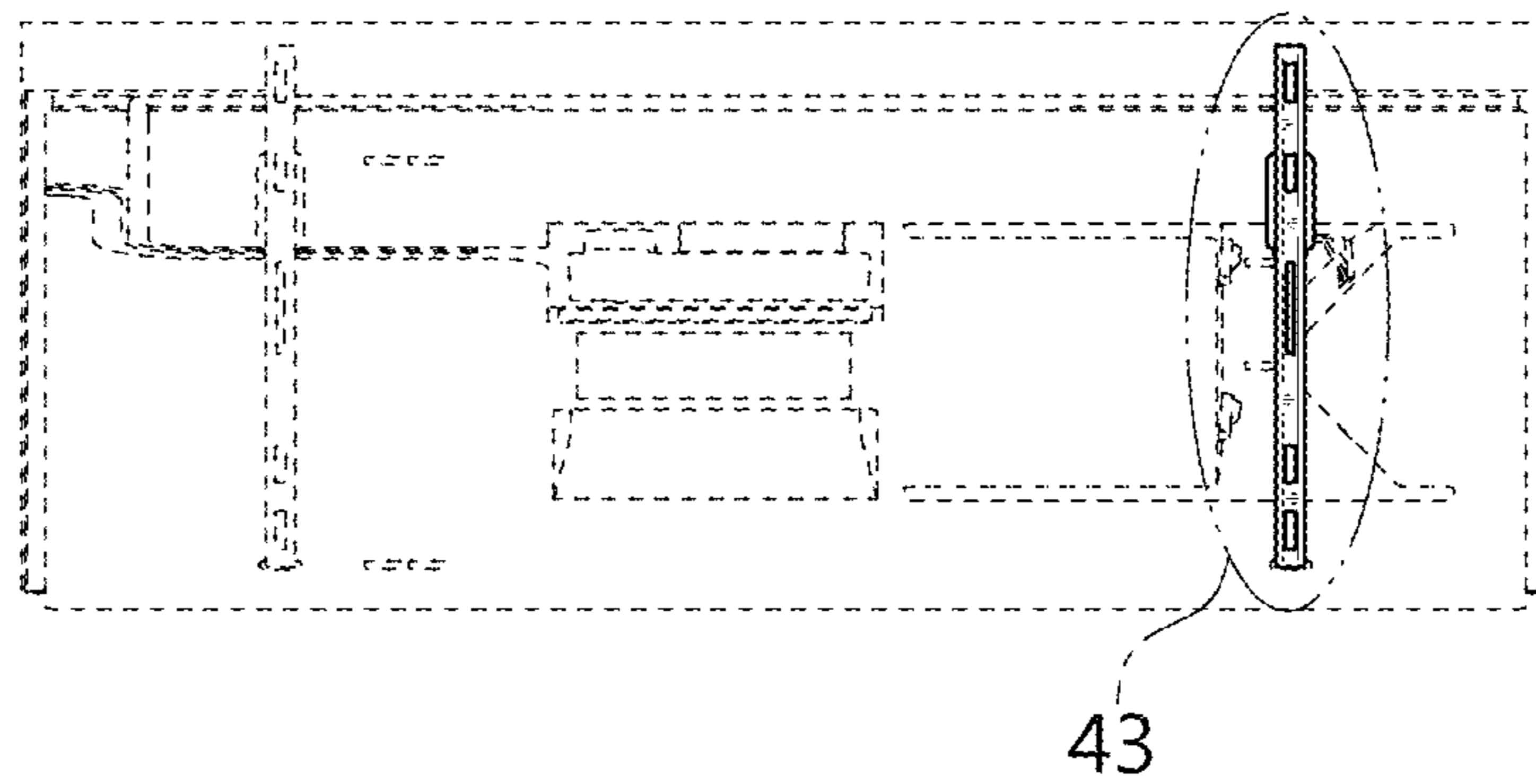


FIG. 38

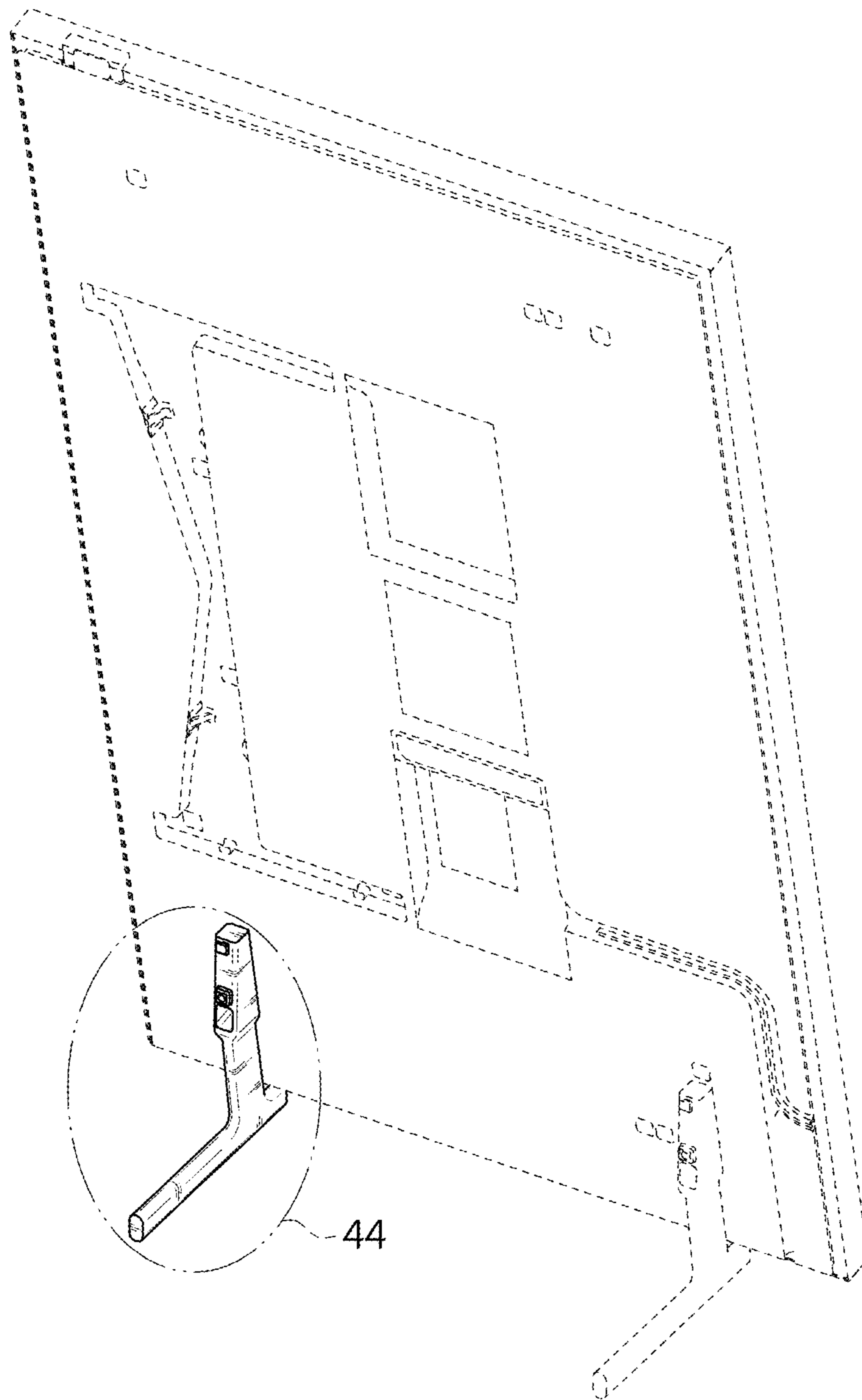


FIG. 39

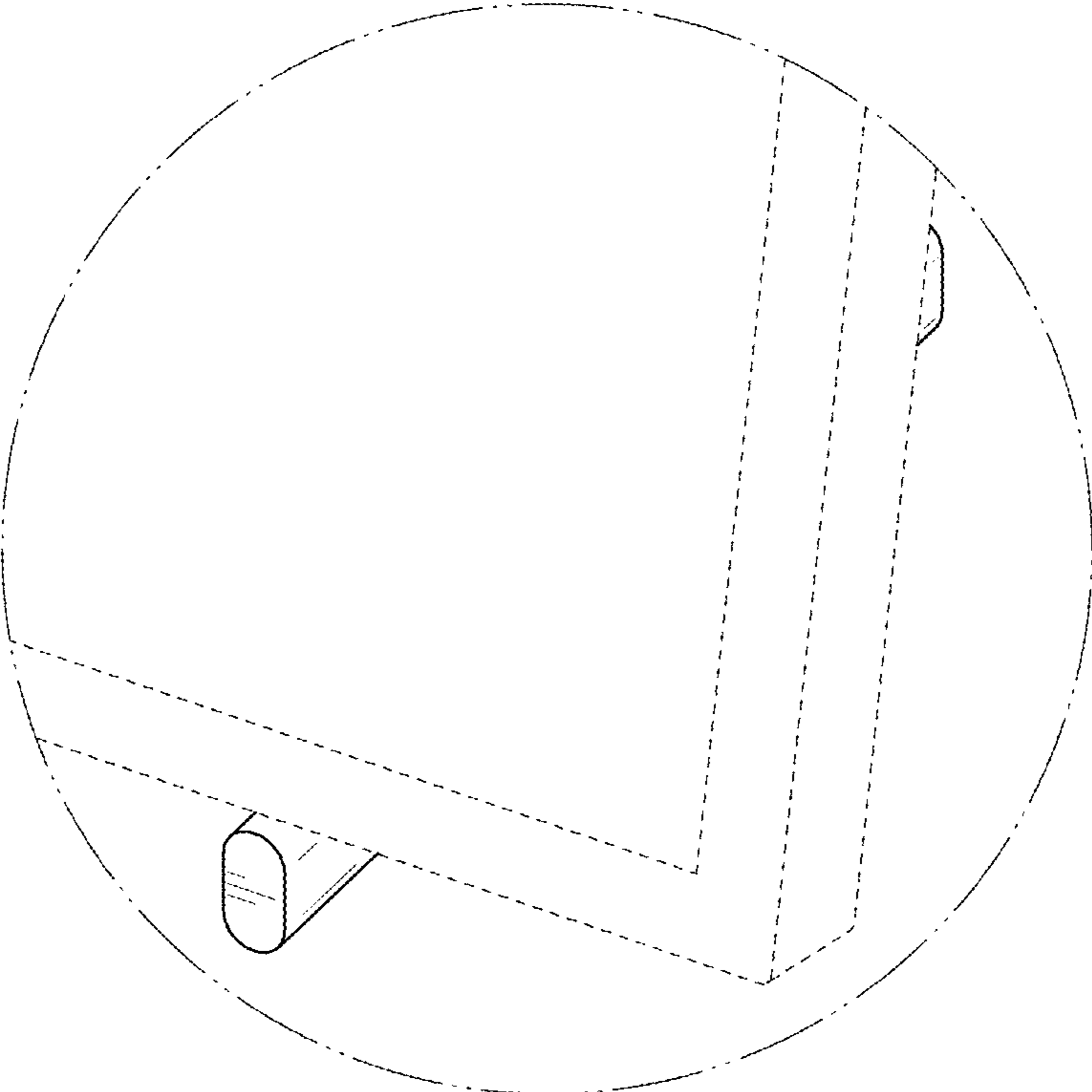


FIG. 40

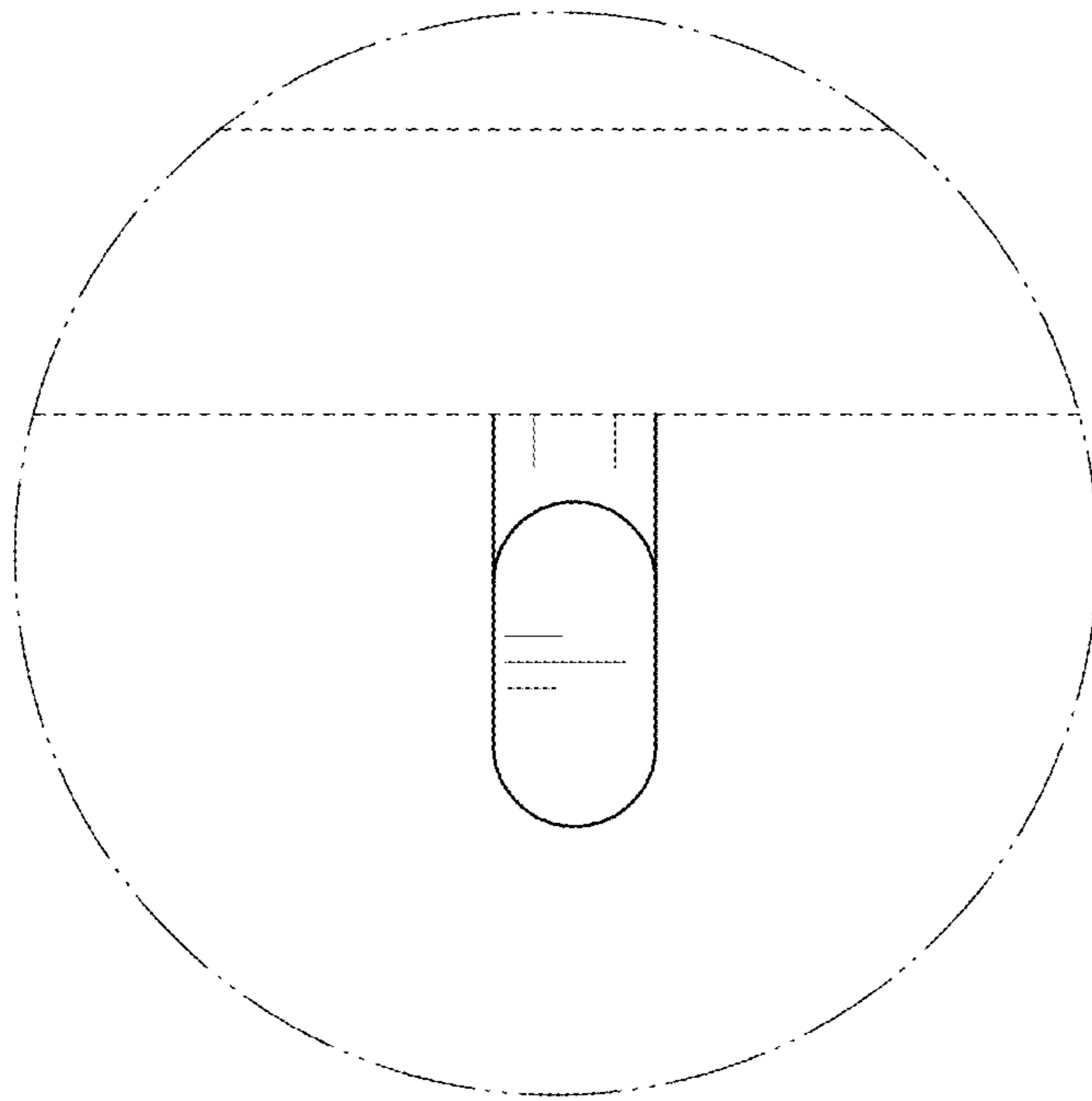


FIG. 41

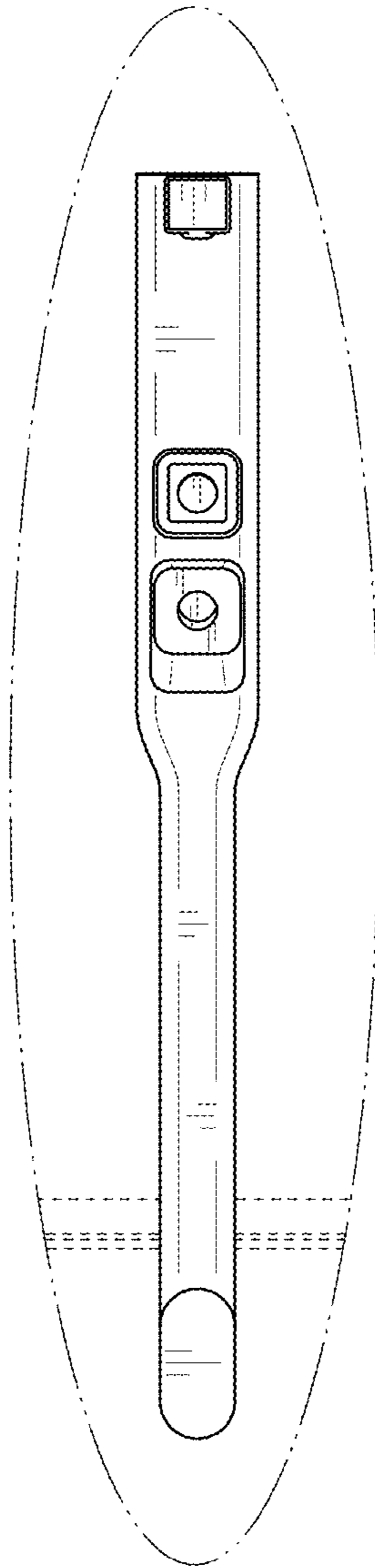


FIG. 42

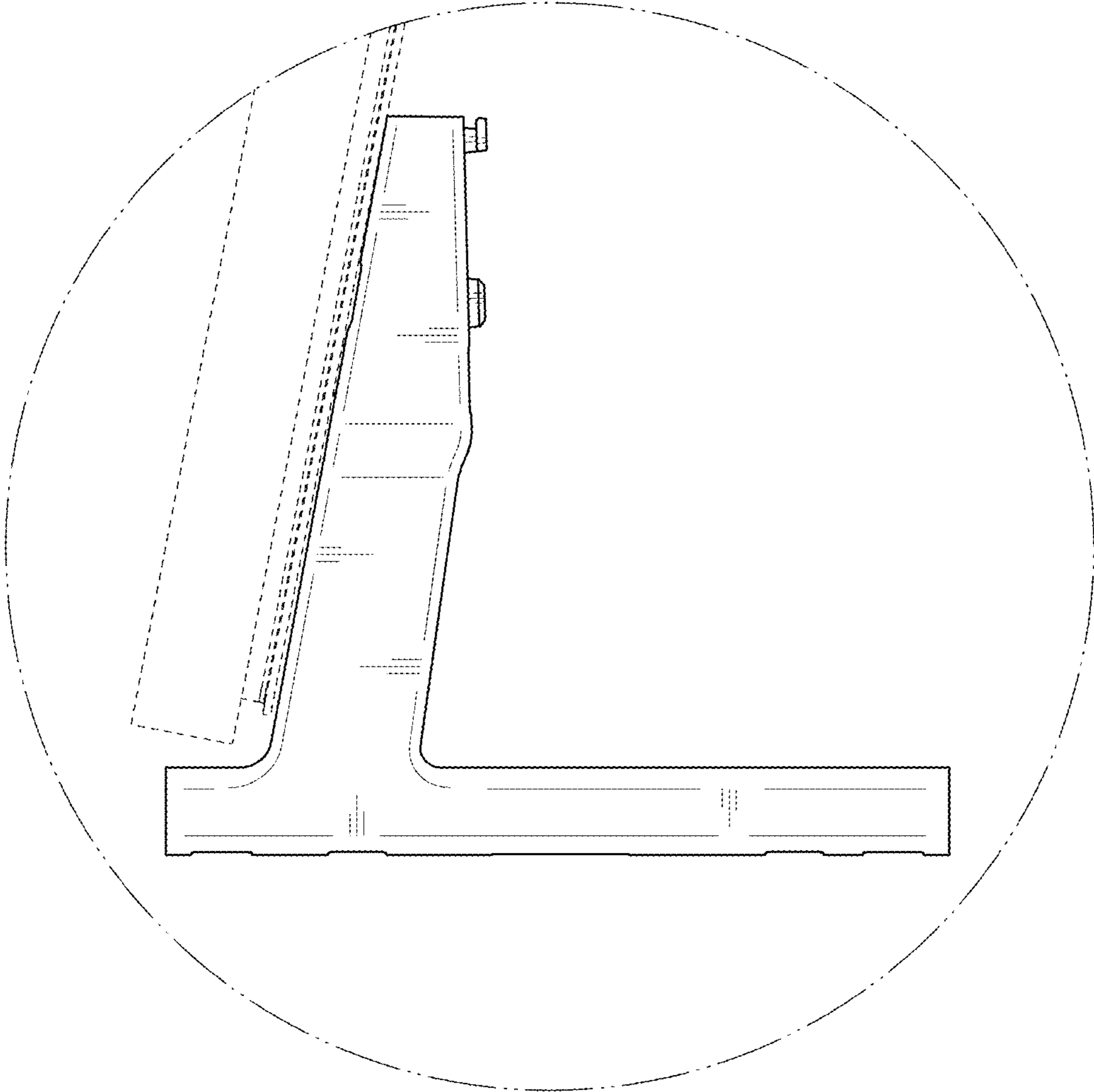


FIG. 43

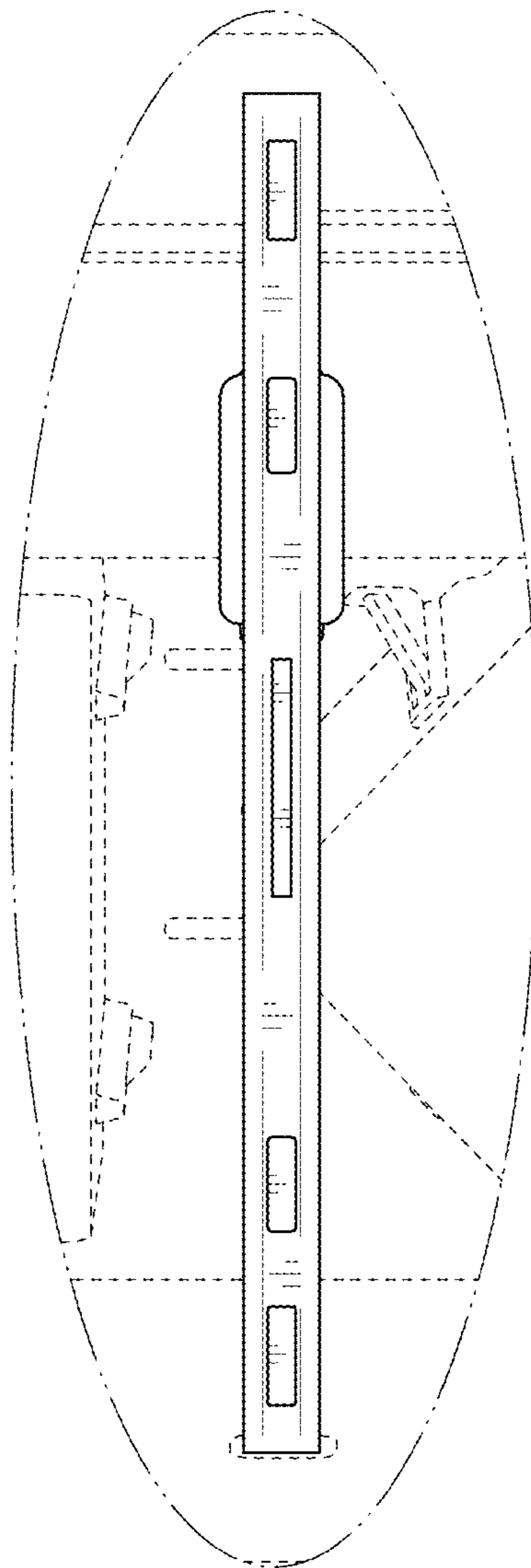


FIG. 44

