



US00D978092S

(12) **United States Design Patent**
Altonen et al.

(10) **Patent No.:** **US D978,092 S**
(45) **Date of Patent:** **** *Feb. 14, 2023**

- (54) **CONTROL DEVICE**
- (71) Applicant: **Lutron Technology Company LLC**,
Coopersburg, PA (US)
- (72) Inventors: **Gregory Altonen**, Easton, PA (US);
Chris Dimberg, Easton, PA (US);
Jason C. Killo, Emmaus, PA (US)
- (73) Assignee: **Lutron Technology Company LLC**,
Coopersburg, PA (US)
- (*) Notice: This patent is subject to a terminal disclaimer.
- (**) Term: **15 Years**
- (21) Appl. No.: **29/809,651**
- (22) Filed: **Sep. 29, 2021**

Related U.S. Application Data

- (63) Continuation of application No. 29/709,557, filed on Oct. 15, 2019, now Pat. No. Des. 933,615.
- (51) **LOC (14) Cl.** **13-03**
- (52) **U.S. Cl.**
USPC **D13/171; D13/174**
- (58) **Field of Classification Search**
USPC D13/162, 168, 171, 173, 174; D8/353
CPC H01H 3/12; H01H 3/122; H01H 9/02;
H01H 9/16; H01H 9/18; H01H 9/181;
H01H 9/182; H01H 13/023; H01H 13/04;
H01H 13/06; H01H 13/14; H01H
2009/187; H05B 33/0803; H05B 33/0863;
H05B 39/02; H05B 39/04; H05B 39/085;
H05B 39/086; H05B 39/088; G08C
17/02; H03K 17/962
See application file for complete search history.

(56) **References Cited**

U.S. PATENT DOCUMENTS

D199,922 S	12/1964	Schlage
D362,841 S	10/1995	Roza

5,700,191 A *	12/1997	Nieling	B60H 1/00814
				454/69
6,107,583 A	8/2000	Berfield		
D441,346 S	5/2001	Bonn		
6,242,064 B1 *	6/2001	Howie, Jr.	A44B 1/06
				264/318
D464,630 S	10/2002	Woodworth		
6,499,191 B1 *	12/2002	Howie, Jr.	G05G 1/105
				16/DIG. 18
D469,411 S	1/2003	Decosse		
D471,880 S	3/2003	Mayo et al.		
D479,205 S *	9/2003	Krajci	D13/171
D493,090 S	7/2004	Chen et al.		

(Continued)

OTHER PUBLICATIONS

LEGRAND® / PASS & SEYMOUR®, P&S Dimmers—DR Series Brochure, 2010, 2 pages.

(Continued)

Primary Examiner — Selina Sikder

(74) *Attorney, Agent, or Firm* — Saidman DesignLaw Group, LLC

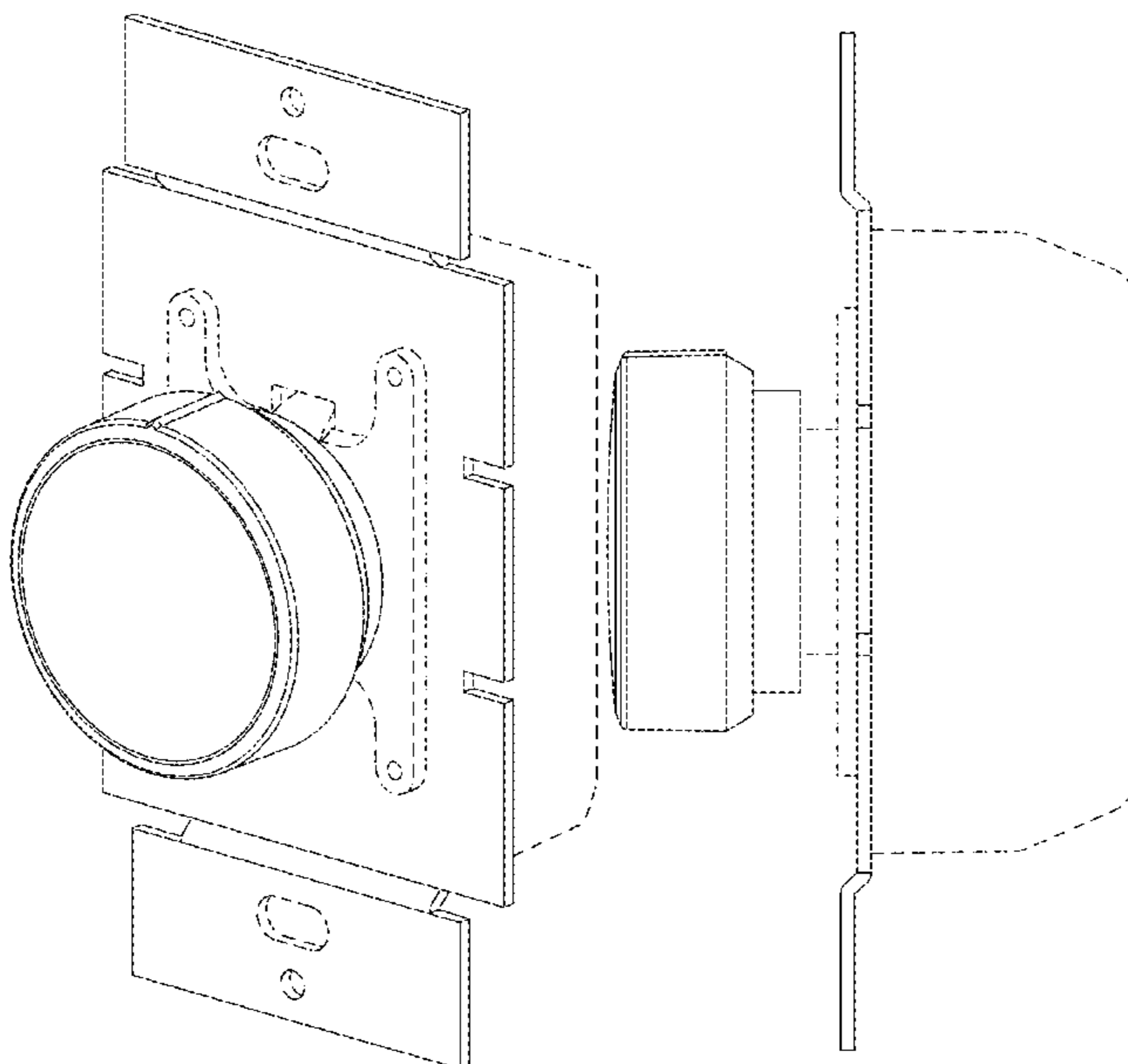
(57) **CLAIM**

The ornamental design for a control device, as shown and described.

DESCRIPTION

FIG. 1 is a front perspective view of a control device showing our new design;
 FIG. 2 is a front view thereof;
 FIG. 3 is a left side view thereof;
 FIG. 4 is a right side view thereof;
 FIG. 5 is a top view thereof; and,
 FIG. 6 is a bottom view thereof.
 The broken lines illustrate structure or features which form no part of the claimed design.

1 Claim, 5 Drawing Sheets



(56)

References Cited

U.S. PATENT DOCUMENTS

6,767,104 B2 * 7/2004 Worrell H01H 19/025
362/23.19
D498,657 S * 11/2004 Milrud D8/311
D515,516 S 2/2006 Mayo et al.
D525,517 S 7/2006 Baldwin
D533,844 S 12/2006 Larson et al.
7,203,998 B2 * 4/2007 Howie, Jr. G05G 1/503
16/414
D557,216 S 12/2007 Ochs et al.
D558,686 S 1/2008 Bhate et al.
D558,692 S 1/2008 Neveu
D561,117 S 2/2008 Ni
D561,118 S 2/2008 Ni
D589,463 S 3/2009 Sykes
7,884,299 B2 2/2011 Glew
7,937,879 B2 * 5/2011 Hamilton F41G 1/38
42/130
D645,005 S 9/2011 Menheere
D654,880 S 2/2012 Lam
D666,978 S 9/2012 Felegy, Jr. et al.
D673,510 S 1/2013 Felegy, Jr. et al.
D687,328 S 8/2013 Clymer et al.
D704,028 S * 5/2014 Meda D8/310
8,786,196 B2 7/2014 Biery et al.
D713,236 S 9/2014 Park
D725,612 S 3/2015 Schlegel et al.
D748,648 S 2/2016 Kim et al.
D755,037 S 5/2016 Czerwinski, Jr. et al.
9,337,943 B2 5/2016 Mosebrook et al.
D761,277 S 7/2016 Harvell
D762,716 S 8/2016 Yang et al.
D763,308 S 8/2016 Wang et al.
D766,844 S 9/2016 Turksu et al.
9,538,619 B2 1/2017 Swatsky et al.
9,565,742 B2 2/2017 Swatsky et al.
9,633,557 B2 4/2017 Dimberg et al.
D786,932 S 5/2017 Kim et al.
D808,912 S 1/2018 Dimberg et al.
D814,428 S 4/2018 Dimberg et al.
D824,237 S 7/2018 Gregory et al.
D829,527 S * 10/2018 Kang D8/311
D837,168 S 1/2019 Altonen et al.
D837,169 S 1/2019 Altonen et al.
D839,847 S 2/2019 Dimberg et al.
D846,508 S 4/2019 Dimberg et al.
D868,009 S 11/2019 Dimberg et al.
D868,010 S 11/2019 Bard et al.
D878,309 S 3/2020 Altonen et al.
D878,310 S 3/2020 Dimberg et al.
D879,055 S 3/2020 Altonen et al.

D892,750 S 8/2020 Dimberg et al.
D892,751 S 8/2020 Altonen et al.
D910,818 S * 2/2021 Gessi D23/254
D918,006 S * 5/2021 Hanks D8/311
D921,598 S 6/2021 Dimberg et al.
D923,152 S * 6/2021 Gessi D23/254
D933,615 S * 10/2021 Altonen D13/174
D940,668 S * 1/2022 Dimberg D13/168
2007/0057922 A1 3/2007 Schultz et al.
2007/0102275 A1 5/2007 Genz et al.
2007/0193867 A1 8/2007 Lorenzo Riera et al.
2010/0175971 A1 7/2010 Kim et al.
2013/0062176 A1 * 3/2013 Schuh H03K 17/962
200/5 A
2013/0328500 A1 12/2013 Toda
2014/0042002 A1 2/2014 Chu
2014/0117871 A1 5/2014 Swatsky et al.
2015/0371534 A1 12/2015 Dimberg et al.
2017/0278383 A1 9/2017 Dimberg et al.
2017/0280533 A1 9/2017 Dimberg et al.
2017/0352506 A1 12/2017 Dimberg
2017/0354012 A1 12/2017 Bard et al.
2017/0354021 A1 12/2017 Dimberg et al.
2017/0354022 A1 12/2017 Dimberg et al.
2017/0354023 A1 12/2017 Dimberg et al.
2018/0005742 A1 1/2018 Newman, Jr. et al.
2018/0116039 A1 4/2018 Harte et al.
2021/0111657 A1 * 4/2021 Altonen G01R 19/16538
2022/0149840 A1 * 5/2022 Rogge H03K 17/955

OTHER PUBLICATIONS

LEGRAND®, Dimmers Brochure, 2015, 18 pages.
LUMENPULSE™, Lumentone™ Specification Sheet, 2013, 4 pages.
LUMENPULSE™, Lumentone™ Installation Instructions, 2013, 1 page.
LUMENPULSE™, Lumentone™ Quick Reference Guide, 2015, 3 pages.
Electronic Theatre Controls, Inc., Echo Inspire Station Programming Guide, Software Version 2.0.1, Feb. 2015, 44 pages.
Electronic Theatre Controls, Inc., Echo Inspire Control Stations, <URL:https://www.etconnect.com/Products/Architectural-Systems/Echo/Control-Stations/Inspire-Control-Stations/Features.aspx>, available from Internet at least as early as Jul. 15, 2014 [site visited May 9, 2018].
Electronic Theatre Controls, Inc., Echo Inspire Control Station: 4-Button with Fader Knob, photograph taken on May 8, 2018.
U.S. Appl. No. 62/345,449, filed Jun. 3, 2016 (unpublished).
U.S. Appl. No. 62/345,222, filed Jun. 3, 2016 (unpublished).
U.S. Appl. No. 29/597,335, filed Mar. 16, 2017 (unpublished).

* cited by examiner

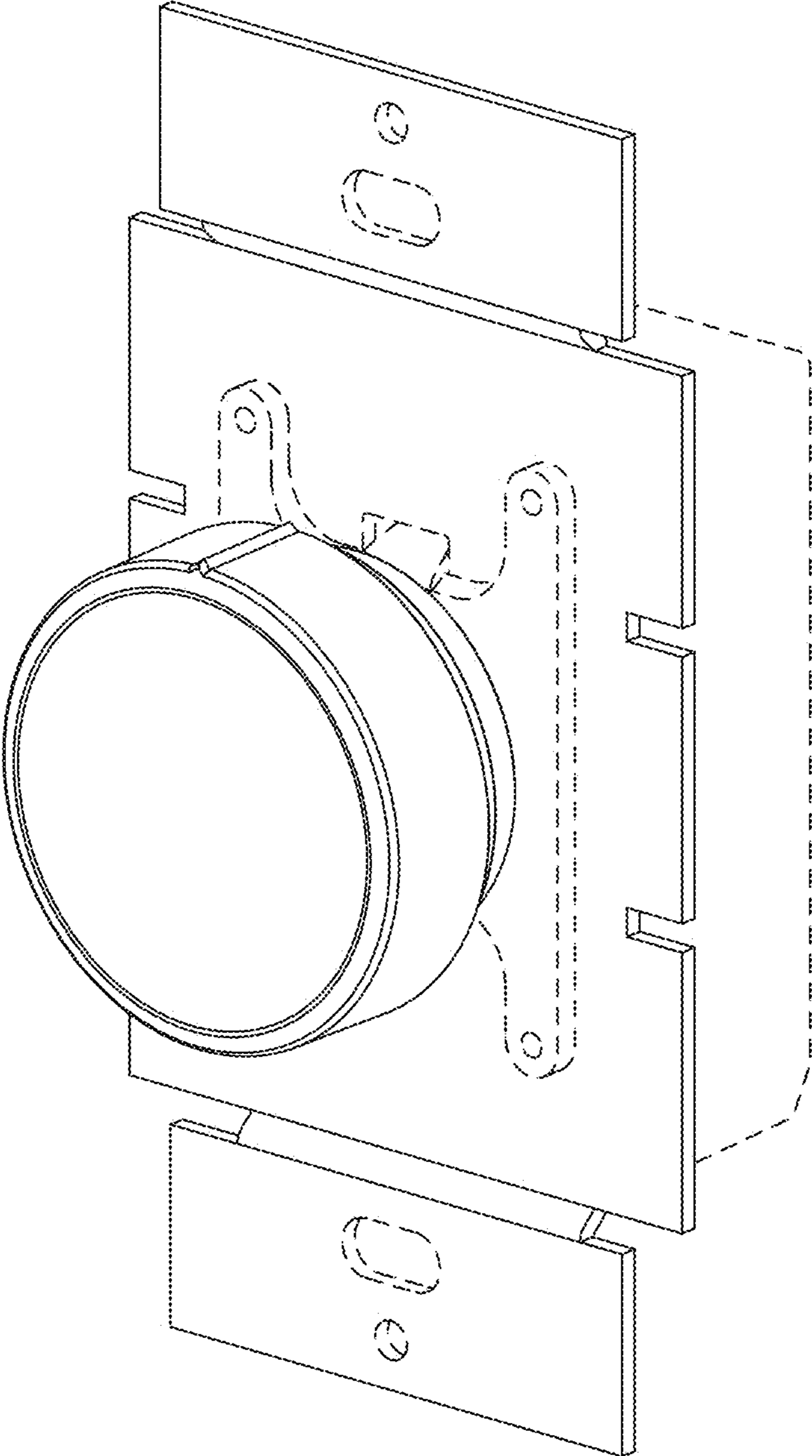


FIG. 1

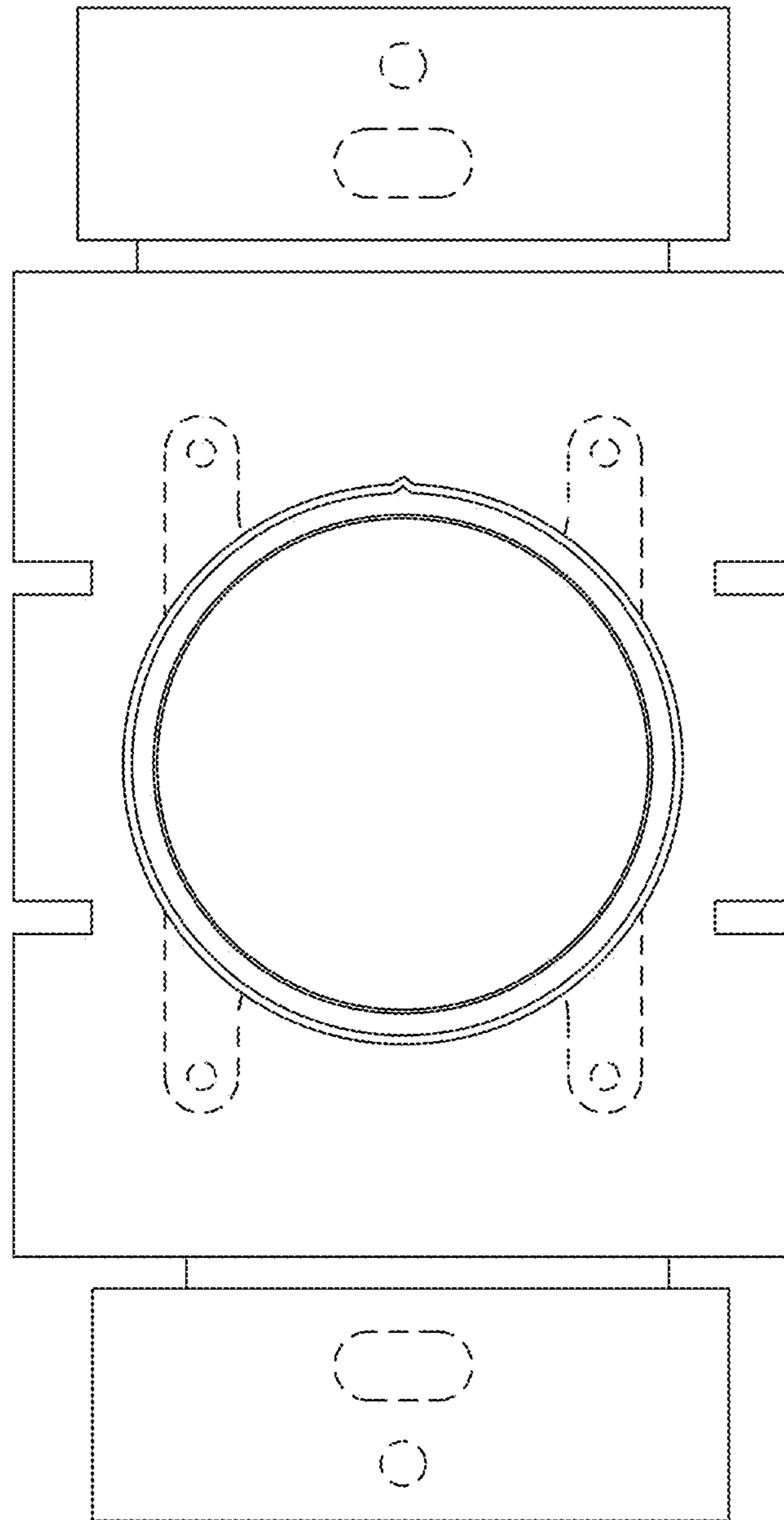


FIG. 2

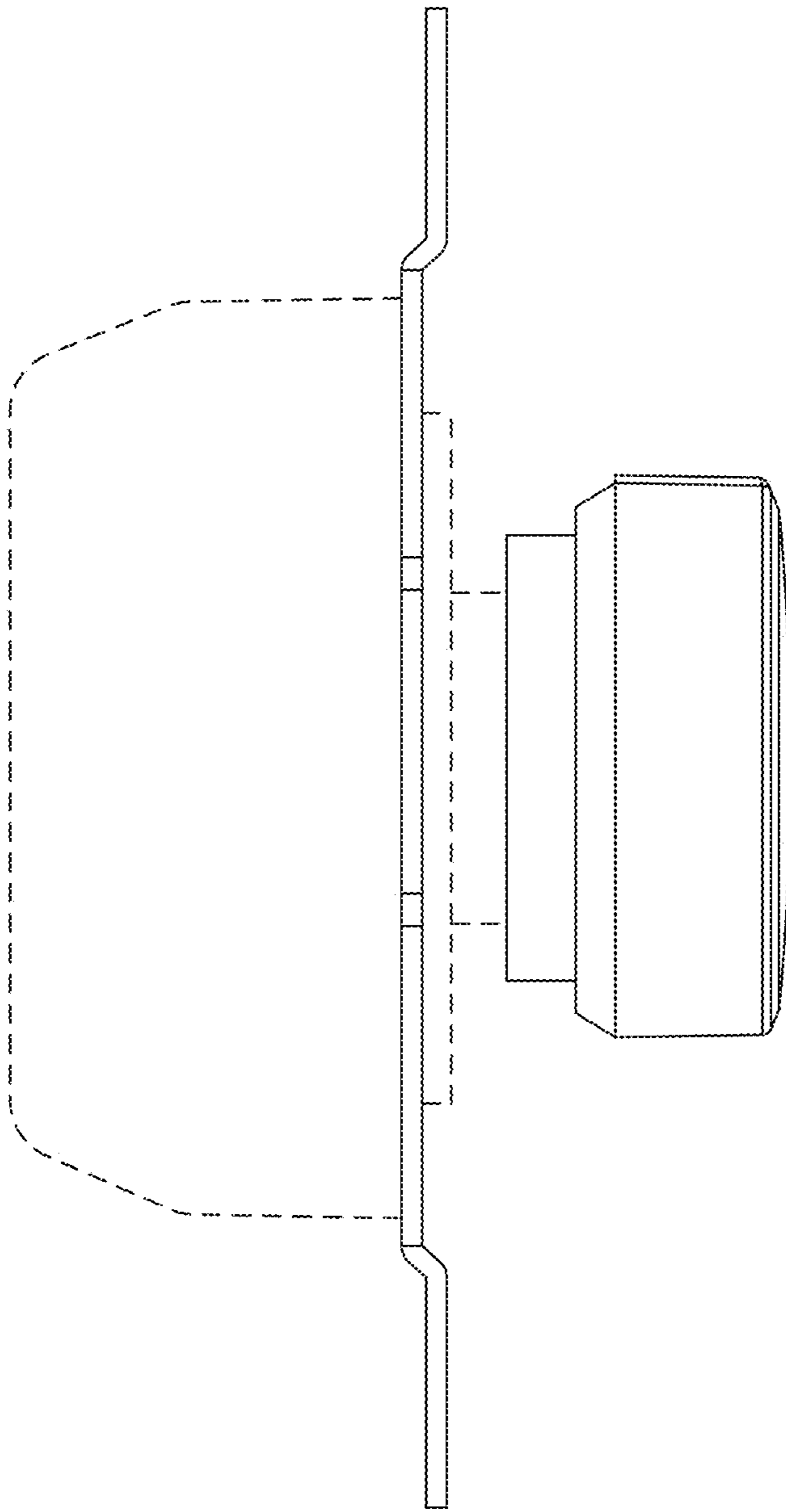


FIG. 3

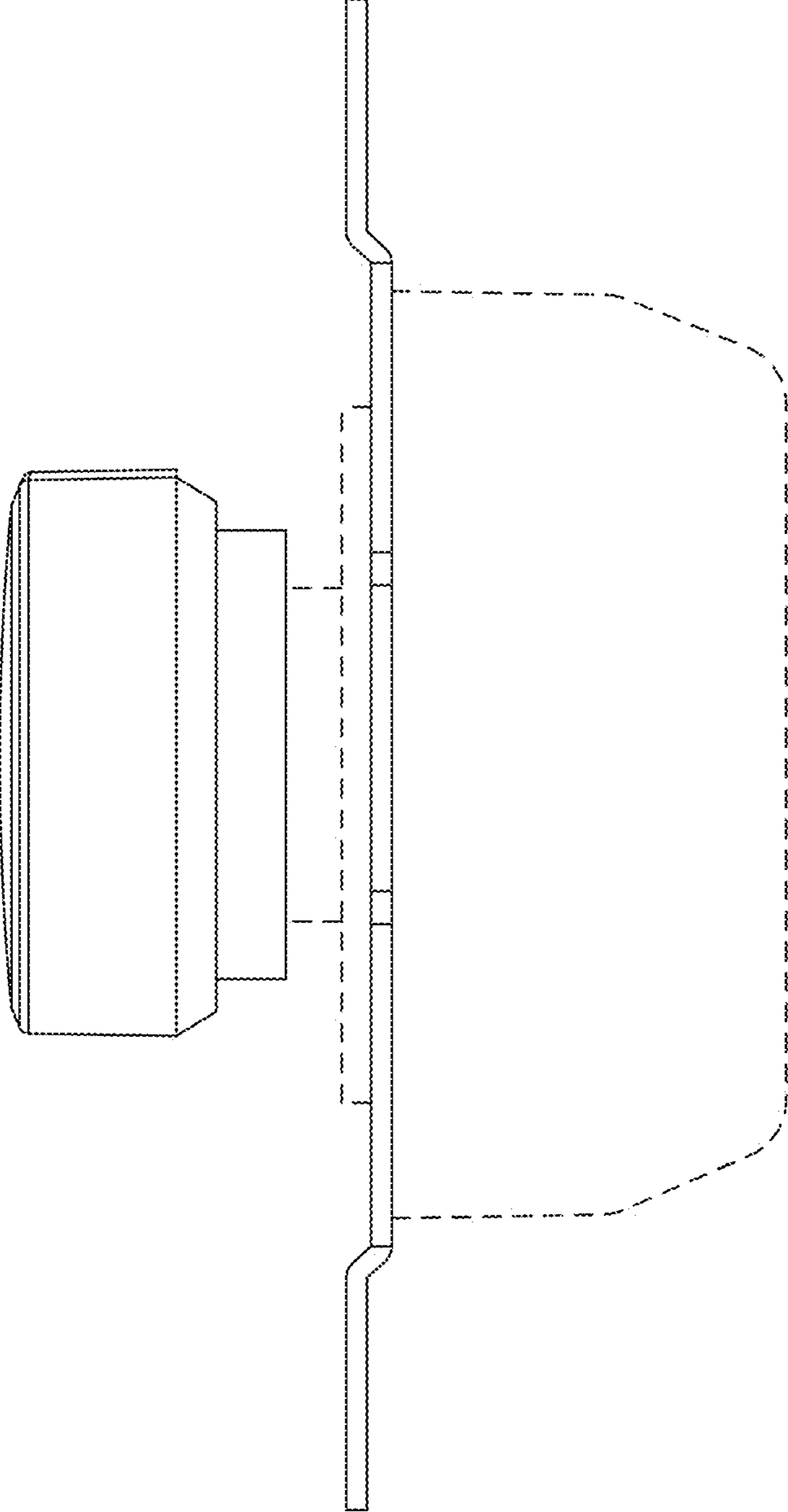


FIG. 4

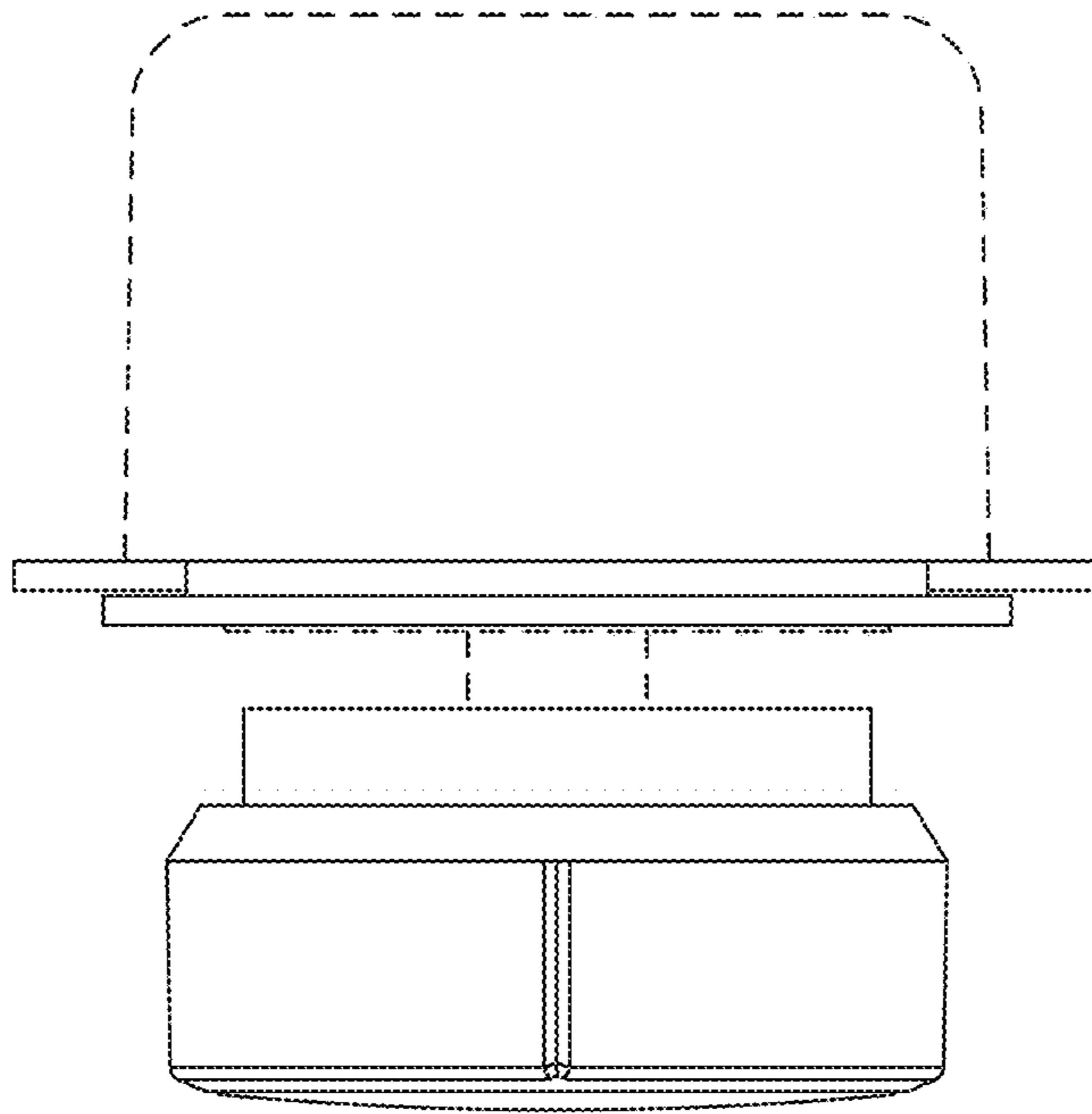


FIG. 5

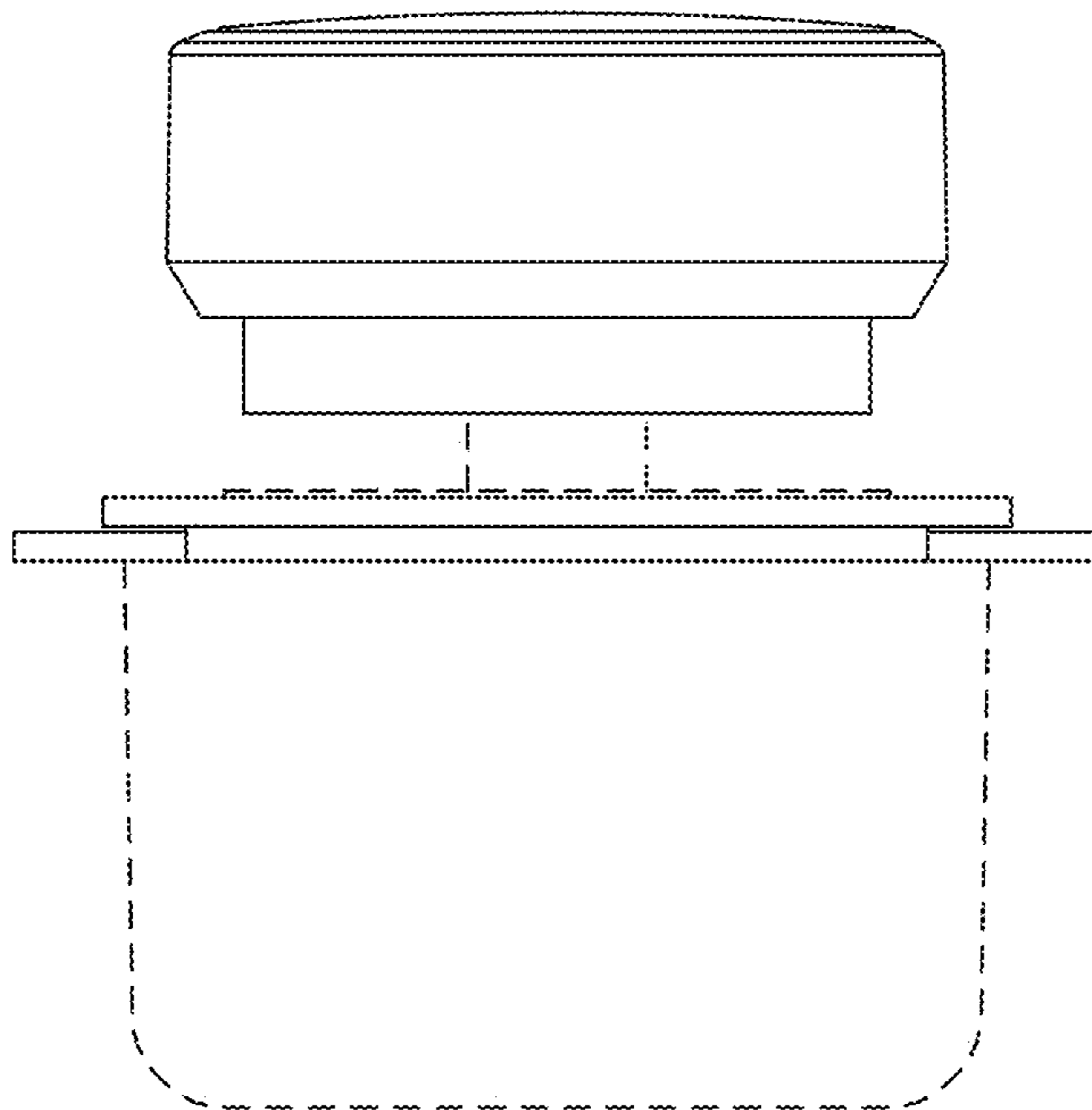


FIG. 6