



US00D978090S

(12) **United States Design Patent** (10) **Patent No.:** **US D978,090 S**
Altonen et al. (45) **Date of Patent:** **** *Feb. 14, 2023**

(54) **CONTROL DEVICE**

13/023; H01H 13/04; H01H 13/06; H01H
(Continued)

(71) Applicant: **Lutron Technology Company LLC**,
Coopersburg, PA (US)

(56) **References Cited**

(72) Inventors: **Gregory Altonen**, Easton, PA (US);
Jason C. Killo, Emmaus, PA (US);
Matthew Philip McDonald,
Phoenixville, PA (US); **Sean Tucker**,
Bethlehem, PA (US)

U.S. PATENT DOCUMENTS

1,796,226 A 3/1931 Tombler
2,215,260 A 9/1940 Woodward
(Continued)

(73) Assignee: **Lutron Technology Company LLC**,
Coopersburg, PA (US)

OTHER PUBLICATIONS

HDL iSense 3 Button Wall Panel from Alltrade; retrieved on Nov.
23, 2021; 1 pg; <https://www.alltrade.co.uk/shop/hdl-isense-3-button-wall-panel>.

(Continued)

(*) Notice: This patent is subject to a terminal disclaimer.

Primary Examiner — Selina Sikder
(74) *Attorney, Agent, or Firm* — Saidman DesignLaw
Group, LLC

(**) Term: **15 Years**

(57) **CLAIM**

(21) Appl. No.: **29/831,131**

The ornamental design for a control device, as shown and described.

(22) Filed: **Mar. 17, 2022**

DESCRIPTION

Related U.S. Application Data

(63) Continuation of application No. 29/753,910, filed on
Oct. 4, 2020, now Pat. No. Des. 950,506, which is a
(Continued)

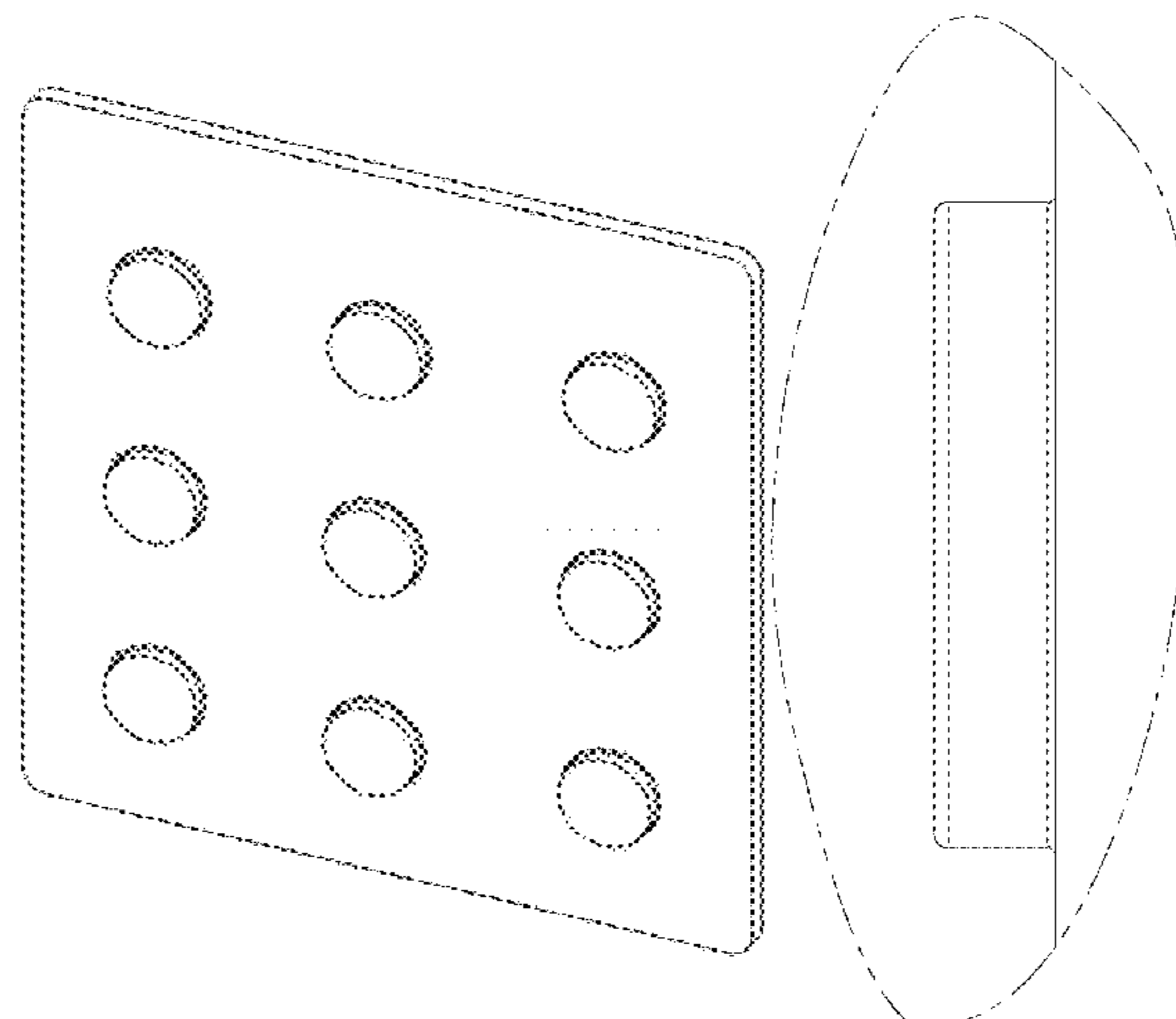
FIG. 1 is a front perspective view of a control device showing our new design;
FIG. 2 is a front view thereof;
FIG. 3 is a left side view thereof;
FIG. 4 is a right side view thereof;
FIG. 5 is a top view thereof;
FIG. 6 is a bottom view thereof;
FIG. 7 is an enlarged view of a button of FIG. 1;
FIG. 8 is an enlarged view of a button of FIG. 2;
FIG. 9 is an enlarged view of a button of FIG. 4;
FIG. 10 is an enlarged partial view of the faceplate of FIG. 1;
FIG. 11 is an enlarged partial view of the faceplate of FIG. 2;
FIG. 12 is an enlarged view of the faceplate of FIG. 4; and,
FIG. 13 is an enlarged view of the faceplate of FIG. 6.

(51) **LOC (14) Cl.** **13-03**

(52) **U.S. Cl.**
USPC **D13/164**

(58) **Field of Classification Search**
USPC D13/162, 164, 168, 171
CPC .. H01H 9/02; H01H 9/16; H01H 9/18; H01H
9/181; H01H 9/182; H01H 23/02; H01H
23/025; H01H 23/04; H01H 23/08; H01H
23/12; H01H 23/14; H01H 23/145; H01H

(Continued)



The broken lines illustrate structure or features which form no part of the claimed design.
In FIGS. 7-13, the broken lines identify enlargements.

2019/0230762 A1 7/2019 McDonald et al.
2019/0252137 A1 8/2019 McDonald et al.
2020/0381191 A1 12/2020 Duncan et al.
2021/0257170 A1 8/2021 Blair et al.

1 Claim, 11 Drawing Sheets

Related U.S. Application Data

continuation of application No. 29/723,770, filed on Feb. 10, 2020, now Pat. No. Des. 951,885.

- (58) **Field of Classification Search**
CPC .. 2009/187; H05B 39/02; H05B 39/04; H05B 39/085; H05B 39/086; H05B 39/088; G08C 17/02
See application file for complete search history.

- (56) **References Cited**

U.S. PATENT DOCUMENTS

3,185,803	A	5/1965	Driscoll	
3,186,981	A	6/1965	De Ronde	
D335,283	S	5/1993	Justiniano et al.	
D360,235	S	7/1995	Emrys-Roberts et al.	
5,834,695	A	11/1998	Herbert	
D433,954	S	11/2000	Delsart	
D453,742	S	2/2002	Butler et al.	
D510,074	S	9/2005	Larson et al.	
D547,273	S	7/2007	Mierta et al.	
D573,956	S	7/2008	Hollner et al.	
D595,240	S	6/2009	Busbridge	
D621,795	S	8/2010	Tsui et al.	
D635,102	S	3/2011	Tsui et al.	
D652,087	S	1/2012	Dawes	
D663,700	S	7/2012	Deal	
8,786,196	B2	7/2014	Biery et al.	
D777,688	S	1/2017	Seidl et al.	
D817,898	S	5/2018	Seidl et al.	
D921,595	S	6/2021	Altonen et al.	
D921,596	S	6/2021	Altonen et al.	
D922,334	S	6/2021	Altonen et al.	
D922,965	S	6/2021	Altonen et al.	
11,107,648	B2	8/2021	Duncan et al.	
D941,783	S *	1/2022	Altonen	D13/162
D948,462	S *	4/2022	Altonen	D13/164
D950,506	S *	5/2022	Altonen	D13/164
D951,885	S *	5/2022	Altonen	D13/162
D951,887	S *	5/2022	Altonen	D13/164
2010/0059351	A1	3/2010	Wu et al.	
2010/0270138	A1	10/2010	Yamanaka	

OTHER PUBLICATIONS

Clipsal 4061PBLHB; Mar. 31, 2014; 1 pg; <https://www.bing.com/videos/search?q=saturn+horizon+switch&&view=detail&mid=29784129A37E9021BA0629784129A37E9021BA06&&FORM=VRDGAR&ru=%2Fvideos%2Fsearch%3Fq%3Dsatur%2Bhorizon%2Bswitch%26%26FORM%3DVDVXX>.
Clipsal 4063PB Push Button Switch; before 2017; 1 pg.
TOPSHALL Illuminated Wall Mount Push Switch; before 2017; 1 pg; https://www.google.com/search?hi=en&biw=1536&bih=813&tbm=isch&sa=1&ei=Op-fXbiw5qSCB9e7oIAO&q=push+button+dimmer+switch+before+2017&oq=push+button+dimmer+switch+before+2017&gs_l=img.3...3379.7032..8742...0.0..0.67.630.12.....0....1.gws-wiz-img.
RetroTouch 4 Gang 2 way Dimmer CT 02100; <https://www.lightswitchesandplugsockets.co.uk/retrotouch-4-gang-2-way-dimmer-switch-3-200w-led-halogen-white-glass-ct-02100-4720-p.asp>.
Varilight—Catalogue; <https://www.varilight.co.uk/varilight-catalogue.pdf>.
<http://legrand.com.vn/mallia/downloads/mallia.pdf>, 2010, 30 pages.
Knightsbridge Catalogue, Lighting and Wiring Accessories, 2015, p. 8, 36; https://issuu.com/mlaccessorieslimited/docs/2015_mla_catalogue.
Lutron Electronics Co., Inc., “Lutron Keypads”, brochure, available from internet, <<http://www.lutron.com/europe/>>, Jan. 2018.
Legrand®, Mallia™ Catalogue, “Look Touch Love Woo,” Apr. 2010 (26 pages).
Arnould, Art d’ Arnould Brochure (English version), Apr. 2011 (52 pages).
Meljac, Catalogue 2014 (108 pages).
Forbes & Lomax, Catalogue, available at least as early as Sep. 9, 2017 (15 pages).
Varilight Catalogue 2016, XFSP1—push button switch; 1 pg; <https://www.varilight.co.uk/flipbook/index.php?page=1>.
Topshall Push Button Panel; 2017; 1 pg.; <http://www.topshall-switch.com/panel-with-metal-switch-sets/2017-waterproof-international-illuminated.html>.
Luxonov 2019 Catalog; PNV001-CF push button light switch, 1 pg. <https://www.archiexpo.com/prod/luxonov/product-68488-1841755.html>.
U.S. Appl. No. 29/753,872, filed Oct. 2, 2020 (unpublished).
U.S. Appl. No. 29/753,911, filed Oct. 4, 2020 (unpublished).
U.S. Appl. No. 29/754,004, filed Oct. 5, 2020 (unpublished).

* cited by examiner

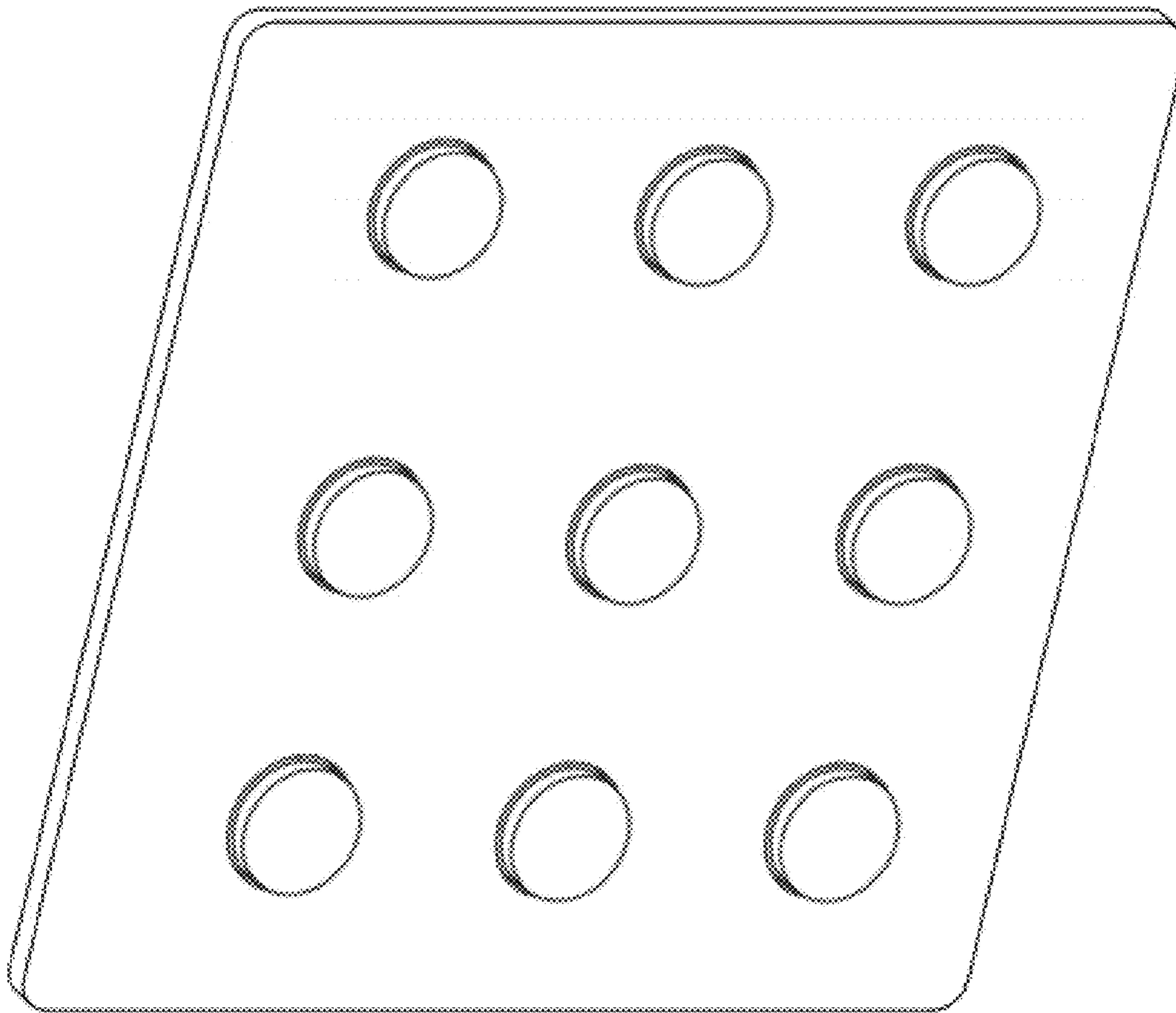


FIG. 1

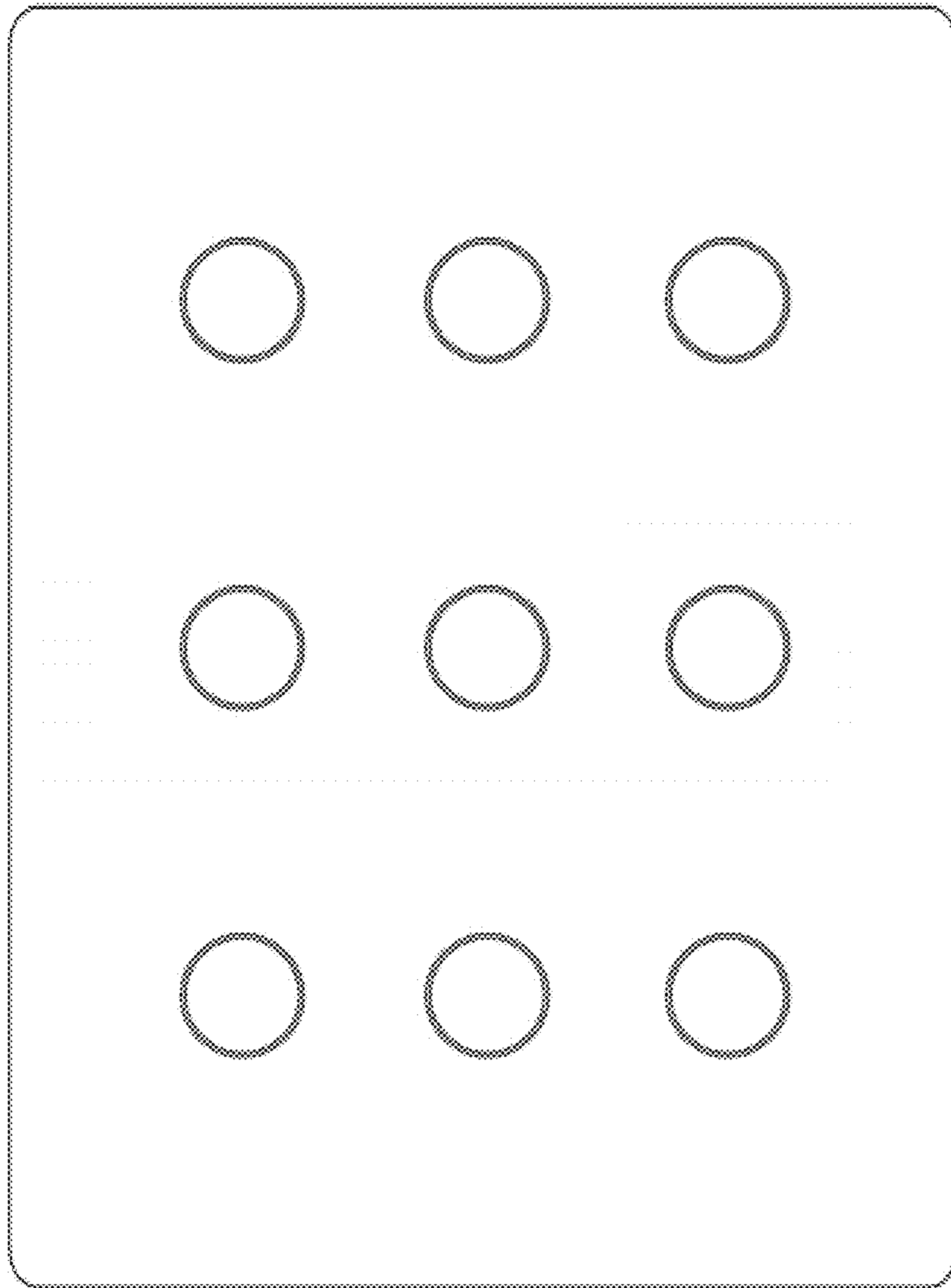


FIG. 2

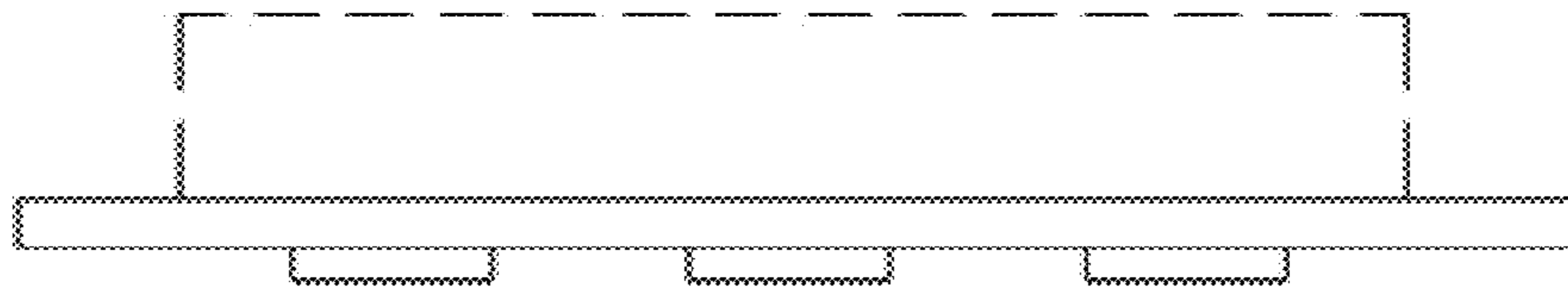


FIG. 4

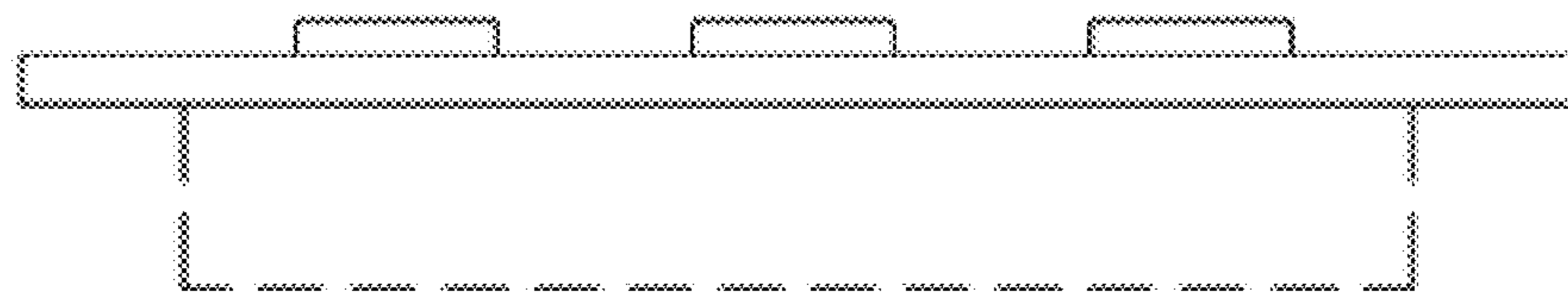


FIG. 3

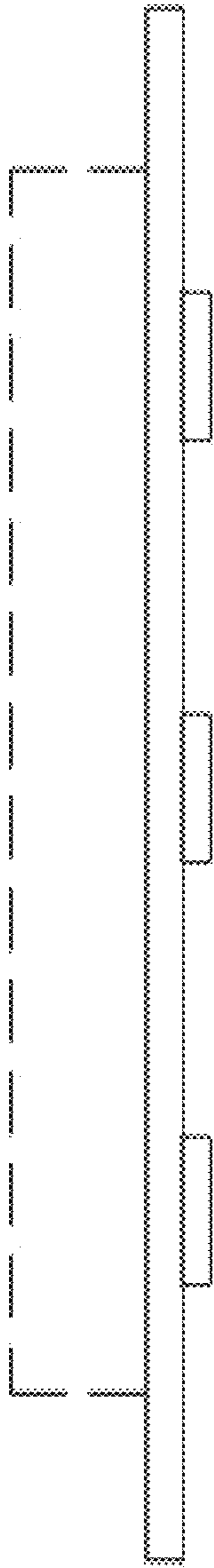


FIG. 5

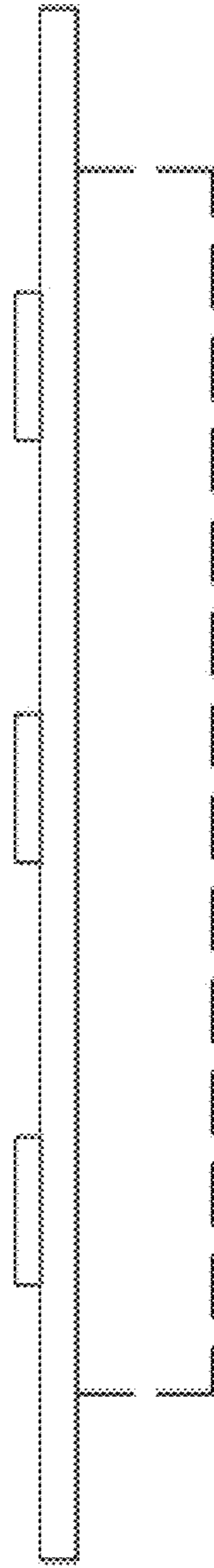


FIG. 6

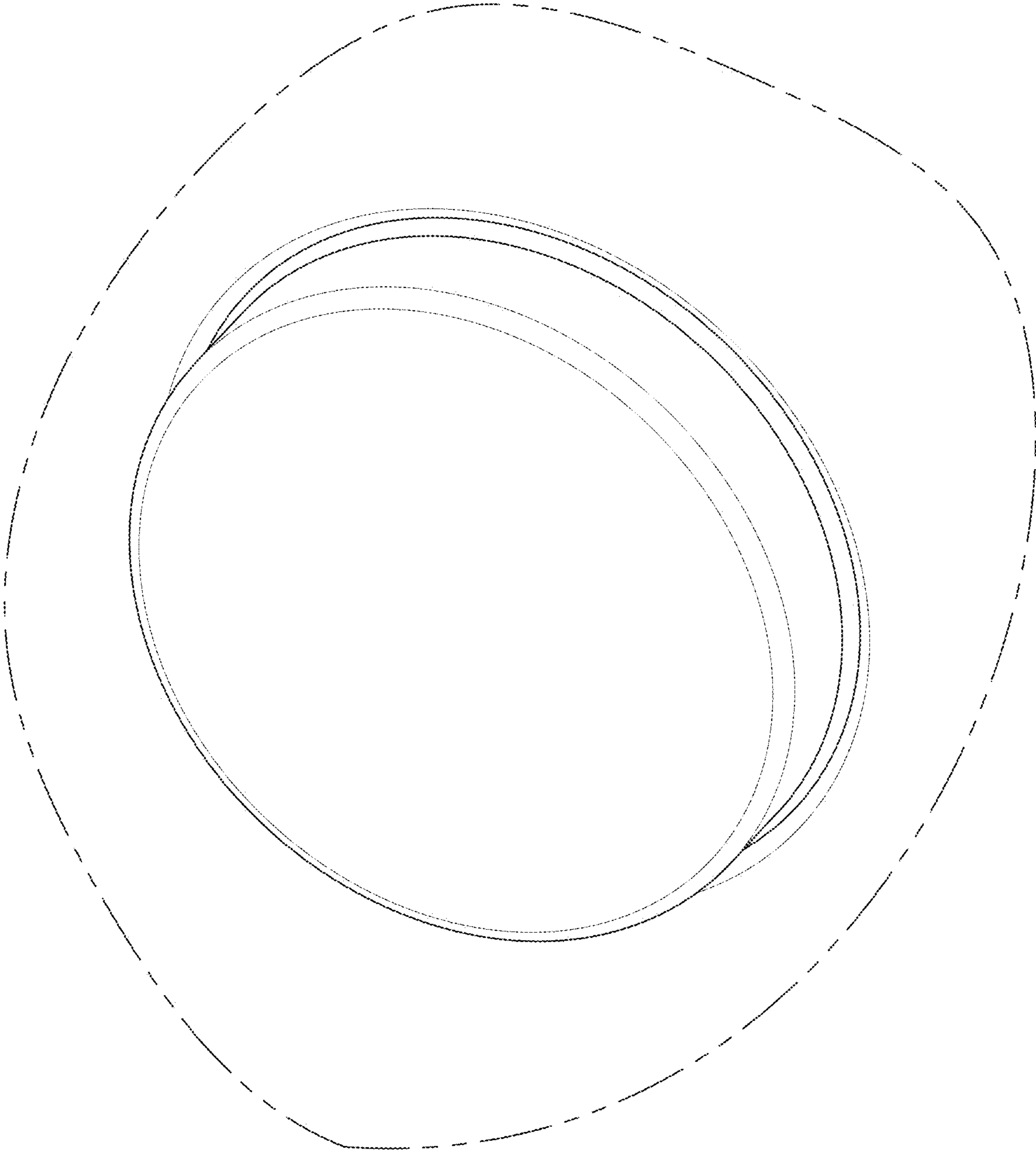


FIG. 7

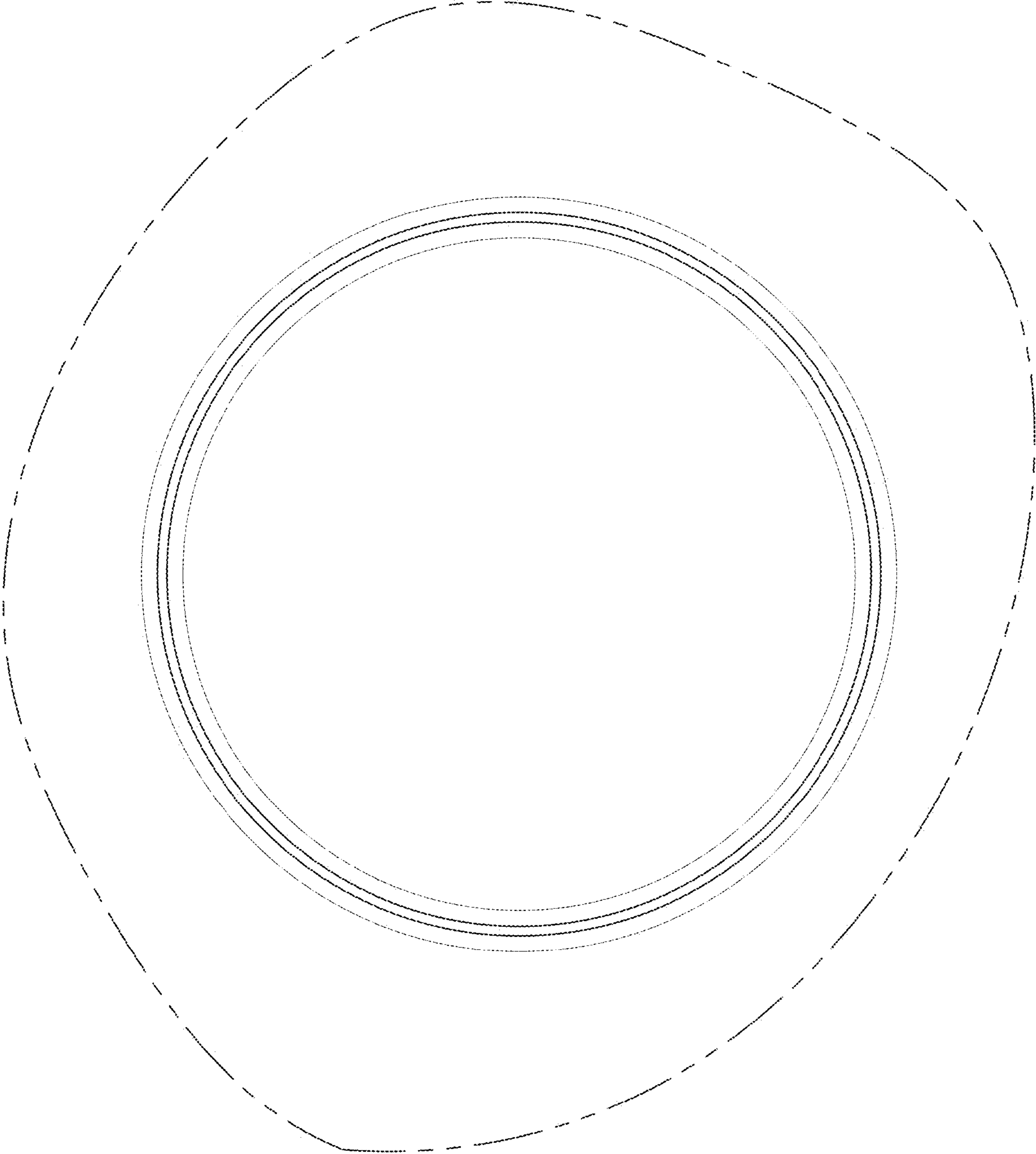


FIG. 8

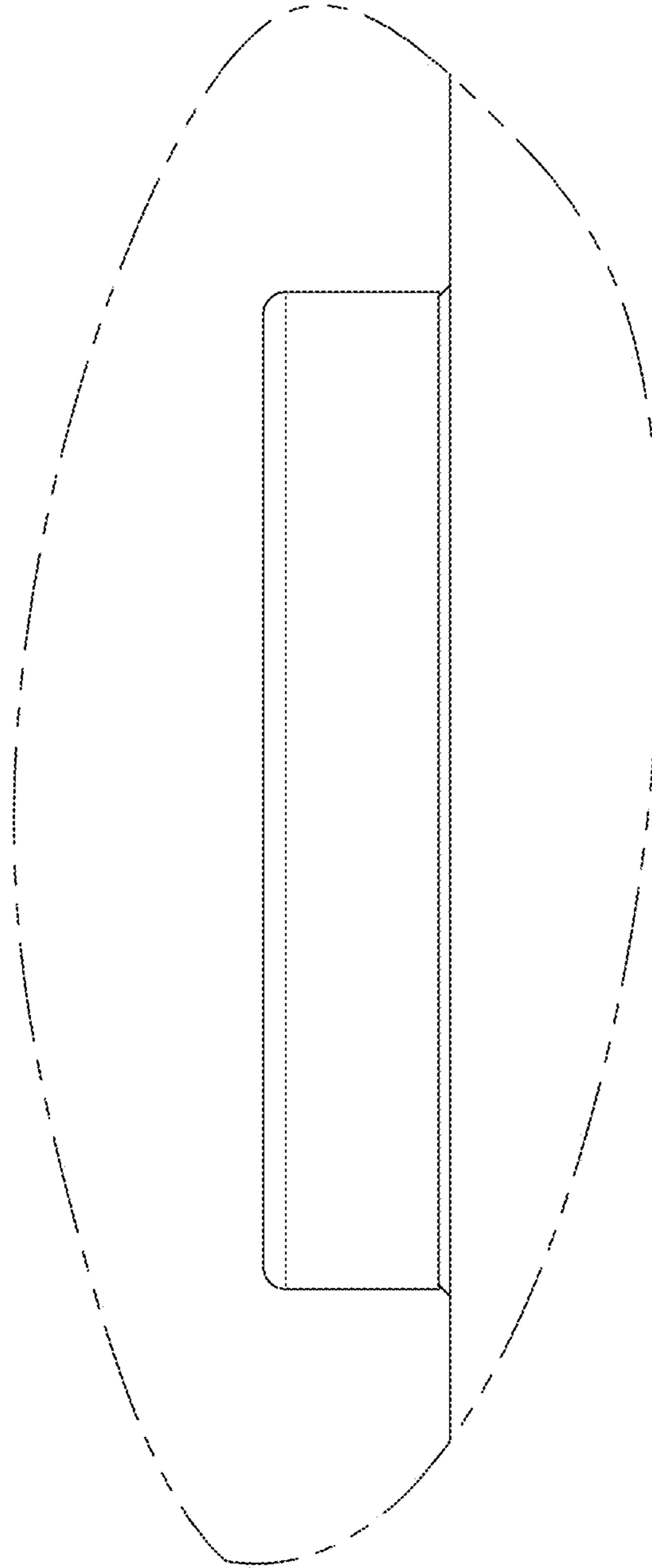


FIG. 9

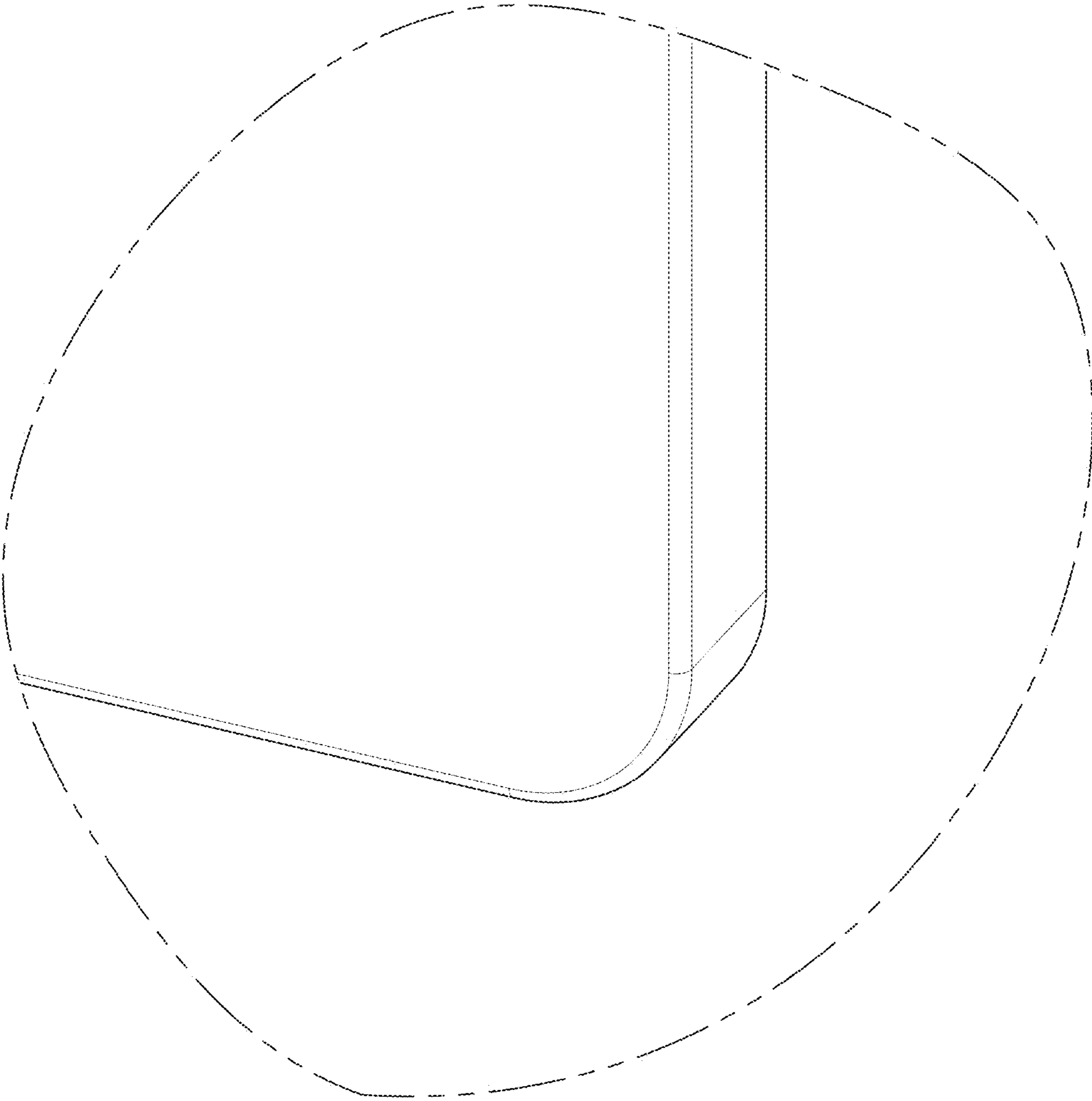


FIG. 10

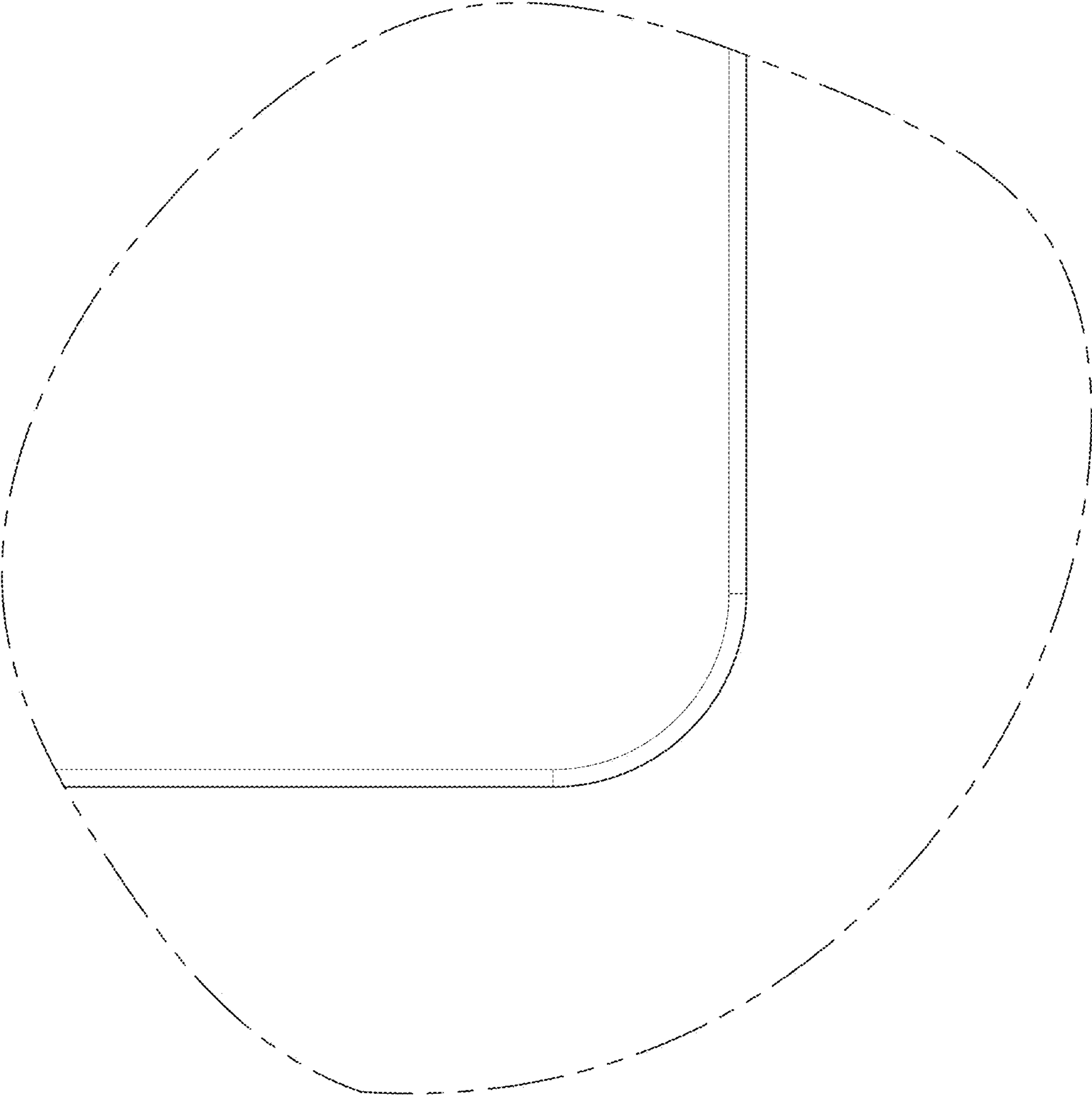


FIG. 11

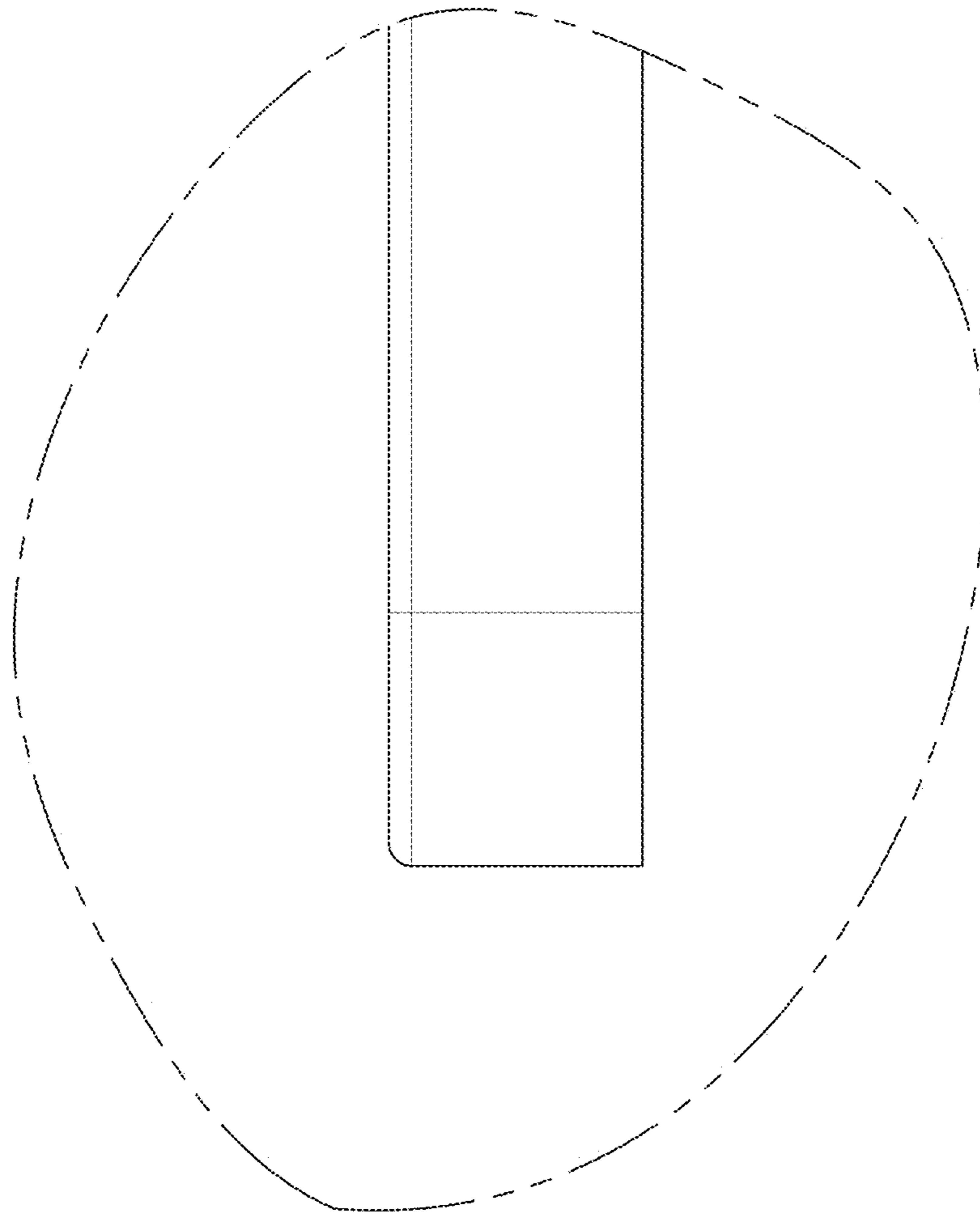


FIG. 12

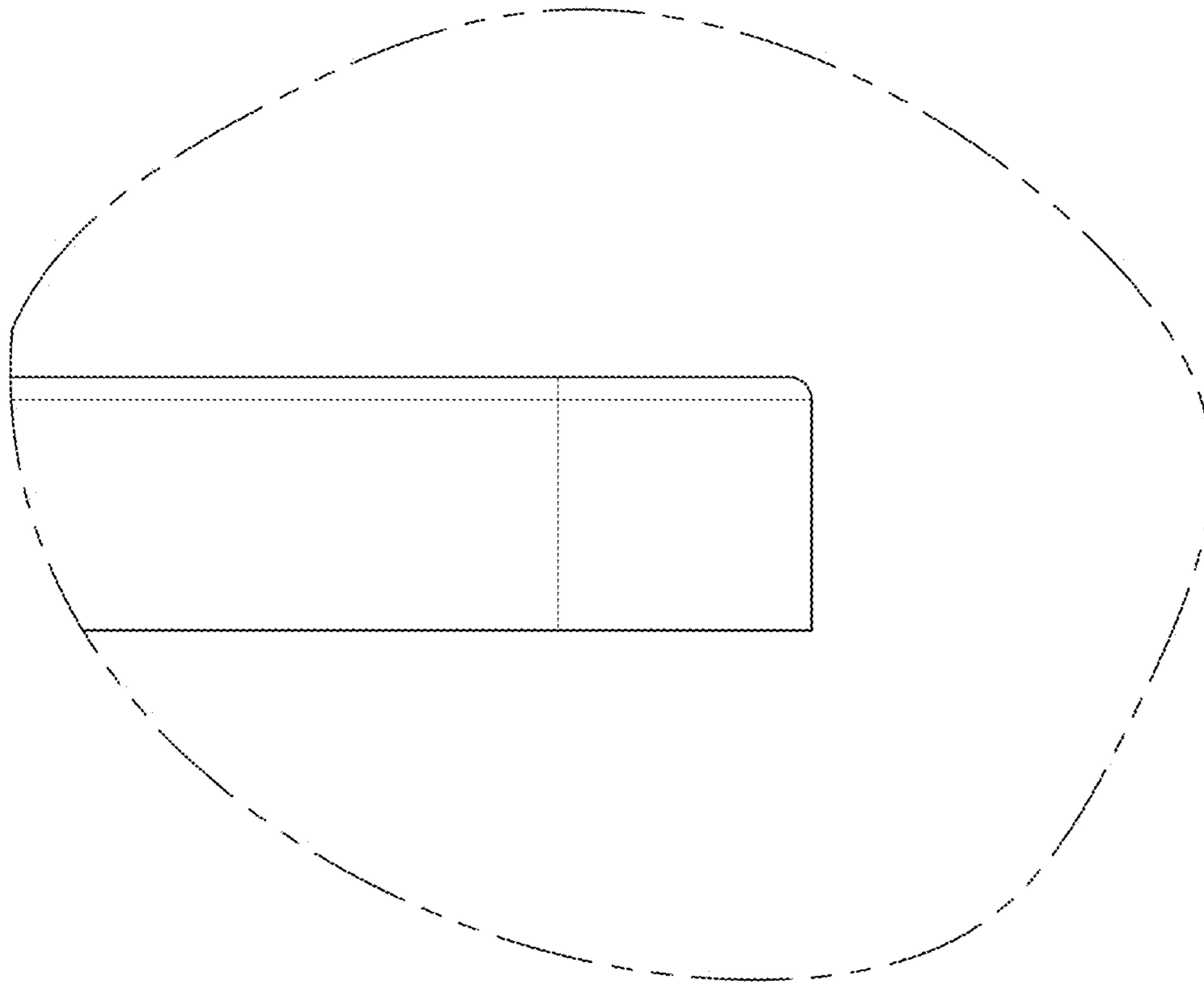


FIG. 13