

US00D978089S

(12) **United States Design Patent** (10) **Patent No.:** **US D978,089 S**
Jhun (45) **Date of Patent:** **** Feb. 14, 2023**

(54) **WALL MOUNTED BUTTON PANEL**

FOREIGN PATENT DOCUMENTS

(71) Applicant: **Crestron Electronics, Inc.**, Rockleigh,
NJ (US)

CA 123789 6/2009
CA 123790 6/2009
EM 000536990-0012 1/2006

(72) Inventor: **Sae Jhun**, Bayside, NY (US)

OTHER PUBLICATIONS

(73) Assignee: **Crestron Electronics, Inc.**, Rockleigh,
NJ (US)

Lutron Electronics Co., Inc., Palladium Brochure, P/N 367-2552
Rev E, Dec. 2015.

(**) Term: **15 Years**

(Continued)

(21) Appl. No.: **29/802,341**

Primary Examiner — Selina Sikder

(22) Filed: **Aug. 4, 2021**

(74) Attorney, Agent, or Firm — Crestron Electronics,
Inc.

(51) **LOC (14) Cl.** **13-03**

(52) **U.S. Cl.**

USPC **D13/164**

(57) **CLAIM**

(58) **Field of Classification Search**

USPC D13/162, 164, 171
CPC .. H01H 3/12; H01H 9/02; H01H 9/16; H01H
9/18; H01H 9/181; H01H 9/182; H01H
13/04; H01H 13/06; H01H 13/14; H01H
2009/187; H05B 39/02; H05B 39/04;
H05B 39/085; H05B 39/086; H05B
39/088; H03K 17/96; H03K 17/962

The ornamental design for a wall mounted button panel, as
shown and described.

See application file for complete search history.

DESCRIPTION

(56) **References Cited**

U.S. PATENT DOCUMENTS

4,359,619 A * 11/1982 Bergoltz H01H 3/122
220/241
D297,404 S 8/1988 Yandek et al.
D335,867 S 5/1993 Rowen
D394,042 S 5/1998 Hwang
5,999,083 A * 12/1999 Kordecki H01C 10/103
338/113
D436,930 S 1/2001 Butler
D437,585 S 2/2001 Mayo et al.
D450,043 S 11/2001 Mosebrook
6,380,696 B1 4/2002 Sembhi et al.
D465,460 S 11/2002 Mayo et al.
6,545,434 B2 4/2003 Sembhi et al.
D475,024 S 5/2003 Bennett et al.

FIG. 1 shows a top-front perspective view of a wall mounted
button panel.

FIG. 2 shows a bottom-front perspective view of the wall
mounted button panel.

FIG. 3 shows a front elevation view of the wall mounted
button panel.

FIG. 4 shows a left side view of the wall mounted button
panel.

FIG. 5 shows a right side view of the wall mounted button
panel.

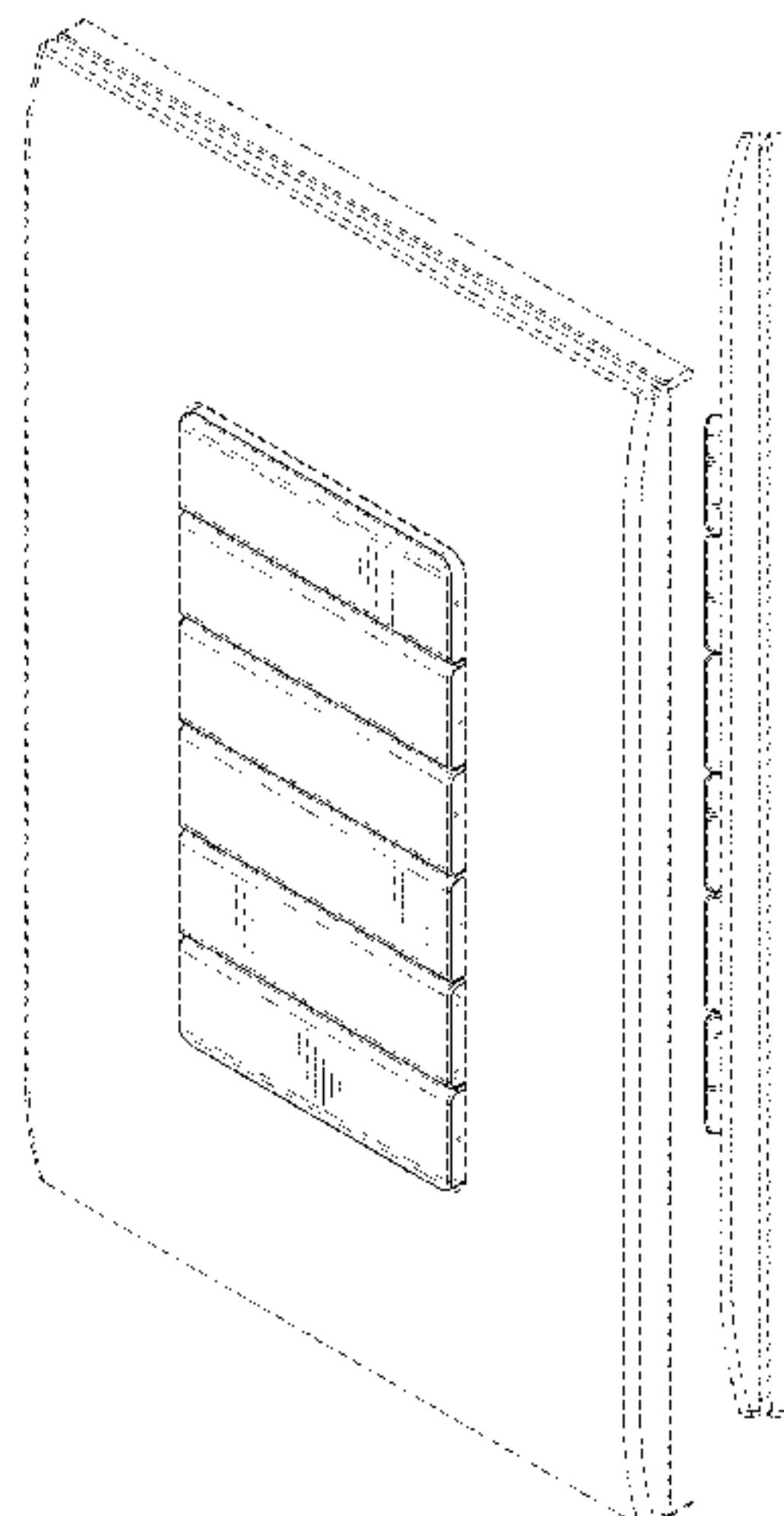
FIG. 6 shows a top view of the wall mounted button panel;
and,

FIG. 7 shows a bottom view of the wall mounted button
panel.

The broken line portion of the figure drawings is included to
show unclaimed subject matter only and forms no part of the
claimed design.

(Continued)

1 Claim, 5 Drawing Sheets



(56)

References Cited

U.S. PATENT DOCUMENTS

D518,794 S 4/2006 Hedderich et al.
 D519,939 S 5/2006 Hedderich et al.
 D539,758 S 4/2007 Blair et al.
 D543,951 S 6/2007 Blair et al.
 D563,326 S 3/2008 Patel et al.
 D564,457 S 3/2008 Billings et al.
 7,432,463 B2* 10/2008 Clegg H01H 13/70
 200/310
 D581,369 S 11/2008 Egea
 D626,092 S 10/2010 Clymer et al.
 D633,448 S 3/2011 Biery et al.
 D633,874 S 3/2011 Feldstein et al.
 D636,351 S 4/2011 Rodriguez et al.
 D638,375 S 5/2011 Clymer et al.
 8,149,591 B2* 4/2012 Feldstein H03B 5/364
 361/810
 8,289,716 B2* 10/2012 Patel H01H 9/168
 361/728
 D687,390 S 8/2013 McDonald et al.
 D714,736 S 10/2014 O'Donnell
 D715,231 S 10/2014 O'Donnell
 D721,659 S 1/2015 Rodriguez et al.
 D731,986 S 6/2015 Madsen et al.
 D733,073 S 6/2015 Larkin et al.
 D733,076 S 6/2015 Jacoby et al.
 D734,277 S 7/2015 Jacoby et al.
 D767,513 S 9/2016 Jacoby
 D768,582 S 10/2016 Jacoby
 9,608,418 B1* 3/2017 Elberbaum H02G 3/16
 D792,358 S 7/2017 Poulheim et al.

D803,167 S 11/2017 Jacoby et al.
 D813,177 S 3/2018 Poulheim et al.
 D813,828 S 3/2018 Jacoby et al.
 D834,539 S 11/2018 Poulheim et al.
 D887,372 S 6/2020 Jacoby et al.
 10,943,749 B2* 3/2021 Wisniewski H01H 23/143
 D929,947 S* 9/2021 Chandwani D13/162
 D929,965 S* 9/2021 Chandwani D14/218
 D952,578 S* 5/2022 Florczak D13/164
 D952,579 S* 5/2022 Florczak D13/164
 D959,391 S* 8/2022 Jhun D13/164
 D959,392 S* 8/2022 Jhun D13/164
 2016/0069537 A1 3/2016 Dimberg
 2016/0073467 A1 3/2016 McDonald et al.
 2016/0307714 A1* 10/2016 Bhate H01H 13/84
 2017/0146730 A1* 5/2017 O'Keefe G02B 6/0038

OTHER PUBLICATIONS

PCS PulseWorx, KPC 7-Button Controller Manual Configuration Guide, Version 1.0, Oct. 1, 2013.
 Control4 Lighting Equipment, available at www.c4ny.com/products/c4/lighting, accessed on Sep. 21, 2016.
 U.S. Appl. No. 29/293,669, filed Dec. 4, 2007, titled "Lighting control keypad", Abandoned.
 U.S. Appl. No. 29/761,601, filed Dec. 10, 2020, titled "Wall Mounted Button Panel".
 U.S. Appl. No. 29/761,604, filed Dec. 10, 2020, titled "Wall Mounted Button Panel".
 U.S. Appl. No. 29/765,010, filed Jan. 5, 2021, titled "Wall Mounted Button Panel".

* cited by examiner

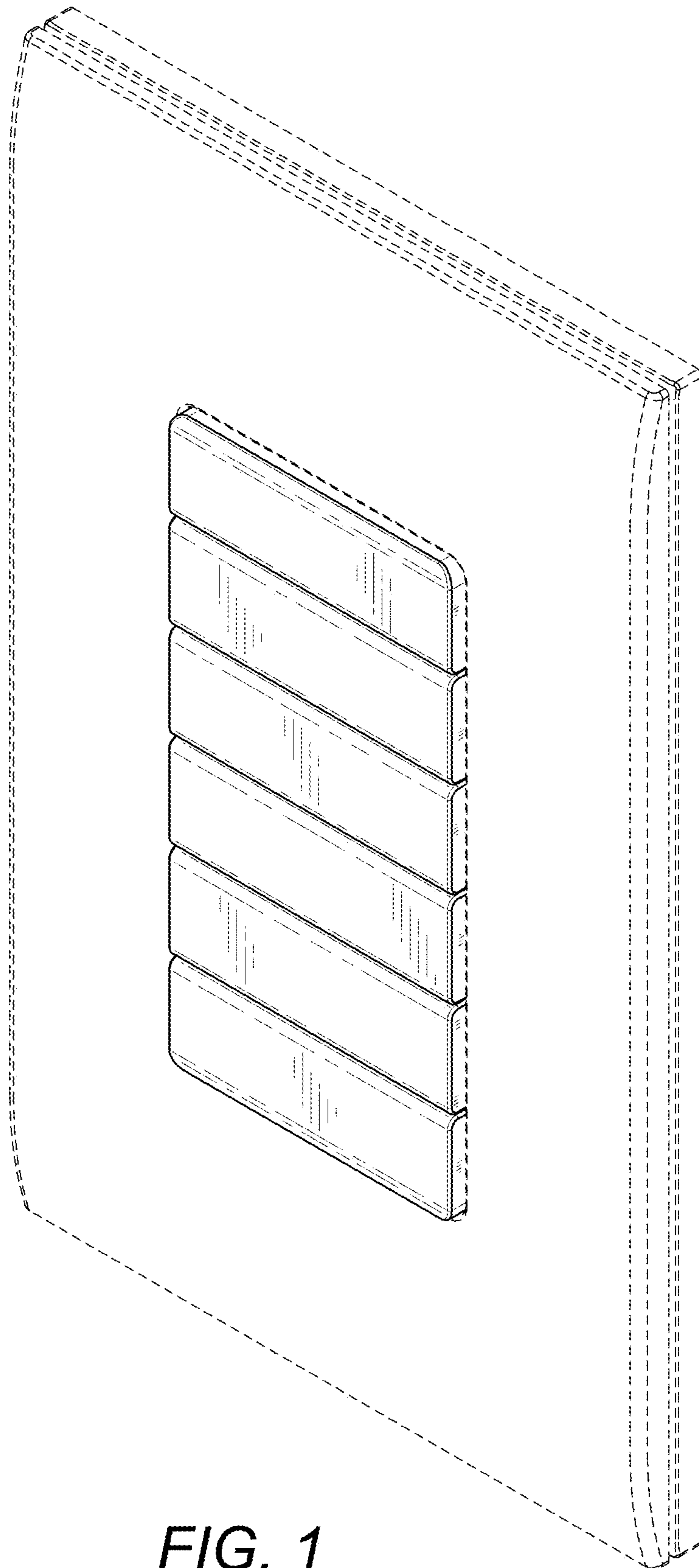


FIG. 1

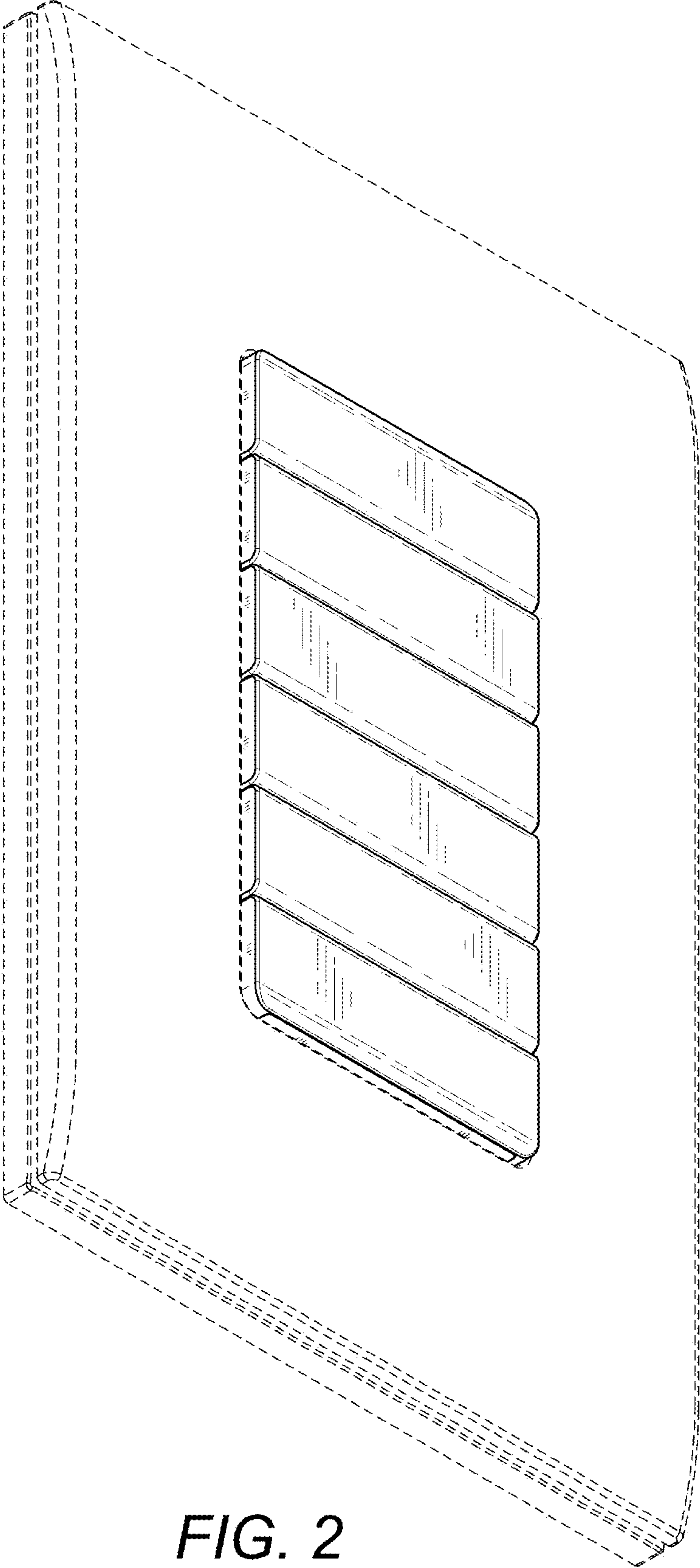


FIG. 2

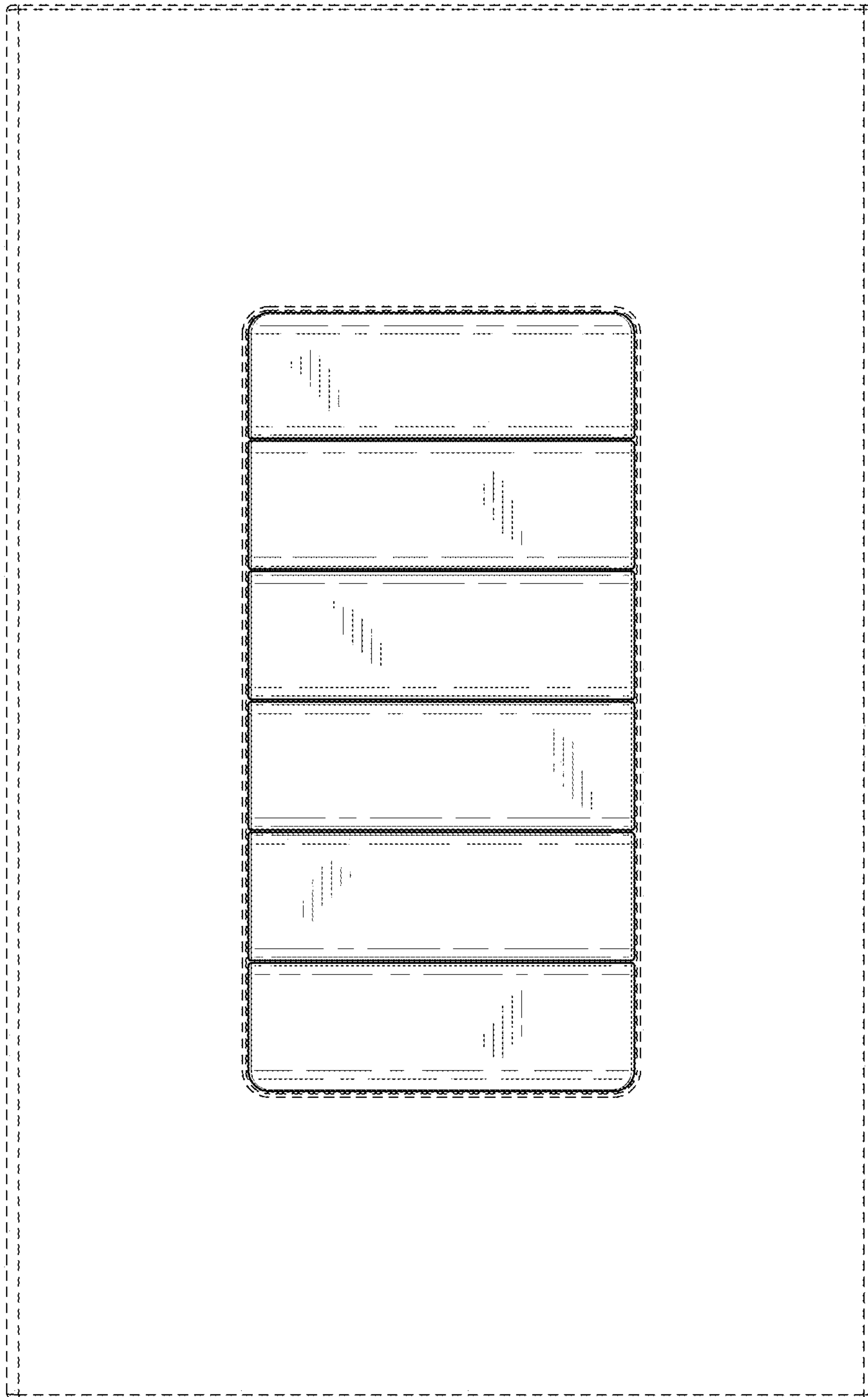


FIG. 3



FIG. 4

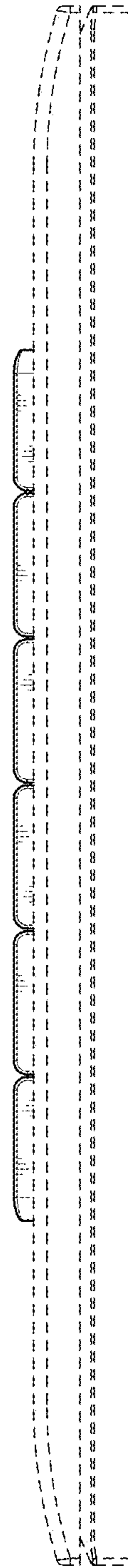


FIG. 5

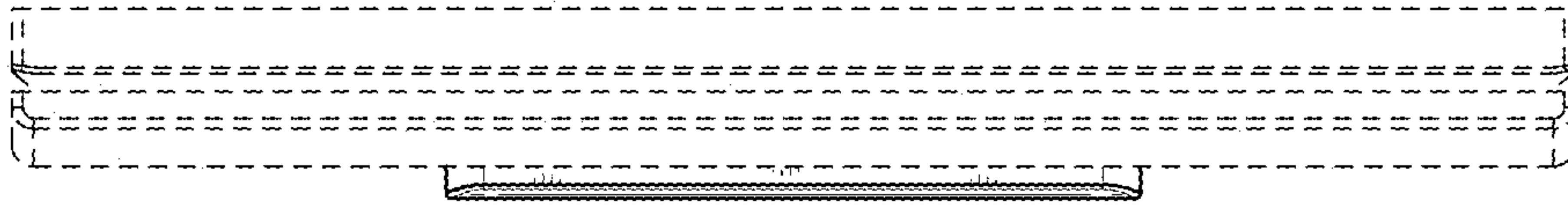


FIG. 6

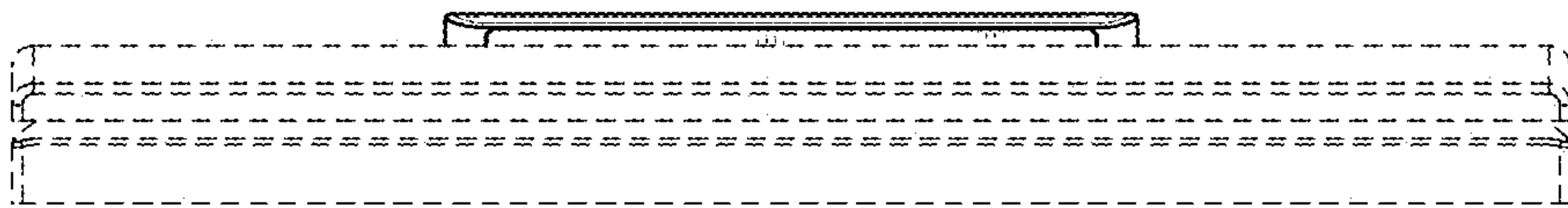


FIG. 7