



US00D978087S

(12) **United States Design Patent**  
**Bernstein**

(10) **Patent No.:** **US D978,087 S**

(45) **Date of Patent:** **\*\* Feb. 14, 2023**

(54) **BATTERY COMPARTMENT COVER WITH  
POWER CONNECTOR HOLE**

D700,583 S \* 3/2014 Bacchus ..... D13/184  
D833,423 S \* 11/2018 Guerdrum ..... D14/250  
D889,409 S \* 7/2020 Wheaton ..... D13/119

(71) Applicant: **Arthur B. Bernstein**, Rio Rancho, NM  
(US)

\* cited by examiner

(72) Inventor: **Arthur B. Bernstein**, Rio Rancho, NM  
(US)

*Primary Examiner* — Jennifer O King

(\*\*) Term: **15 Years**

(57) **CLAIM**

The ornamental design for a battery compartment cover with power connector hole, as shown and described.

(21) Appl. No.: **29/753,908**

**DESCRIPTION**

(22) Filed: **Oct. 3, 2020**

(51) **LOC (14) Cl.** ..... **13-03**

(52) **U.S. Cl.**  
USPC ..... **D13/156**

(58) **Field of Classification Search**  
USPC ..... D13/151, 154, 155, 156; D8/350, 352,  
D8/351

See application file for complete search history.

FIG. 1 is a front view of the battery compartment cover with power connector hole, showing my new design;  
FIG. 2 is a top view thereof;  
FIG. 3 is a left side view thereof; the right side view is a mirror image of the left side view thereof;  
FIG. 4 is a bottom view thereof;  
FIG. 5 is a back view thereof;  
FIG. 6 is a perspective view thereof;  
FIG. 7 is a perspective view thereof, shown in an exemplary environment; and,  
FIG. 8 is a perspective view thereof, shown in an exemplary environment.

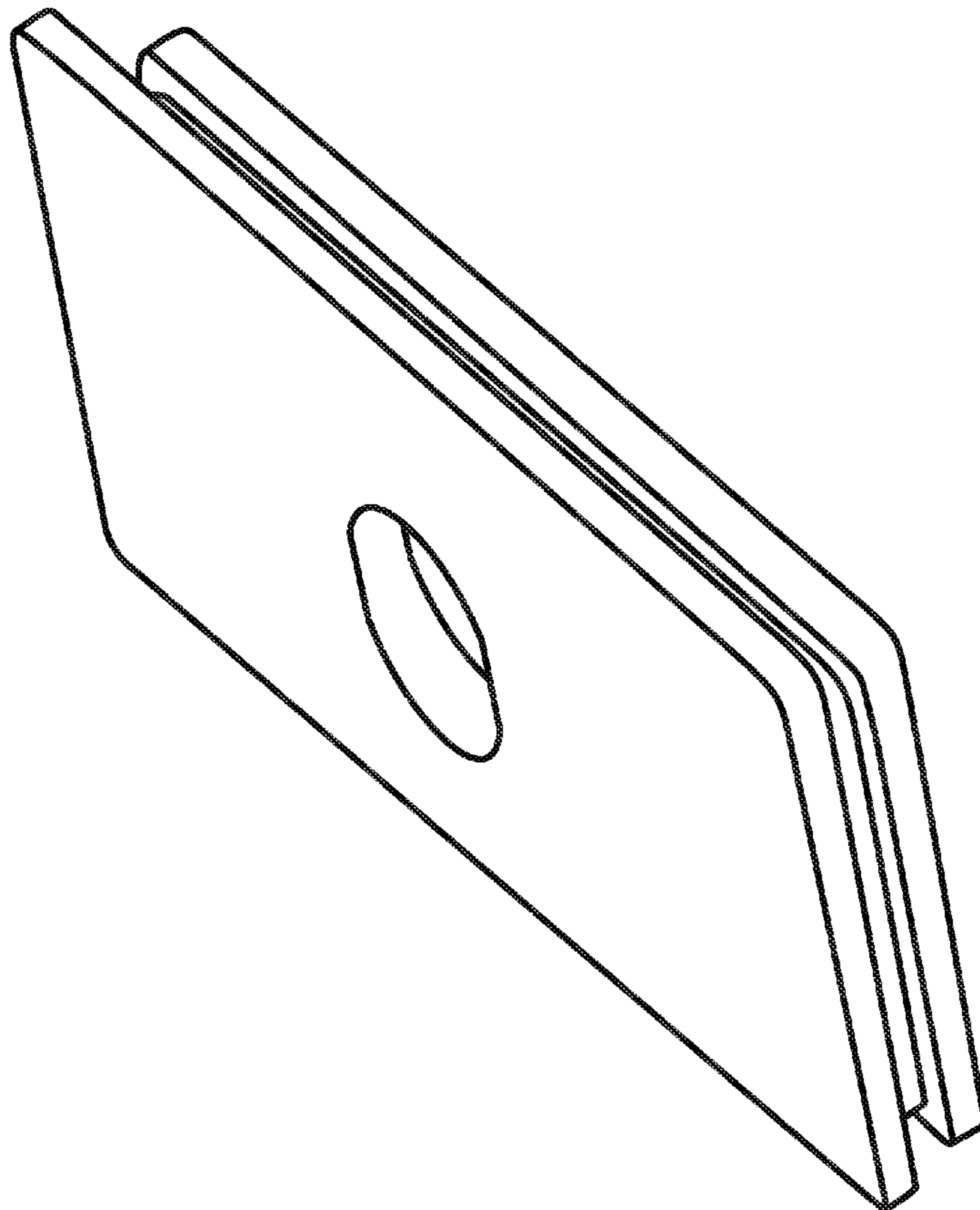
The broken lines in the Figures are included only for the purpose of illustrating the environment in which the invention is used and form no part of the claimed design.

(56) **References Cited**

**U.S. PATENT DOCUMENTS**

2,642,202 A \* 6/1953 Cowan ..... A45D 40/221  
132/301  
D339,063 S \* 9/1993 Simon ..... D9/432  
D481,716 S \* 11/2003 He ..... D14/248  
D644,989 S \* 9/2011 Guccione ..... D13/108

**1 Claim, 8 Drawing Sheets**



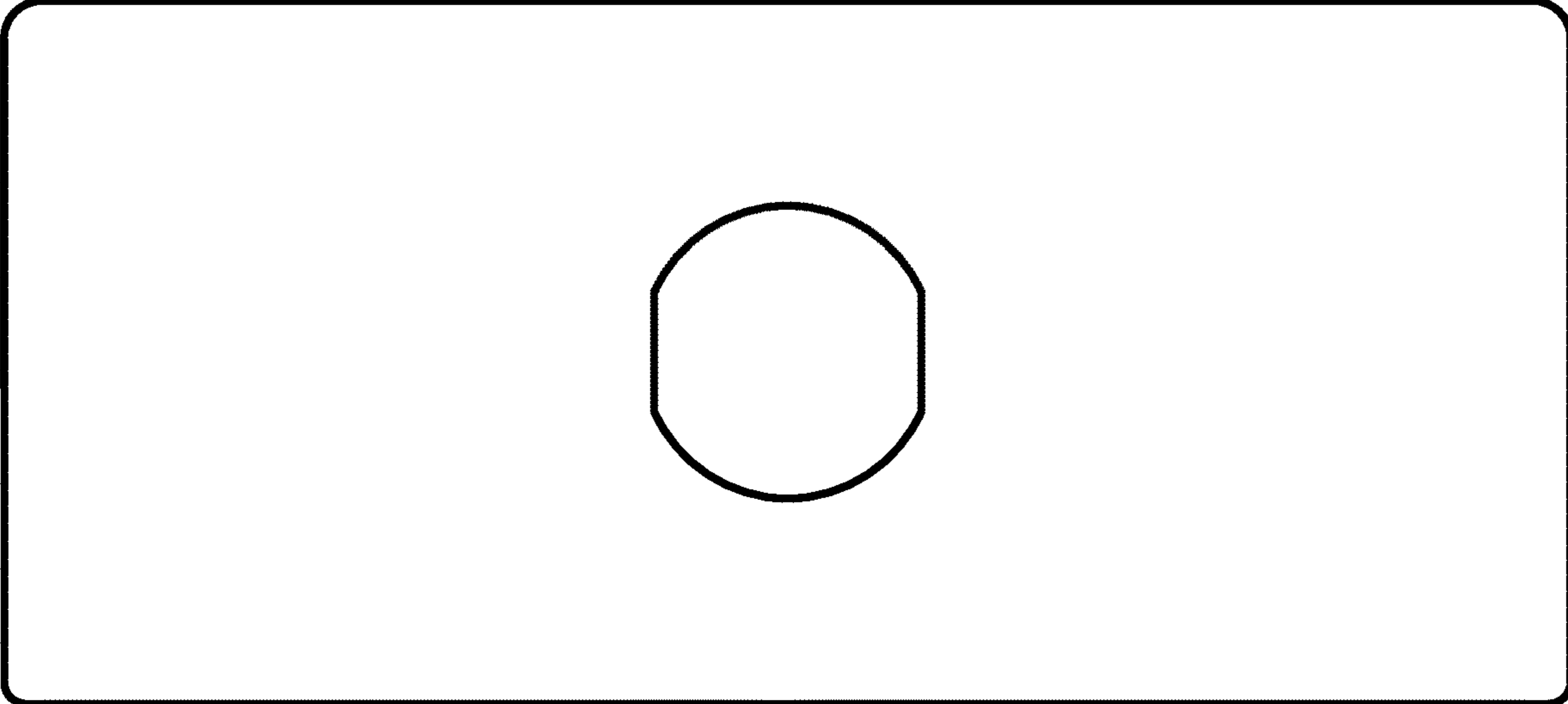
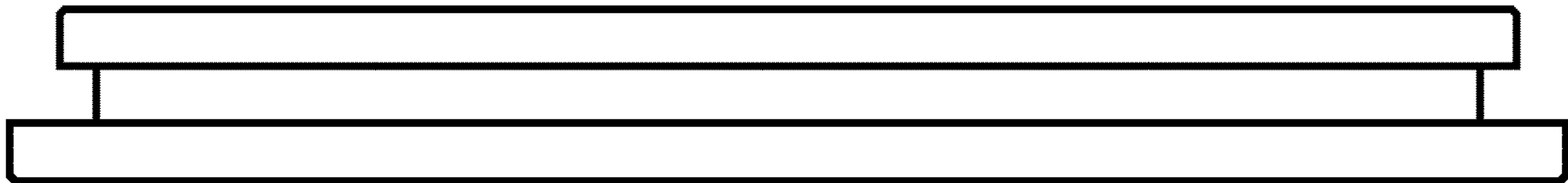


Figure 1



**Figure 2**

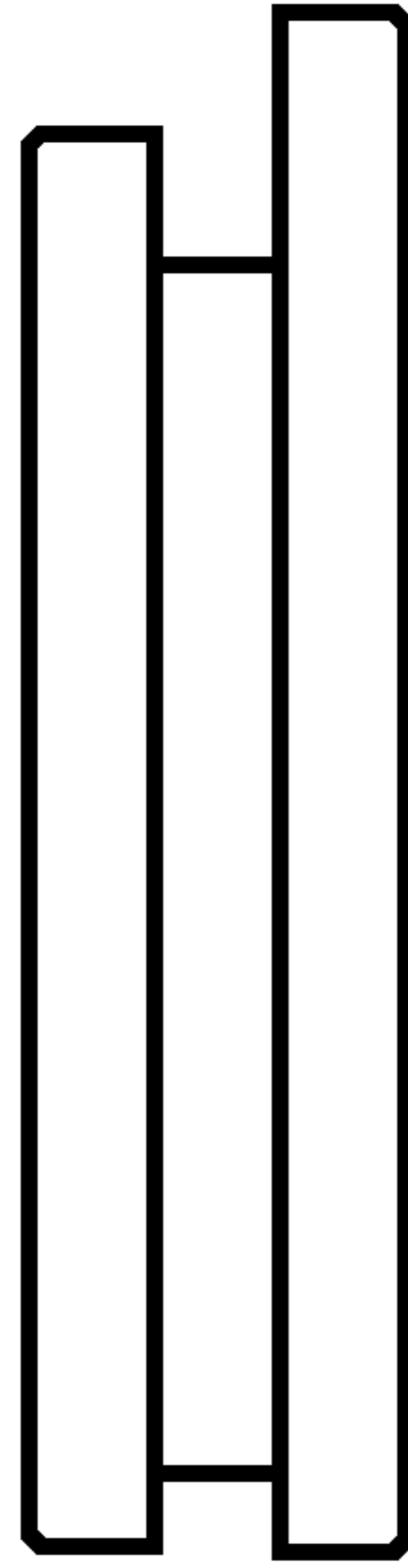


Figure 3

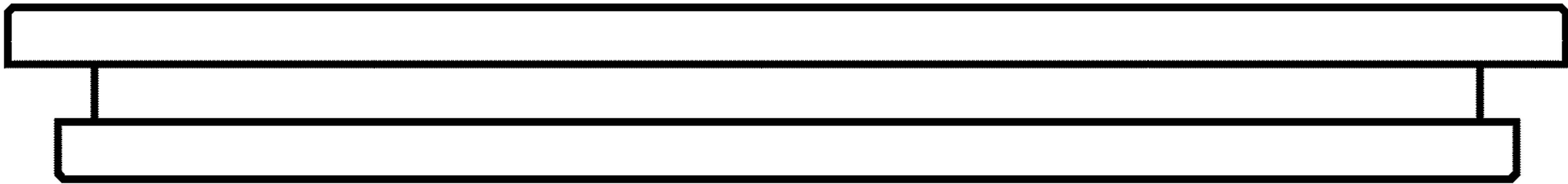


Figure 4

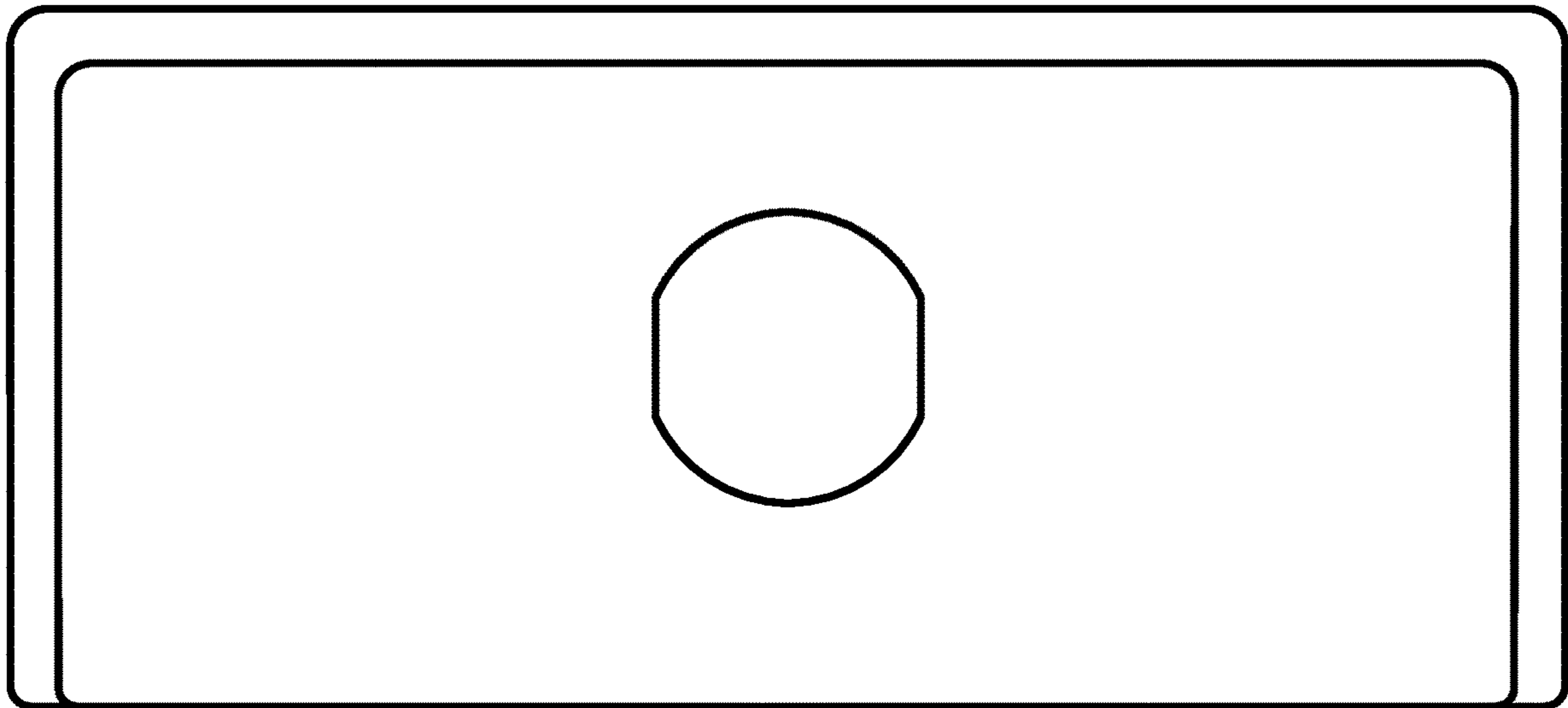


Figure 5

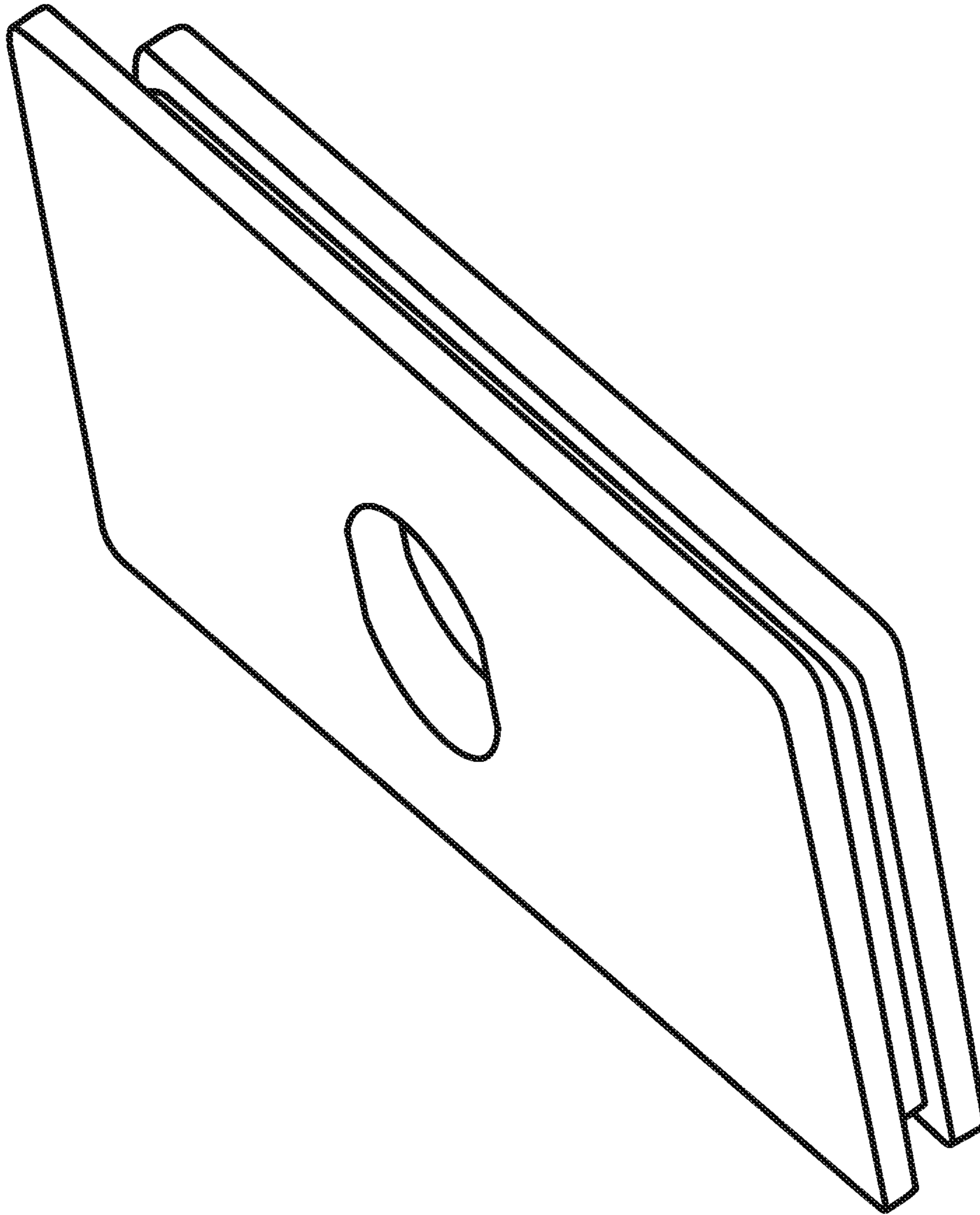


Figure 6

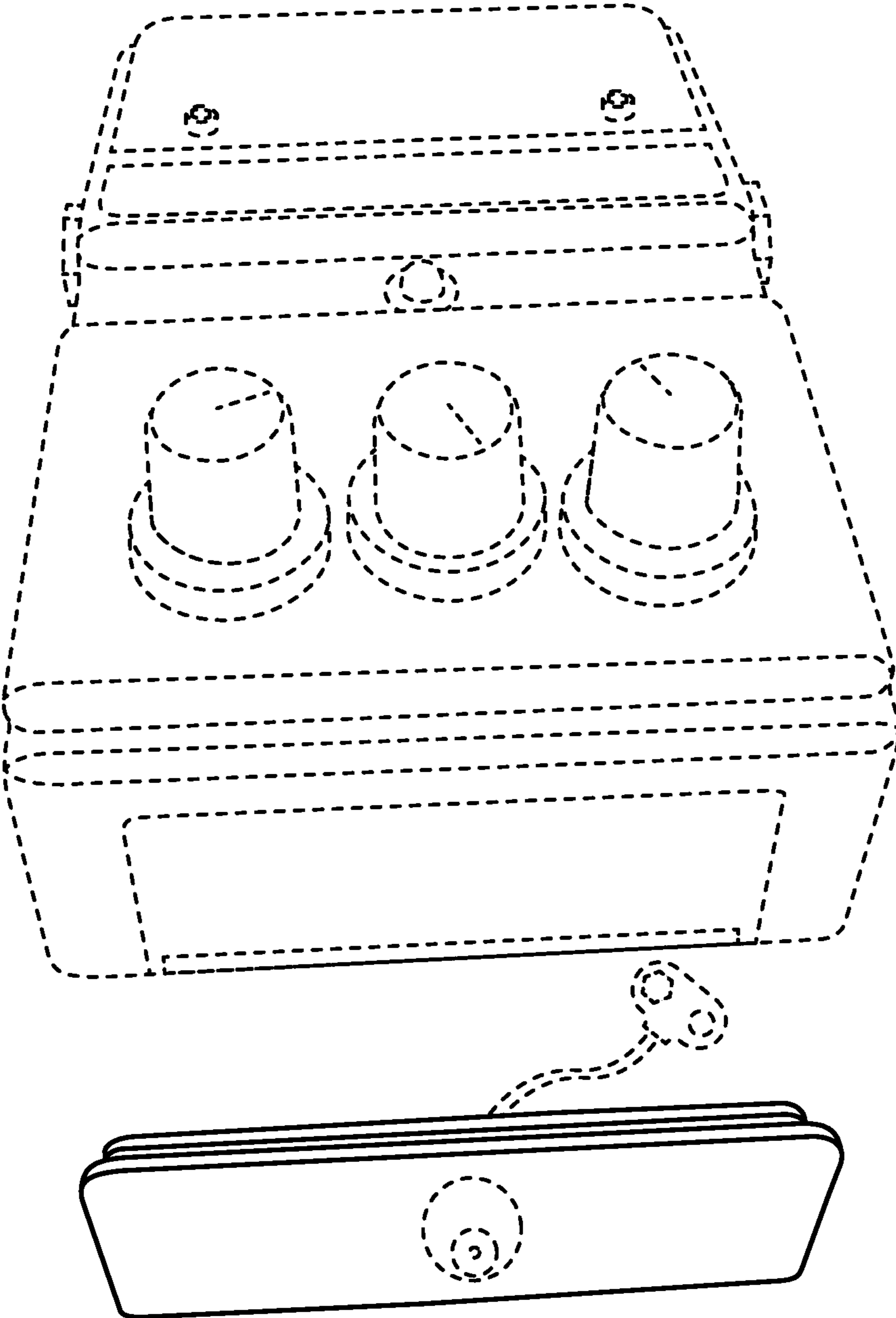


Figure 7



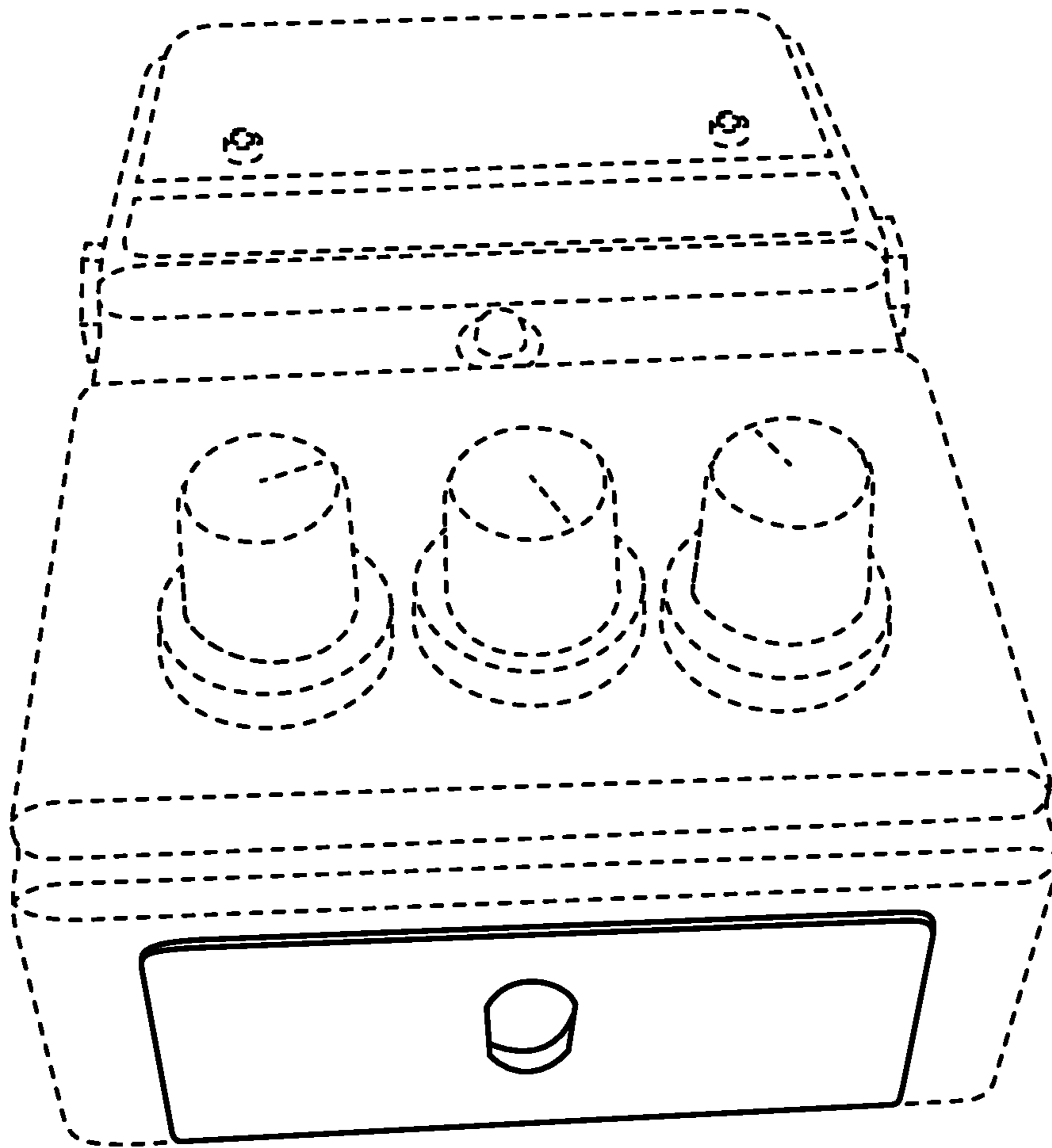


Figure 8