



US00D978086S

(12) **United States Design Patent** (10) **Patent No.:** **US D978,086 S**
Roos et al. (45) **Date of Patent:** **** Feb. 14, 2023**

(54) **BLIND MATE WAVEGUIDE FLANGE**

(71) Applicant: **Roos Instruments, Inc.**, Santa Clara, CA (US)

(72) Inventors: **Mark Roos**, San Carlos, CA (US);
Rick Rodriguez, Brentwood, CA (US);
Ray Beers, San Jose, CA (US)

(73) Assignee: **Roos Instruments, Inc.**, Santa Clara, CA (US)

(**) Term: **15 Years**

(21) Appl. No.: **29/745,072**

(22) Filed: **Aug. 3, 2020**

Related U.S. Application Data

(62) Division of application No. 29/627,999, filed on Nov. 30, 2017, now Pat. No. Des. 908,641.

(51) **LOC (14) Cl.** **13-03**

(52) **U.S. Cl.**
USPC **D13/155; D10/47**

(58) **Field of Classification Search**
USPC D13/151, 154, 155, 133; D10/47, 46,
D10/103

CPC H01R 13/622; H01P 5/082; H01P 1/042
See application file for complete search history.

(56) **References Cited**

U.S. PATENT DOCUMENTS

- 2,837,723 A 6/1958 Krantz et al.
- D184,533 S 3/1959 Overholser et al.
- D195,432 S * 6/1963 Ely, Jr. et al. D10/103
- 3,374,450 A 3/1968 Stewart
- 3,784,939 A 1/1974 Maeda et al.

- 3,818,383 A 6/1974 Willis
- 3,942,141 A 3/1976 Kaffenberger
- D272,910 S 3/1984 Taggart et al.
- D278,141 S 3/1985 Steidel
- 4,540,959 A 9/1985 Saad
- D288,315 S 2/1987 Nelson
- 5,364,136 A 11/1994 Forti et al.
- 6,386,914 B1 5/2002 Collins et al.
- 6,583,693 B2 6/2003 Paynter et al.
- 6,891,513 B2 * 5/2005 Kienzle A61P 37/02
343/786
- 7,893,789 B2 2/2011 Paynter
- D720,698 S 1/2015 Zerebilov et al.
- 9,490,590 B2 * 11/2016 Pari G02B 6/4278
- 9,667,018 B2 * 5/2017 Liu H01R 13/64
- 2018/0289359 A1 * 10/2018 Heims A61B 8/4483
- 2019/0165479 A1 * 5/2019 Roos H01P 5/183

* cited by examiner

Primary Examiner — Jennifer O King

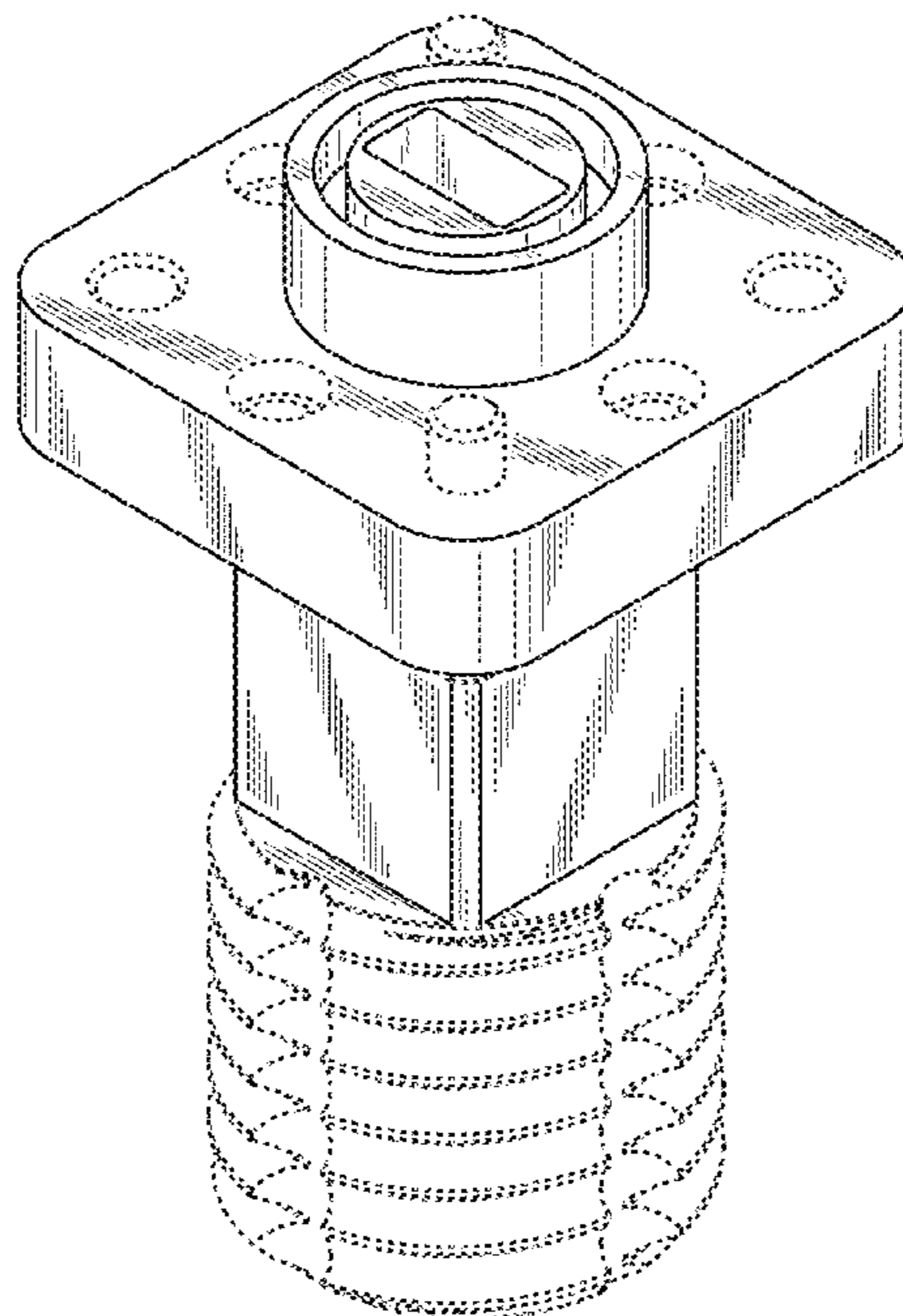
(57) **CLAIM**

We claim the ornamental design for a blind mate waveguide flange, as shown and described.

DESCRIPTION

FIG. 1 is a top front right perspective view of a blind mate waveguide flange;
 FIG. 2 is a bottom rear left perspective view thereof;
 FIG. 3 is a front elevational view thereof;
 FIG. 4 is a right side elevational view thereof;
 FIG. 5 is a rear elevational view thereof;
 FIG. 6 is a left side elevational view thereof;
 FIG. 7 is a top plan view thereof; and,
 FIG. 8 is a bottom plan view thereof.
 The broken lines shown represent portions of the blind mate waveguide flange that form no part of the claimed design.

1 Claim, 4 Drawing Sheets



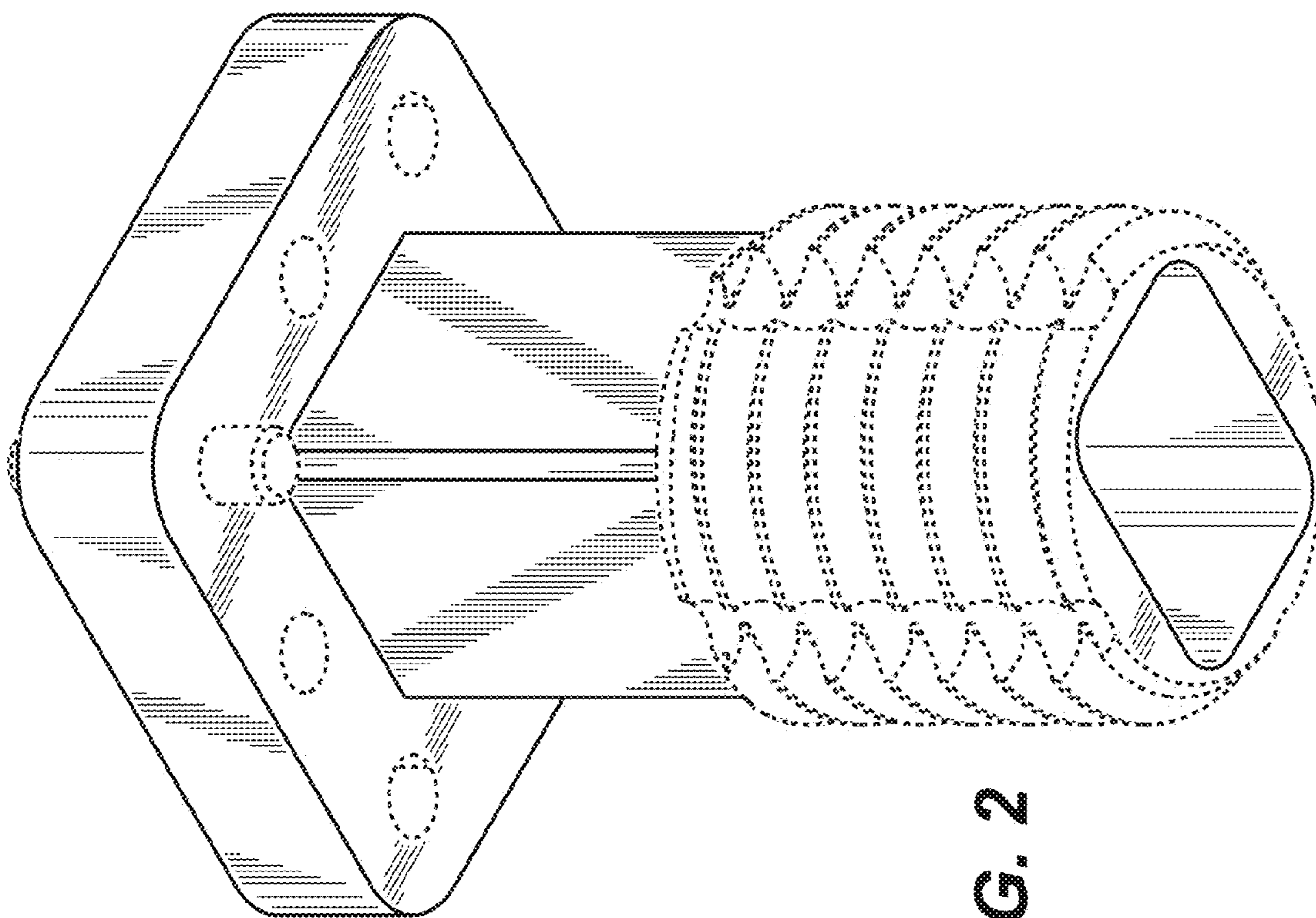


FIG. 2

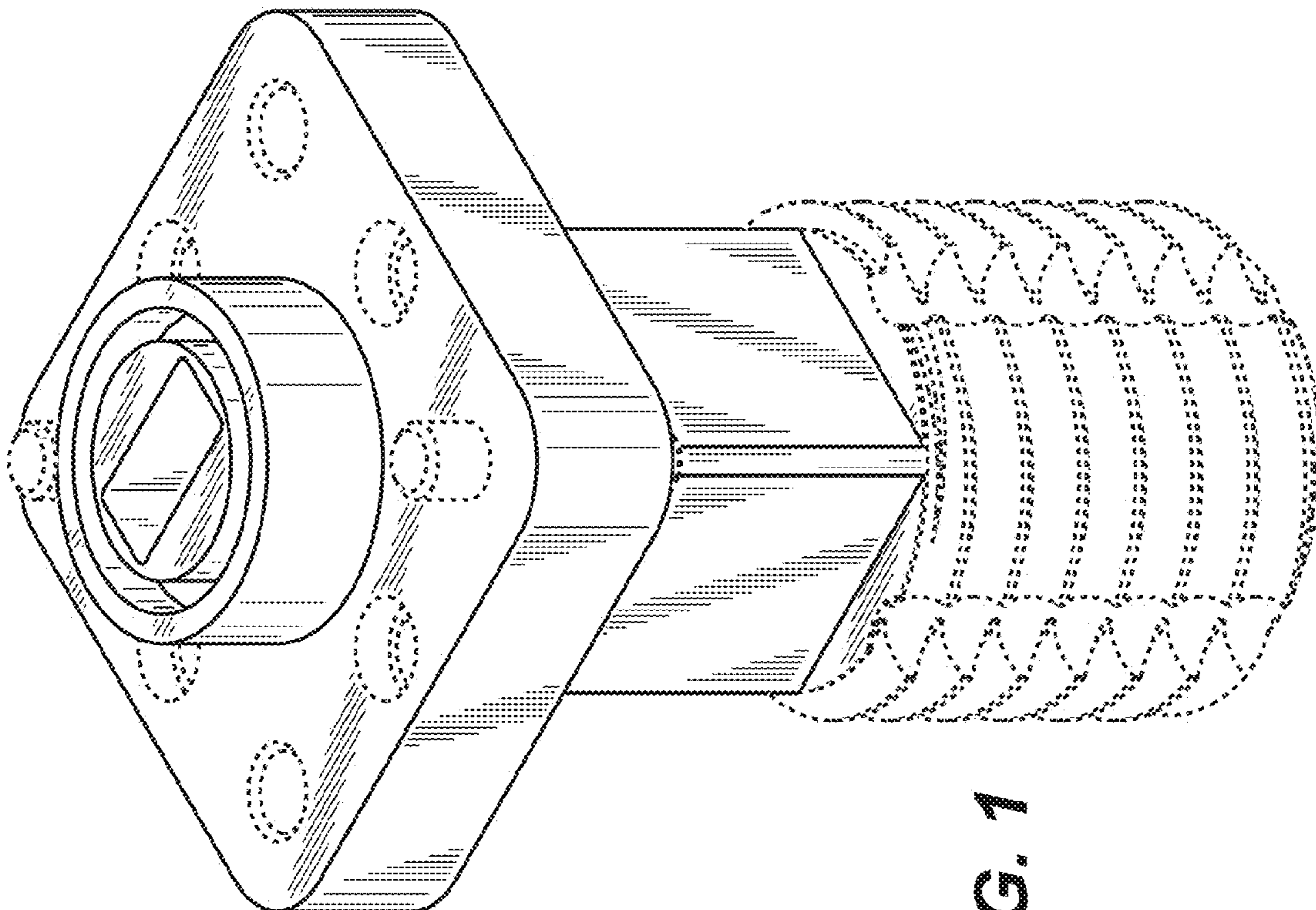


FIG. 1

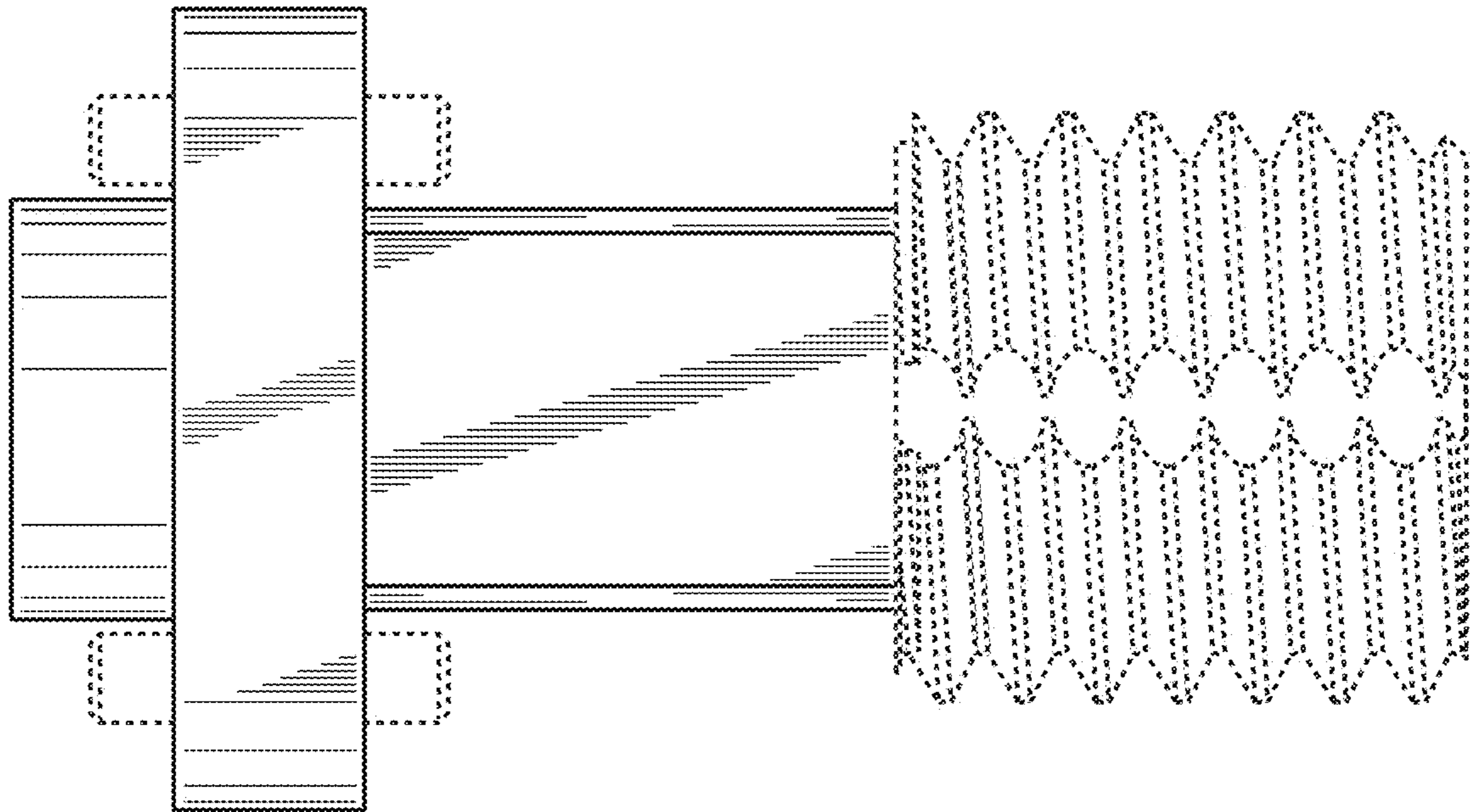


FIG. 4

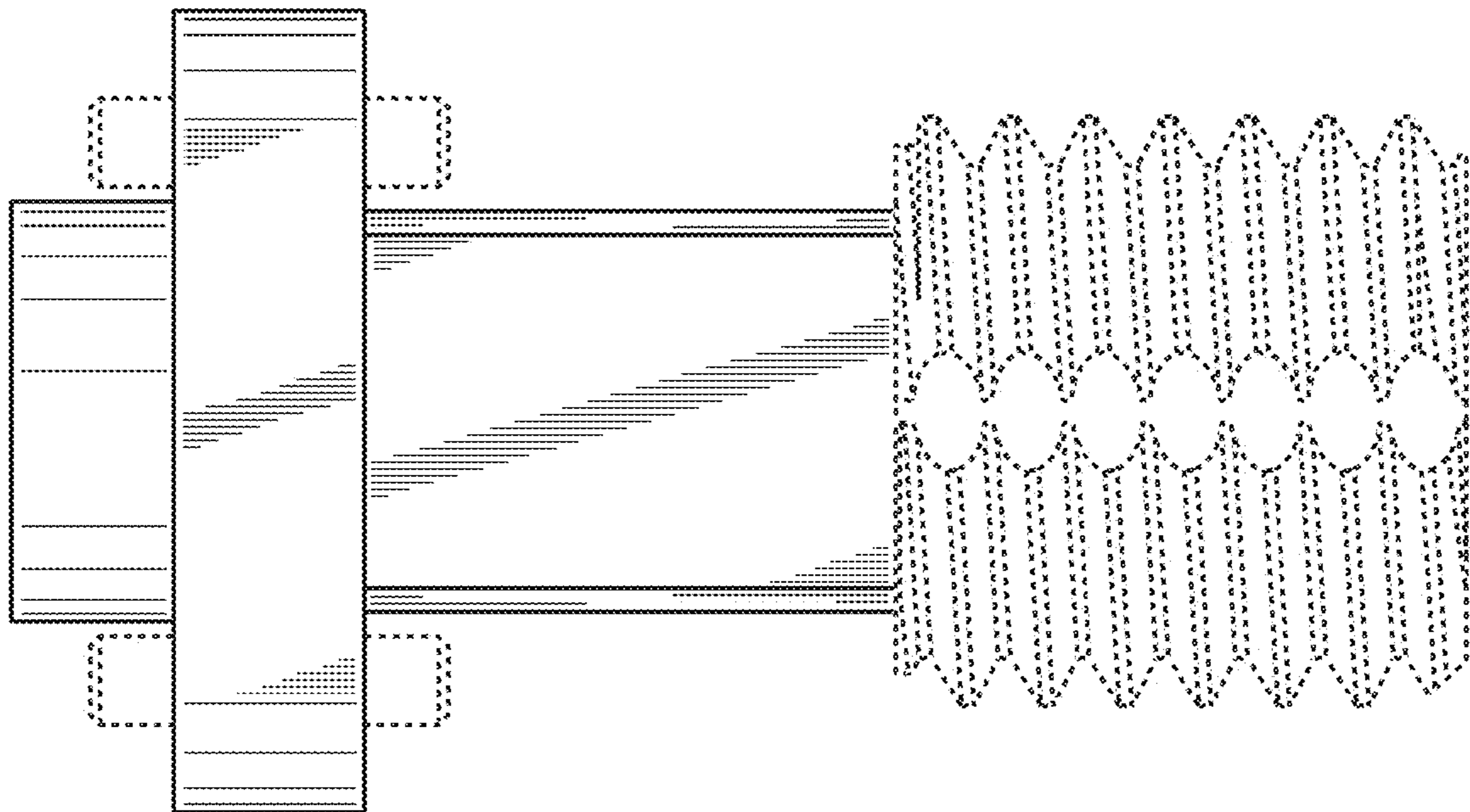


FIG. 3

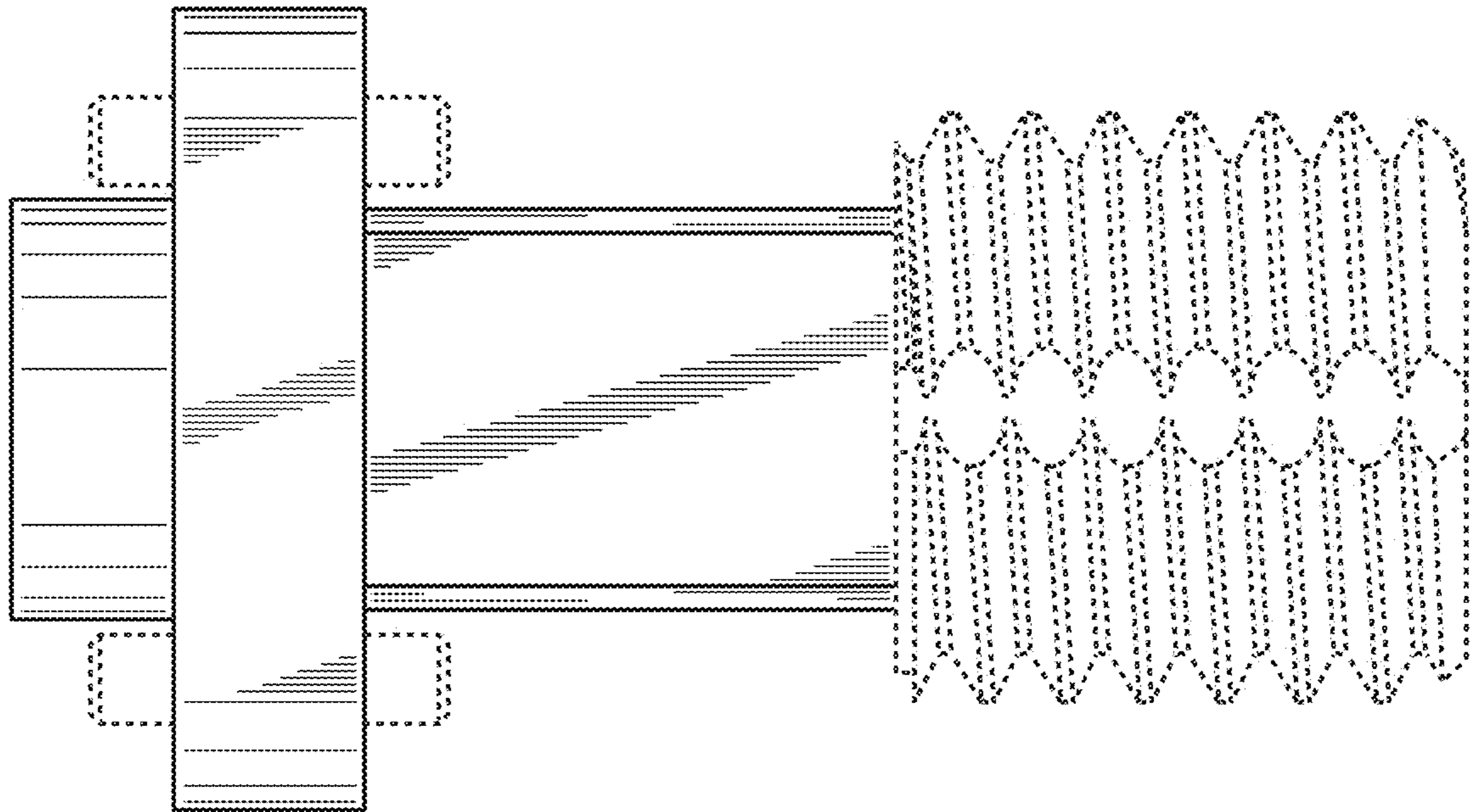


FIG. 6

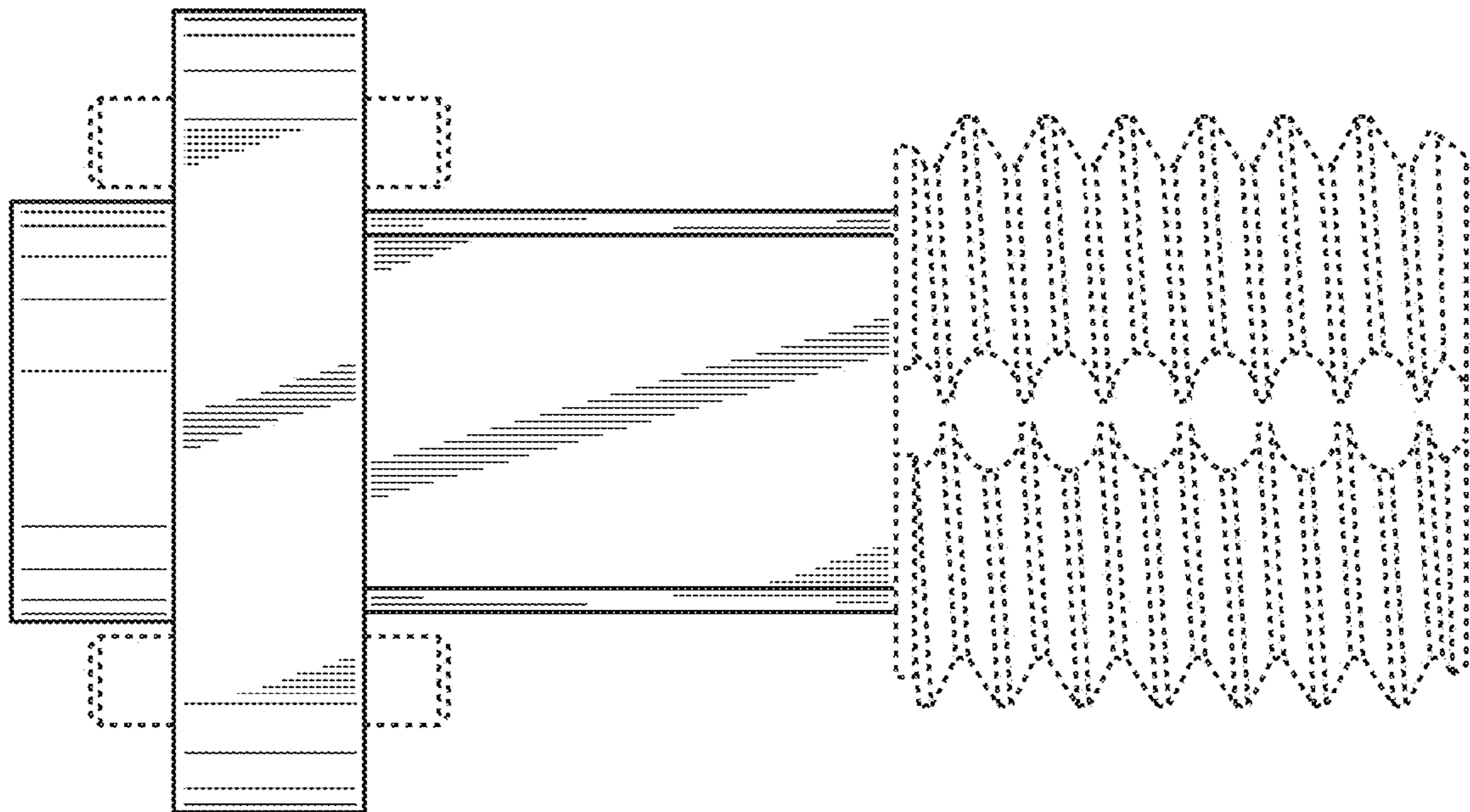


FIG. 5

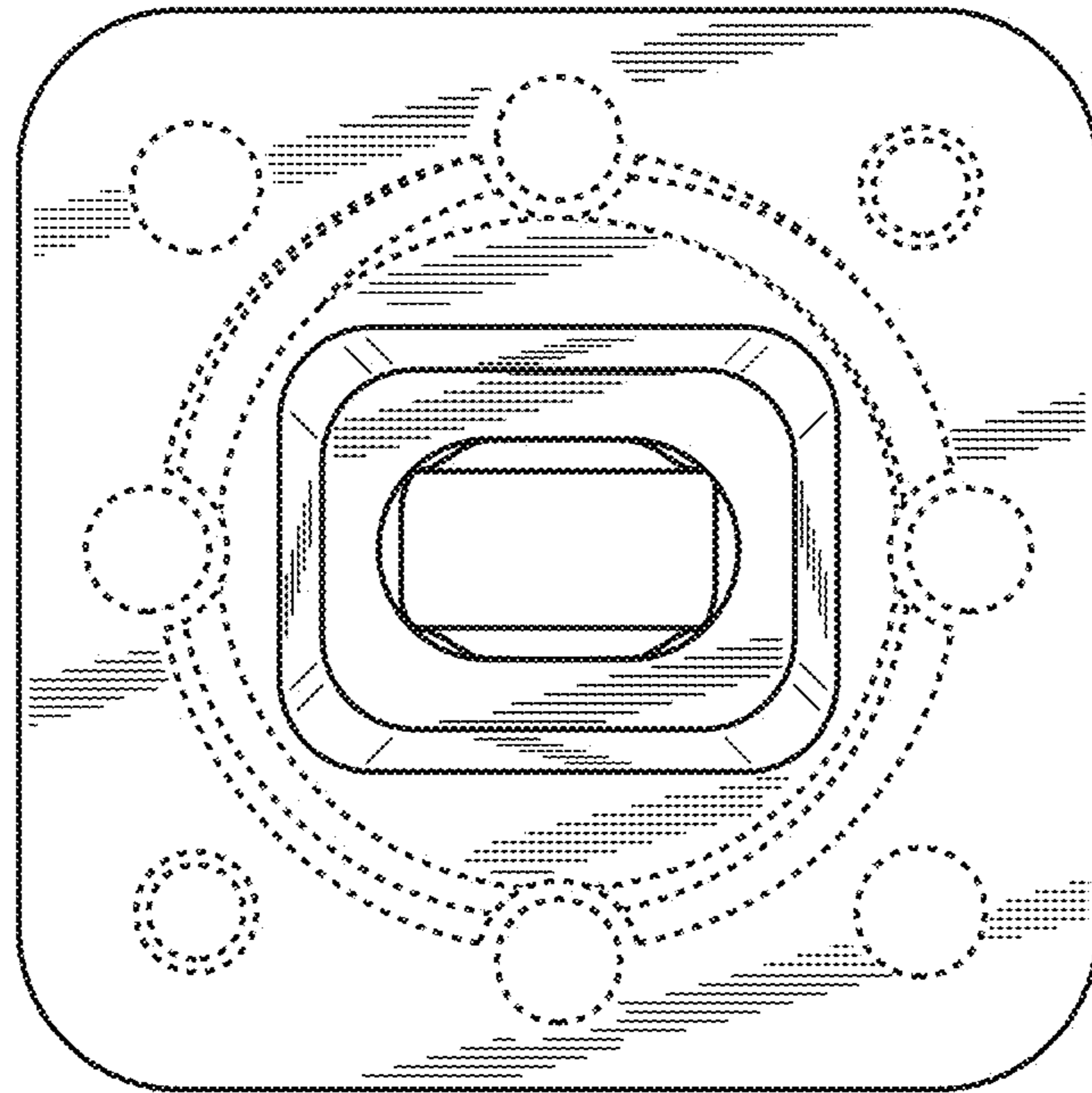


FIG. 7

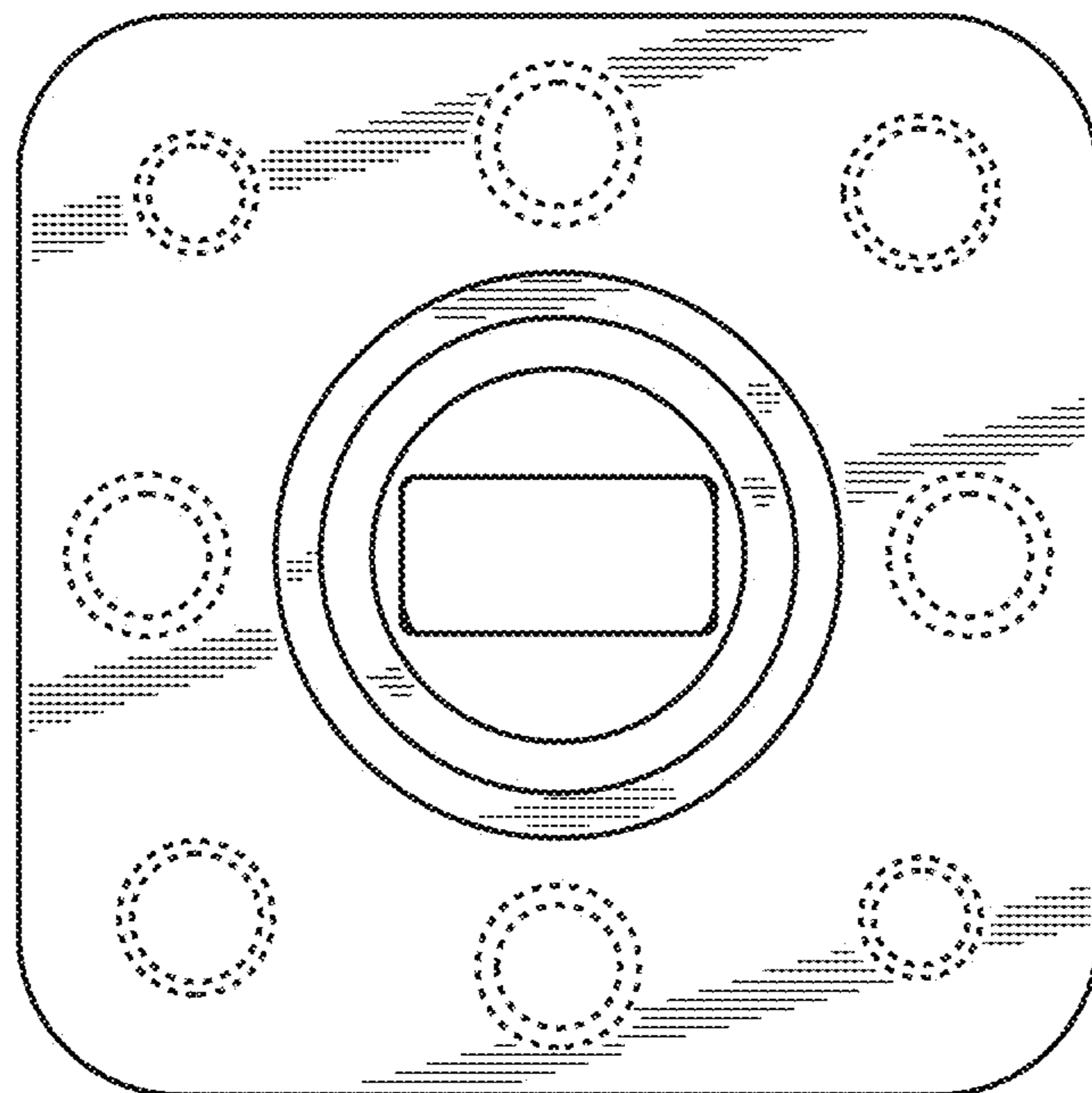


FIG. 8