



US00D978084S

(12) **United States Design Patent**  
**Liang**

(10) **Patent No.:** **US D978,084 S**

(45) **Date of Patent:** **\*\* Feb. 14, 2023**

(54) **CAR CHARGER**

(71) Applicant: **Zhejiang Desuoer Health Technology Co., Ltd., Ningbo (CN)**

(72) Inventor: **Mingyong Liang, Ningbo (CN)**

(73) Assignee: **Zhejiang Desuoer Health Technology Co., Ltd., Ningbo (CN)**

(\*\*) Term: **15 Years**

(21) Appl. No.: **29/830,007**

(22) Filed: **Mar. 9, 2022**

(30) **Foreign Application Priority Data**

Dec. 31, 2021 (CN) ..... 202130881812.2

(51) **LOC (14) Cl.** ..... **13-03**

(52) **U.S. Cl.**  
USPC ..... **D13/144; D13/108**

(58) **Field of Classification Search**  
USPC ..... D13/103, 107, 108, 118, 119, 144, 183;  
D14/155, 217, 224, 240, 251, 253, 432,  
D14/433, 434, 439, 447  
CPC ..... H02J 7/0049; H02J 50/05; H02J 7/0027;  
H04M 1/06  
See application file for complete search history.

(56) **References Cited**

**U.S. PATENT DOCUMENTS**

- 5,490,213 A \* 2/1996 Huang ..... H04M 1/6075  
379/426
- D433,379 S \* 11/2000 Jokinen ..... D13/107
- D548,719 S \* 8/2007 Dayan ..... D14/155
- 7,500,881 B1 \* 3/2009 Lin ..... H01R 31/02  
439/668
- D592,598 S \* 5/2009 Kettula ..... D13/108
- D620,441 S \* 7/2010 Hou ..... D13/144

- D625,266 S 10/2010 Bau
- D643,366 S \* 8/2011 Lu ..... D13/108
- D652,802 S \* 1/2012 Dong ..... D13/144
- D655,247 S \* 3/2012 Fitch ..... D13/144
- D802,536 S \* 11/2017 Shang ..... D13/144
- D807,299 S 1/2018 Uggla et al.
- D812,033 S \* 3/2018 Yin ..... D14/155
- D929,957 S \* 9/2021 Ba ..... D14/155
- 2008/0015717 A1 \* 1/2008 Griffin ..... H02J 7/0042  
455/66.1

**OTHER PUBLICATIONS**

“Anker Roav SmartCharge”. Found online Jul. 25, 2022 at amazon.com. Reference dated Oct. 16, 2017. Retrieved from [https://www.amazon.com/dp/B0719SNR5N?ref\\_ams\\_ad\\_dp\\_ttl](https://www.amazon.com/dp/B0719SNR5N?ref_ams_ad_dp_ttl). (Year: 2021).\*

(Continued)

*Primary Examiner* — Kendra Leslie Hamilton

*Assistant Examiner* — Amanda Christensen

(74) *Attorney, Agent, or Firm* — Georgi Korobanov

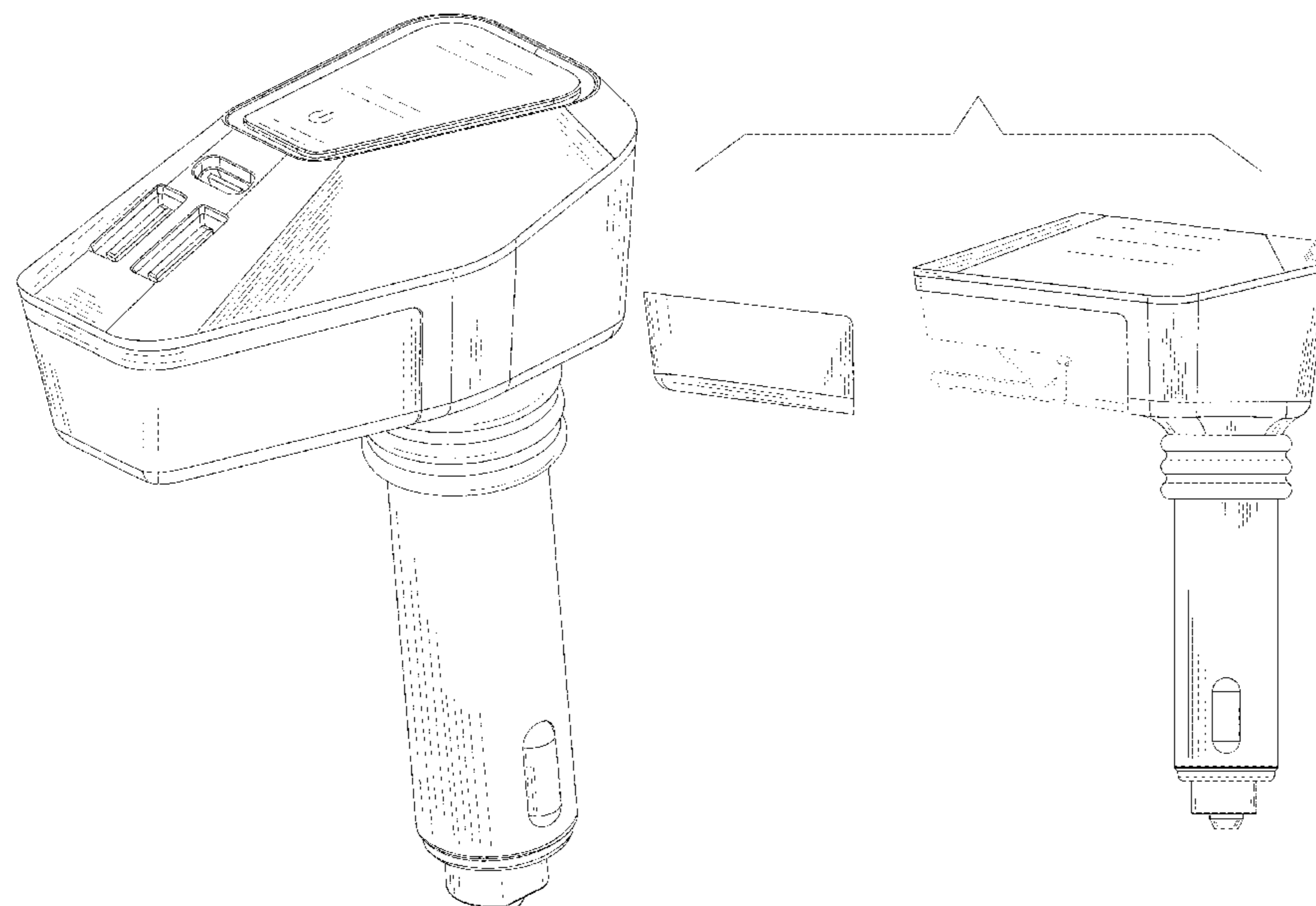
(57) **CLAIM**

The ornamental design for a car charger, as shown and described.

**DESCRIPTION**

FIG. 1 is a perspective view of a car charger, showing my new design;  
 FIG. 2 is a front view thereof;  
 FIG. 3 is a rear view thereof;  
 FIG. 4 is a left side view thereof;  
 FIG. 5 is a right side view thereof;  
 FIG. 6 is a top plan view thereof;  
 FIG. 7 is a bottom plan view thereof; and,  
 FIG. 8 is a perspective view of the design in a detached status.  
 The broken lines in the drawings depict portions of the car charger that form no part of the claimed design.

**1 Claim, 8 Drawing Sheets**



(56)

**References Cited**

OTHER PUBLICATIONS

“Bluetooth FM Modulator”. Found online Mar. 9, 2020 at cesdeals.com. Reference dated May 20, 2019. Retrieved from <https://www.cesdeals.com/product/m9-wireless-bluetooth-fm-modulator-handsfree-LCD-mp3-player-car-usb-charger-322012>. (Year: 2019).\*

“Criacr Bluetooth FM Transmitter for Car”. Found online Feb. 26, 2021 at amazon.com. Reference dated Mar. 10, 2017. Retrieved from [https://www.amazon.com/gp/product/B06XJ1YZSH/ref=as\\_li\\_qf\\_sp\\_asin\\_il\\_tl?th=1](https://www.amazon.com/gp/product/B06XJ1YZSH/ref=as_li_qf_sp_asin_il_tl?th=1). (Year: 2017).\*

\* cited by examiner

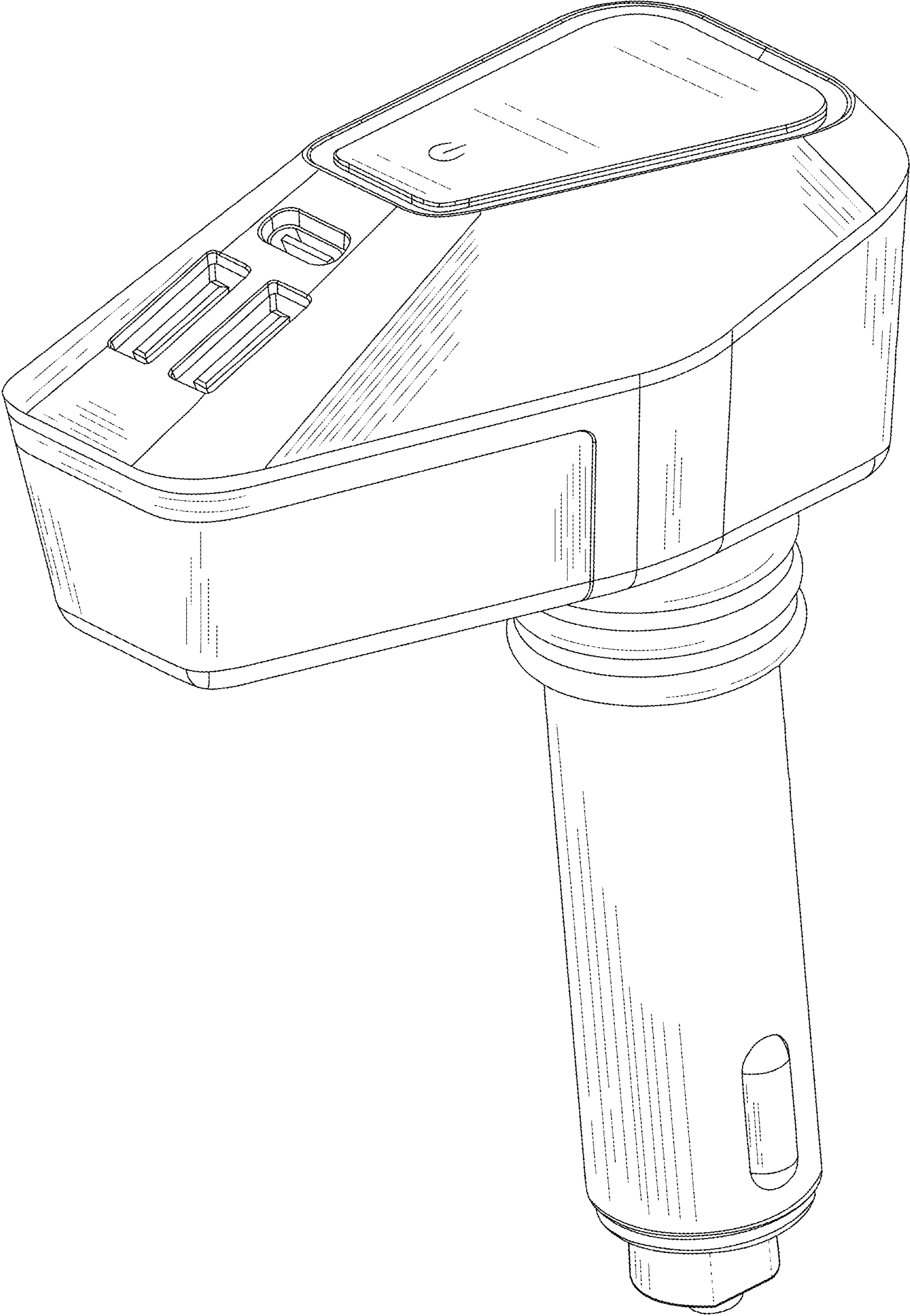


FIG. 1

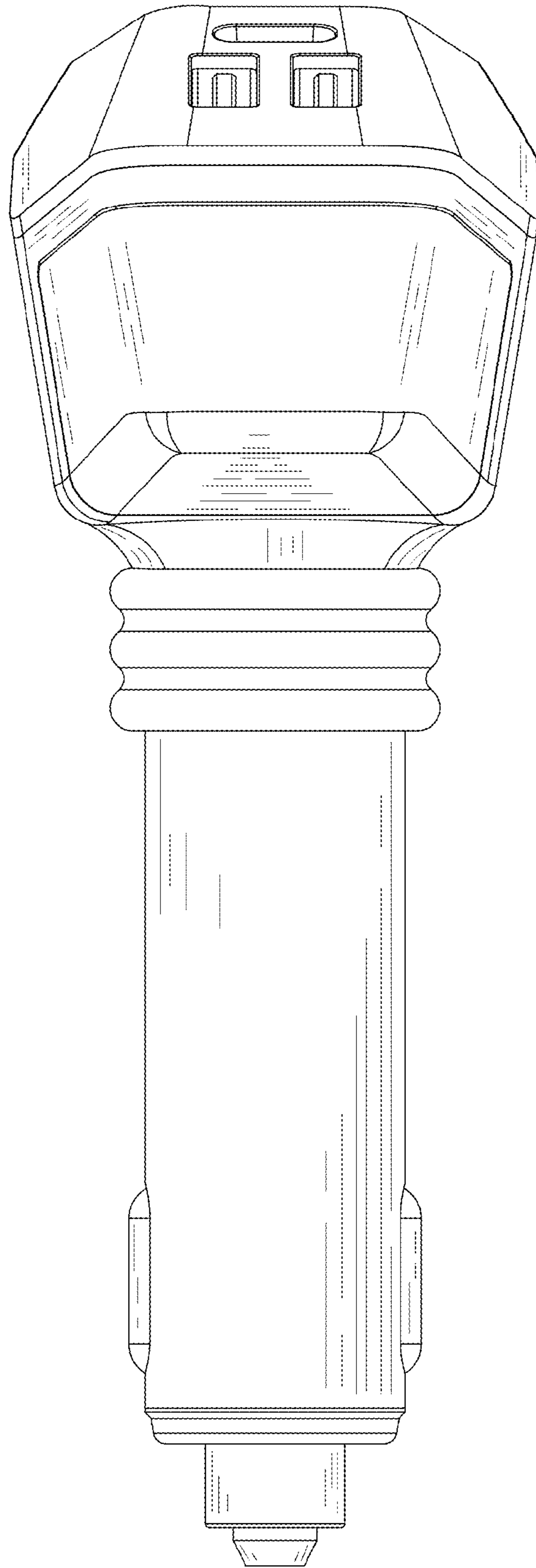


FIG. 2

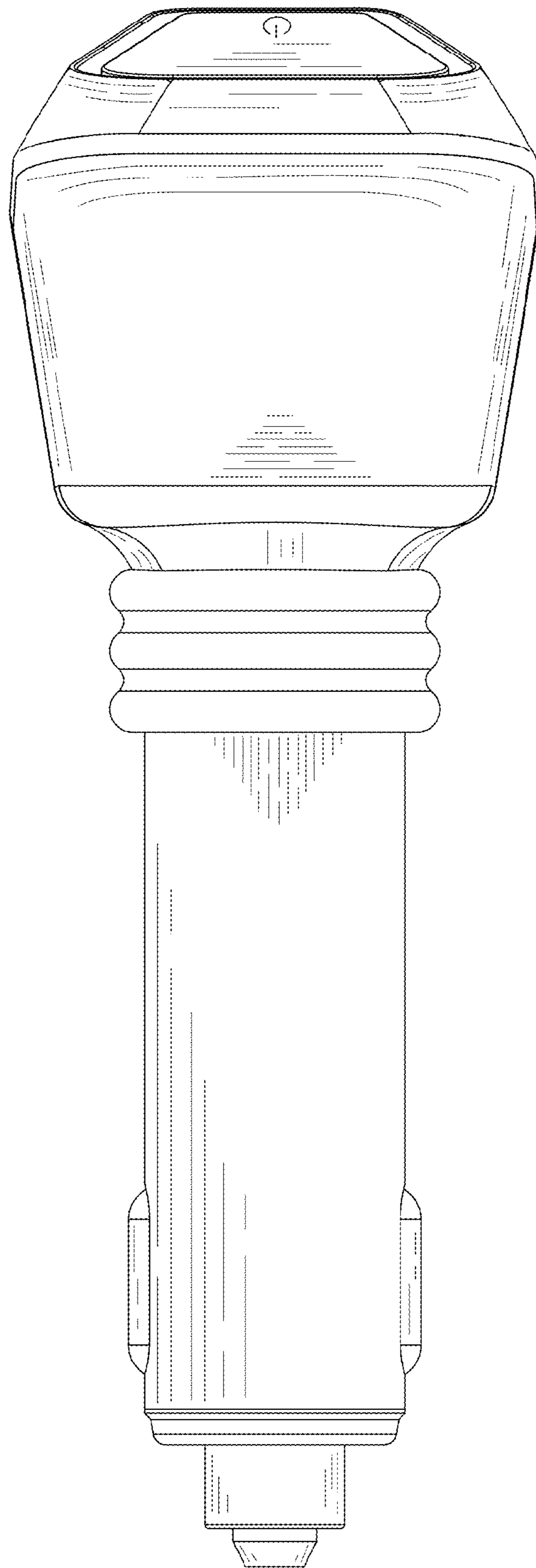


FIG. 3

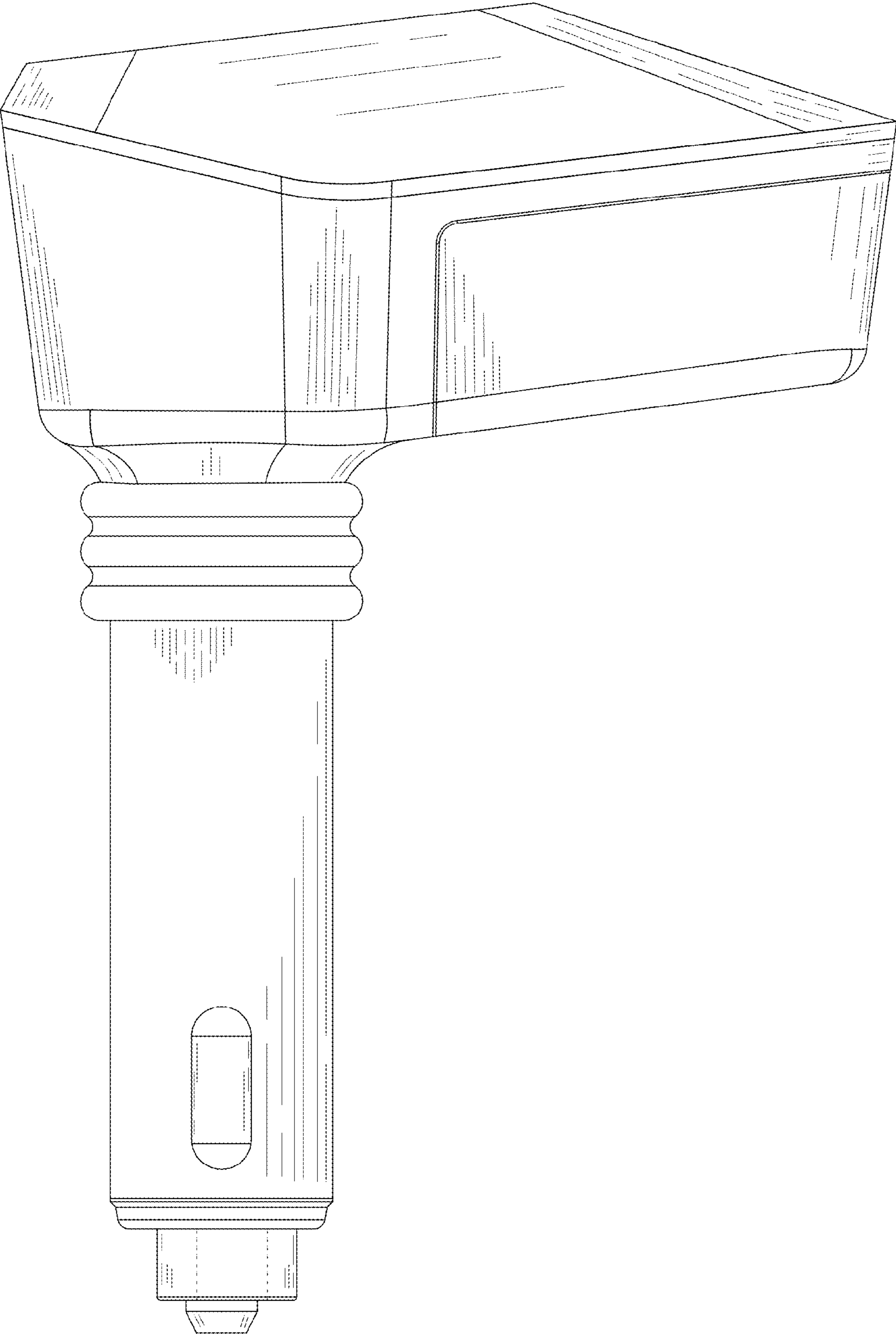


FIG. 4

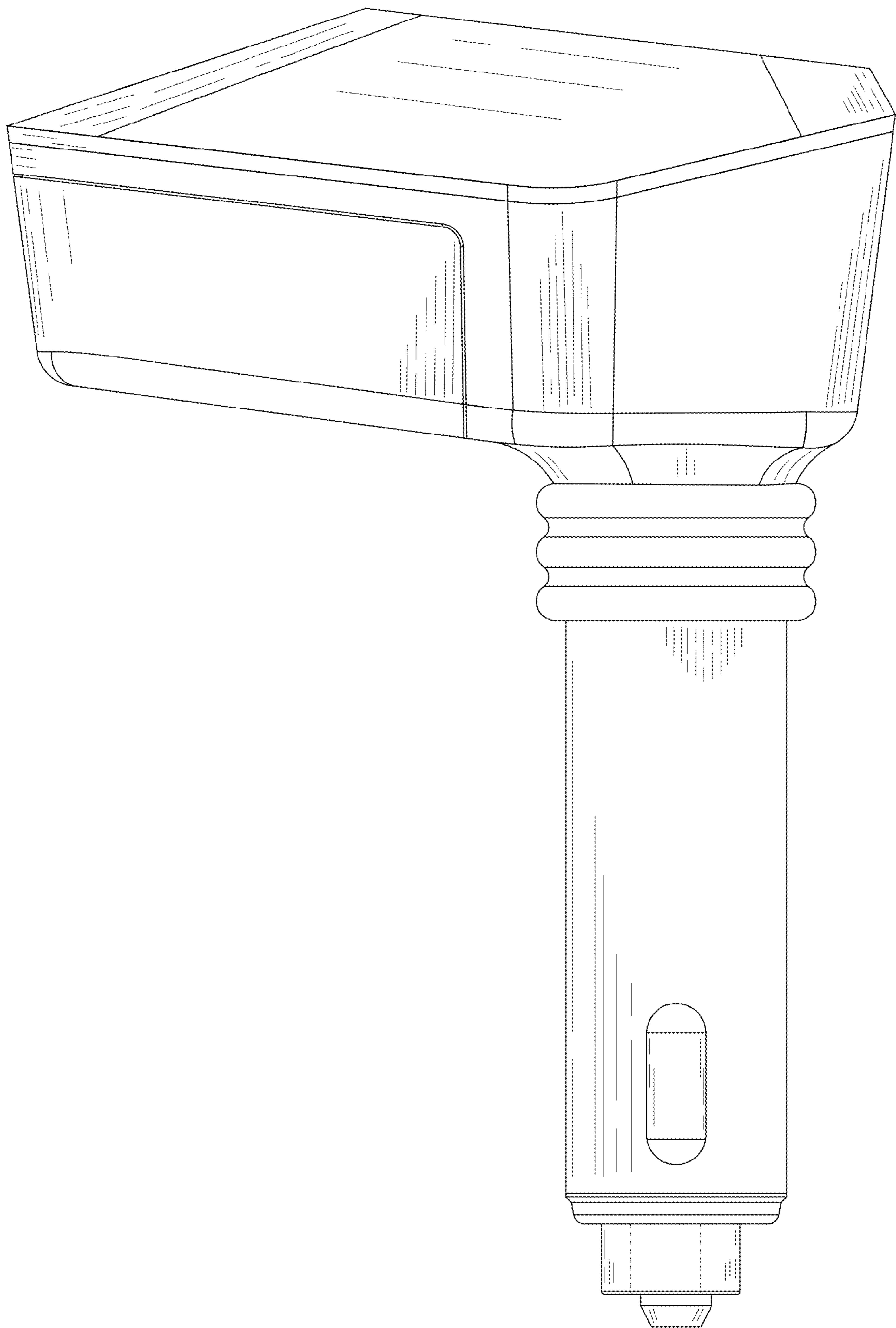


FIG. 5

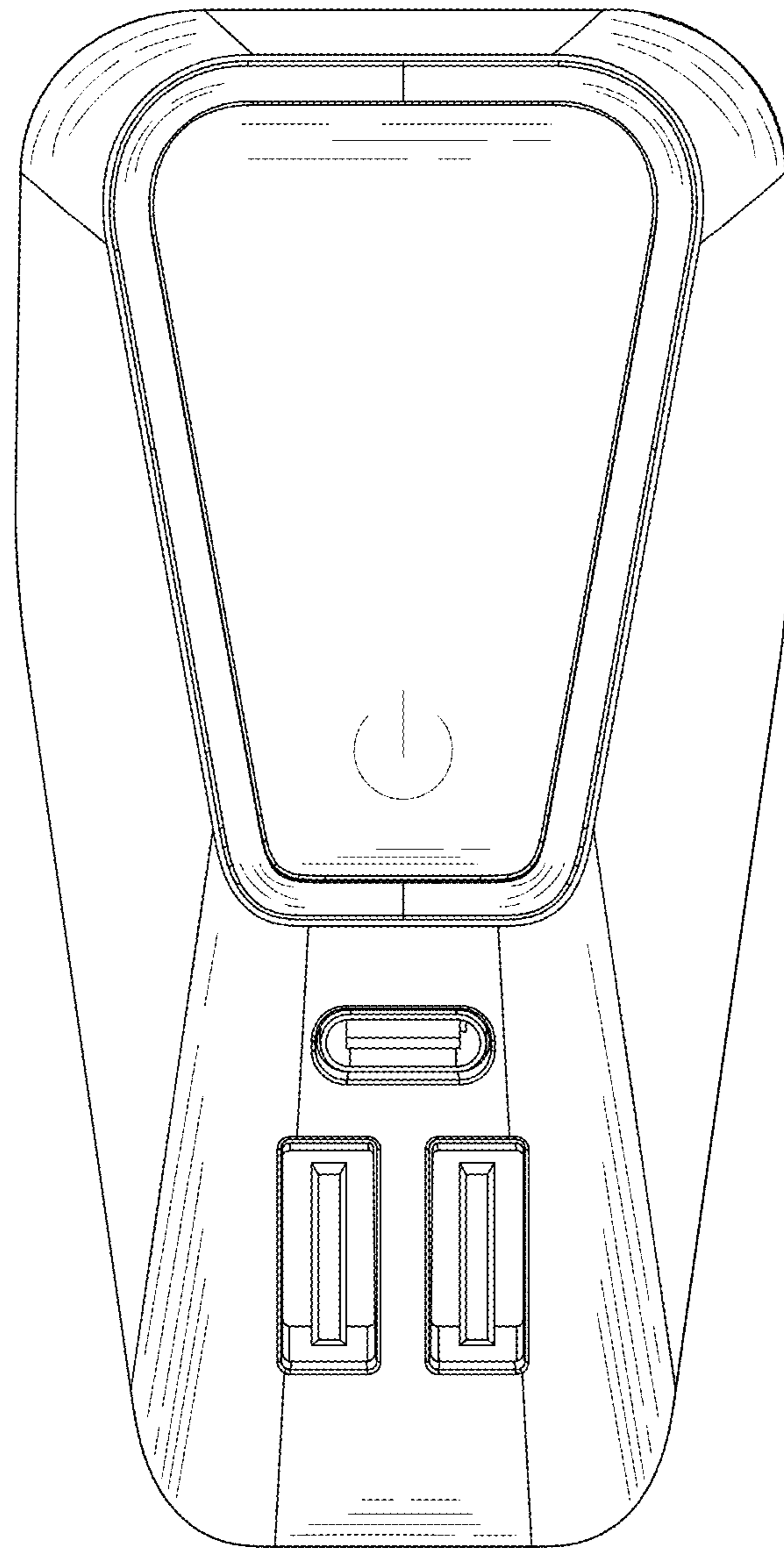


FIG. 6



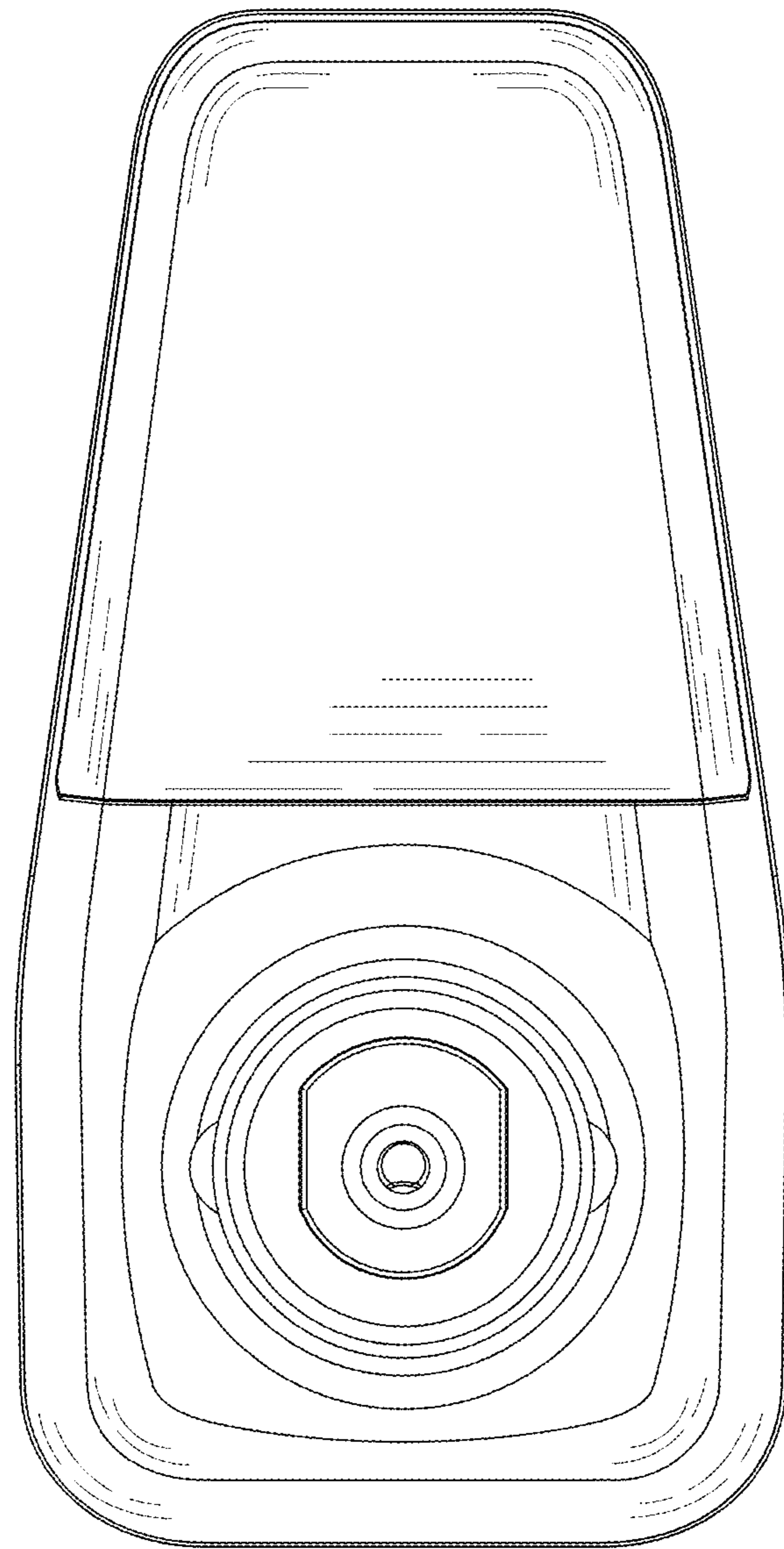


FIG. 7

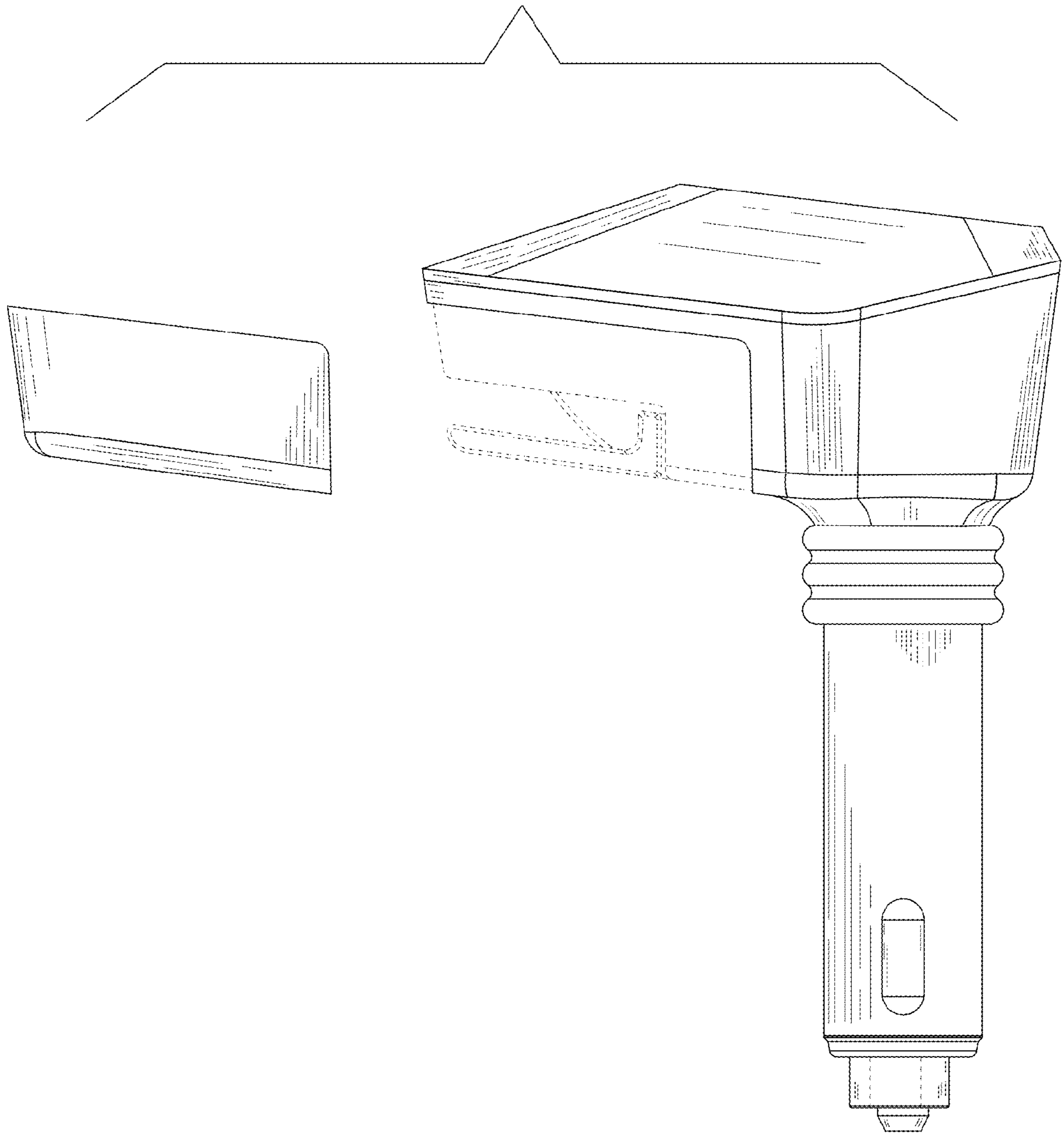


FIG. 8