



US00D978083S

(12) **United States Design Patent**
Hurtado

(10) **Patent No.:** **US D978,083 S**

(45) **Date of Patent:** **** Feb. 14, 2023**

(54) **ELECTRICAL RECEPTACLE WITH ASSOCIATED SCREW-ON CONNECTOR RING**

(71) Applicant: **SMARTPLUG SYSTEMS, LLC**,
Seattle, WA (US)

(72) Inventor: **Teofilo W. Hurtado**, Seattle, WA (US)

(73) Assignee: **Smartplug Systems, LLC**, Seattle, WA (US)

(**) Term: **15 Years**

(21) Appl. No.: **29/722,628**

(22) Filed: **Jan. 31, 2020**

(51) **LOC (14) Cl.** **13-03**

(52) **U.S. Cl.**
USPC **D13/139.1**

(58) **Field of Classification Search**

USPC ... D13/110, 133, 137.1, 137.2, 137.3, 137.4, D13/138.1, 138.2, 139.1, 139.2, 139.3, D13/139.4, 139.5, 139.6, 139.7, 139.8, D13/152, 199; D14/433; D8/350, 353
CPC H01R 35/04; H01R 2103/00; H01R 31/06; H01R 31/005; H01R 2201/06; H01R 13/665; H01R 13/7135; H01R 13/652; H01R 13/506; H01R 13/514; H01R 13/518; H01R 13/6272; H01R 13/46; G06F 13/4022; G06F 13/382; G06F 1/1632; G06F 1/1684; G06F 1/20; G06F 1/1607; H02G 3/088; H02J 7/00043; H02J 7/0021; H02J 7/0026; H02J 7/0027; H02J 7/0045

See application file for complete search history.

(56) **References Cited**

U.S. PATENT DOCUMENTS

2,051,702 A * 8/1936 Gueffroy H01R 13/15
439/687
D816,888 S * 5/2018 Benner D26/113

D818,963 S * 5/2018 Little D13/137.2
D840,584 S * 2/2019 Benner D26/113
D851,596 S * 6/2019 Koch D13/137.2
D857,976 S * 8/2019 Benner D26/113
D911,972 S * 3/2021 Ni D13/139.3
D913,242 S * 3/2021 Salas D13/133
D916,025 S * 4/2021 Kondas D13/139.3
D936,589 S * 11/2021 Salas D13/133
D936,590 S * 11/2021 Salas D13/133
D936,593 S * 11/2021 Salas D13/139.3
D936,594 S * 11/2021 Salas D13/139.3
D936,595 S * 11/2021 Salas D13/139.3
D936,596 S * 11/2021 Salas D13/139.3
D936,597 S * 11/2021 Salas D13/139.3
D936,598 S * 11/2021 Salas D13/139.3

(Continued)

Primary Examiner — Rosemary K Tarcza

Assistant Examiner — Seth David Kumpf

(74) *Attorney, Agent, or Firm* — Clark A. Puntigam;
Jensen & Puntigam, P.S.

(57) **CLAIM**

I claim the ornamental design for an electrical receptacle with associated screw-on connector ring, as shown and described.

DESCRIPTION

FIG. 1 is a front view perspective of the electrical receptacle with associated screw-on connector ring showing my new design.

FIG. 2 is a rear perspective view thereof.

FIG. 3 is a top view thereof.

FIG. 4 is a bottom view thereof.

FIG. 5 is a front view thereof.

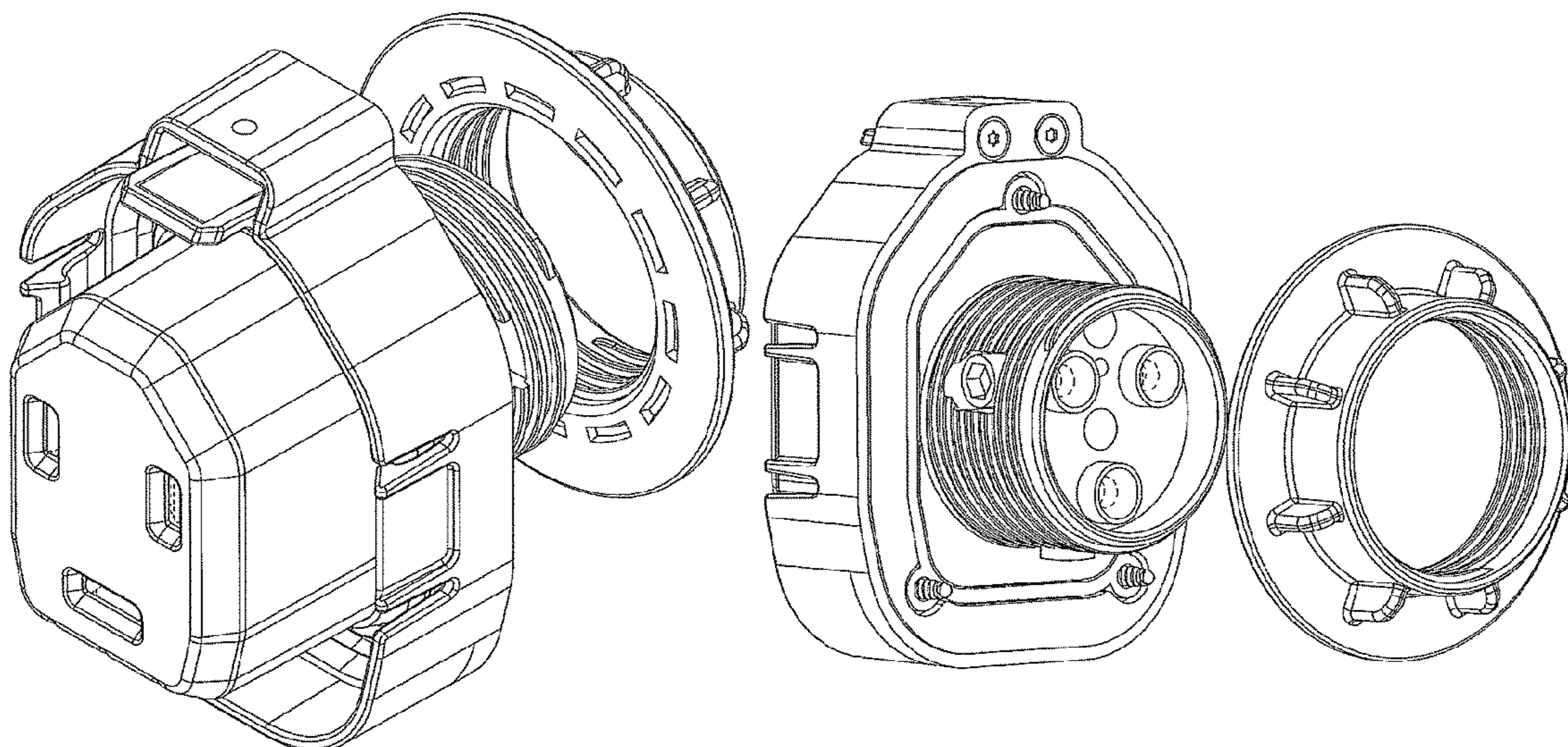
FIG. 6 is a rear view thereof.

FIG. 7 is a right side view thereof; and,

FIG. 8 is a left side view thereof.

The broken lines in the drawings are for the purpose of illustrating portions of the electrical receptacle that form no part of the claimed design and are hence disclaimed.

1 Claim, 8 Drawing Sheets



(56)

References Cited

U.S. PATENT DOCUMENTS

| | | | | | | |
|----------|---|---|---------|-------|-------|-----------|
| D936,599 | S | * | 11/2021 | Salas | | D13/139.3 |
| D936,600 | S | * | 11/2021 | Salas | | D13/139.3 |
| D938,361 | S | * | 12/2021 | Chang | | D13/137.2 |
| D938,913 | S | * | 12/2021 | Salas | | D13/133 |
| D938,914 | S | * | 12/2021 | Salas | | D13/133 |

* cited by examiner

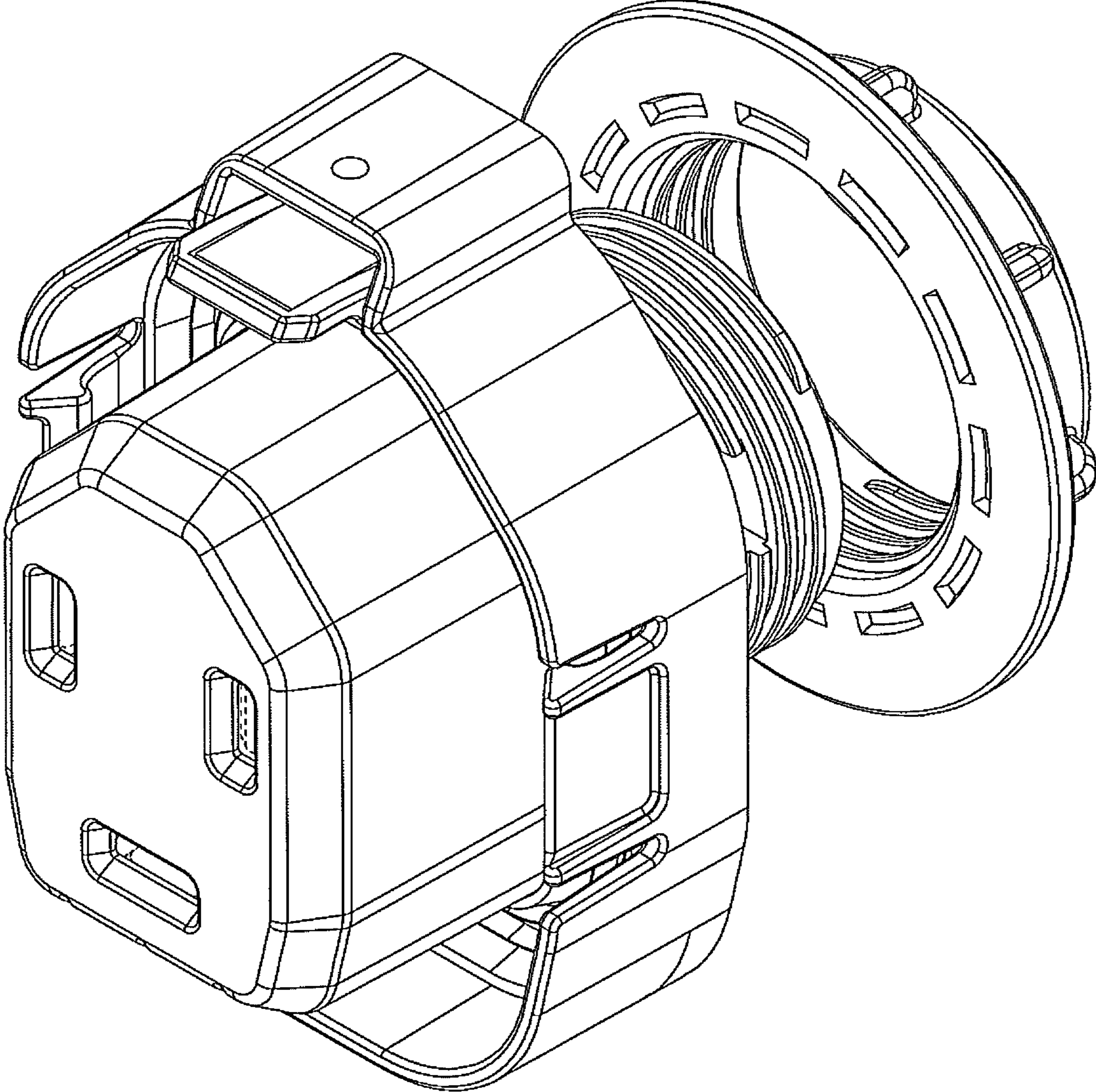


FIG. 1

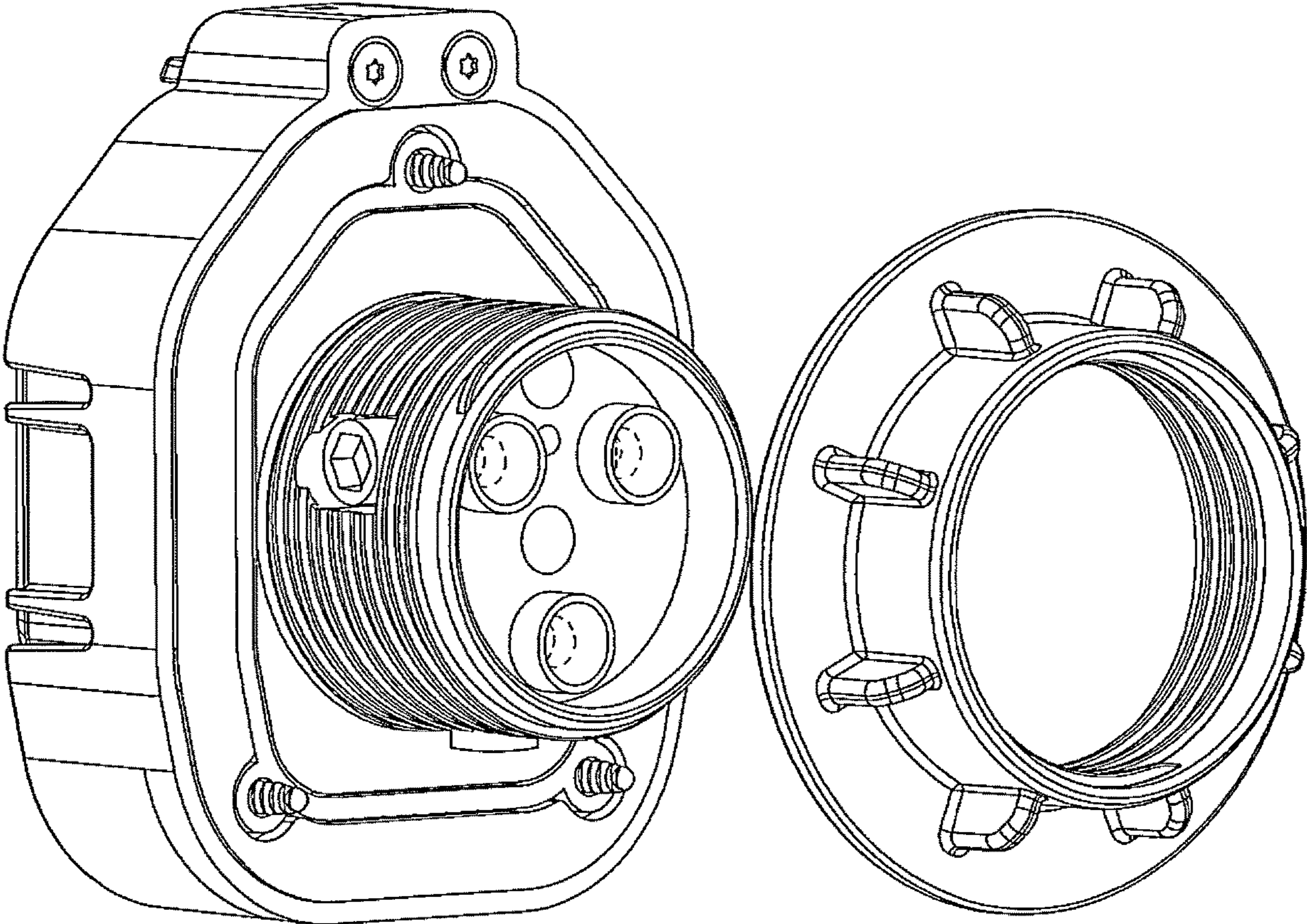


FIG. 2

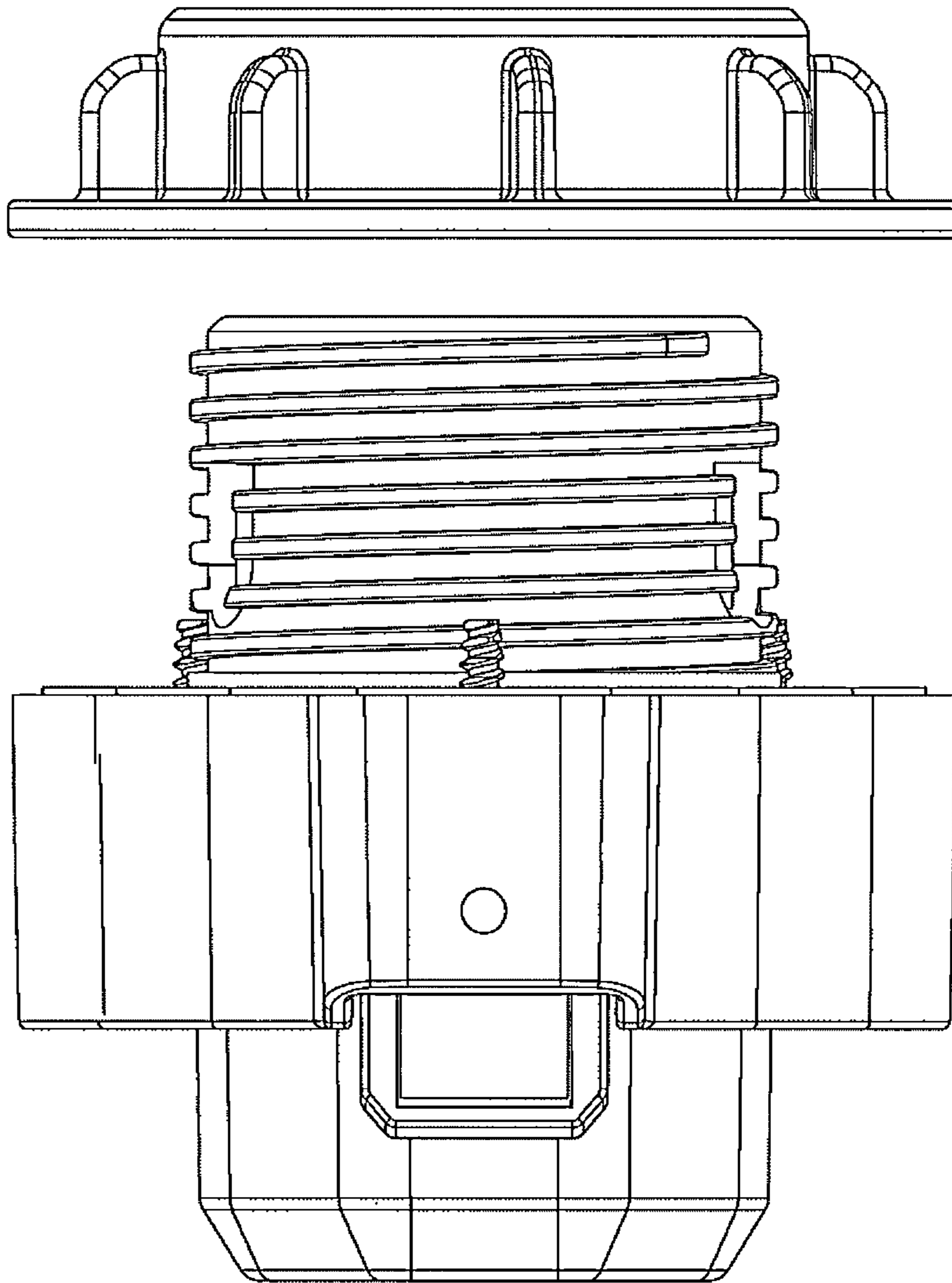


FIG. 3

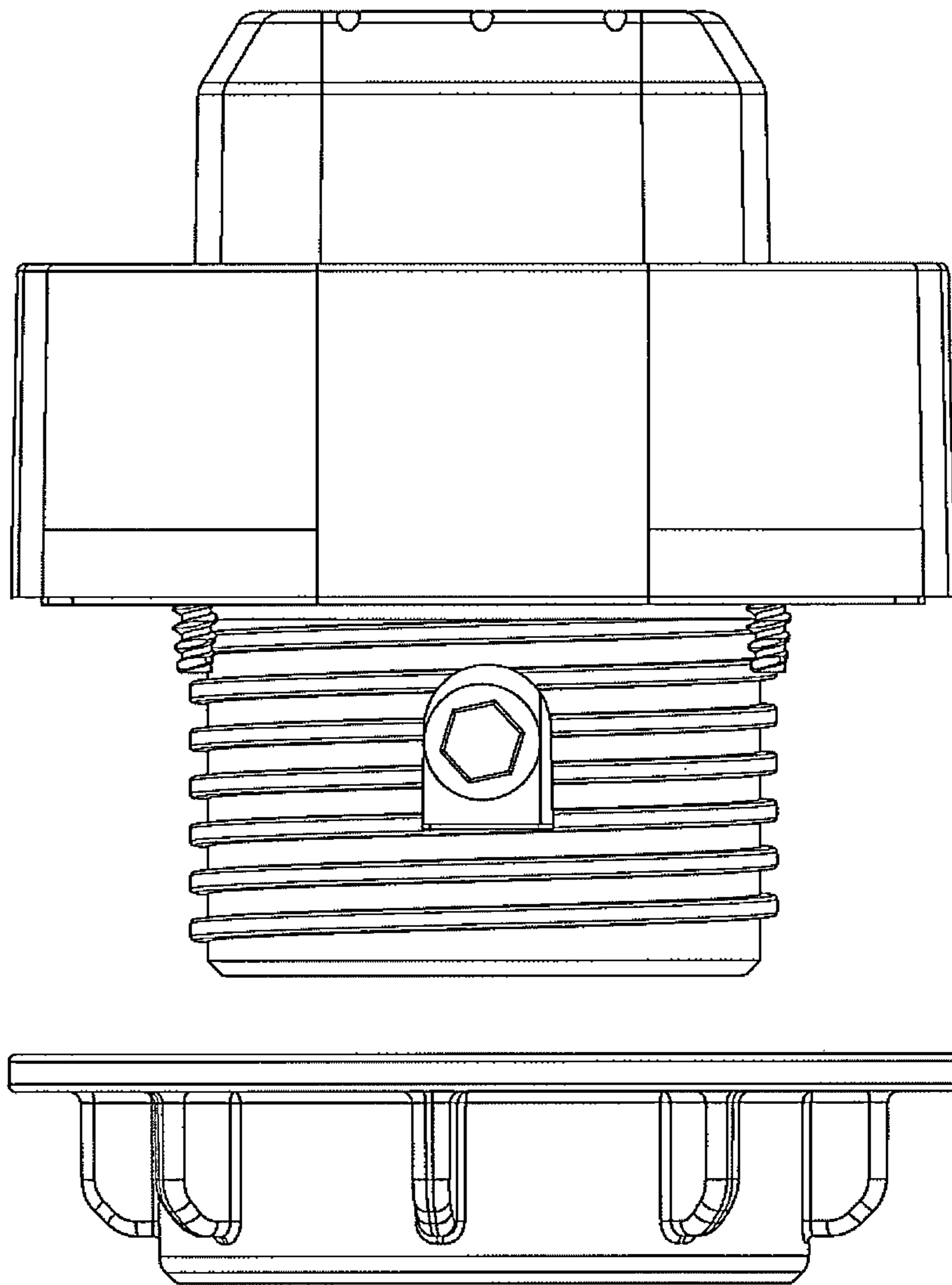


FIG. 4

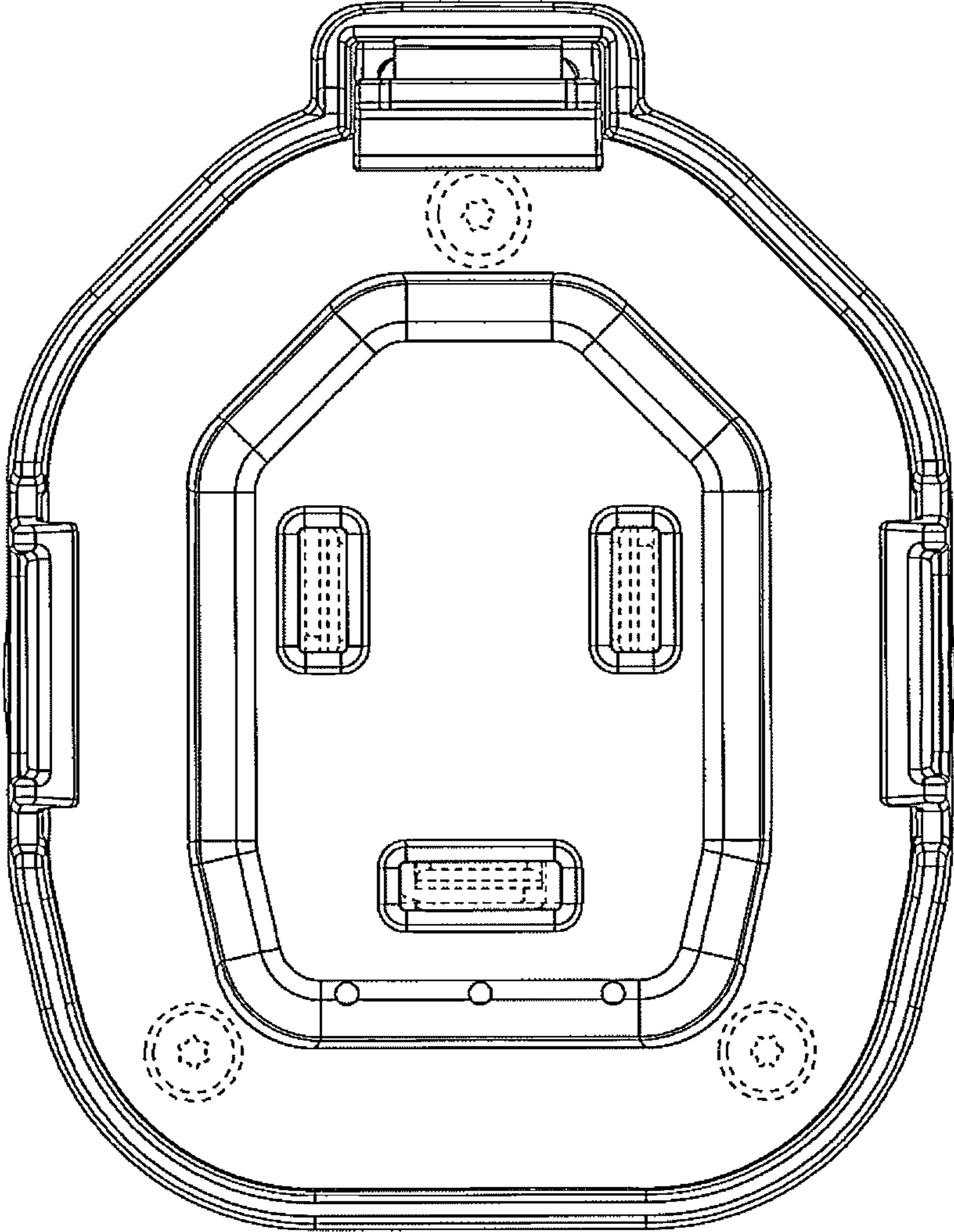


FIG. 5

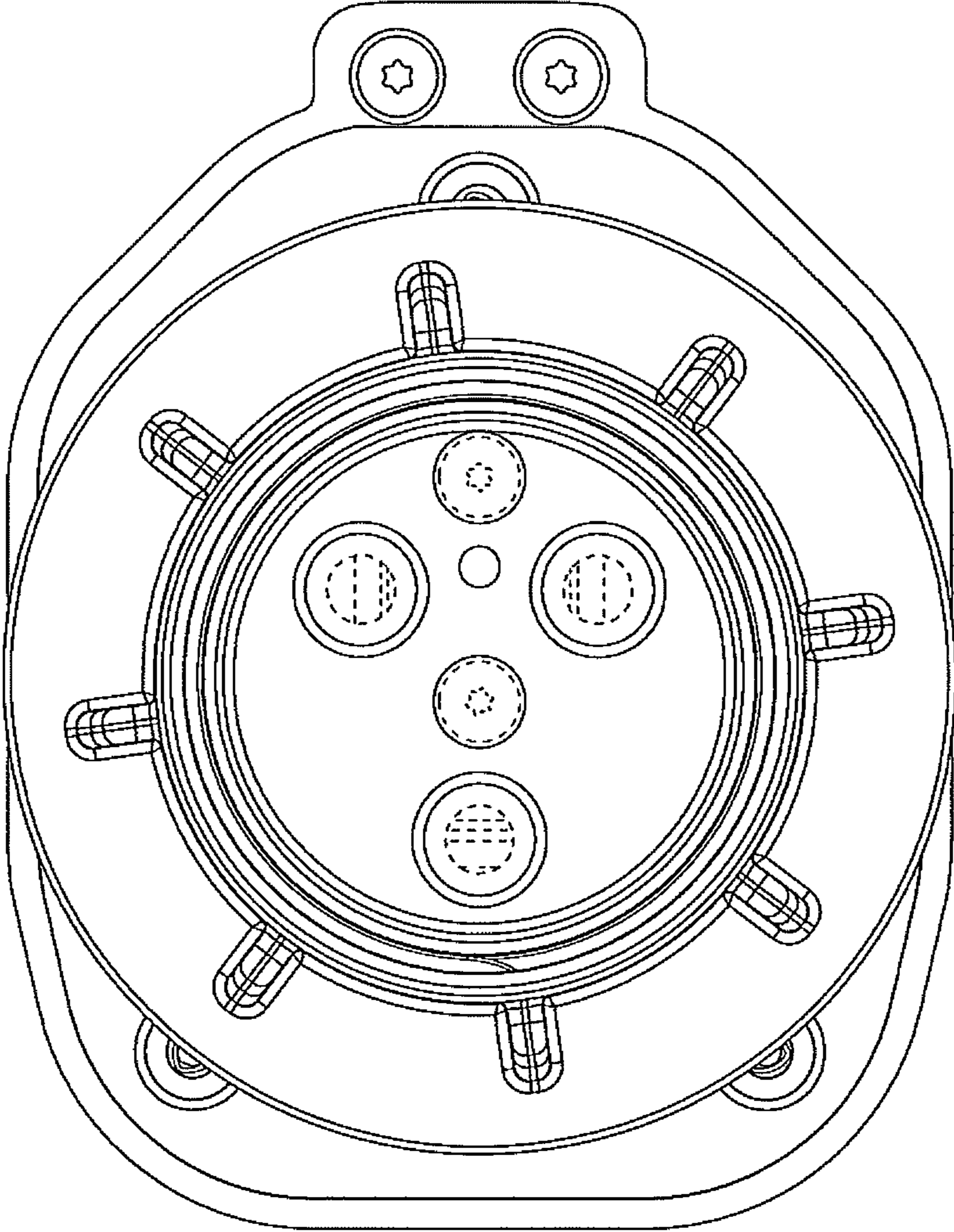


FIG. 6

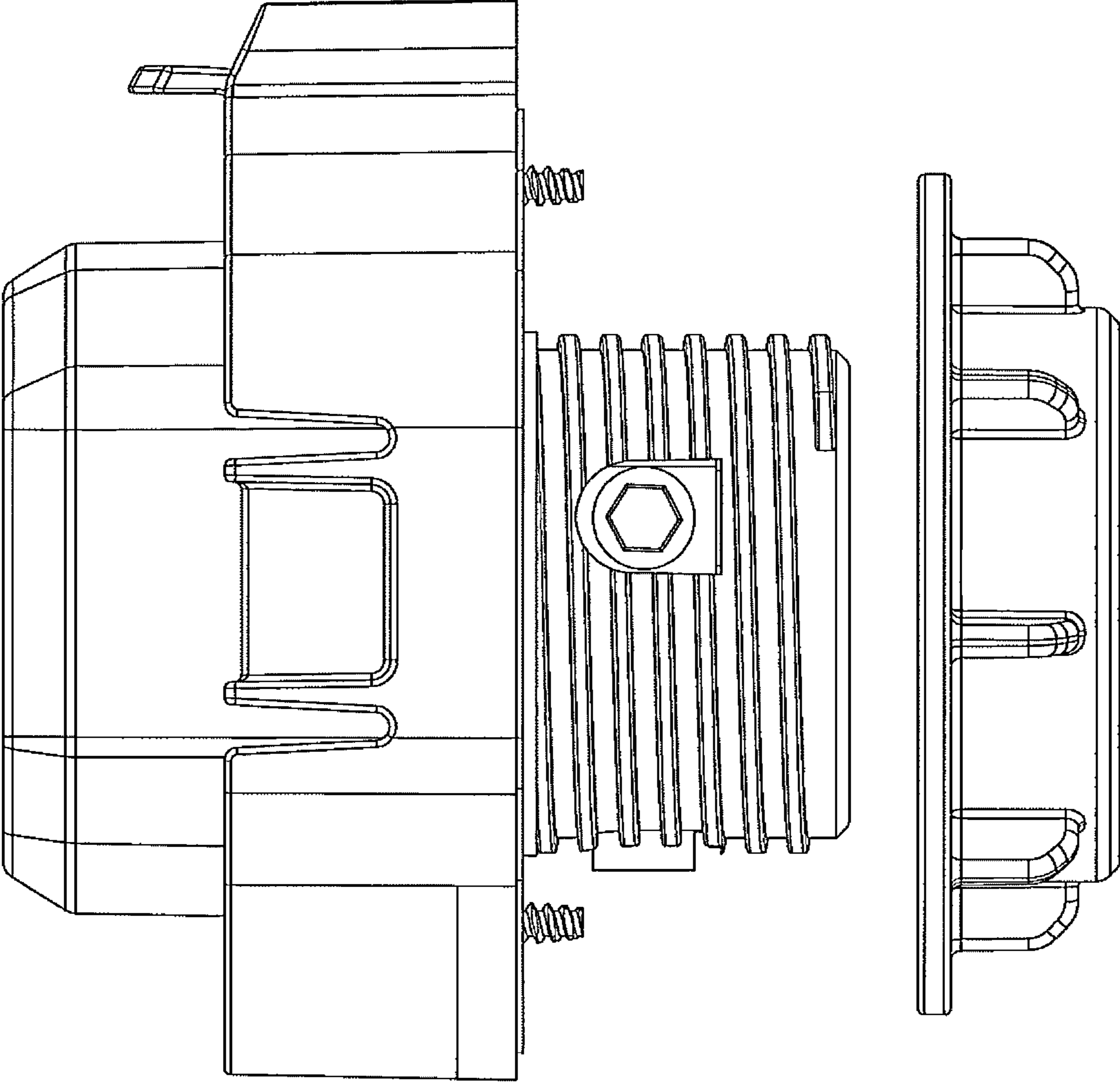


FIG. 7

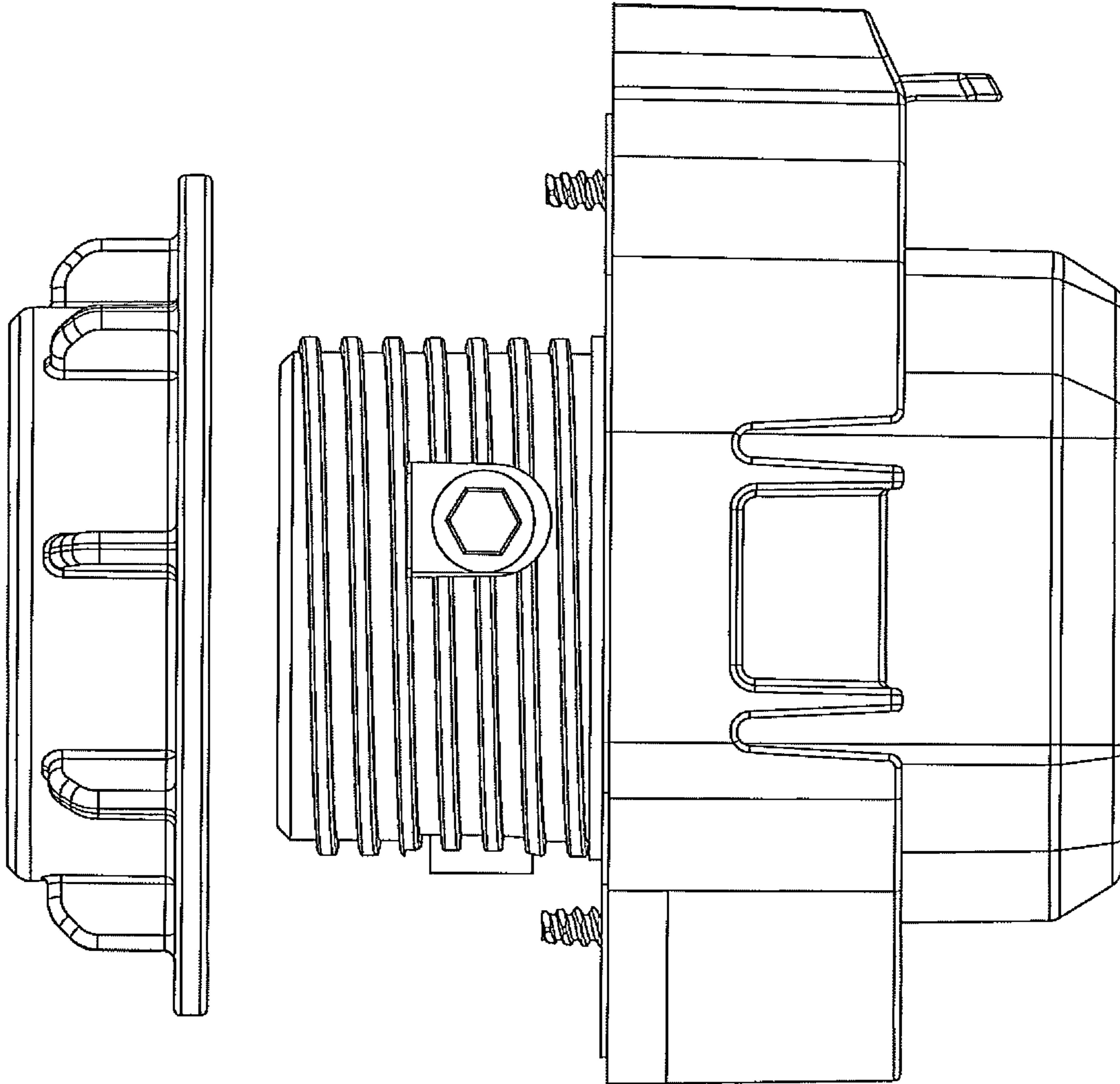


FIG. 8