



US00D978081S

(12) **United States Design Patent** (10) **Patent No.:** **US D978,081 S**
Kuhn et al. (45) **Date of Patent:** **** Feb. 14, 2023**

(54) **ENCLOSURE**

(71) Applicant: **SUNPOWER CORPORATION**, San Jose, CA (US)

(72) Inventors: **Brian Kuhn**, Austin, TX (US); **William J. Morris**, Round Rock, TX (US); **Daidipya J. Patwa**, San Francisco, CA (US); **Sandeep Narla**, Newark, CA (US)

(73) Assignee: **Sunpower Corporation**, San Jose, CA (US)

(**) Term: **15 Years**

(21) Appl. No.: **29/768,274**

(22) Filed: **Jan. 28, 2021**

Related U.S. Application Data

(63) Continuation of application No. 29/706,559, filed on Sep. 20, 2019, now Pat. No. Des. 909,974.

(51) **LOC (14) Cl.** **13-03**

(52) **U.S. Cl.**
USPC **D13/122**

(58) **Field of Classification Search**
USPC D6/703; D13/102, 103, 107, 110, 112, D13/114, 117, 118, 119, 122, 123, 184, D13/199; D14/441; D25/48.3
CPC E06B 3/988; E06B 3/9684
See application file for complete search history.

(56) **References Cited**

U.S. PATENT DOCUMENTS

D222,139 S * 10/1971 Jaeschke D13/184
D286,633 S * 11/1986 Pauser D14/299
5,403,679 A * 4/1995 Stone H01M 50/20
429/100
D419,799 S * 2/2000 King D6/703
D440,788 S * 4/2001 Alexandersson D6/661

D537,664 S * 3/2007 Mehmen D6/703
D538,569 S * 3/2007 Jensen D6/703
D561,765 S * 2/2008 Jie D14/441
D589,518 S * 3/2009 Keith D14/441
D633,438 S * 3/2011 Sedberry D13/110
D644,991 S * 9/2011 Sedberry D13/110
D662,055 S * 6/2012 Little D13/122
D716,087 S * 10/2014 Black D6/703.2
D716,088 S * 10/2014 Black D6/703.2
D716,594 S * 11/2014 Black D6/703.2
D728,477 S * 5/2015 Meyer D13/107

(Continued)

OTHER PUBLICATIONS

Battery and Energy Storage Highlights at SPI 2019—World-Energy
<https://www.world-energy.org/article/2516.html> Sep. 27, 2019 (Year: 2019).*

(Continued)

Primary Examiner — Leanne Was-Englehart
(74) *Attorney, Agent, or Firm* — Sterne, Kessler, Goldstein & Fox P.L.L.C.

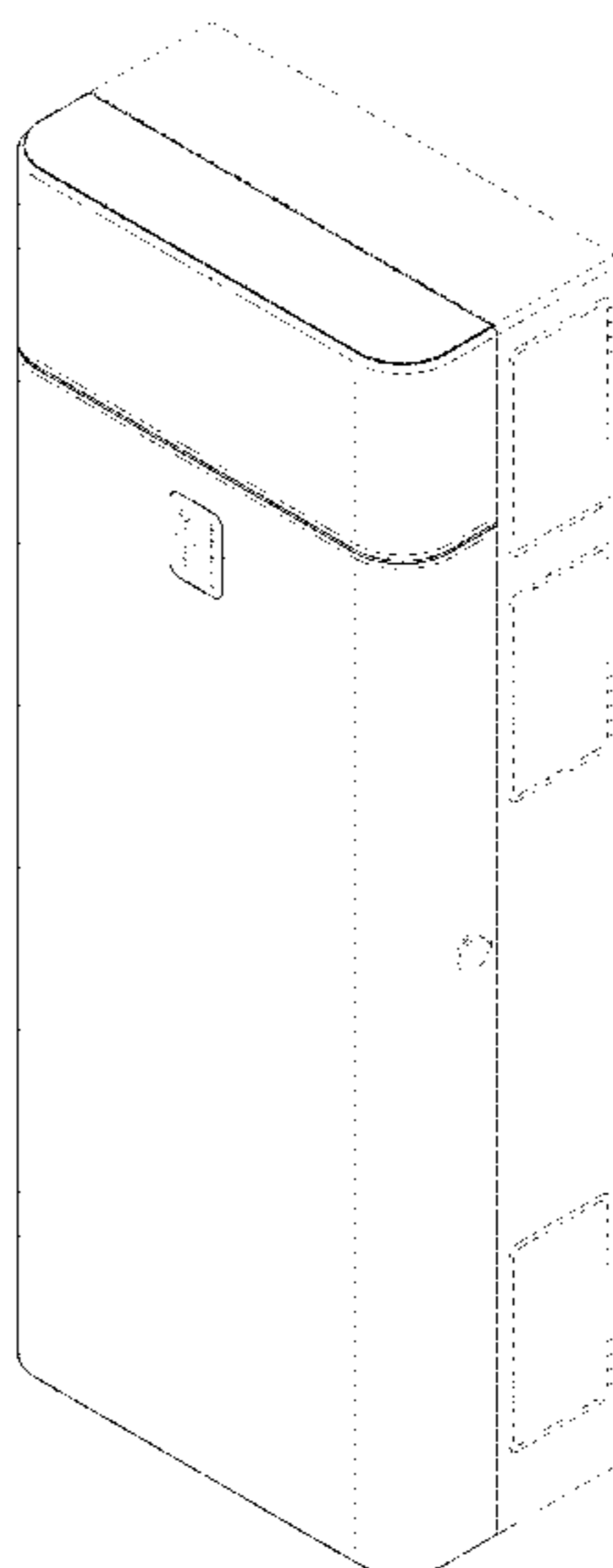
(57) **CLAIM**

The ornamental design for an enclosure, as shown and described.

DESCRIPTION

FIG. 1 is a top front perspective view of an enclosure showing the claimed design;
FIG. 2 is a top rear perspective view thereof;
FIG. 3 is a front view thereof;
FIG. 4 is a rear view thereof;
FIG. 5 is a left side view thereof;
FIG. 6 is a right side view thereof;
FIG. 7 is a top view thereof; and,
FIG. 8 is a bottom view thereof.
The broken lines in the figures show portions of the enclosure that form no part of the claimed design.

1 Claim, 6 Drawing Sheets



(56)

References Cited

U.S. PATENT DOCUMENTS

D729,727	S	*	5/2015	Lin	D13/103
D731,966	S	*	6/2015	Rabalais	D13/107
D779,858	S	*	2/2017	Conn	D6/669
D818,435	S	*	5/2018	Matthews	D13/122
D842,807	S	*	3/2019	Amasaki	D13/110
D844,845	S	*	4/2019	Fox	D6/703
D893,419	S	*	8/2020	Liao	D13/103
D909,974	S	*	2/2021	Kuhn	D13/122

OTHER PUBLICATIONS

SunPower launches its own residential battery system with Equinox Storage <https://www.solarpowerworldonline.com/2019/09/sunpower-launches-its-own-residential-battery-system-with-equinox-storage/> Sep. 18, 2019 (Year: 2019).*

Equinox-storage-product-brochure <https://us.sunpower.com/sites/default/files/sunvault-storage-product-brochure.pdf> Jul. 31, 2020 (Year: 2020).

Introducing Equinox Storage_ SunPower Solar Blog <https://us.sunpower.com/blog/2019/09/18/benefits-home-solar-storage-battery> Posted Sep. 18, 2019 (Year: 2019).

* cited by examiner

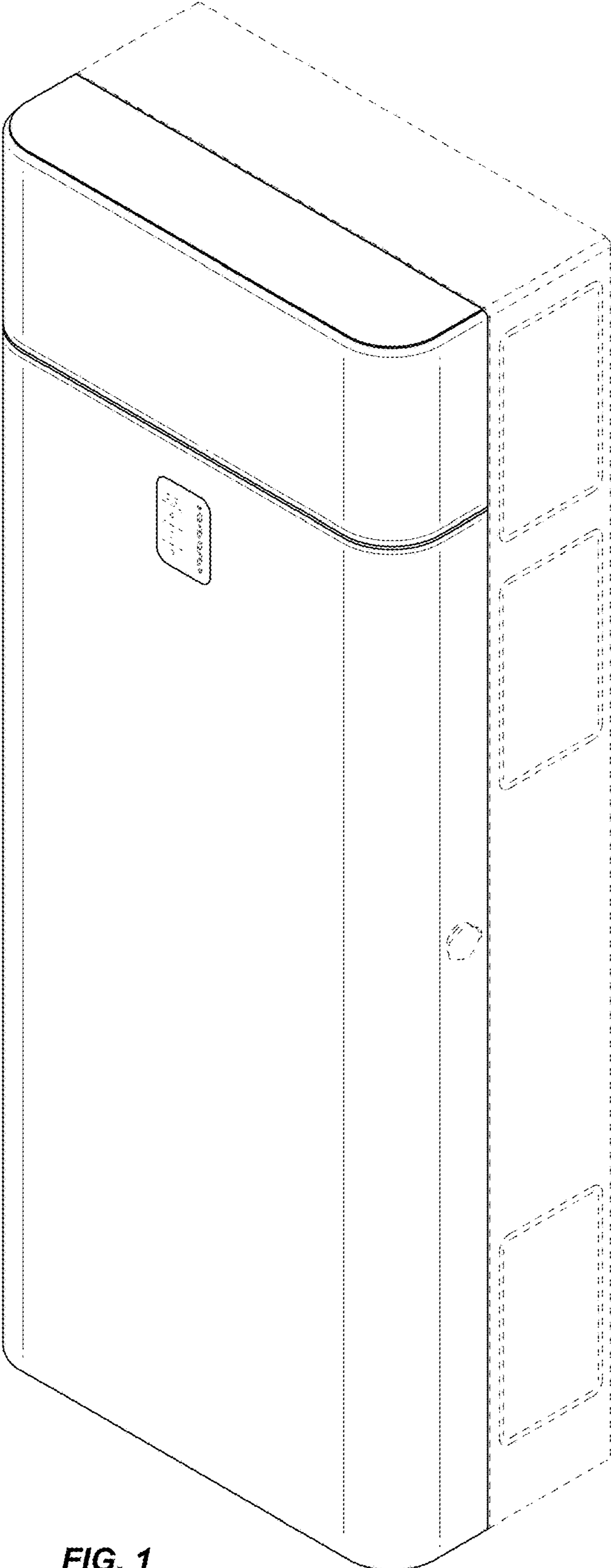


FIG. 1

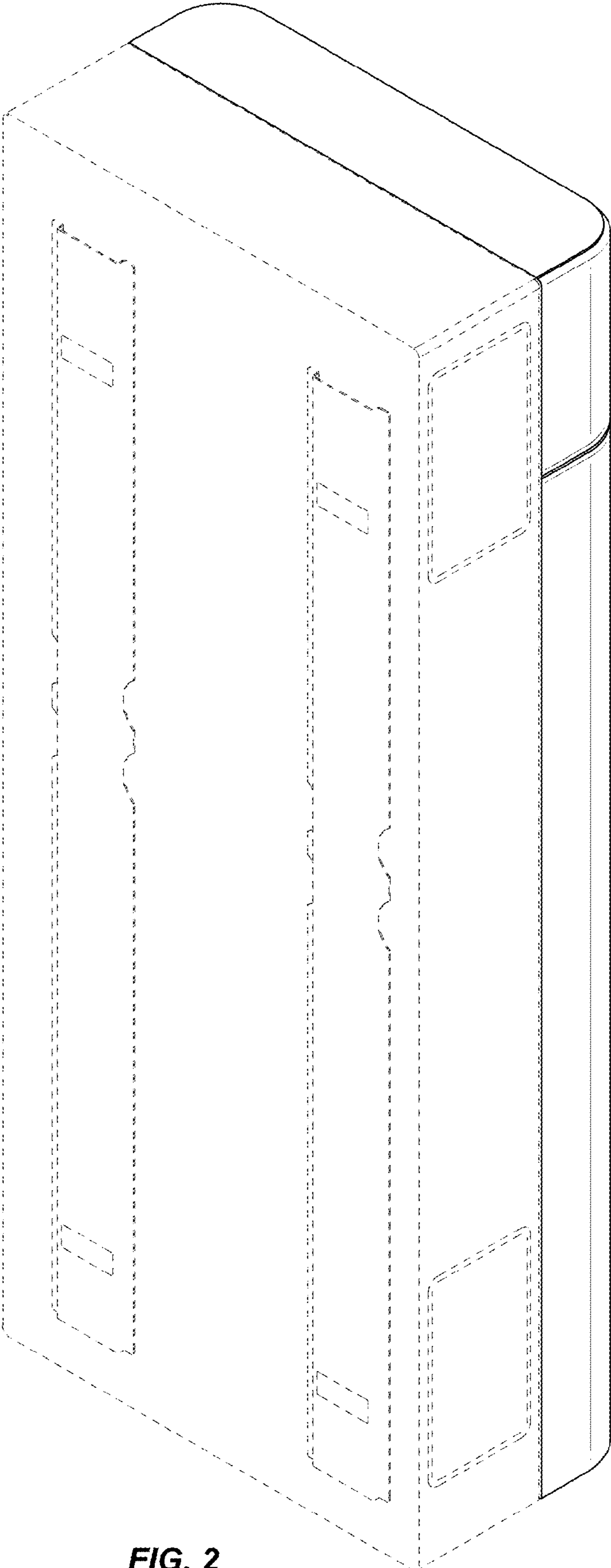


FIG. 2

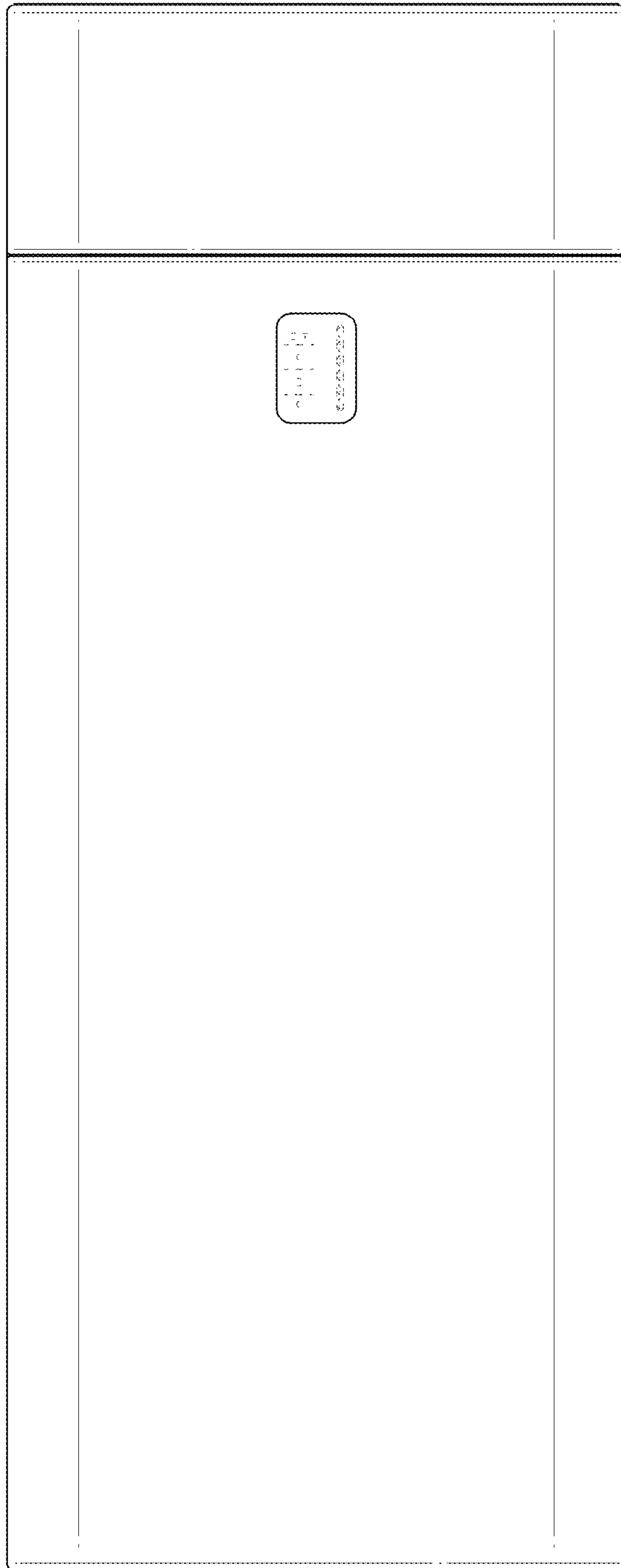


FIG. 3

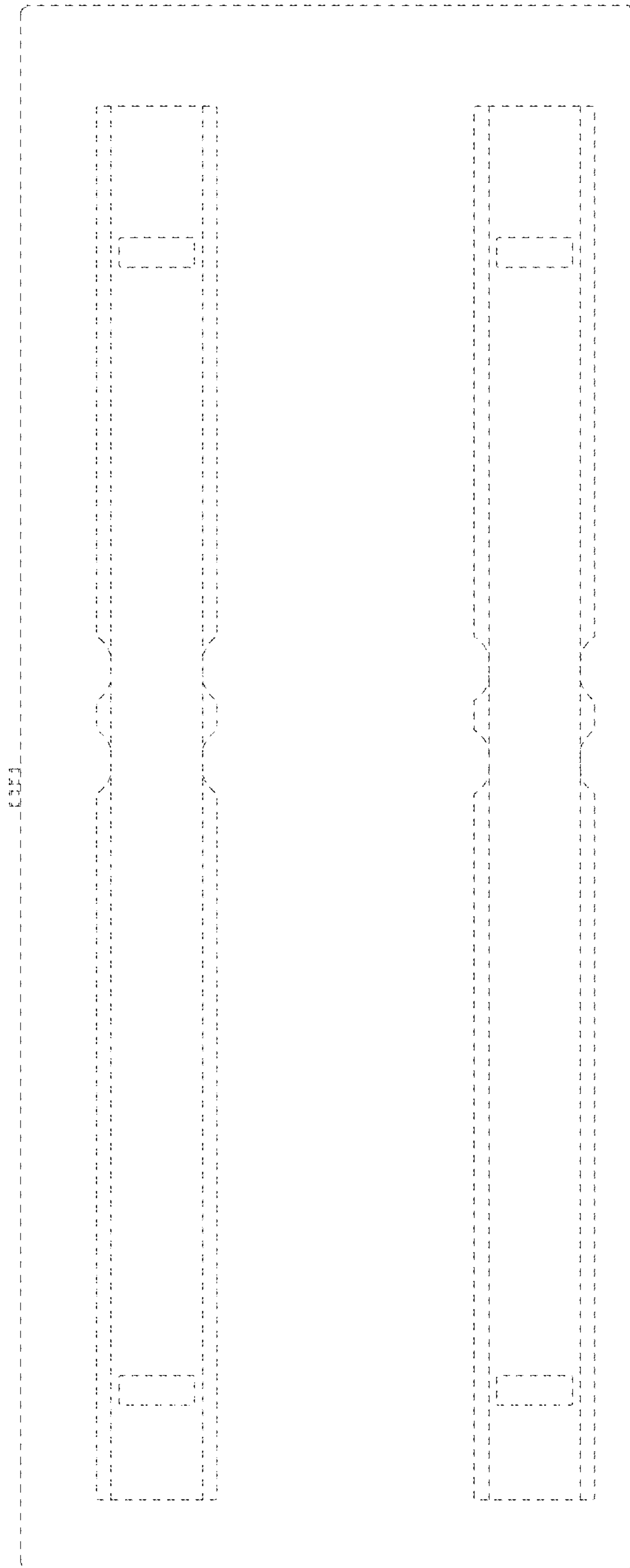


FIG. 4

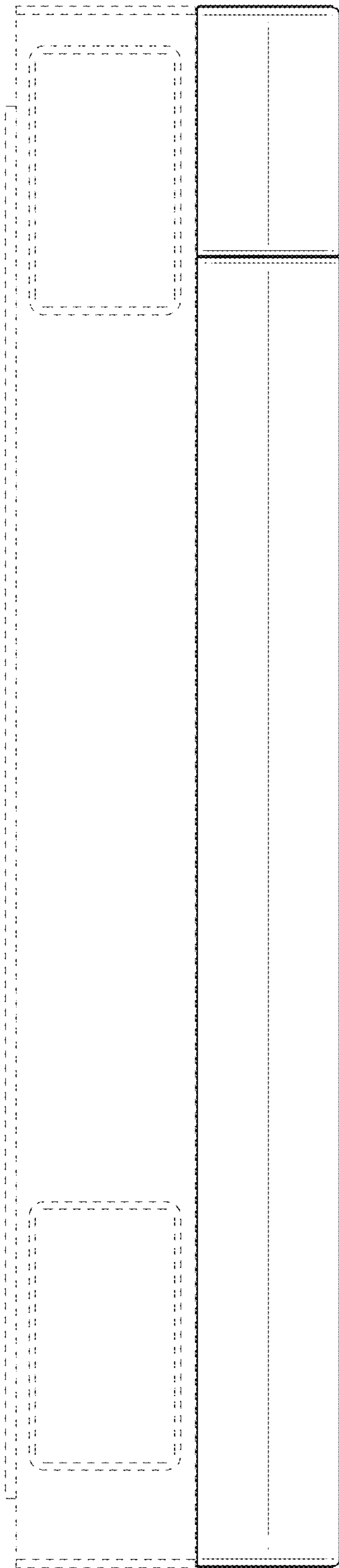


FIG. 5

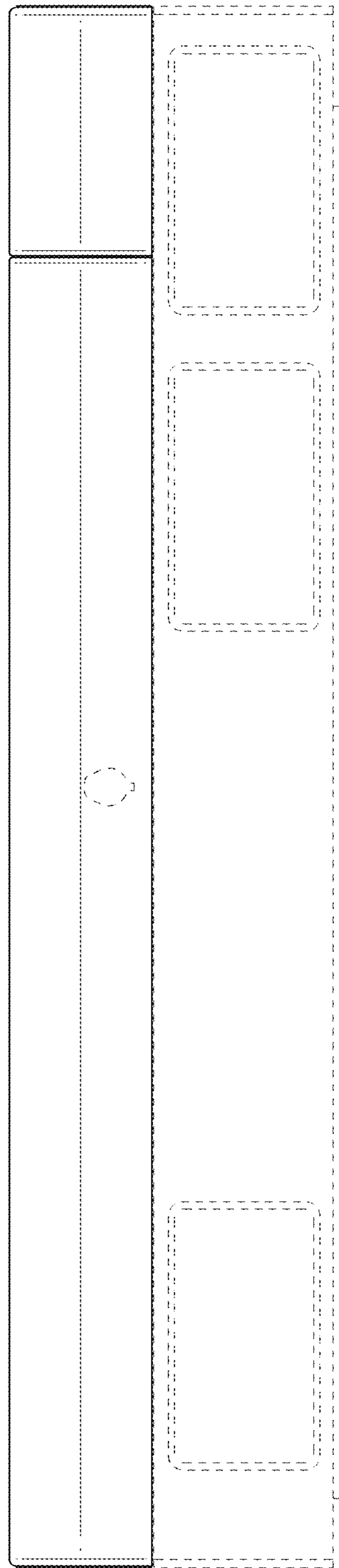


FIG. 6

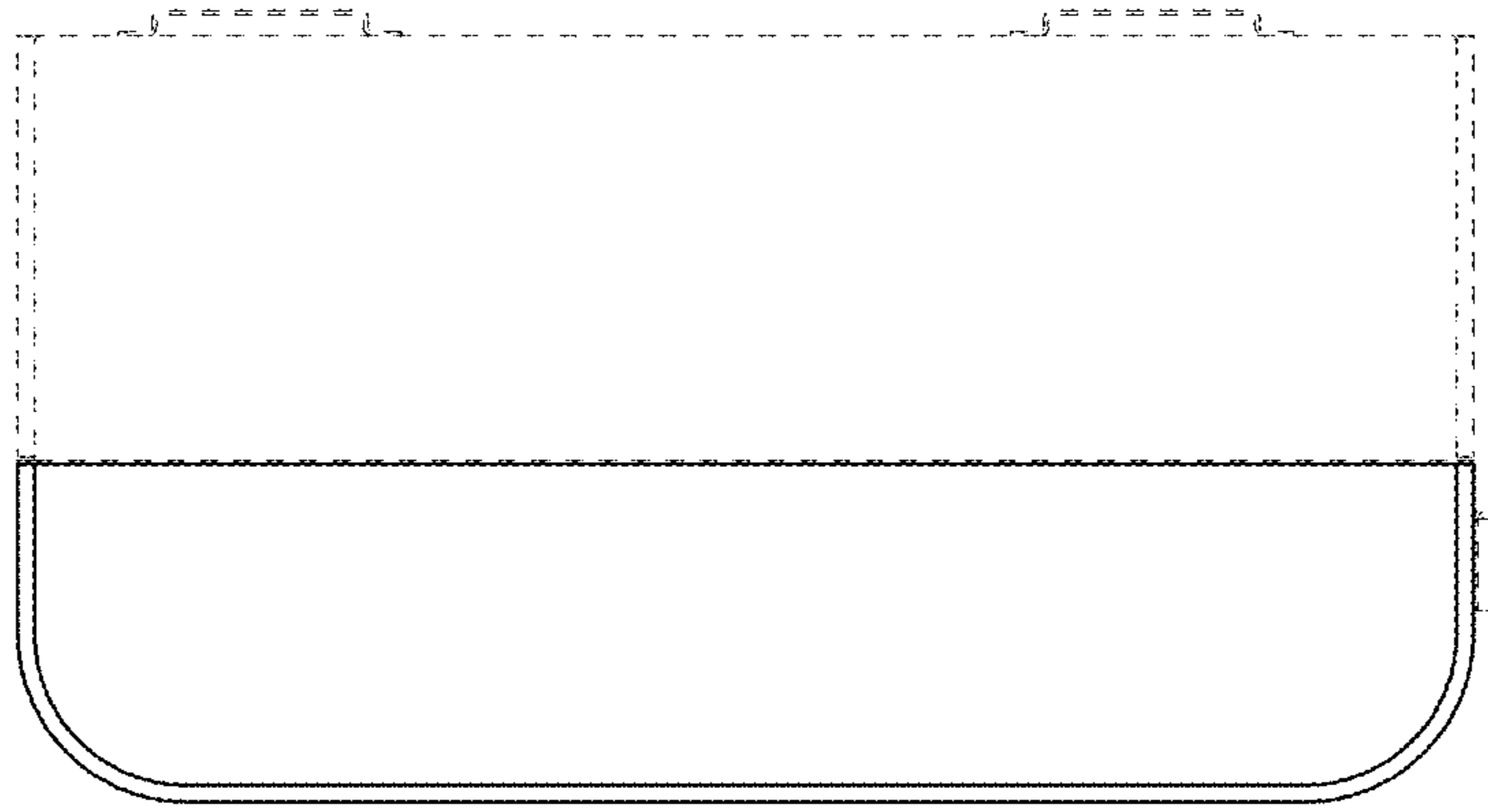


FIG. 7

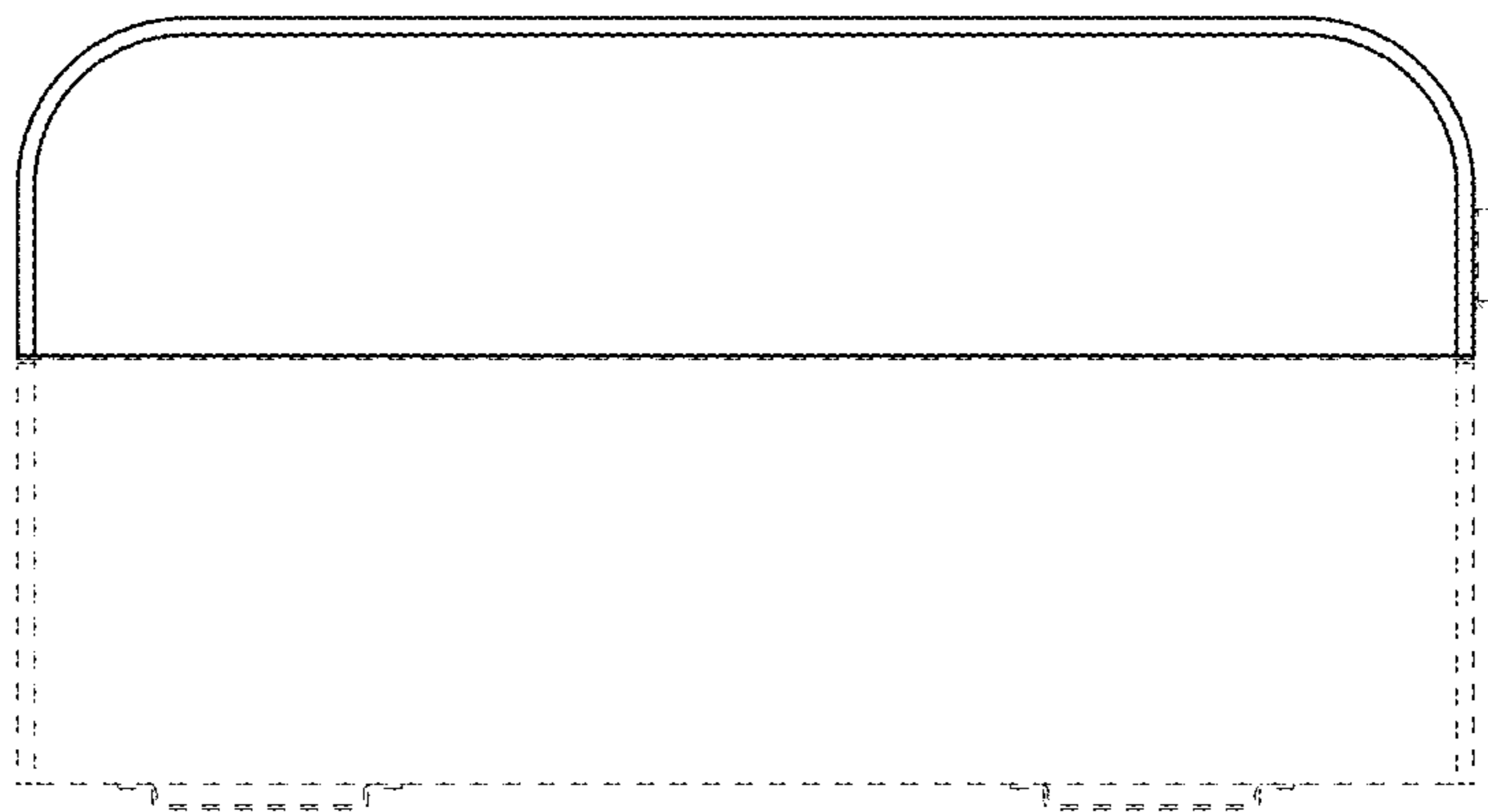


FIG. 8