



US00D978080S

(12) **United States Design Patent** (10) **Patent No.:** **US D978,080 S**
Wang et al. (45) **Date of Patent:** **** Feb. 14, 2023**

- (54) **GENERATOR**
- (71) Applicant: **EcoFlow Inc.**, Shenzhen (CN)
- (72) Inventors: **Lei Wang**, Shenzhen (CN); **Haibin Zheng**, Shenzhen (CN); **Weibin Gao**, Shenzhen (CN)
- (73) Assignee: **ECOFLOW INC.**, Shenzhen (CN)
- (**) Term: **15 Years**
- (21) Appl. No.: **35/512,163**
- (22) Filed: **Jun. 22, 2021**
- (80) **Hague Agreement Data**
 Int. Filing Date: **Jun. 22, 2021**
 Int. Reg. No.: **DM/215096**
 Int. Reg. Date: **Jun. 22, 2021**
 Int. Reg. Pub. Date: **Jul. 16, 2021**
- (51) **LOC (14) Cl.** **13-01**
- (52) **U.S. Cl.**
 USPC **D13/112**
- (58) **Field of Classification Search**
 USPC D13/112, 110, 107, 108, 103, 116, 106;
 D21/333; D14/433
 See application file for complete search history.

D942,940 S * 2/2022 Lai D13/103
 D955,329 S * 6/2022 Yu D13/103
 D957,322 S * 7/2022 Liu D13/103

(Continued)

Primary Examiner — Rhea Shields
 (74) *Attorney, Agent, or Firm* — Anova Law Group, PLLC

(57) **CLAIM**

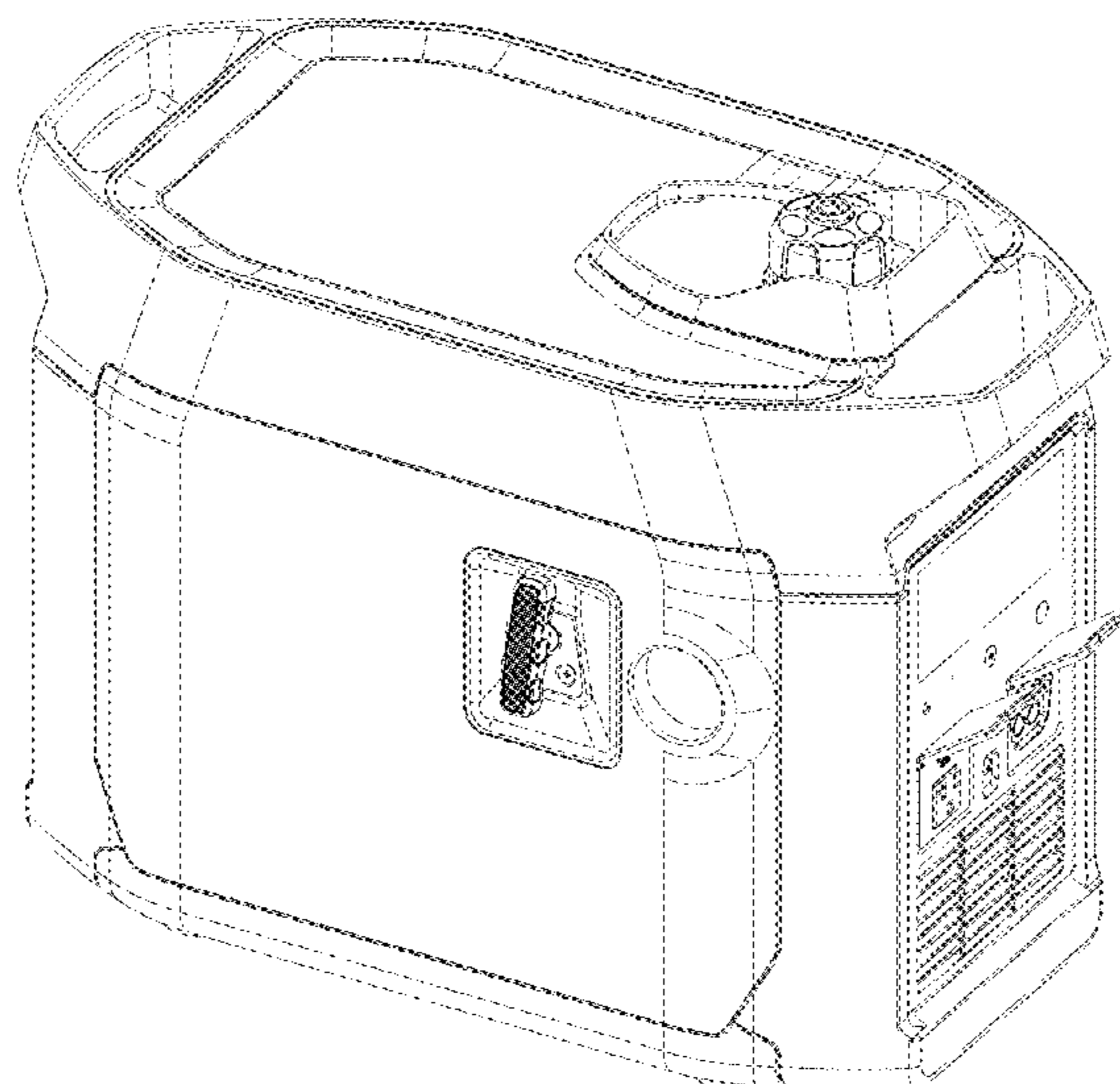
The ornamental design for a generator, as shown and described.

DESCRIPTION

1. Generator
 2. Generator
 1.1 : Front
 1.2 : Back
 1.3 : Left
 1.4 : Right
 1.5 : Top
 1.6 : Bottom
 1.7 : Perspective
 1.8 : Perspective
 1.9 : Perspective
 1.10 : Perspective
 1.11 alternate perspective view; and
 1.12 another alternate perspective view.
 Reproduction 1.1: front view of design 1; Reproduction 1.2: back view of design 1; Reproduction 1.3: left view of design 1; Reproduction 1.4: right view of design 1; Reproduction 1.5: top view of design 1; Reproduction 1.6: bottom view of design 1; Reproduction 1.7: perspective view (front, top, right side) of design 1; Reproduction 1.8: perspective view (back, bottom, left side) of design 1; Reproduction 1.9: perspective view (front, top, left side) of design 1; Reproduction 1.10: perspective view (back, bottom, right side) of design 1; Reproduction 1.11: usage state reference view of design 1; Reproduction 1.12: usage state reference view of design 1.

- (56) **References Cited**
 U.S. PATENT DOCUMENTS
 D658,581 S * 5/2012 Reade D13/110
 D664,499 S * 7/2012 Workman D13/107
 D733,048 S * 6/2015 Inskeep D13/107
 D837,149 S * 1/2019 Yin D13/103
 D842,240 S * 3/2019 Lai D13/107
 D874,395 S * 2/2020 Sun D13/106
 D897,284 S * 9/2020 Sun D13/103
 D905,637 S * 12/2020 Gou D13/110
 D910,550 S * 2/2021 Bell D13/107
 D911,953 S * 3/2021 Yin D13/103
 D937,207 S * 11/2021 Zhen D13/103

1 Claim, 12 Drawing Sheets



(56)

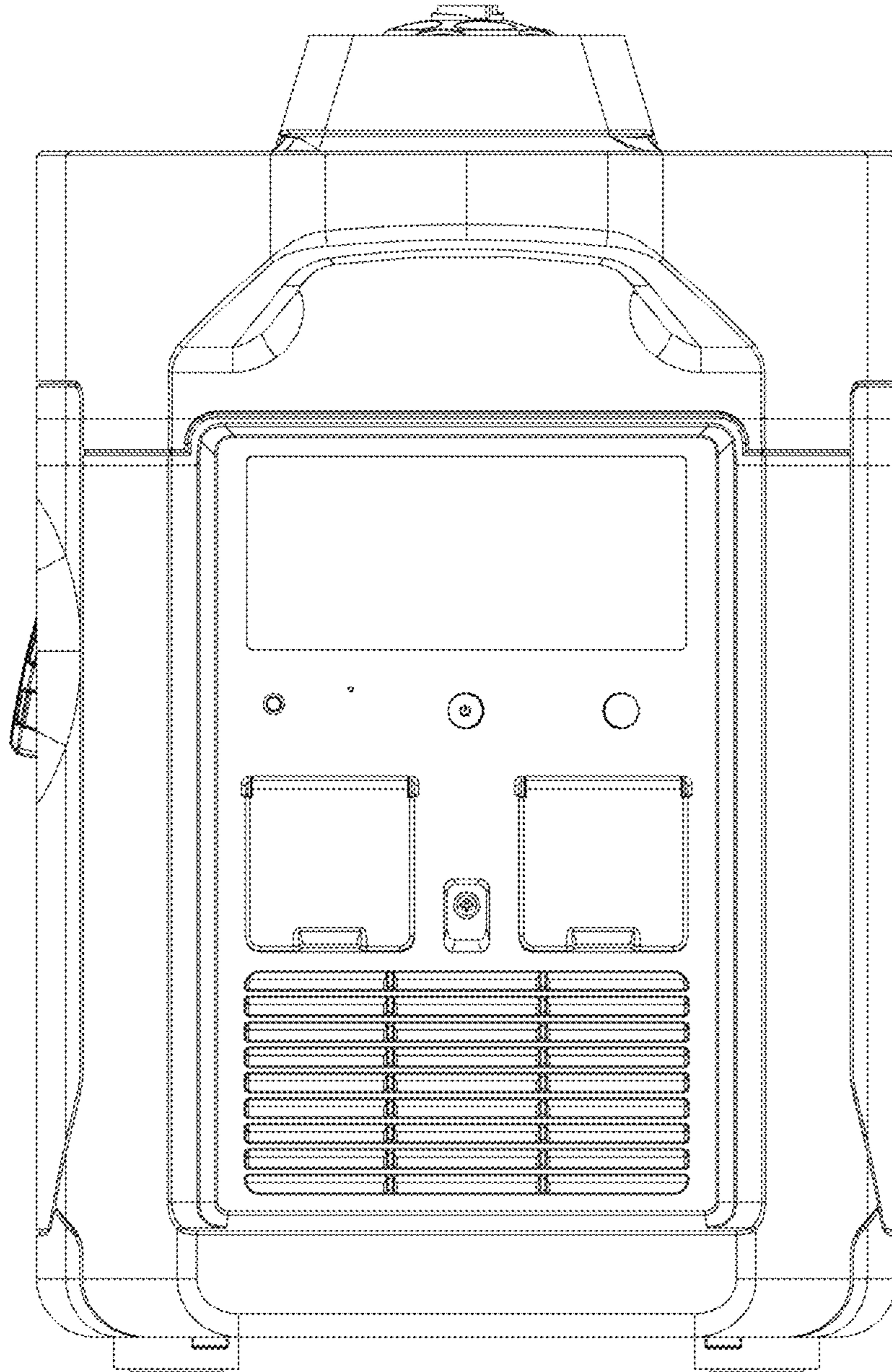
References Cited

U.S. PATENT DOCUMENTS

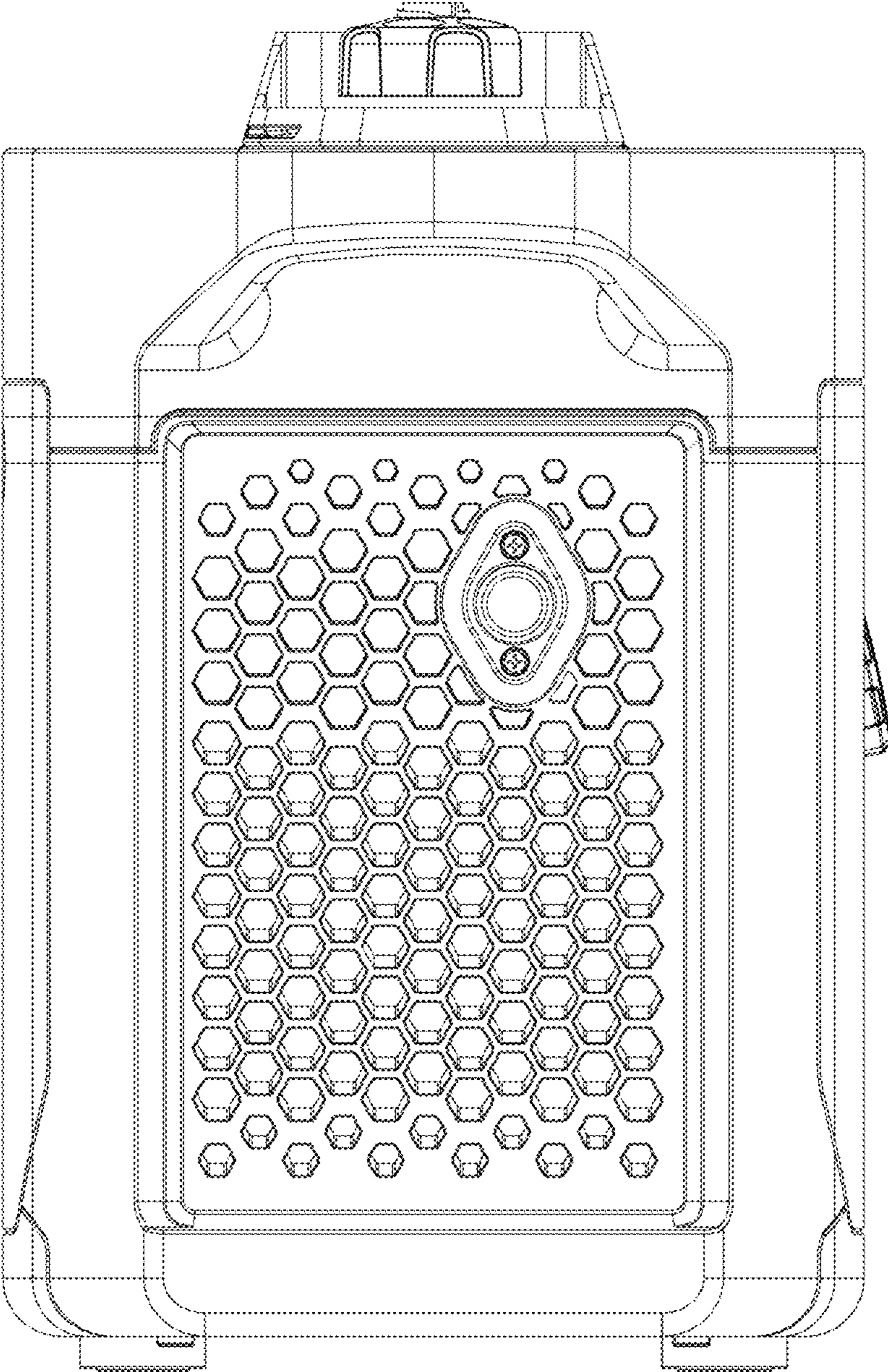
D959,365	S	*	8/2022	Sun	D13/103
D960,096	S	*	8/2022	Li	D13/110
D961,499	S	*	8/2022	Pettersson	D13/103
D961,500	S	*	8/2022	Sun	D13/116
D961,503	S	*	8/2022	Fu	D13/107
D961,512	S	*	8/2022	Chen	D13/110
D962,162	S	*	8/2022	Deng	D13/108
D962,165	S	*	8/2022	Barr	D13/110
D962,863	S	*	9/2022	Tang	D21/333
D963,565	S	*	9/2022	Zhang	D13/107
D963,566	S	*	9/2022	Huang	D13/103
D963,653	S	*	9/2022	Shen	D14/433

* cited by examiner

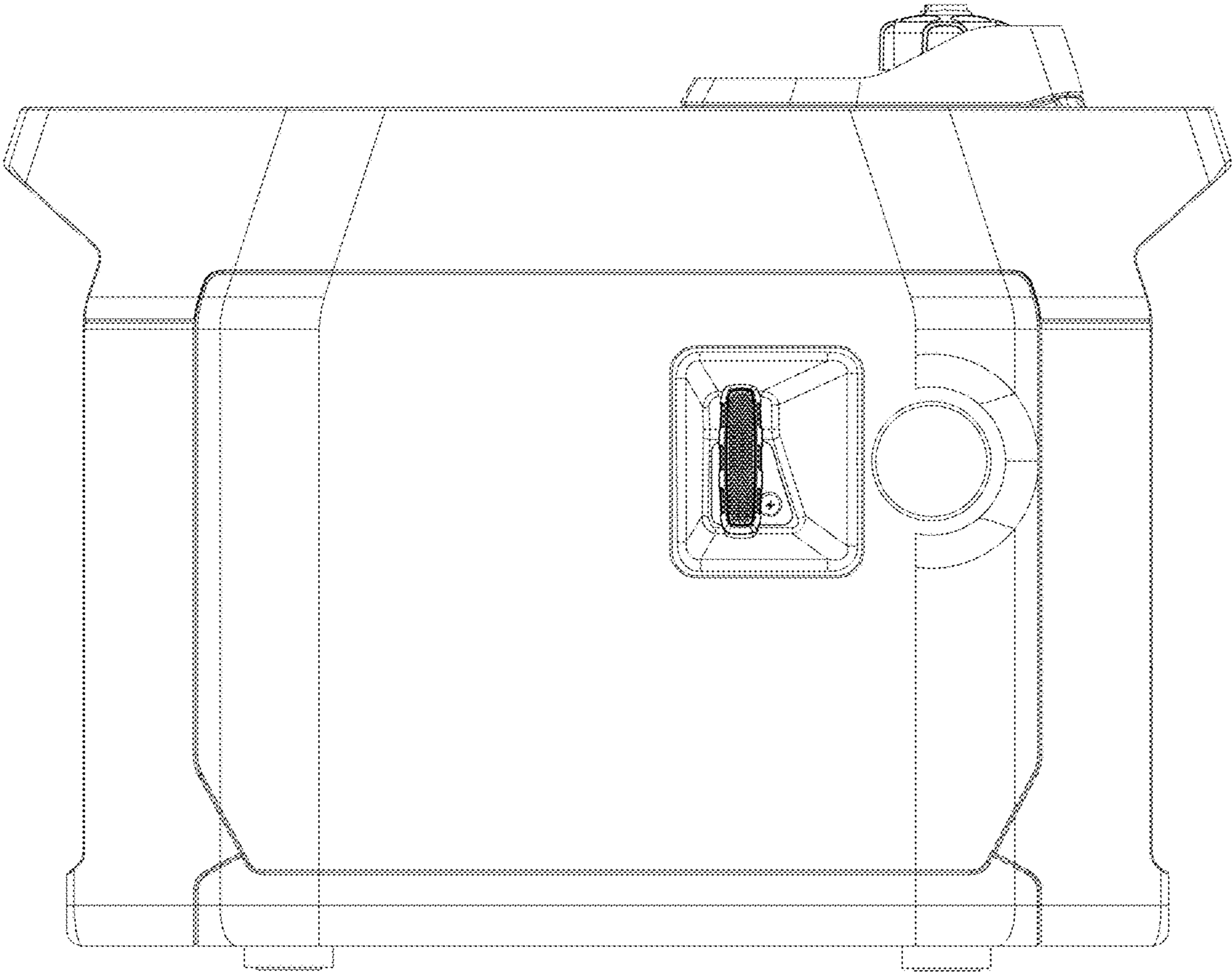
1.1



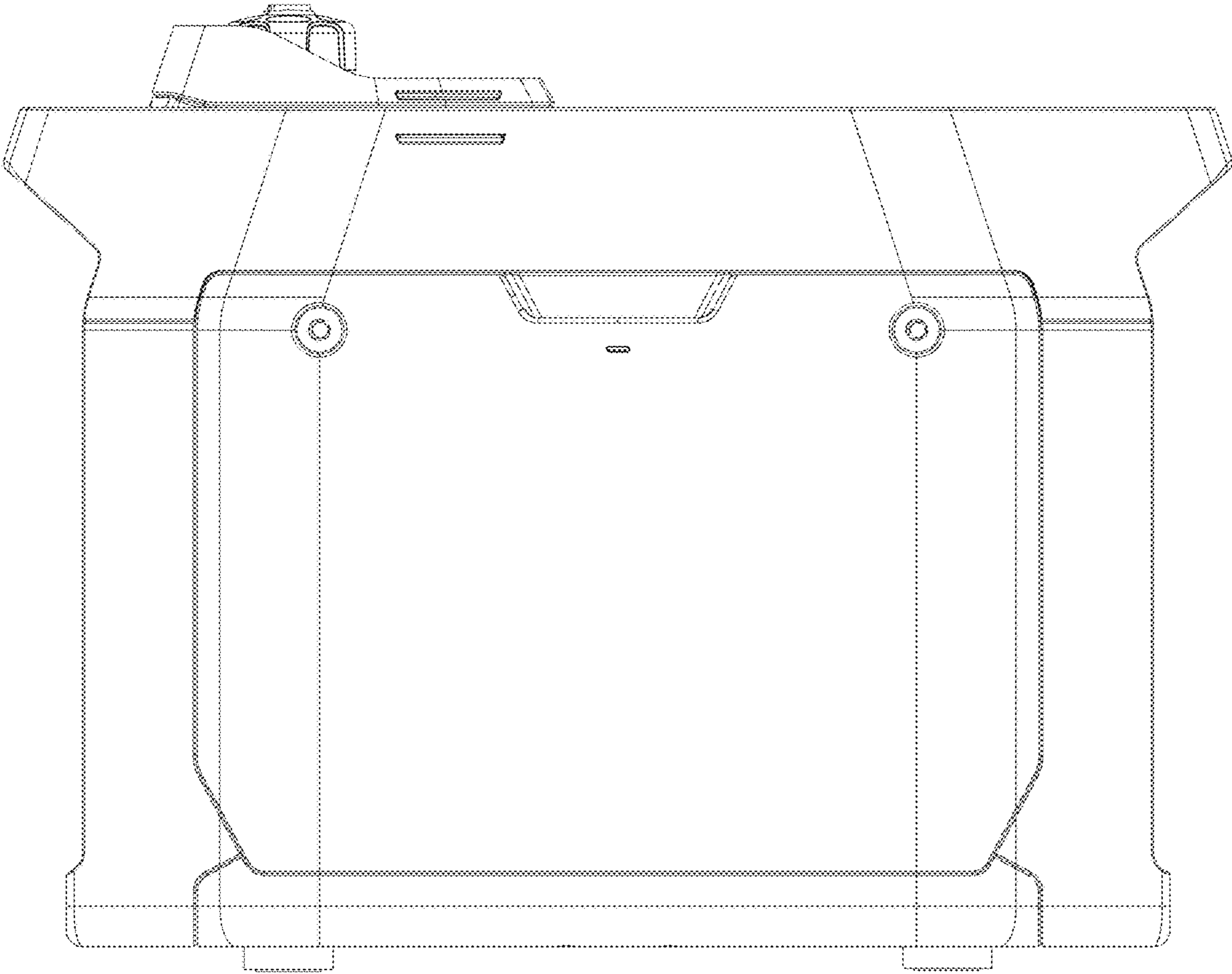
1.2



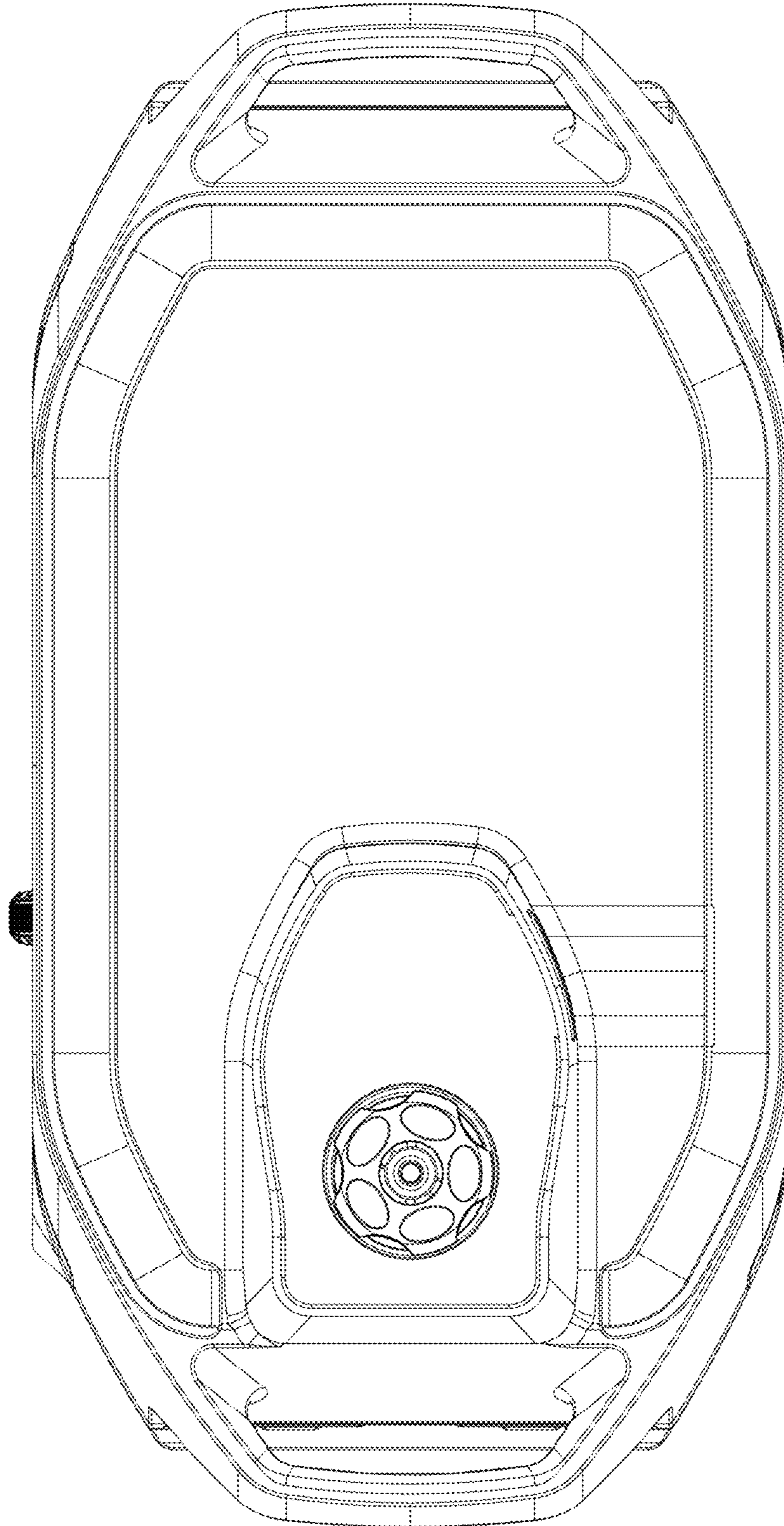
1.3



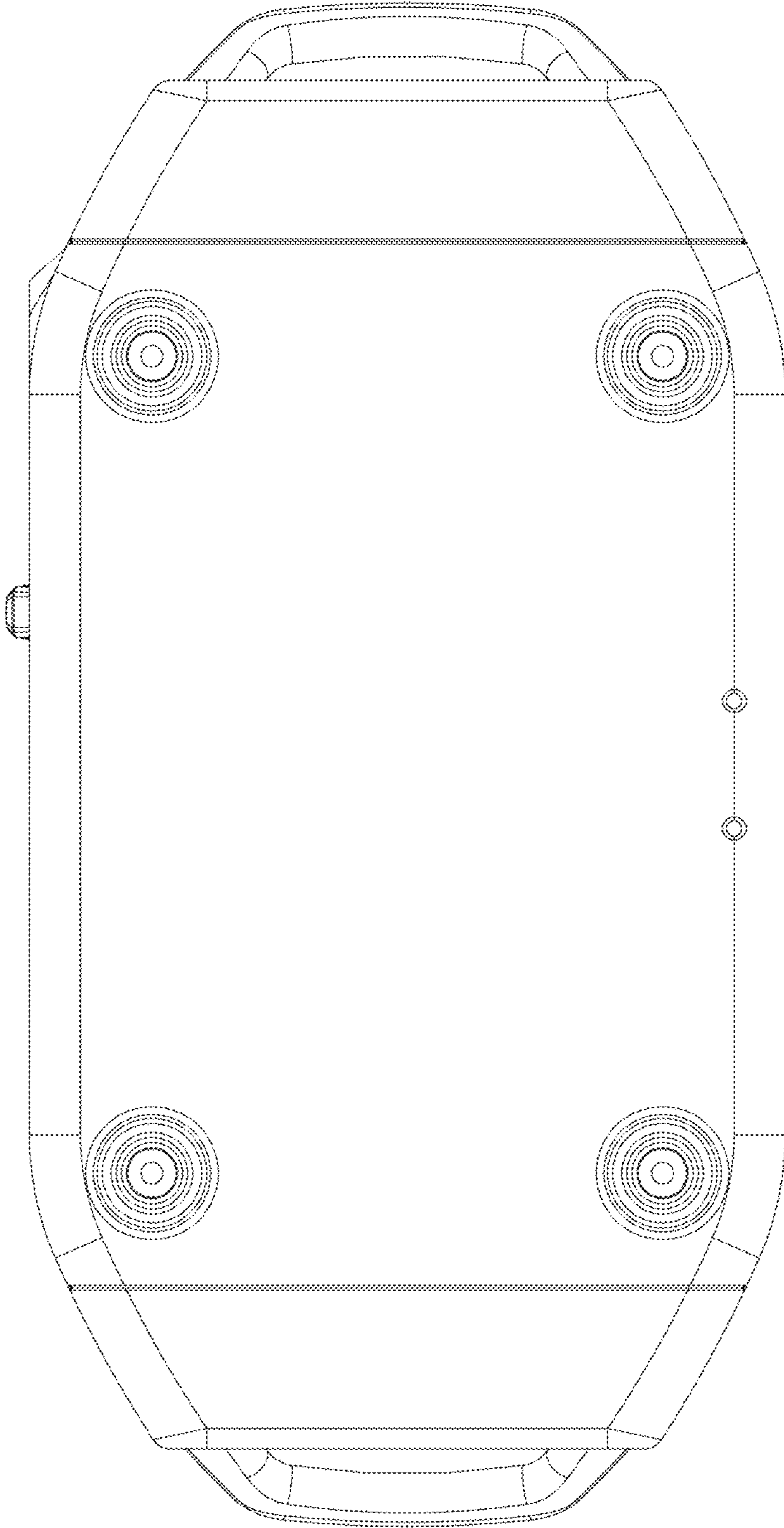
1.4



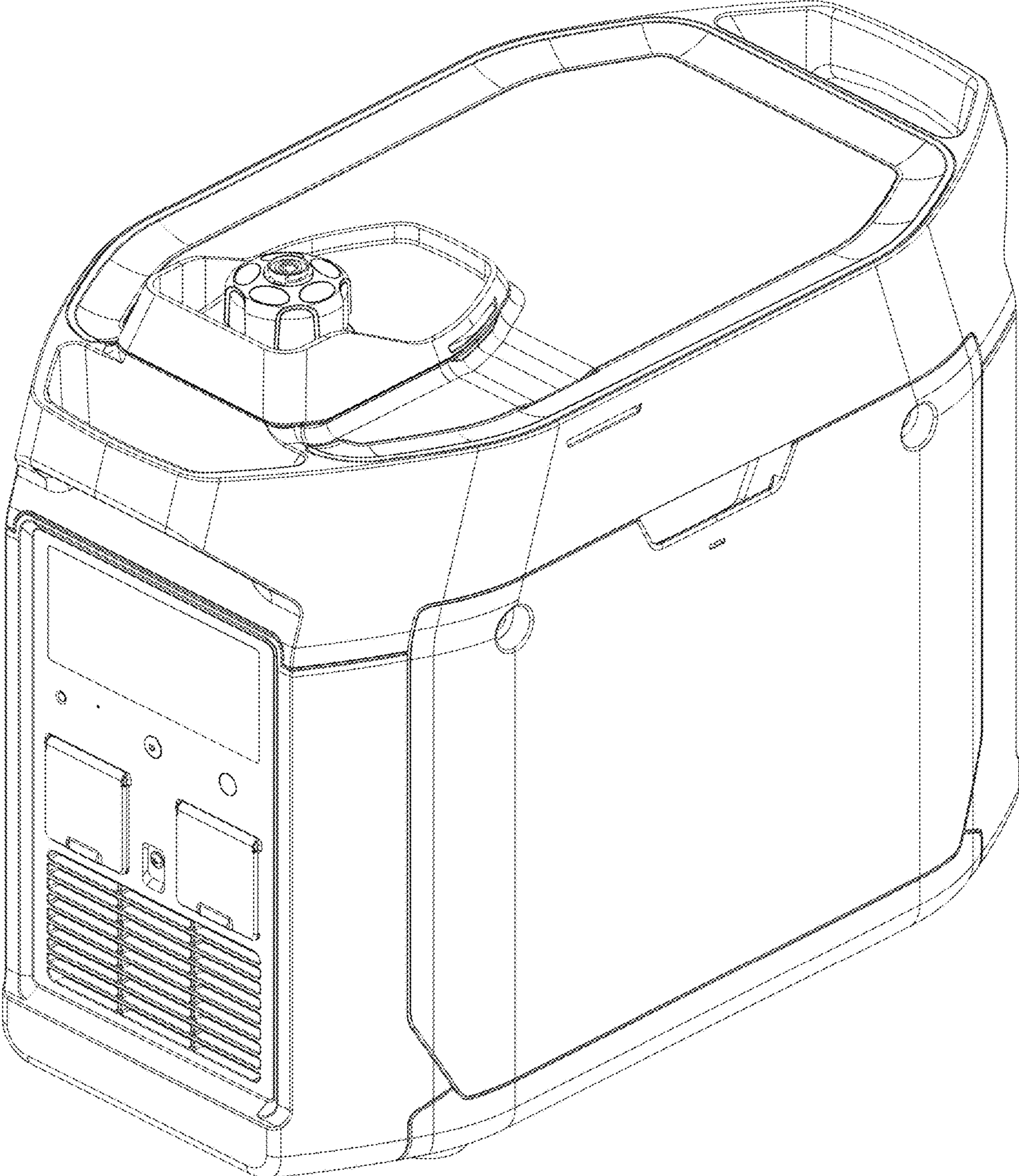
1.5



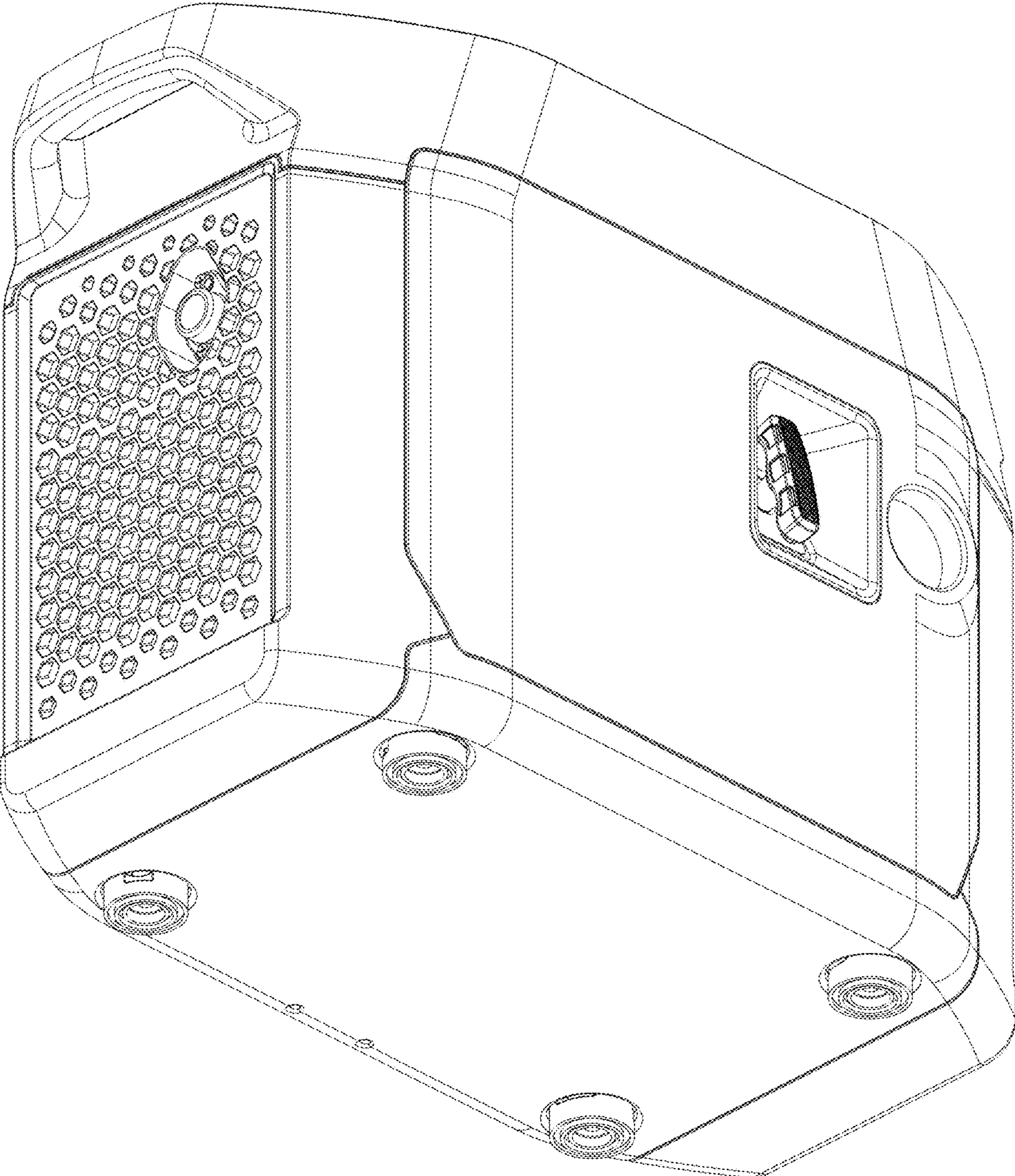
1.6



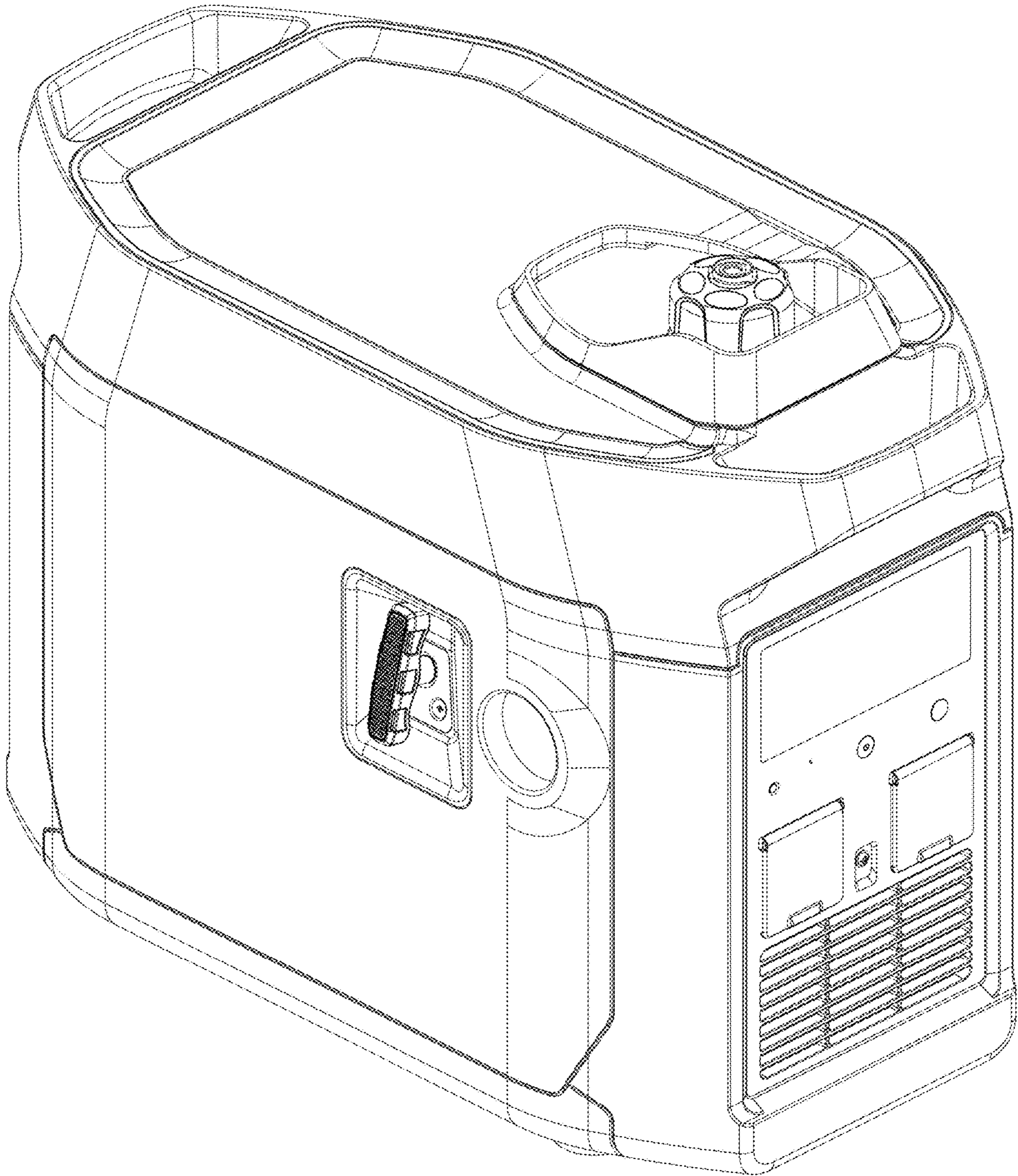
1.7



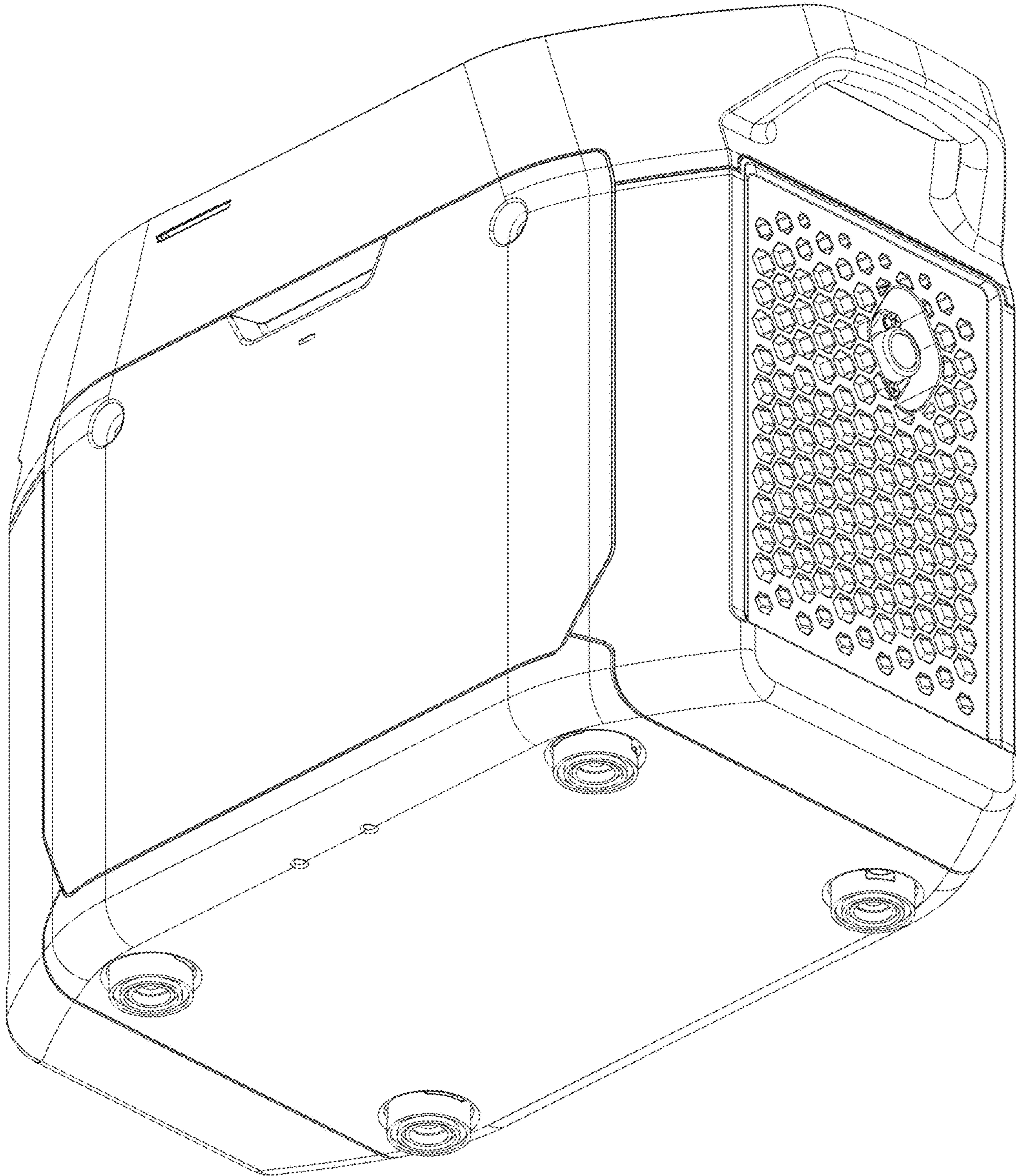
1.8



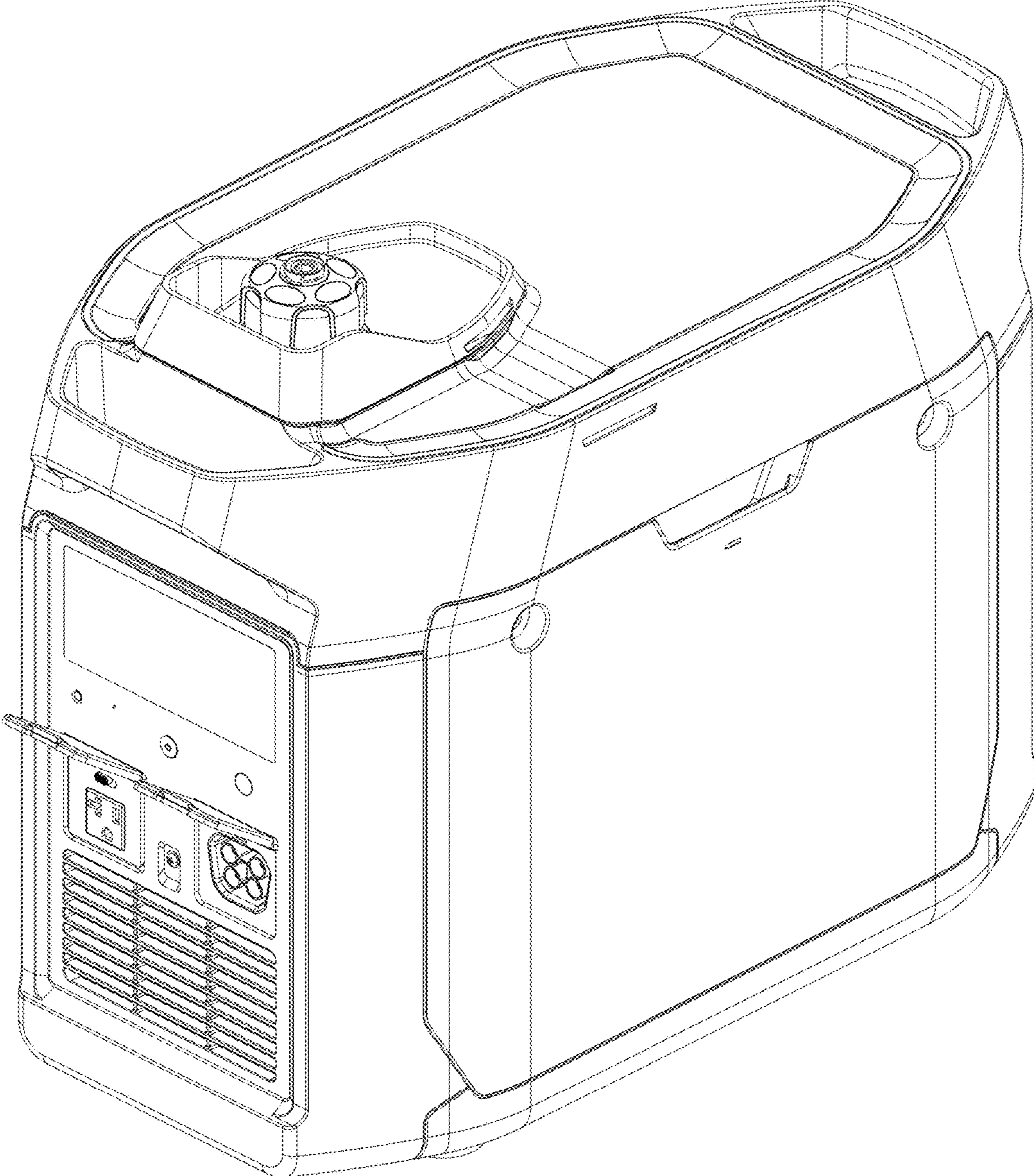
1.9



1.10



1.11



1.12

