



US00D978078S

(12) **United States Design Patent**  
**Lim et al.**

(10) **Patent No.:** **US D978,078 S**

(45) **Date of Patent:** **\*\* Feb. 14, 2023**

(54) **POWER ADAPTER**

(71) Applicant: **NVIDIA Corporation**, San Jose, CA (US)

(72) Inventors: **Hyoji Heidi Lim**, San Jose, CA (US); **Boris Landwehr**, Thousand Oaks, CA (US); **Pei-Lin Lo**, Taipei (TW); **Andrew Robert Bell**, San Francisco, CA (US); **Gabriele Gorla**, Santa Clara, CA (US); **Timothy Lee**, Oakland, CA (US); **Yongju Kwak**, San Jose, CA (US)

(73) Assignee: **NVIDIA Corporation**, Santa Clara, CA (US)

(\*\*) Term: **15 Years**

(21) Appl. No.: **29/699,334**

(22) Filed: **Jul. 24, 2019**

(51) **LOC (14) Cl.** ..... **13-02**

(52) **U.S. Cl.**  
USPC ..... **D13/110; D14/433**

(58) **Field of Classification Search**  
USPC ..... D13/103, 108, 110, 123, 133, 137.4, D13/139.4, 139.7, 144, 184; D14/242,  
(Continued)

(56) **References Cited**

U.S. PATENT DOCUMENTS

6,030,247 A \* 2/2000 Sasahara ..... H01R 13/20  
439/79  
D432,078 S \* 10/2000 Chen ..... D13/103  
(Continued)

OTHER PUBLICATIONS

Superer, Date: Nov. 23, 2016, [online], [site visited Aug. 5, 2022].  
Available from internet, URL: <https://www.amazon.com/dp/B07WKDX1TH> (Year: 2016).\*

(Continued)

*Primary Examiner* — Shawn T Gingrich

*Assistant Examiner* — Bryan N. Melvin

(74) *Attorney, Agent, or Firm* — Taylor English Duma L.L.P.

(57) **CLAIM**

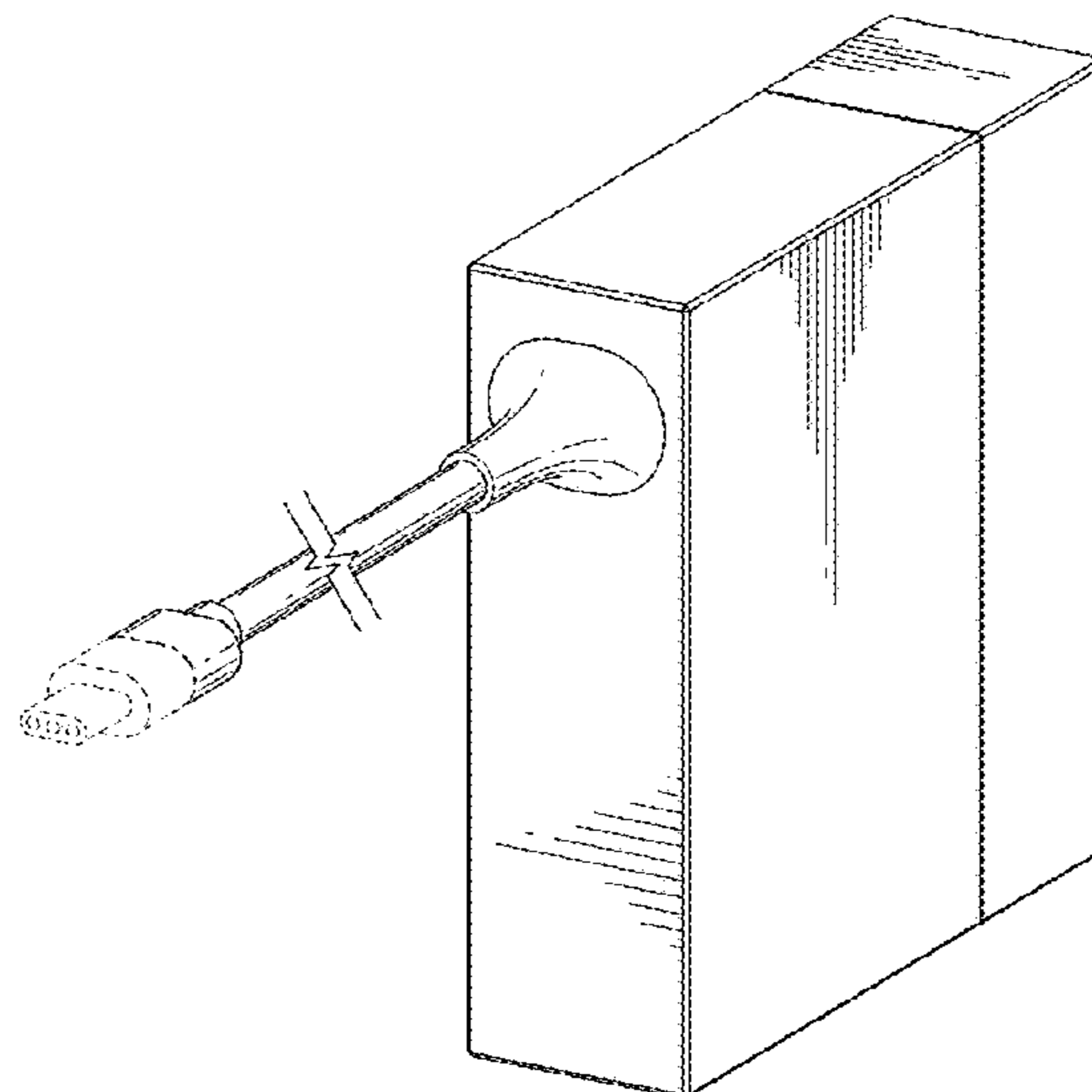
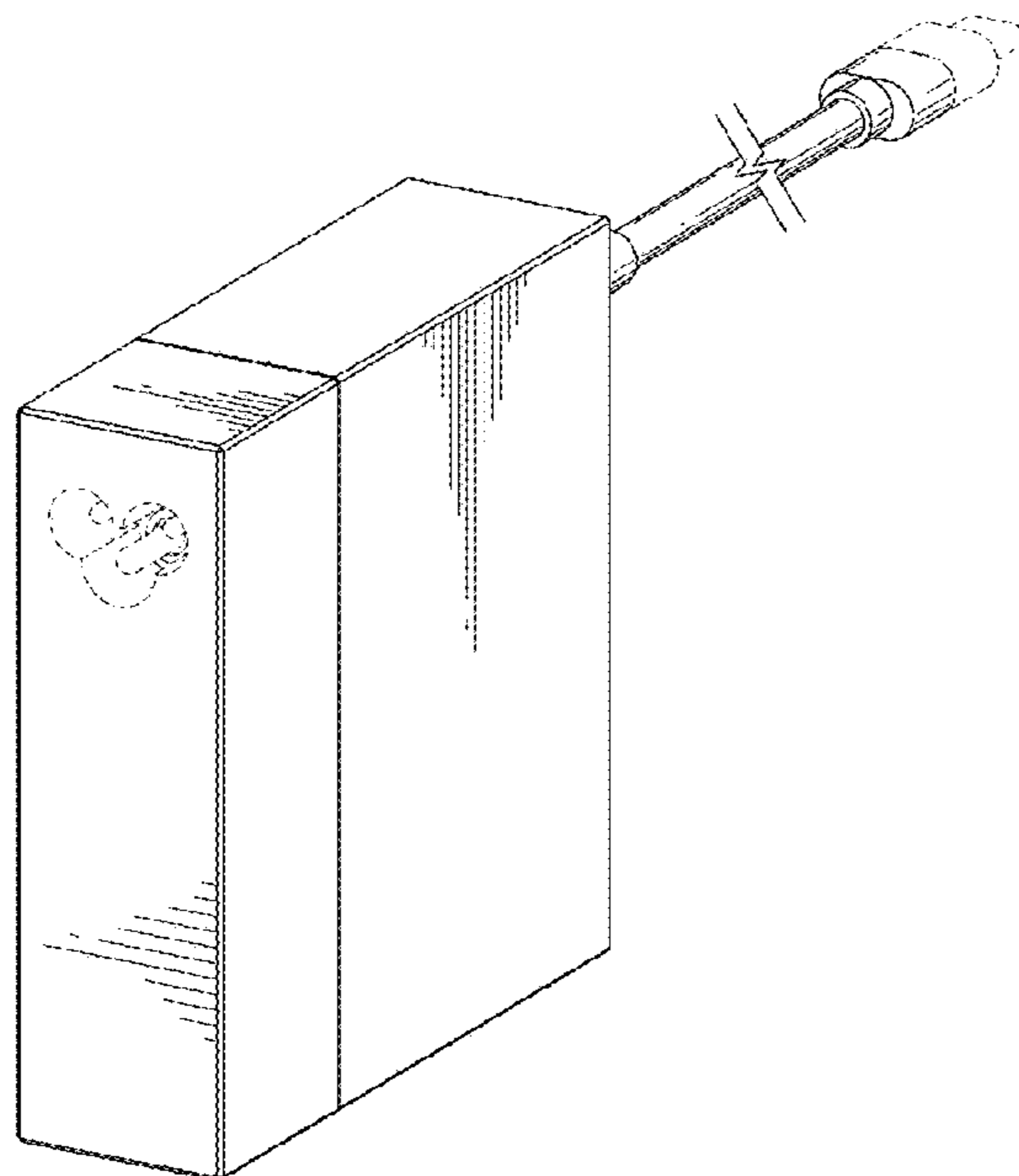
The ornamental design for a power adapter, as shown and described.

**DESCRIPTION**

FIG. 1 is a front view of a power adapter showing the design; FIG. 2 is a rear view thereof; FIG. 3 is a top view thereof; FIG. 4 is a bottom view thereof; FIG. 5 is a left side view thereof; FIG. 6 is a right side view thereof; FIG. 7 is a first perspective view thereof; FIG. 8 is a second perspective view thereof; FIG. 9 is a first perspective view of a power adapter showing the design in an environment of use; FIG. 10 is a second perspective view thereof; FIG. 11 is a first perspective view of a power adapter showing the design in a second environment of use; and, FIG. 12 is a second perspective view thereof.

The even-length broken lines illustrate features of the power adapter that form no part of the claimed design. The dot-dash lines are boundary lines, which define the bounds of the claimed design, and the claimed design extends to these boundaries. These dot-dash lines do not exist in reality in the article embodying the design. The drawings include break lines which represent a symbolic break in length of the power adapter. The appearance of any portion of the article between the break lines forms no part of the claimed design.

**1 Claim, 9 Drawing Sheets**



(58) **Field of Classification Search**

USPC ..... D14/349, 356, 433, 435, 435.1, 496;  
D26/39; D27/189

CPC ..... H01R 13/20; H01R 13/26; H01R 13/72;  
H01R 13/625; H01R 13/639; H01R  
24/40; H01R 31/06; Y10S 439/956

See application file for complete search history.

(56) **References Cited**

U.S. PATENT DOCUMENTS

D522,967	S *	6/2006	St. Clair	.....	D13/139.7
D615,929	S *	5/2010	Maurer	.....	D13/110
D622,713	S *	8/2010	Chung	.....	D14/242
D646,632	S *	10/2011	Hogen	.....	D13/110
8,382,526	B2 *	2/2013	Chen	.....	H01R 13/639 439/655
D731,489	S *	6/2015	Langhammer	.....	D14/433
D784,340	S *	4/2017	Laffon de Mazieres	....	D14/433
D798,301	S *	9/2017	Kujawski	.....	D14/433
D811,391	S *	2/2018	Behar	.....	D14/349
D852,741	S *	7/2019	Trachtenberg	.....	D13/110
2010/0139950	A1 *	6/2010	Chen	.....	H01R 13/72 439/501

OTHER PUBLICATIONS

Superer 2, Date: Jan. 1, 2017, [online], [site visited Aug. 5, 2022].  
Available from internet, URL: <https://www.amazon.com/dp/B085VTQW24> (Year: 2017).\*

\* cited by examiner

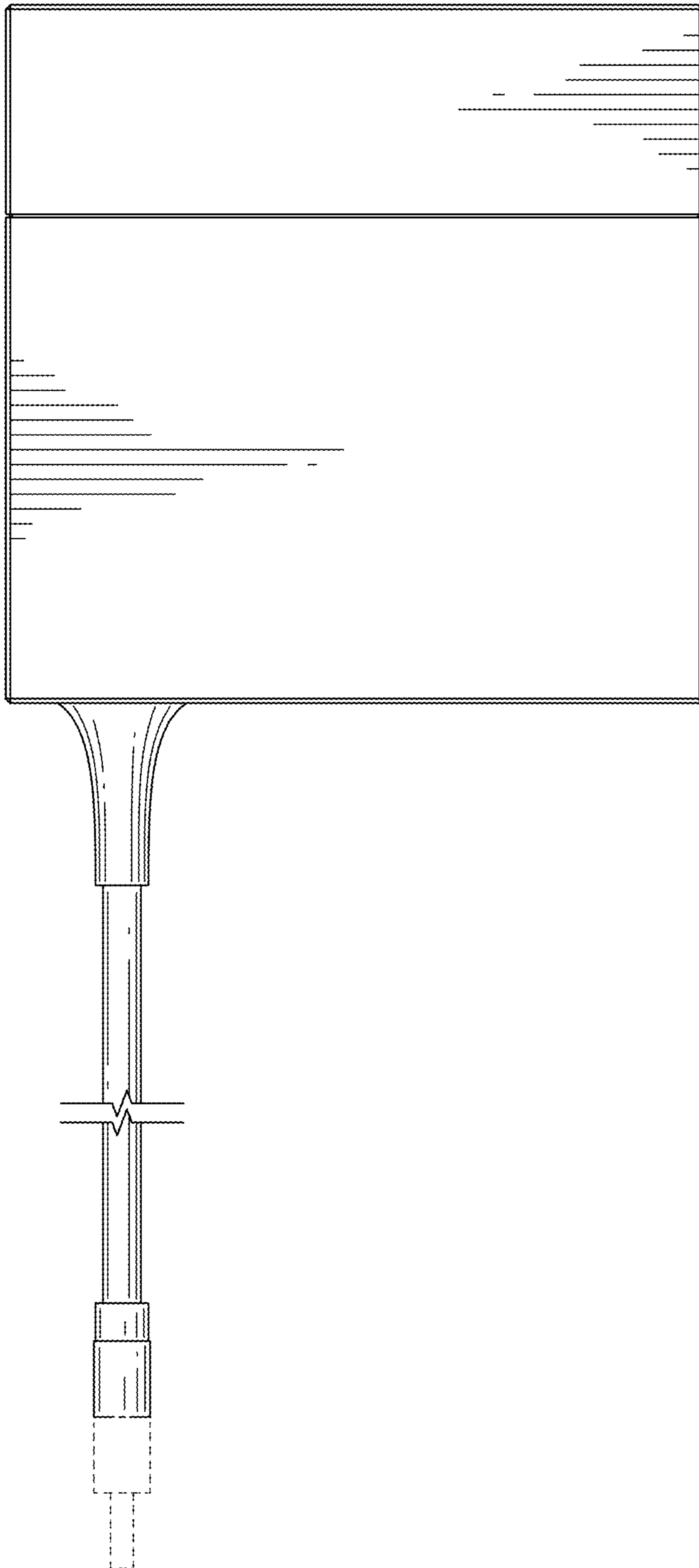


FIG. 1

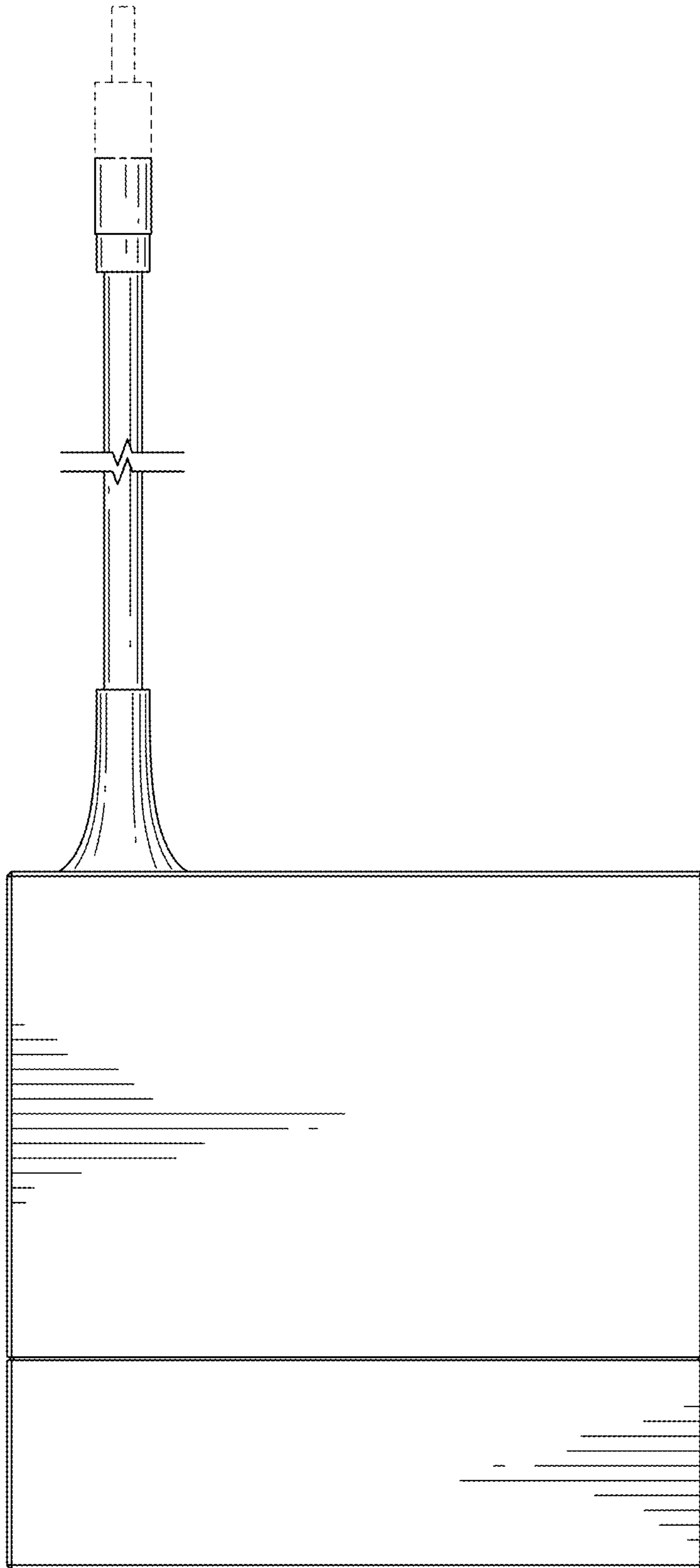


FIG. 2

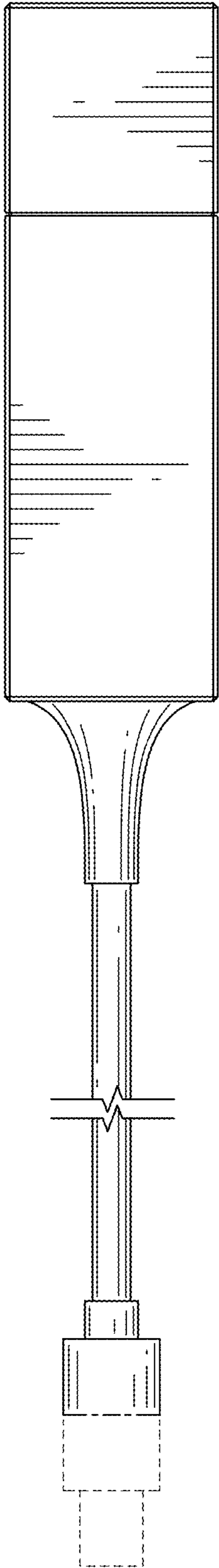


FIG. 3

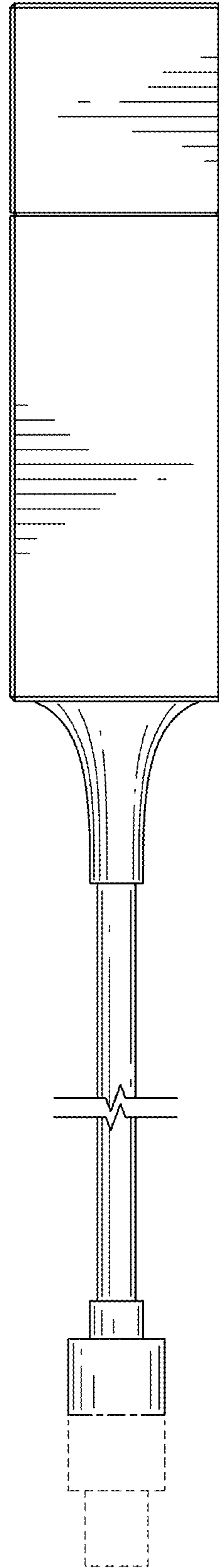


FIG. 4



FIG. 6

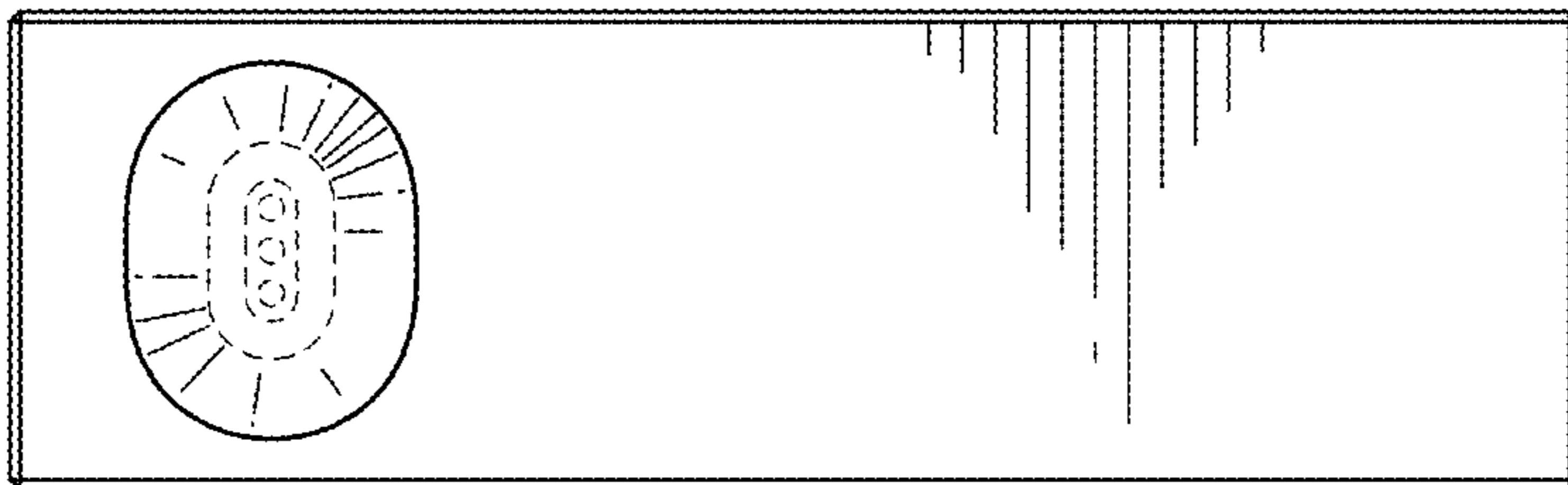


FIG. 5

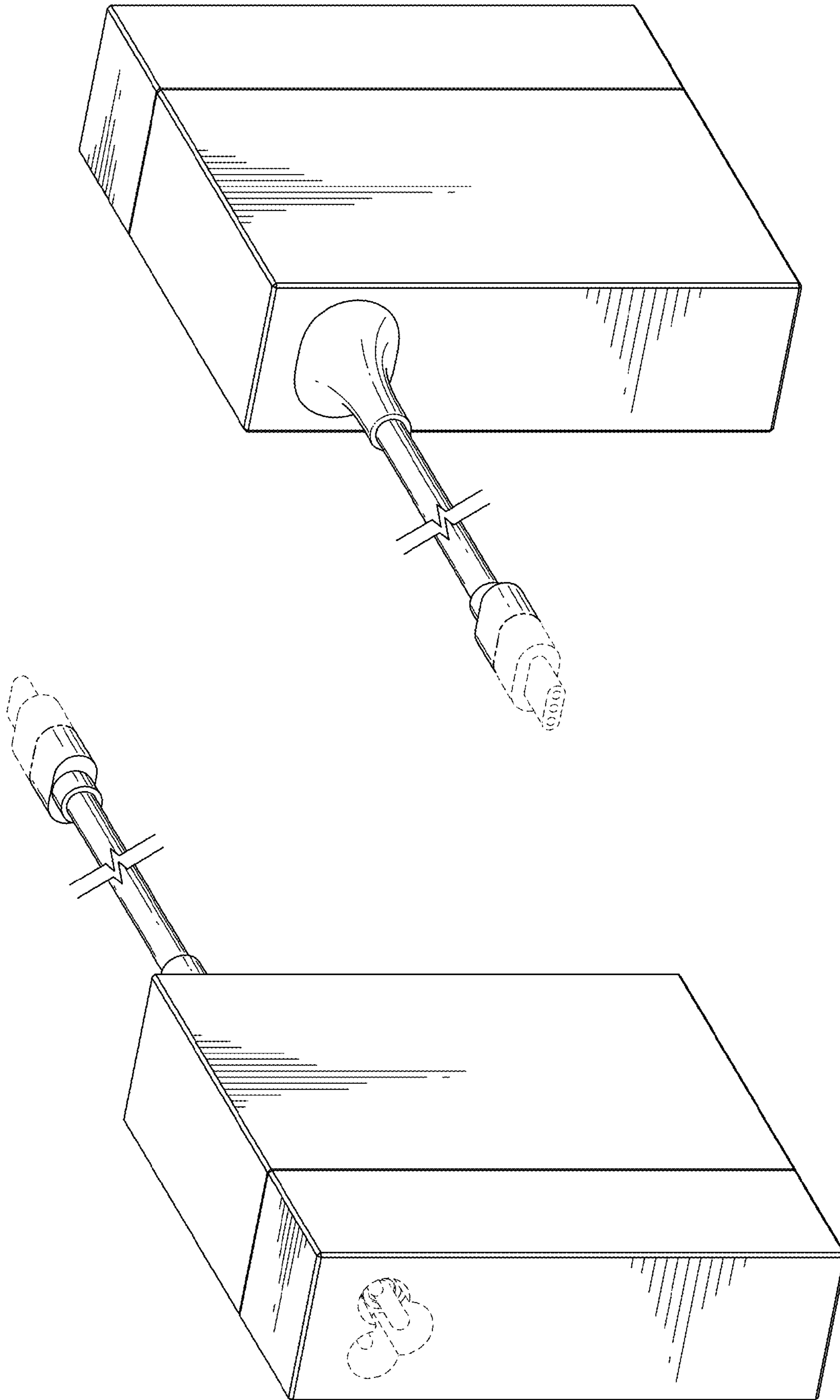


FIG. 8

FIG. 7

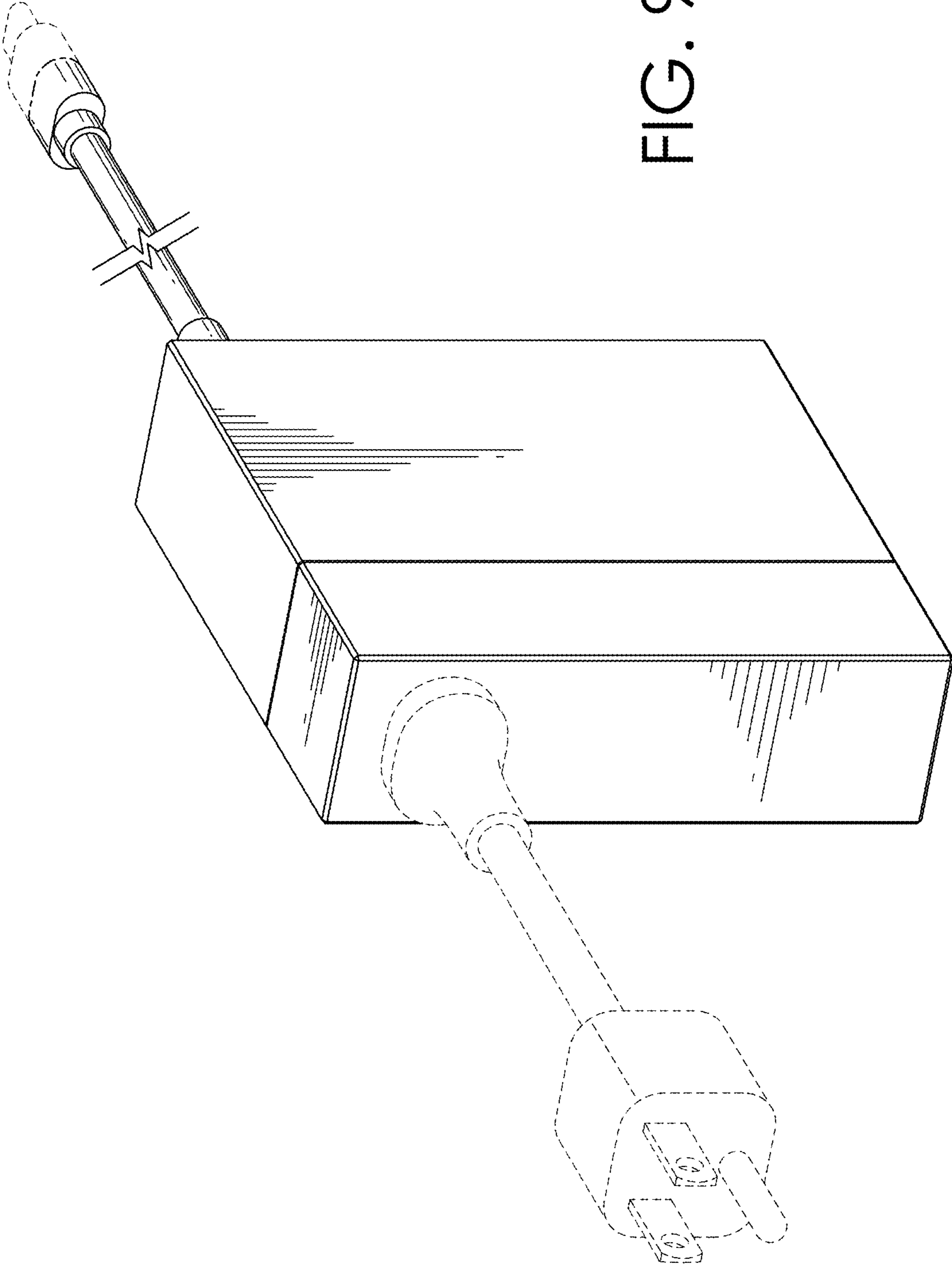


FIG. 9



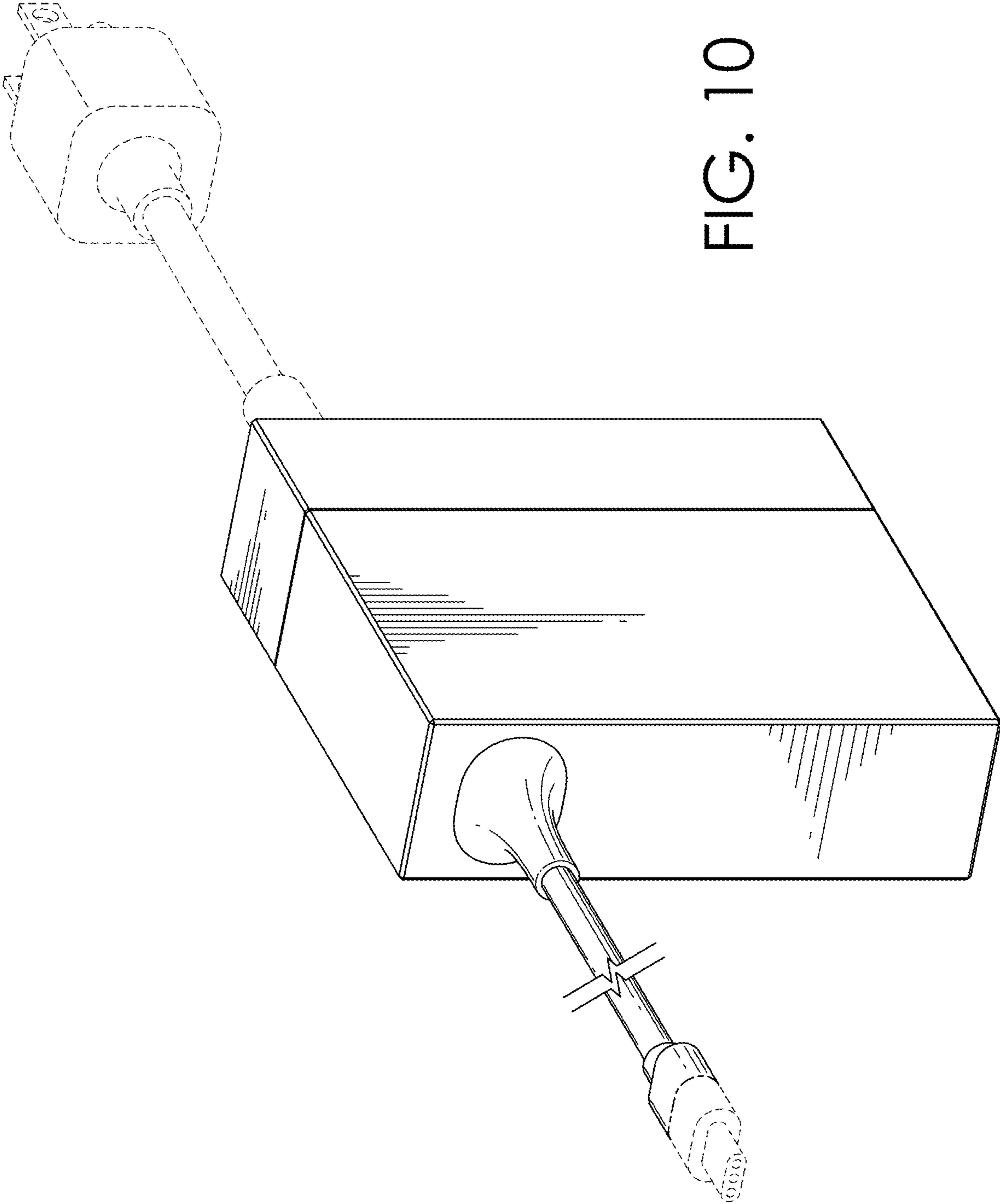


FIG. 10

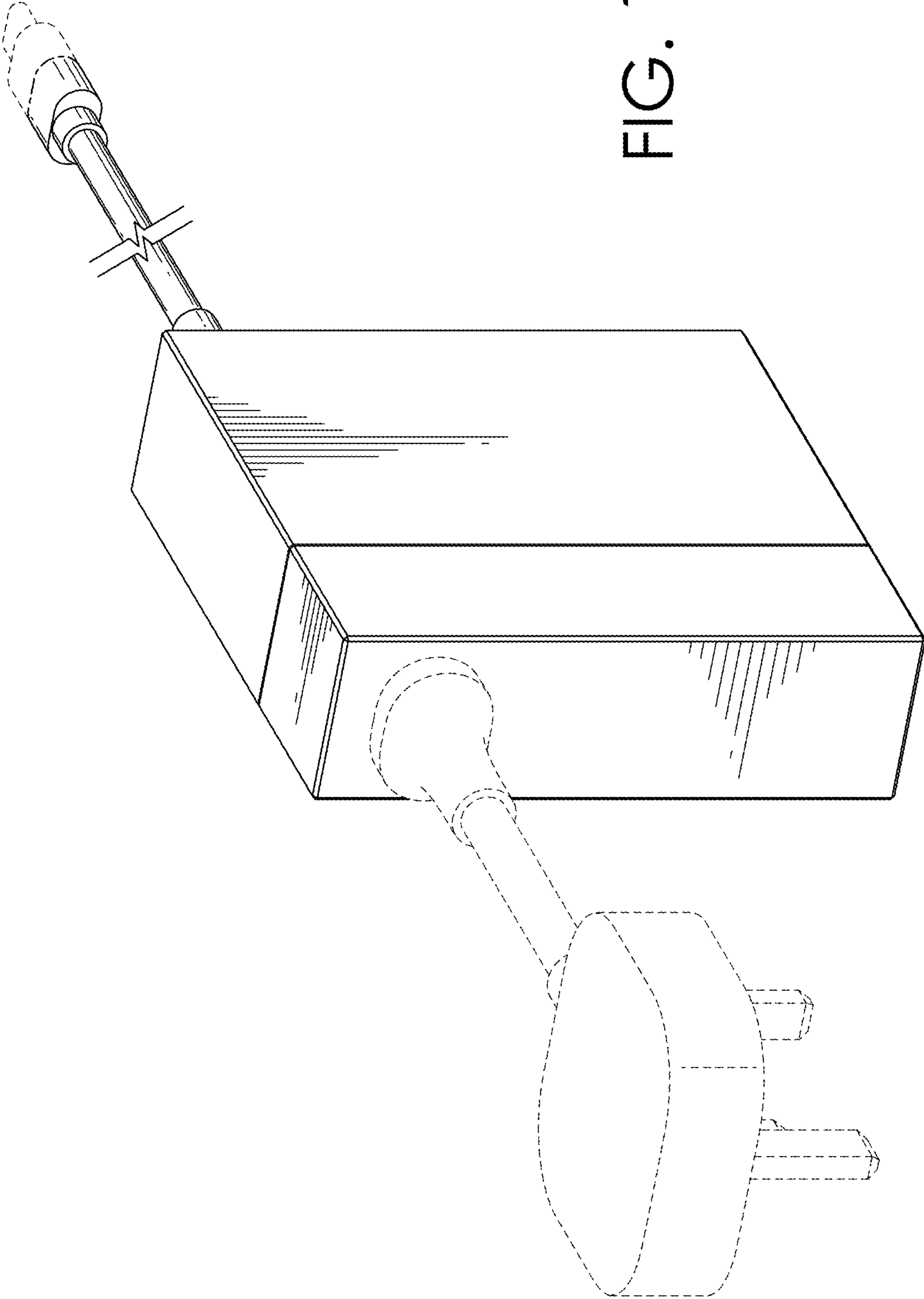


FIG. 11

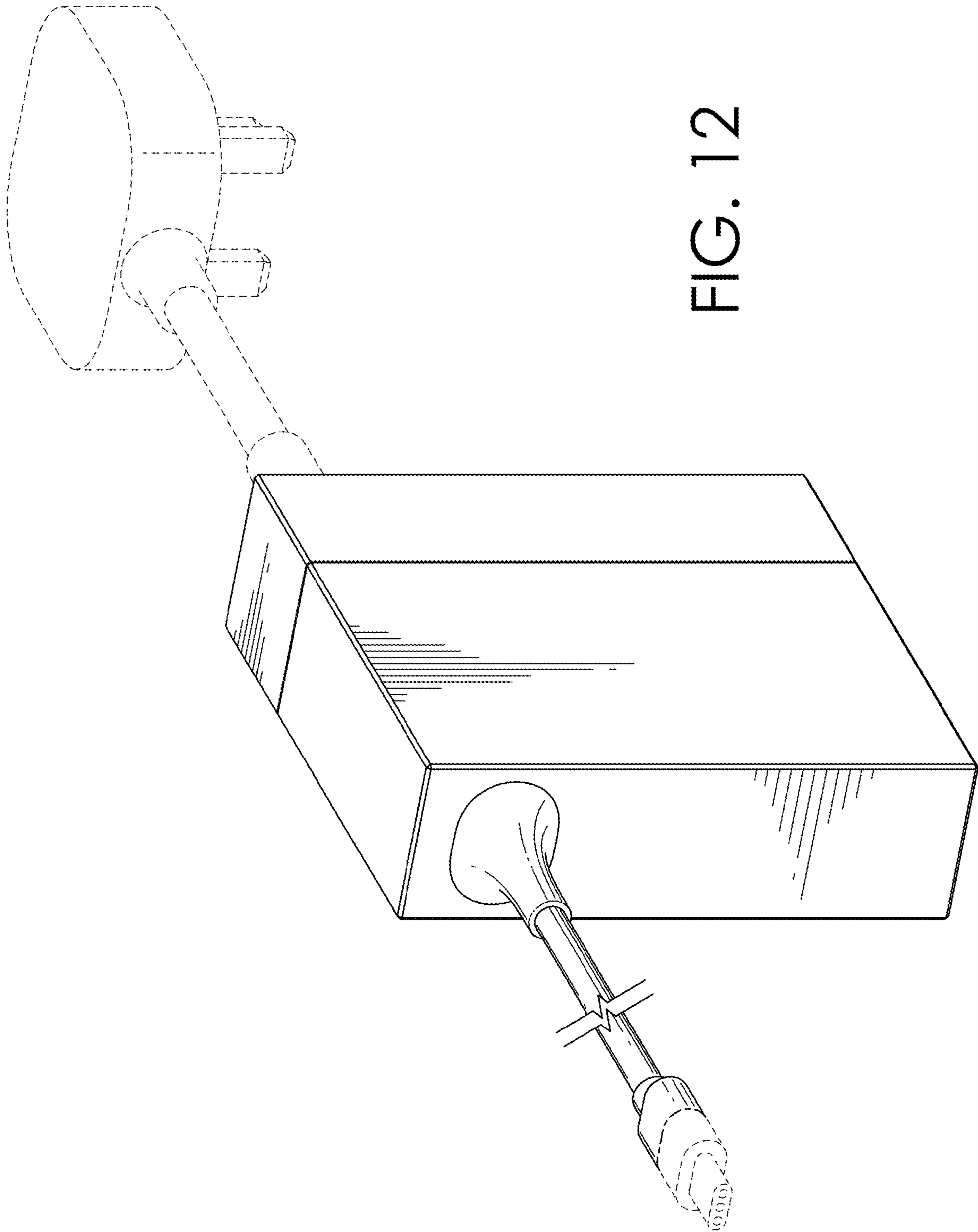


FIG. 12