



US00D978076S

(12) **United States Design Patent** (10) **Patent No.:** **US D978,076 S**
Kim et al. (45) **Date of Patent:** **** Feb. 14, 2023**

(54) **CHARGING STAND EQUIPPED WITH DUST REMOVAL FOR VACUUM CLEANER**

(71) Applicant: **LG ELECTRONICS INC.**, Seoul (KR)

(72) Inventors: **Seongmin Kim**, Seoul (KR); **Jungbae Hwang**, Seoul (KR)

(73) Assignee: **LG ELECTRONICS INC.**, Seoul (KR)

(**) Term: **15 Years**

(21) Appl. No.: **29/768,953**

(22) Filed: **Feb. 2, 2021**

(30) **Foreign Application Priority Data**

Aug. 27, 2020 (KR) 30-2020-0040379

(51) **LOC (14) Cl.** **13-02**

(52) **U.S. Cl.**
USPC **D13/108; D32/31**

(58) **Field of Classification Search**
USPC D13/103, 107, 108, 109, 118, 119, 184, D13/199; D14/251, 252, 253, 432, 433, D14/434, 439, 447; D32/18, 31; D34/7
CPC H02J 15/00; H02J 7/0027; H01M 10/00
See application file for complete search history.

(56) **References Cited**

U.S. PATENT DOCUMENTS

4,670,701 A * 6/1987 Sako A47L 5/24
D32/31
D548,978 S * 8/2007 Vu D6/528
D564,445 S * 3/2008 Stratford D13/108
D636,726 S * 4/2011 Hiramura D13/108
D671,888 S * 12/2012 Dyson D13/108
9,623,690 B2 * 4/2017 Lyman B41J 3/36
D835,576 S * 12/2018 Jenkins D13/108
D835,579 S * 12/2018 Jones, III D13/108
D837,145 S * 1/2019 Nam D13/107

(Continued)

OTHER PUBLICATIONS

“Shark Charging Stand”. Found online May 18, 2022 at sharkclean.com. Reference dated Jul. 21, 2017. Retrieved from https://tineye.com/search/e8393ce7166d2dc46765f918e448fa55a2689bf9?sort=crawl_date&order=asc&page=1. (Year: 2017).*

(Continued)

Primary Examiner — Kendra Leslie Hamilton

Assistant Examiner — Amanda Christensen

(74) *Attorney, Agent, or Firm* — Birch, Stewart, Kolasch & Birch, LLP

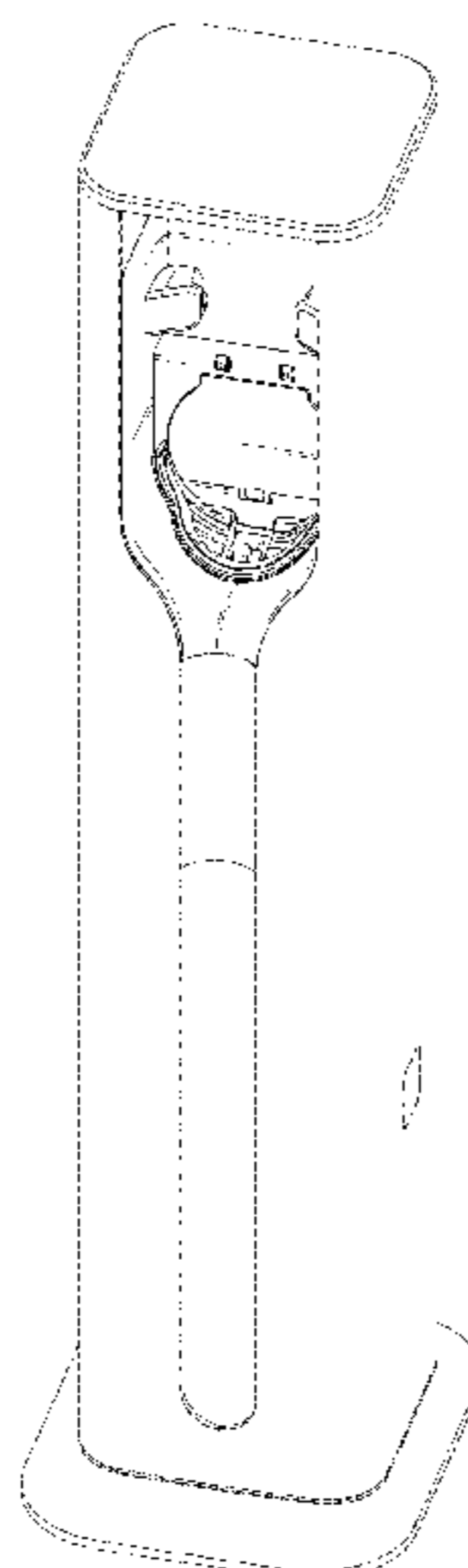
(57) **CLAIM**

We claim the ornamental design for a charging stand equipped with dust removal for vacuum cleaner, as shown and described.

DESCRIPTION

FIG. 1 is a top, front, right side perspective view of a charging stand equipped with dust removal for vacuum cleaner, showing our new design;
FIG. 2 is a front elevation view thereof;
FIG. 3 is a rear elevation view thereof;
FIG. 4 is a left-side elevation view thereof;
FIG. 5 is a right-side elevation view thereof;
FIG. 6 is a top plan view thereof;
FIG. 7 is a bottom plan view thereof;
FIG. 8 is a top, front, right side perspective view thereof; and,
FIG. 9 is a top, front, right side perspective view of detail “9” identified in FIG. 8, shown enlarged for clarity of disclosure.
The broken lines in the drawings depict portions of the charging stand equipped with dust removal for vacuum cleaner that form no part of the claimed design. The dash-dot-dash lines define the boundaries of the claim.

1 Claim, 9 Drawing Sheets



(56)

References Cited

U.S. PATENT DOCUMENTS

D884,620 S * 5/2020 Burchard D13/108
D948,822 S * 4/2022 Kim D32/31
2019/0155296 A1* 5/2019 Moore H02J 7/0045
2019/0351567 A1* 11/2019 Stegmann H02J 7/0044

OTHER PUBLICATIONS

“Dyson Vacuum Battery Docking Station”. Found online Jun. 22, 2022 at ebay.com. Reference dated May 18, 2018. Retrieved from <https://www.ebay.com/itm/311954461800>. (Year: 2018).*

“MagLite Rechargeable Charger”. Found online May 18, 2022 at amazon.com. Reference dated Jun. 23, 2019. Retrieved from <https://www.amazon.com/MagLite-Acc-Charger-M1150S-ML150-A2015/dp/B07WNYRND4>. (Year: 2019).*

* cited by examiner

FIG. 1

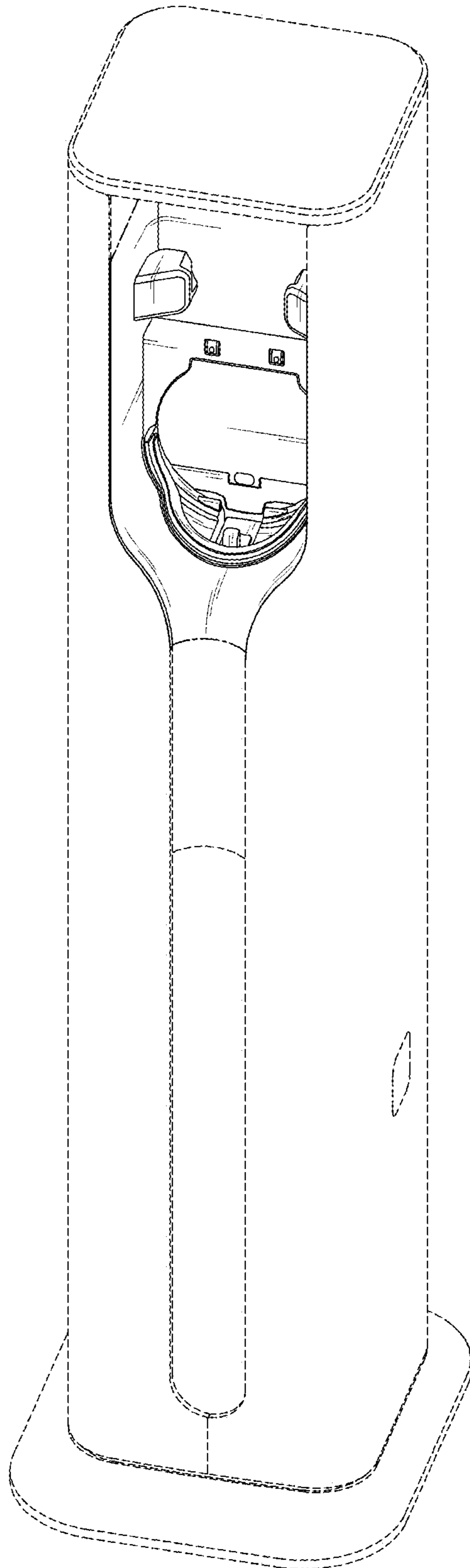


FIG. 2

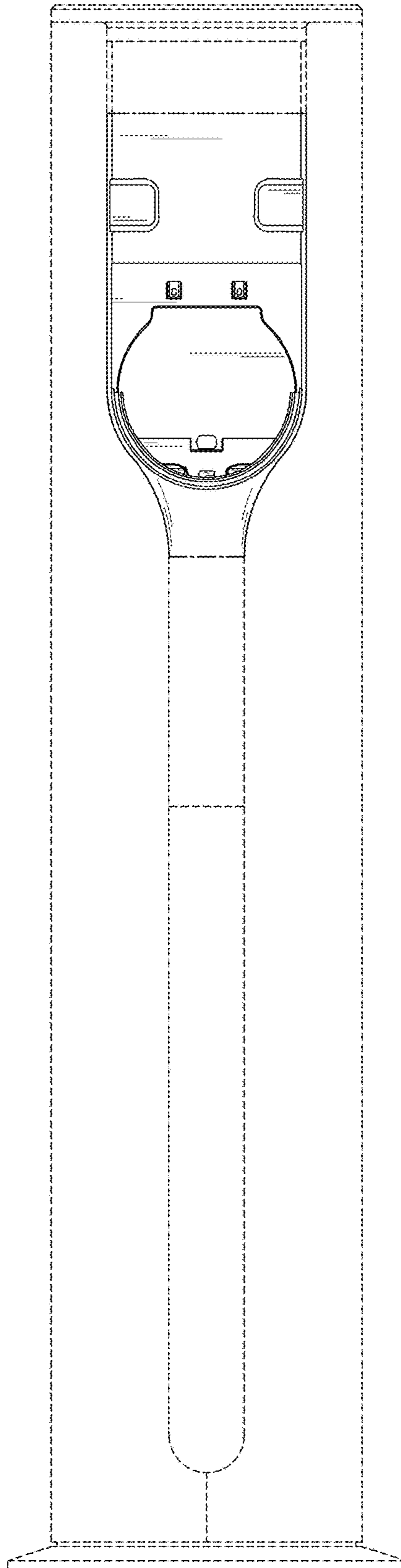


FIG. 3

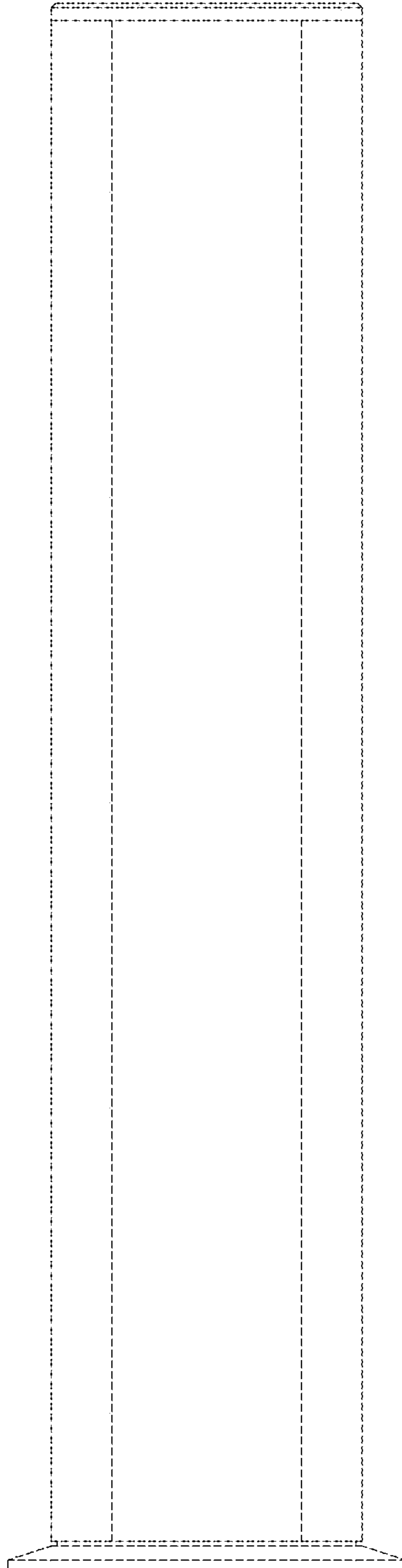


FIG. 4

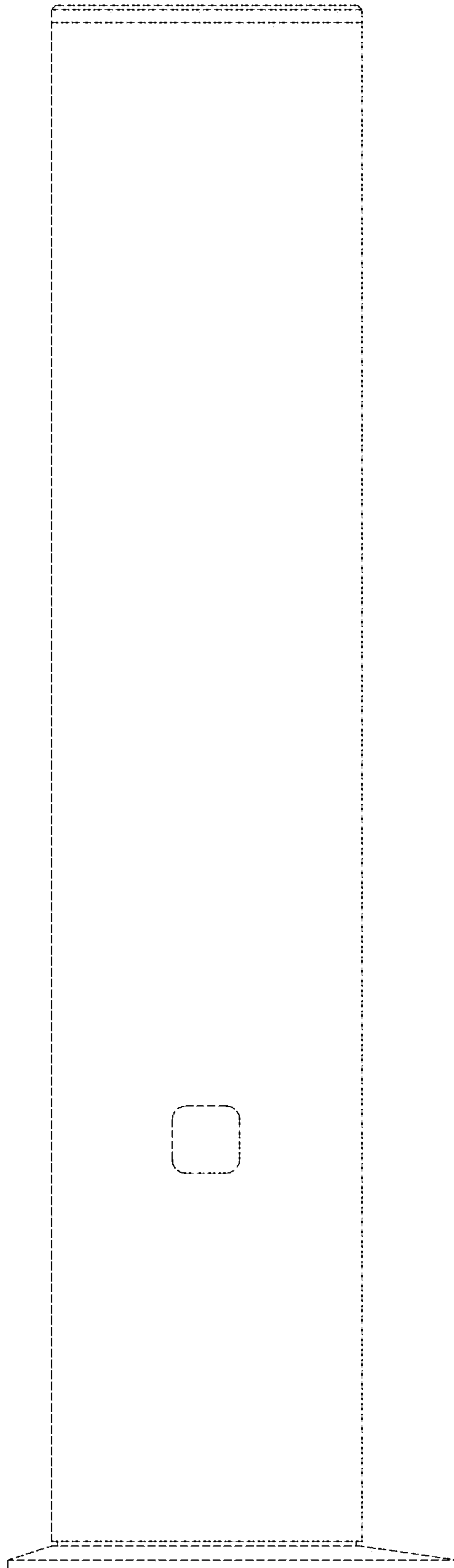


FIG. 5

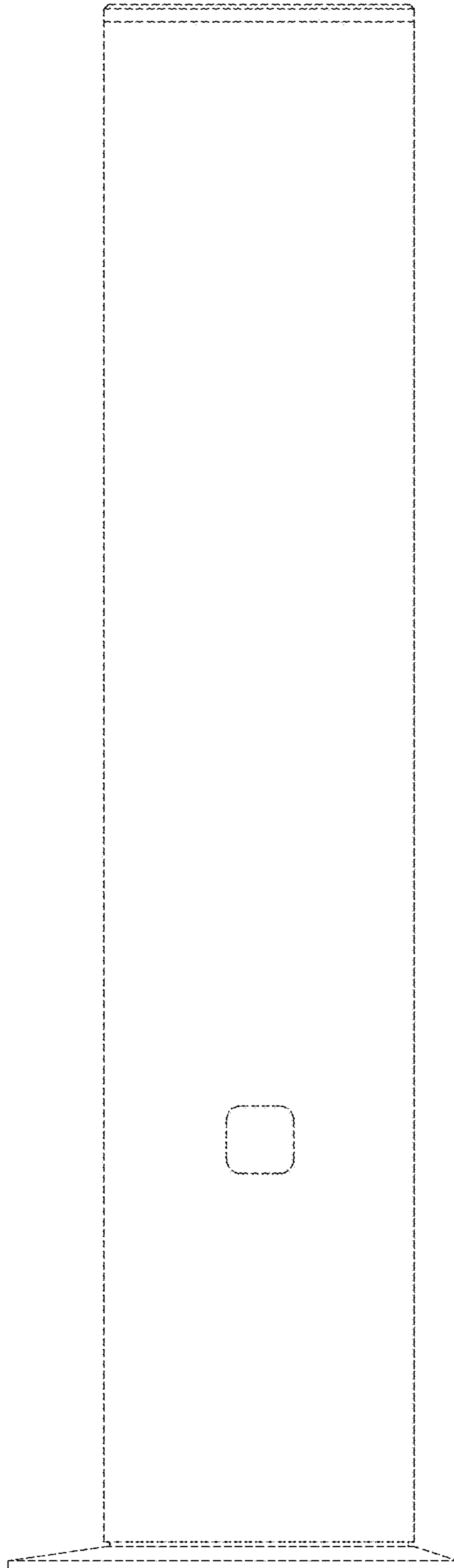


FIG. 6

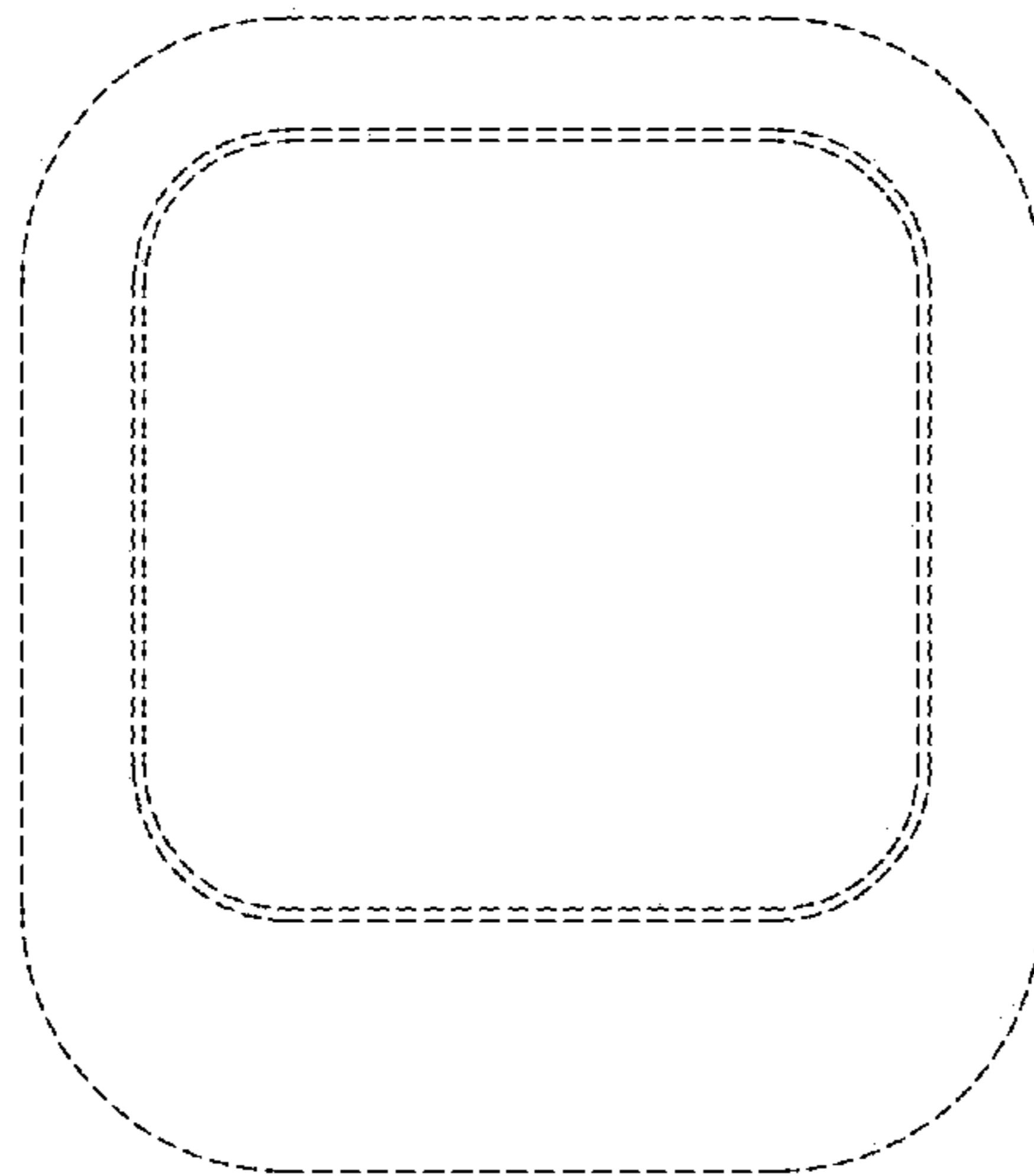


FIG. 7

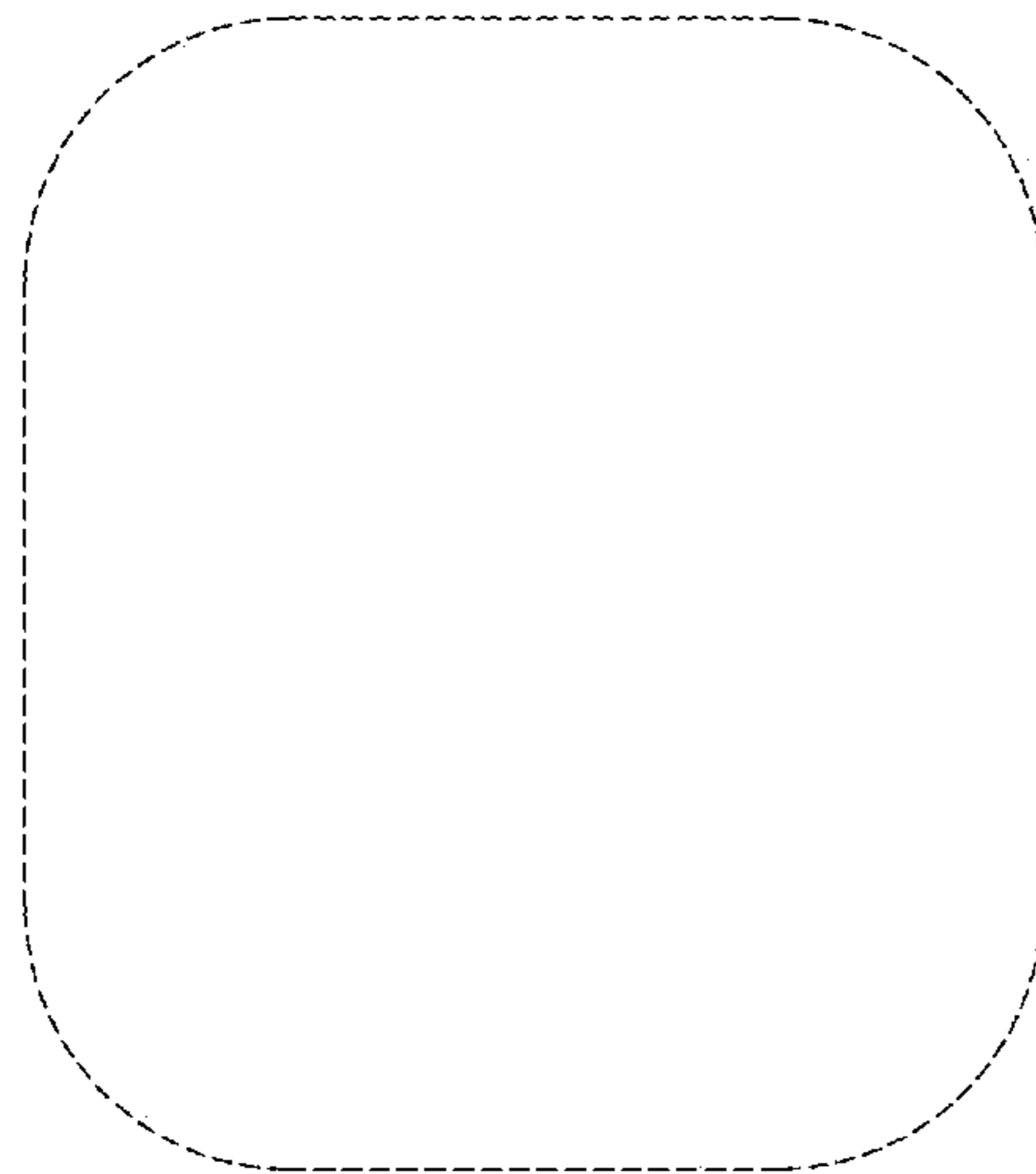


FIG. 8

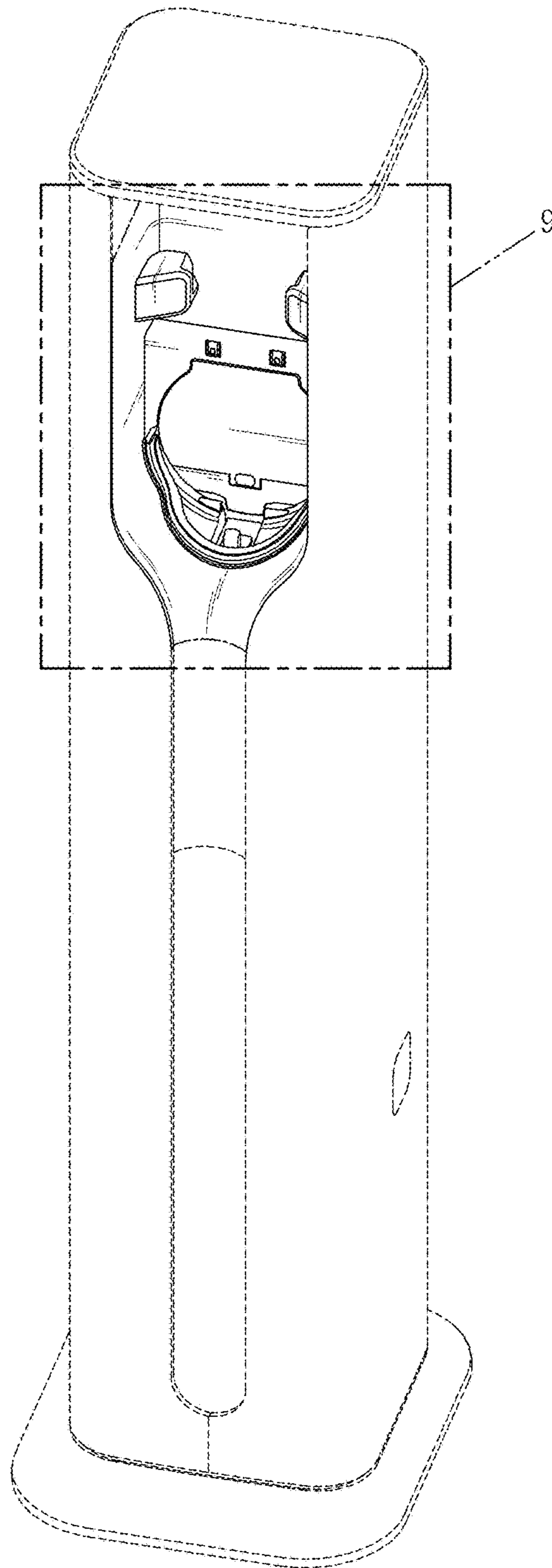


FIG. 9

