



US00D978075S

(12) **United States Design Patent** (10) **Patent No.:** **US D978,075 S**
Zhou (45) **Date of Patent:** **** Feb. 14, 2023**

(54) **CHARGING CASE**

FOREIGN PATENT DOCUMENTS

(71) Applicant: **SHENZHEN BAIFAN TECHNOLOGY CO., LTD.**, Shenzhen (CN)

CN 201830357918 * 2/2019

(72) Inventor: **Wenjie Zhou**, Kaifeng (CN)

OTHER PUBLICATIONS

(73) Assignee: **SHENZHEN BAIFAN TECHNOLOGY CO., LTD.**, Shenzhen (CN)

“Bluedio Wireless Headphones”. Found online Sep. 27, 2022 at amazon.com. Reference dated Nov. 18, 2019. Retrieved from https://www.amazon.com/Bluetooth-Bluedio-Headphones-Earphones-Indicator/dp/B081N9Q79J. (Year: 2019).*

(**) Term: **15 Years**

“Anker Soundcore Liberty Air 2 Wireless Earbuds”. Found online Jul. 26, 2021 at amazon.com. Reference dated Sep. 4, 2019. Retrieved from https://www.amazon.com/Soundcore-Bluetooth-Earphones-Personalized-Cancelling/dp/B07X8VJMLN?th=1. (Year: 2019).*

(21) Appl. No.: **29/766,761**

(Continued)

(22) Filed: **Jan. 19, 2021**

(51) **LOC (14) Cl.** **13-02**

Primary Examiner — Kendra Leslie Hamilton

(52) **U.S. Cl.**

Assistant Examiner — Amanda Christensen

USPC **D13/108**; D3/294

(74) *Attorney, Agent, or Firm* — Justin Lampel

(58) **Field of Classification Search**

USPC D13/103, 107, 108, 118, 119, 199;
D3/201, 218, 273, 276, 294, 295, 299;
D14/205, 223, 240, 432, 434, 439
CPC . A45C 2011/001; B65D 43/16; H04R 1/1025
See application file for complete search history.

(57) **CLAIM**

The ornamental design for a charging case, as shown and described.

(56) **References Cited**

DESCRIPTION

U.S. PATENT DOCUMENTS

D881,572 S *	4/2020	Wang	D3/294
D893,184 S *	8/2020	Liu	D3/294
10,764,699 B1 *	9/2020	Rule	G10K 11/17823
D897,678 S *	10/2020	Koh	D3/294
D918,138 S *	5/2021	Ma	D13/108
D927,417 S *	8/2021	Sretovic	D13/108
D927,465 S *	8/2021	Wang	D14/223
D935,772 S *	11/2021	Chen	D3/294
D941,762 S *	1/2022	Ye	D13/108
D951,258 S *	5/2022	Lorsold	D14/440
D956,418 S *	7/2022	Birger	D13/108
2021/0345031 A1 *	11/2021	DeMaio	H04R 1/1016
2022/0209585 A1 *	6/2022	Chen	H04R 1/1025

FIG. 1 is a perspective view of a charging case showing my new design;

FIG. 2 is another perspective view thereof;

FIG. 3 is a front elevational view thereof;

FIG. 4 is a rear elevational view thereof;

FIG. 5 is a left side elevational view thereof;

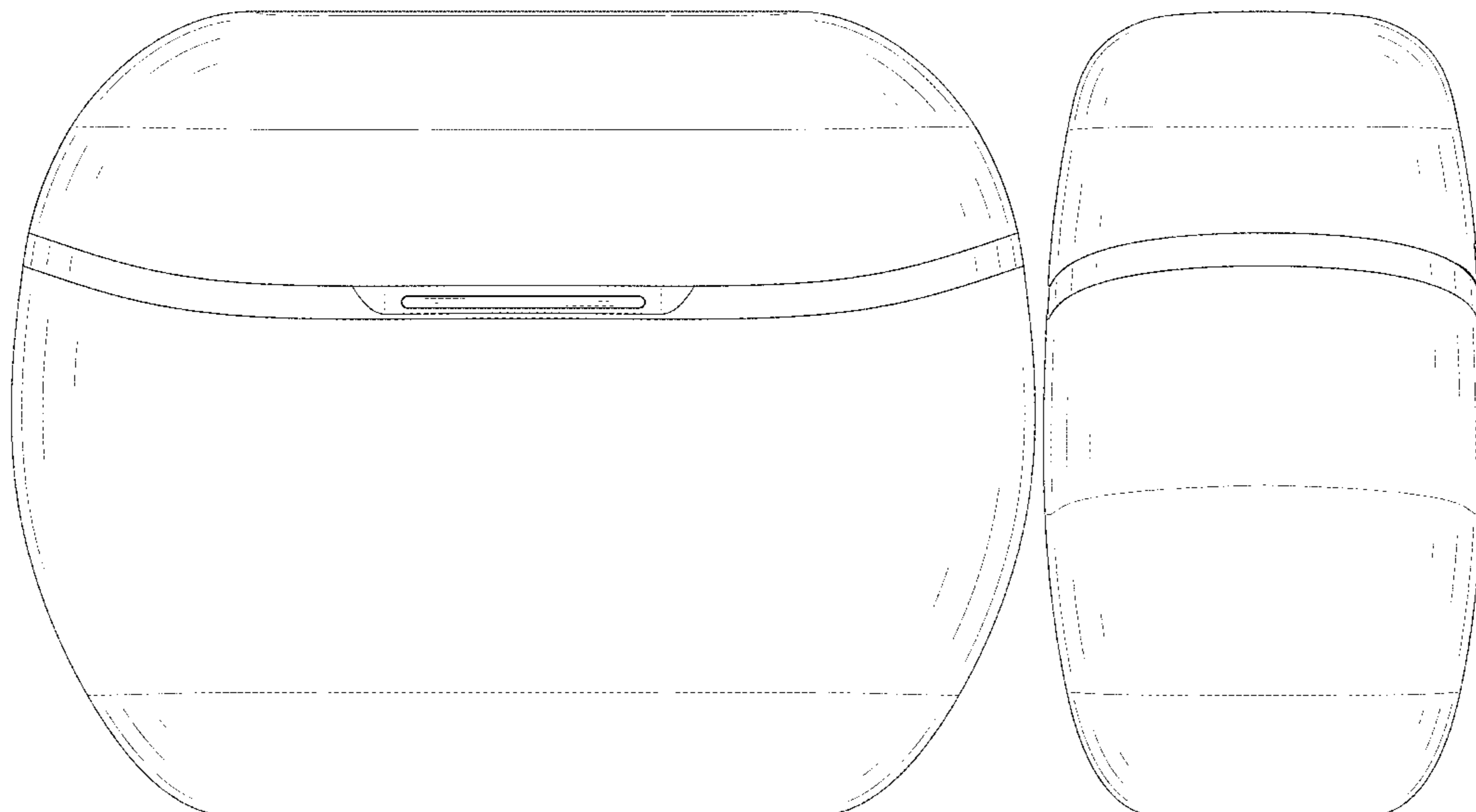
FIG. 6 is a right side elevational view thereof;

FIG. 7 is a top plan view thereof; and,

FIG. 8 is a bottom plan view thereof.

The broken lines in the drawings depict portions of the charging case that form no part of the claimed design.

1 Claim, 8 Drawing Sheets



(56)

References Cited

OTHER PUBLICATIONS

“Liberty charging case”. Found online Sep. 27, 2022 at xdconnects.com. Reference dated Oct. 3, 2019. Retrieved from https://tineye.com/search/79a038efc10bc3625093eea0cd68e3e51ac03b43?sort=crawl_date&order=asc&page=1. (Year: 2019).*

* cited by examiner

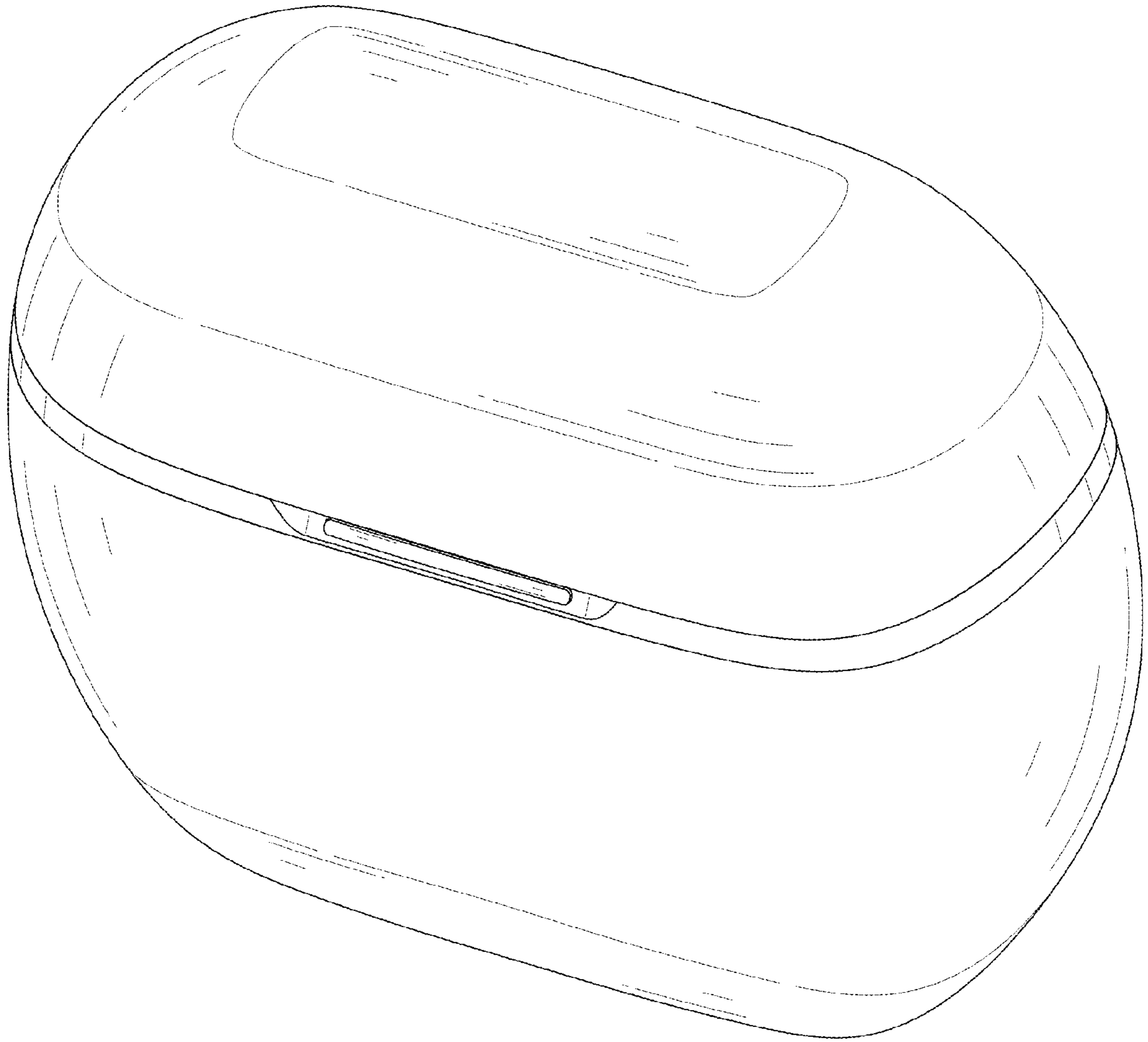


FIG. 1

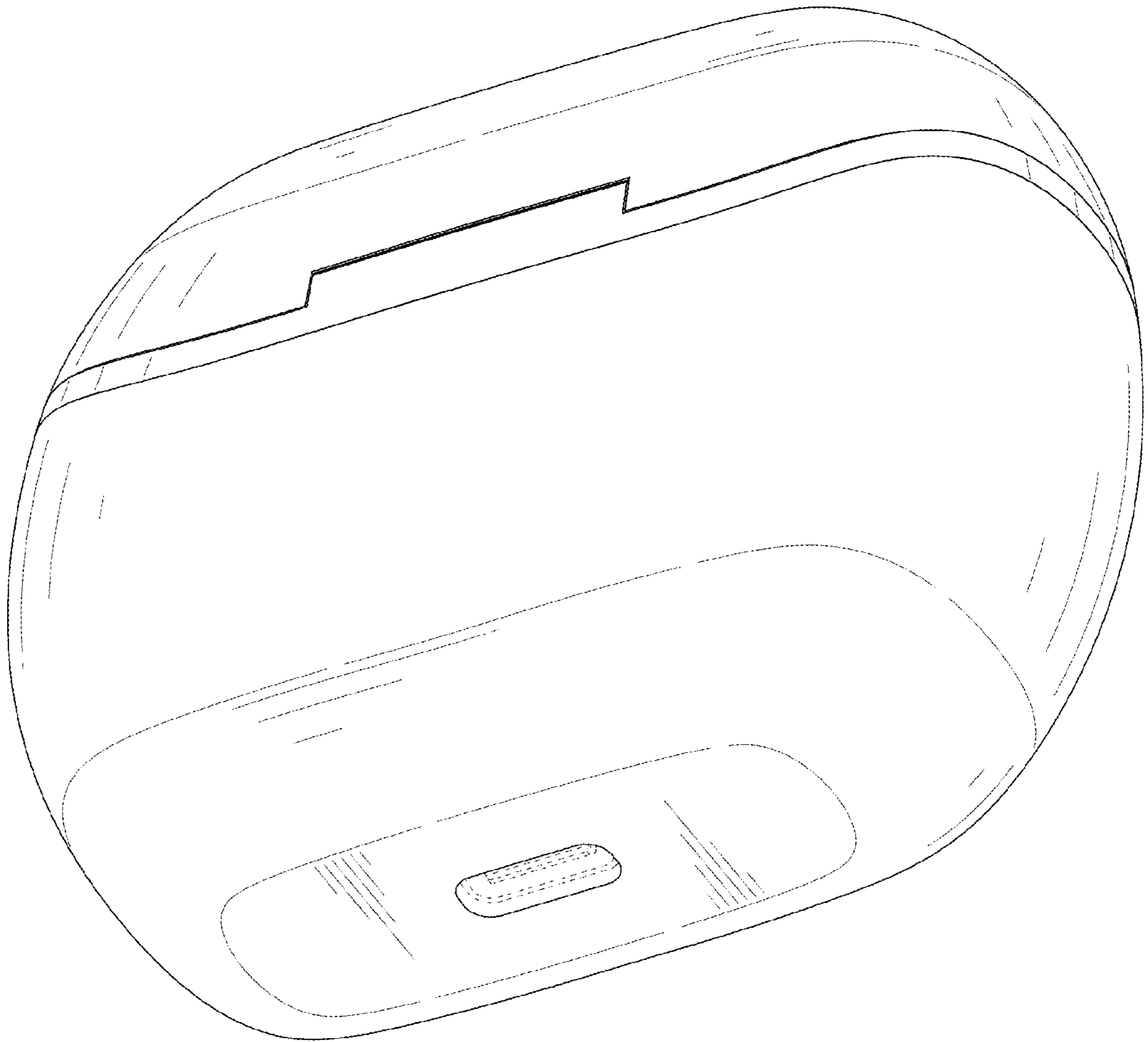


FIG. 2

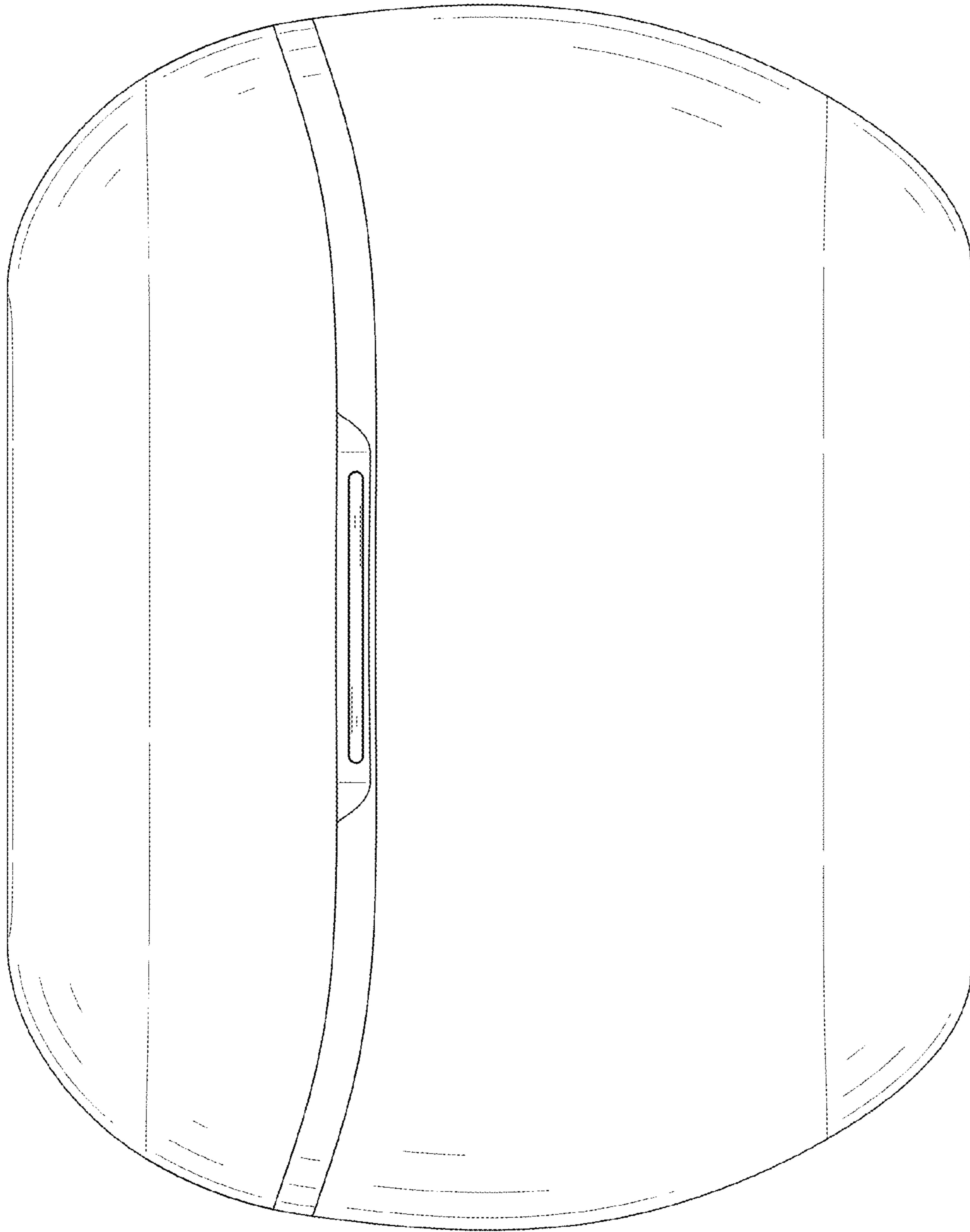


FIG. 3

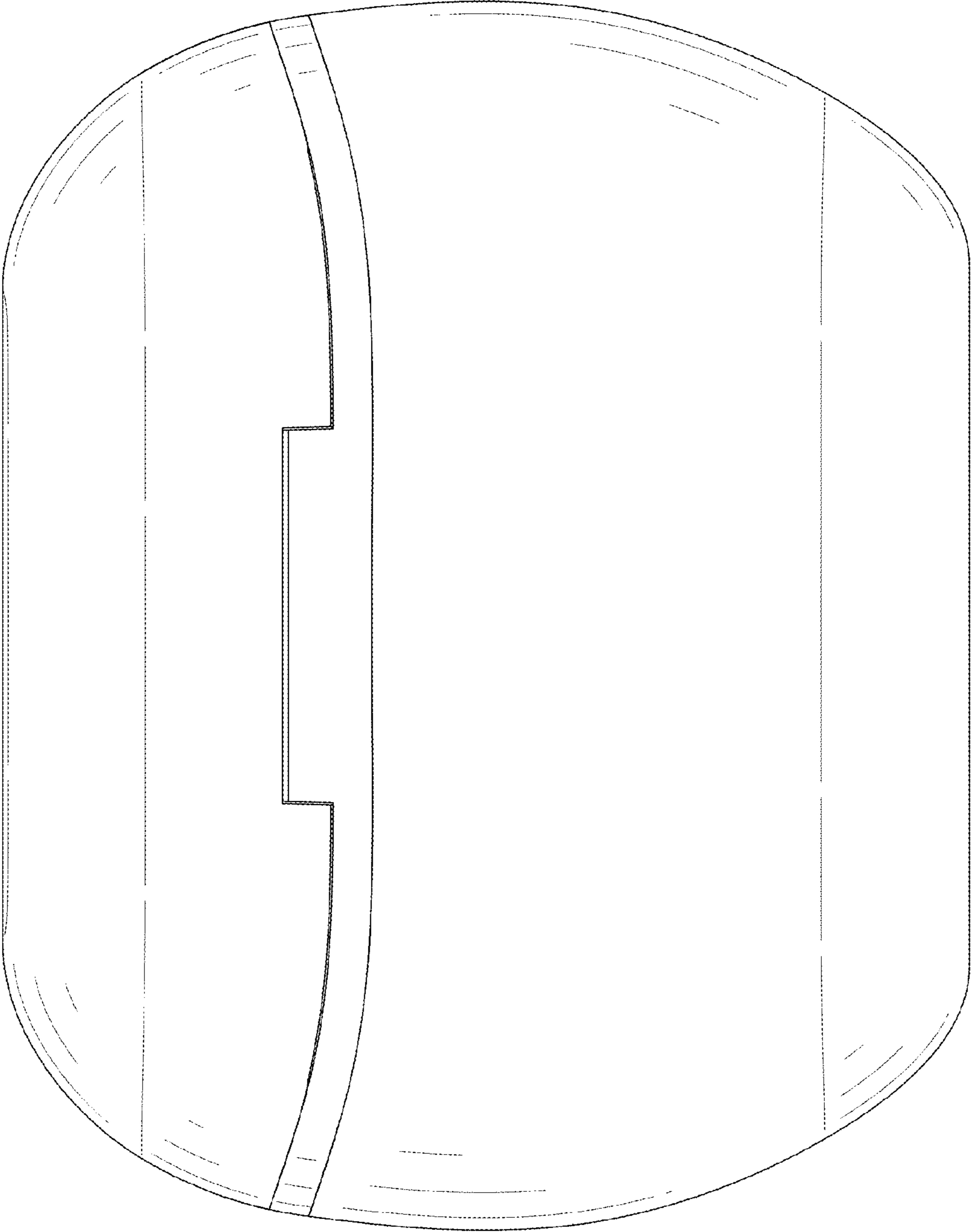


FIG. 4

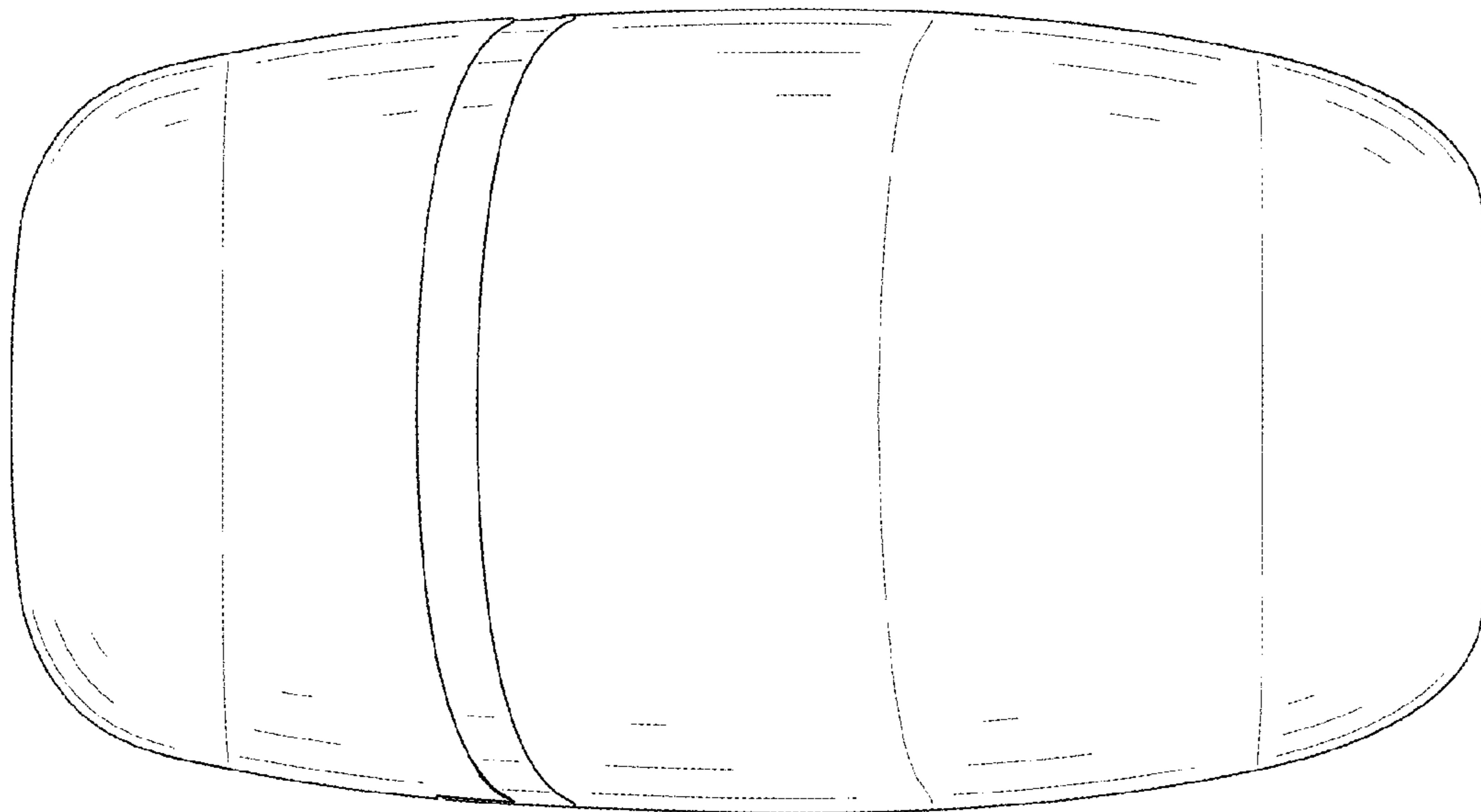


FIG. 5

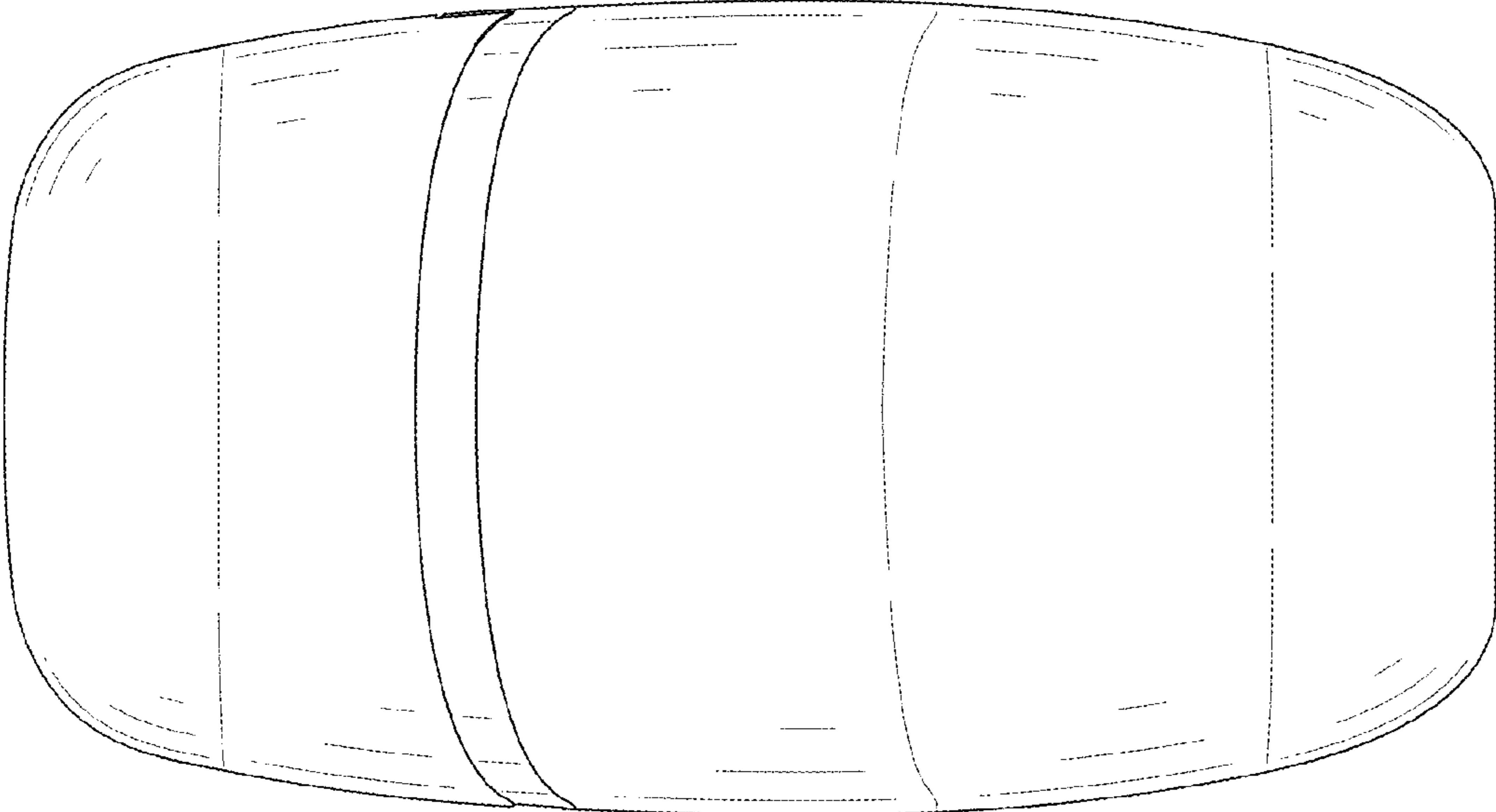


FIG. 6

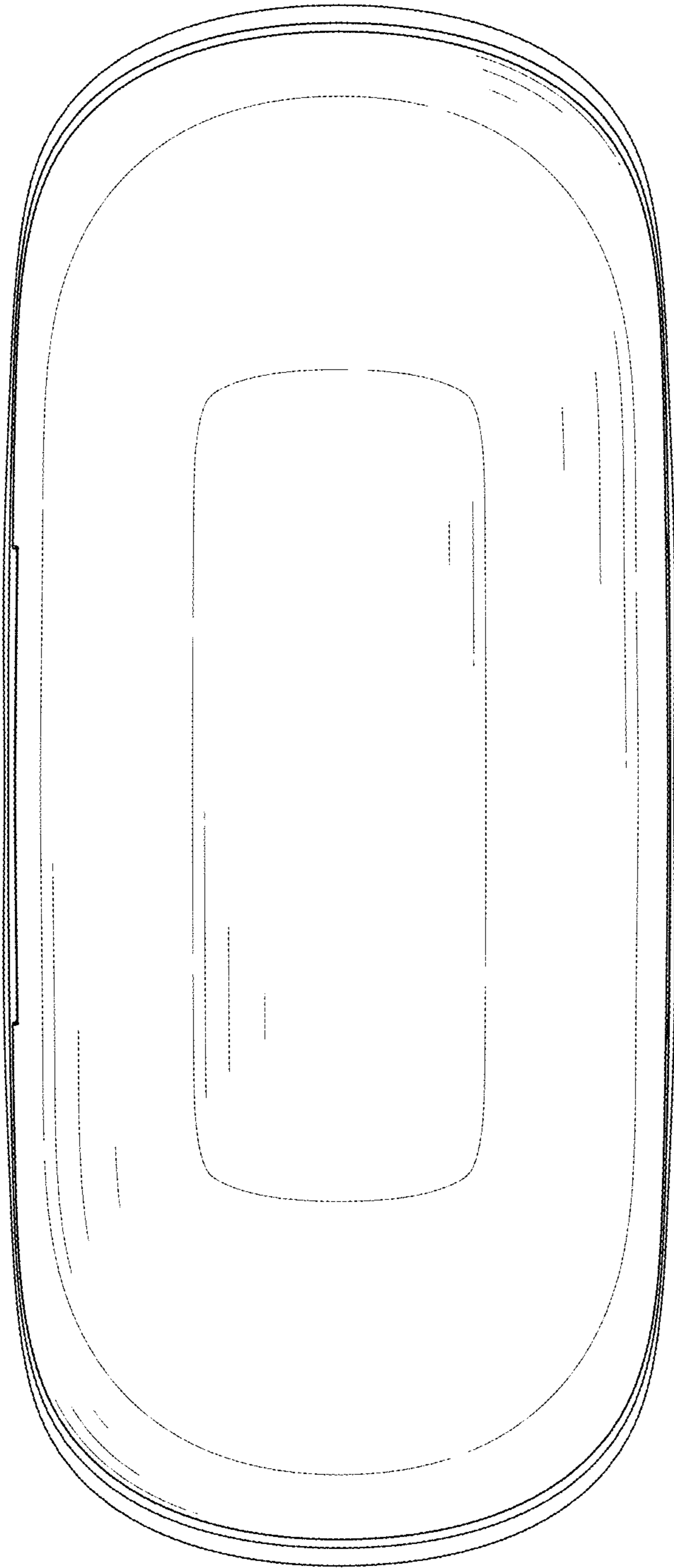


FIG. 7

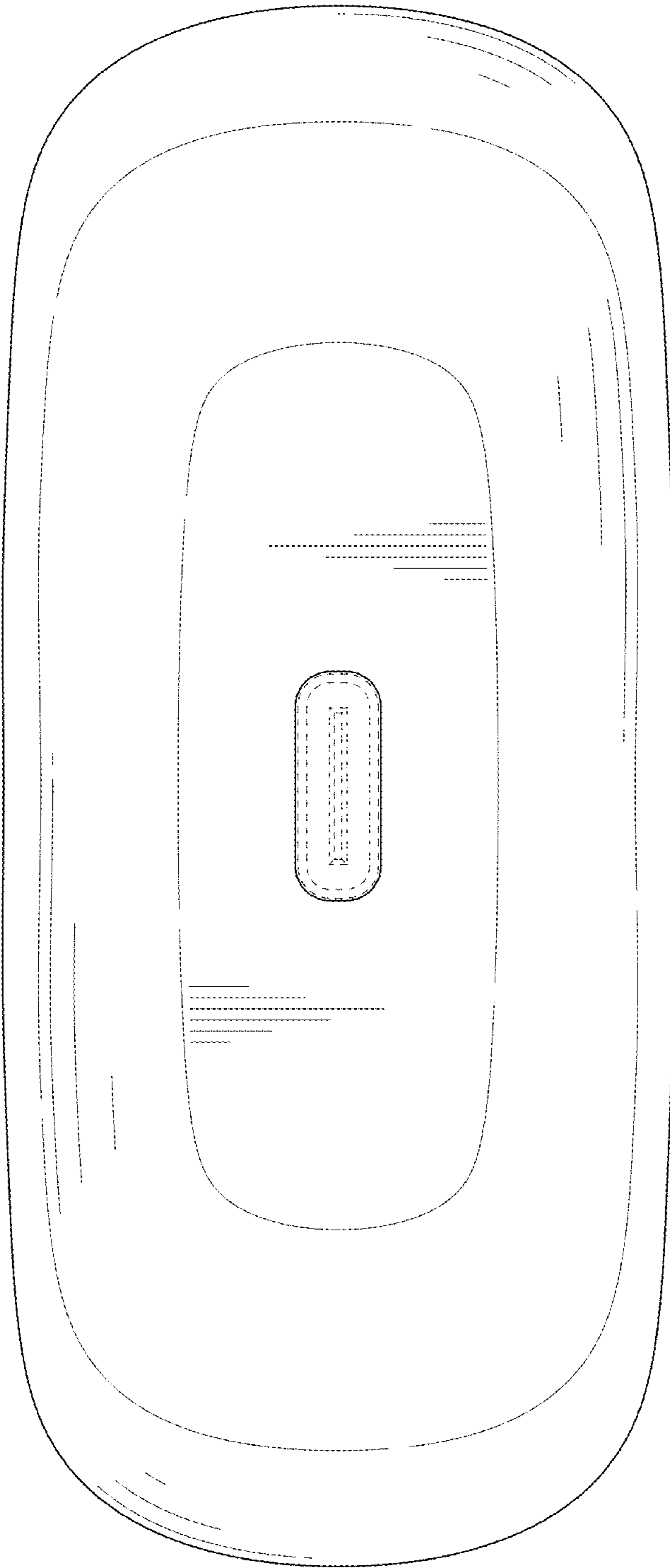


FIG. 8