



US00D978074S

(12) **United States Design Patent** (10) **Patent No.:** **US D978,074 S**  
**Kivelä et al.** (45) **Date of Patent:** **\*\* Feb. 14, 2023**

(54) **CHARGER FOR A DEVICE FOR MONITORING AND CONTROLLING PERSONAL LIFESTYLE**

(71) Applicant: **OURA HEALTH OY**, Oulu (FI)  
(72) Inventors: **Kari Kivelä**, Helsinki (FI); **Mikko Latomäki**, Helsinki (FI)  
(73) Assignee: **Oura Health Oy**, Oulu (FI)  
(\*\*) Term: **15 Years**  
(21) Appl. No.: **29/734,496**  
(22) Filed: **May 13, 2020**

**Related U.S. Application Data**

(62) Division of application No. 29/649,333, filed on May 29, 2018, now Pat. No. Des. 884,502.

(30) **Foreign Application Priority Data**

Nov. 29, 2017 (EM) ..... 004527950-0001  
Nov. 29, 2017 (EM) ..... 004527950-0002  
Nov. 29, 2017 (EM) ..... 004527950-0003  
Nov. 29, 2017 (EM) ..... 004527950-0004

(51) **LOC (14) Cl.** ..... **13-02**  
(52) **U.S. Cl.**  
USPC ..... **D13/107**

(58) **Field of Classification Search**  
USPC ..... D13/107-108, 110, 118-119, 184, 199;  
D14/251, 253, 432-434, 447  
CPC .... H02J 7/025; H02J 7/005; H02J 7/02; H02J  
7/0026; H02J 7/0042; H02J 7/0044; H02J  
7/0045; H02J 7/13; H02J 7/0003  
See application file for complete search history.

(56) **References Cited**

U.S. PATENT DOCUMENTS

D300,678 S \* 4/1989 Barrault ..... D13/108  
D467,539 S \* 12/2002 Kataoka ..... D13/108  
D682,198 S \* 5/2013 Vu ..... D4/199  
D749,504 S \* 2/2016 Jeong ..... D13/108  
D791,700 S \* 7/2017 Loewen ..... D13/108  
D796,434 S \* 9/2017 Li ..... D13/108  
D798,808 S \* 10/2017 Ptok ..... D13/108  
D839,189 S \* 1/2019 Miller ..... D13/103  
D870,663 S \* 12/2019 Schubert ..... D13/108  
D870,665 S \* 12/2019 Schubert ..... D13/108  
D884,624 S \* 5/2020 Lei ..... D13/108  
D886,052 S \* 6/2020 Albay ..... D13/108  
D893,420 S \* 8/2020 Xiao ..... D13/108  
D893,421 S \* 8/2020 Xiao ..... D13/108  
D894,122 S \* 8/2020 Ye ..... D13/108  
D904,981 S \* 12/2020 Worthy ..... D13/110  
D913,222 S \* 3/2021 Albay ..... D13/108  
D917,390 S \* 4/2021 Tung ..... D13/108  
D921,584 S \* 6/2021 Bournique ..... D13/108  
D932,429 S \* 10/2021 Tham ..... D13/108

\* cited by examiner

*Primary Examiner* — Rosemary K Tarcza

(74) *Attorney, Agent, or Firm* — Holland & Hart LLP

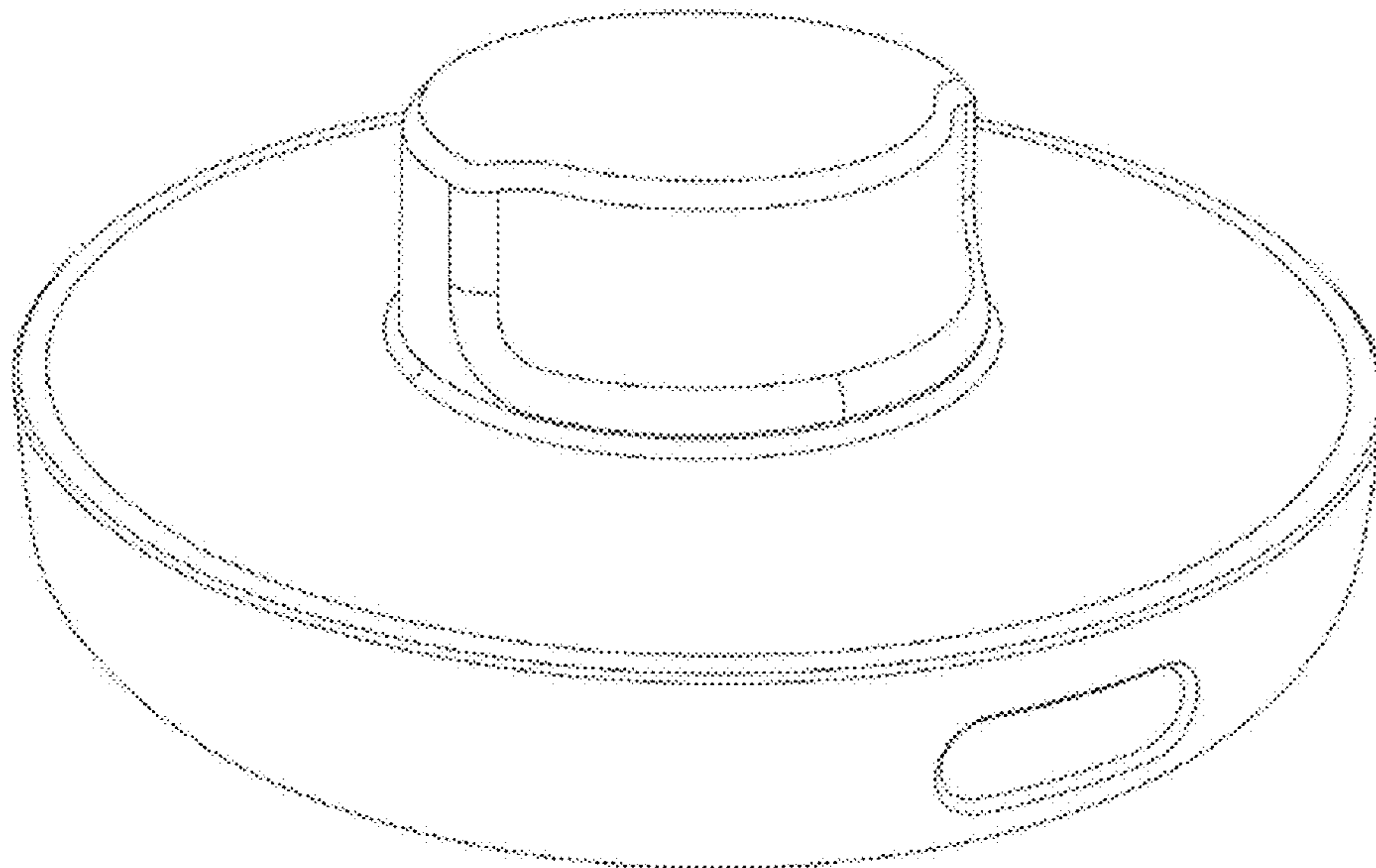
(57) **CLAIM**

The ornamental design for a charger for a device for monitoring and controlling personal lifestyle, as shown and described.

**DESCRIPTION**

FIG. 1 is a perspective view of a charger for a device for monitoring and controlling personal lifestyle showing the new design;  
FIG. 2 is a back view thereof;  
FIG. 3 is a front view thereof;  
FIG. 4 is a top view thereof;  
FIG. 5 is a bottom view thereof;  
FIG. 6 is a right side view thereof; and,  
FIG. 7 is a left side view thereof.

**1 Claim, 7 Drawing Sheets**



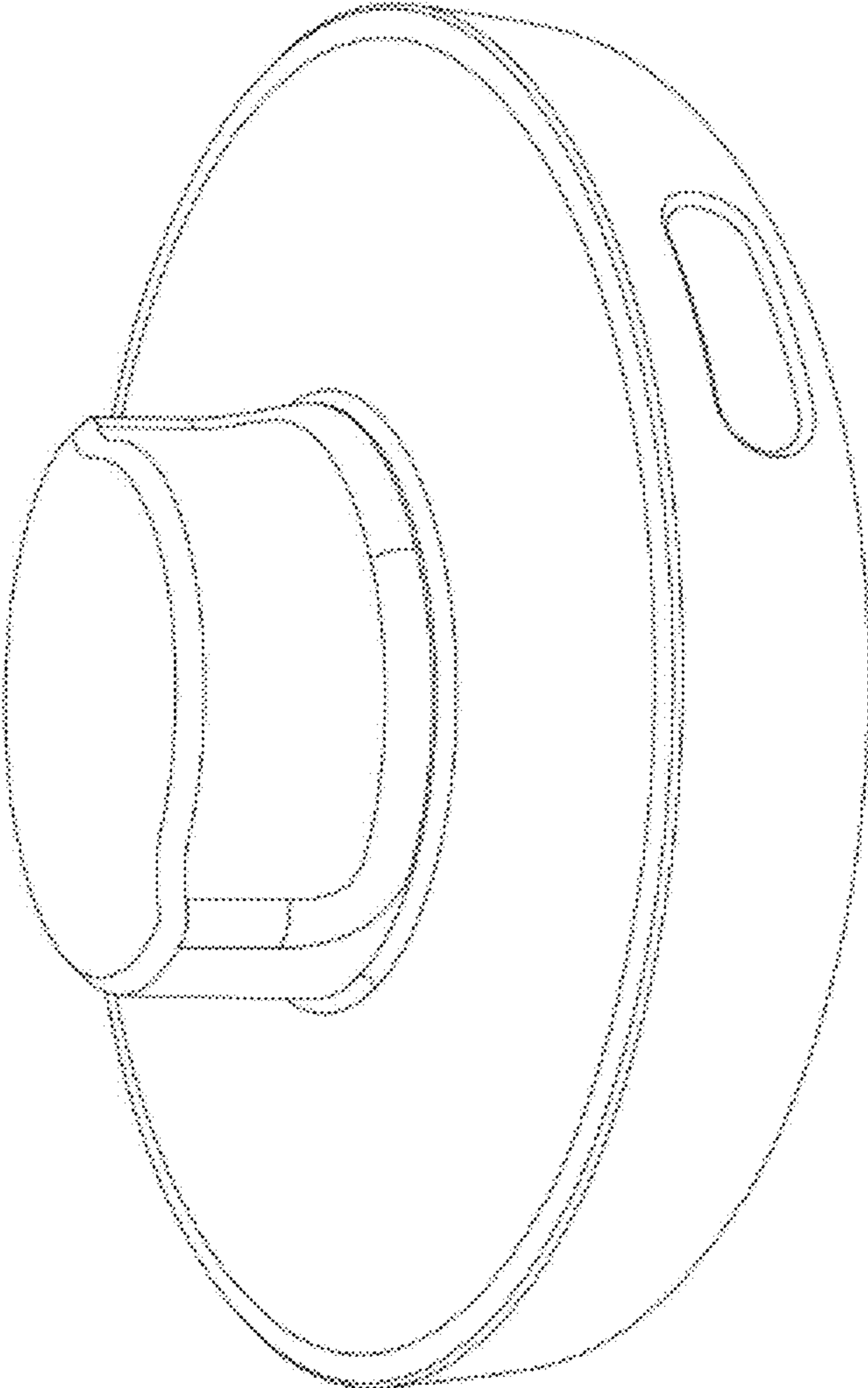


FIG. 1

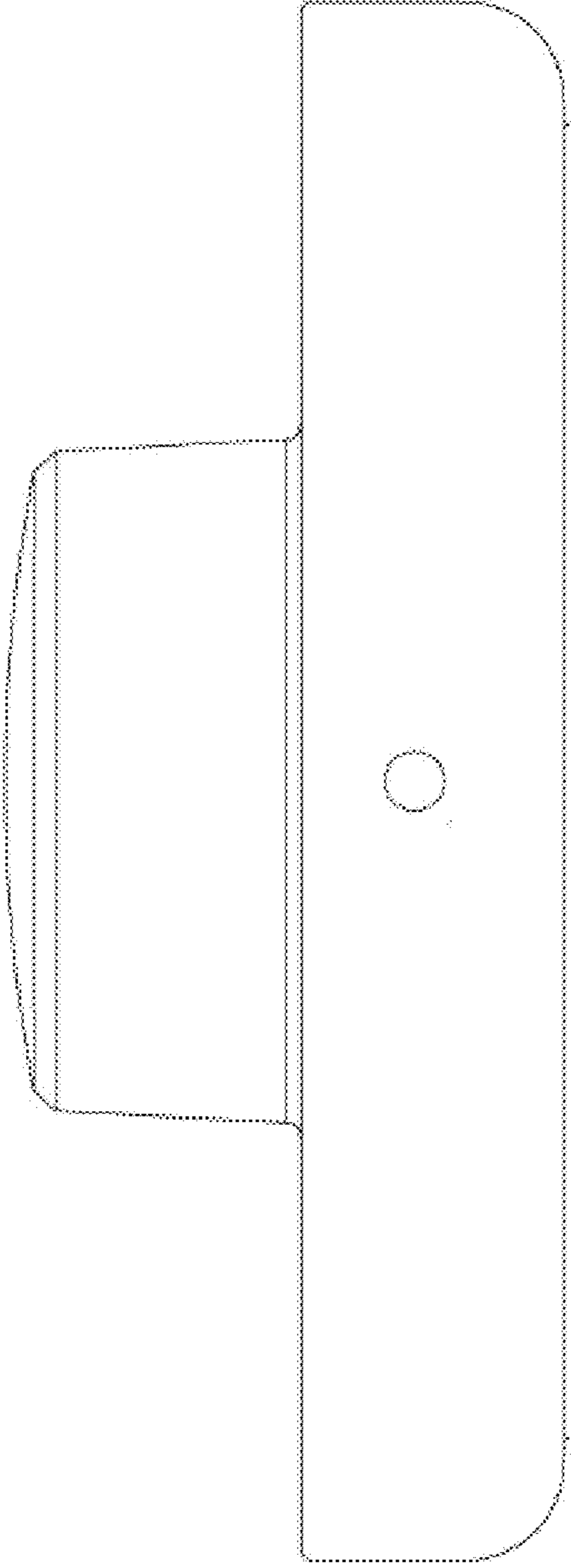


FIG. 2

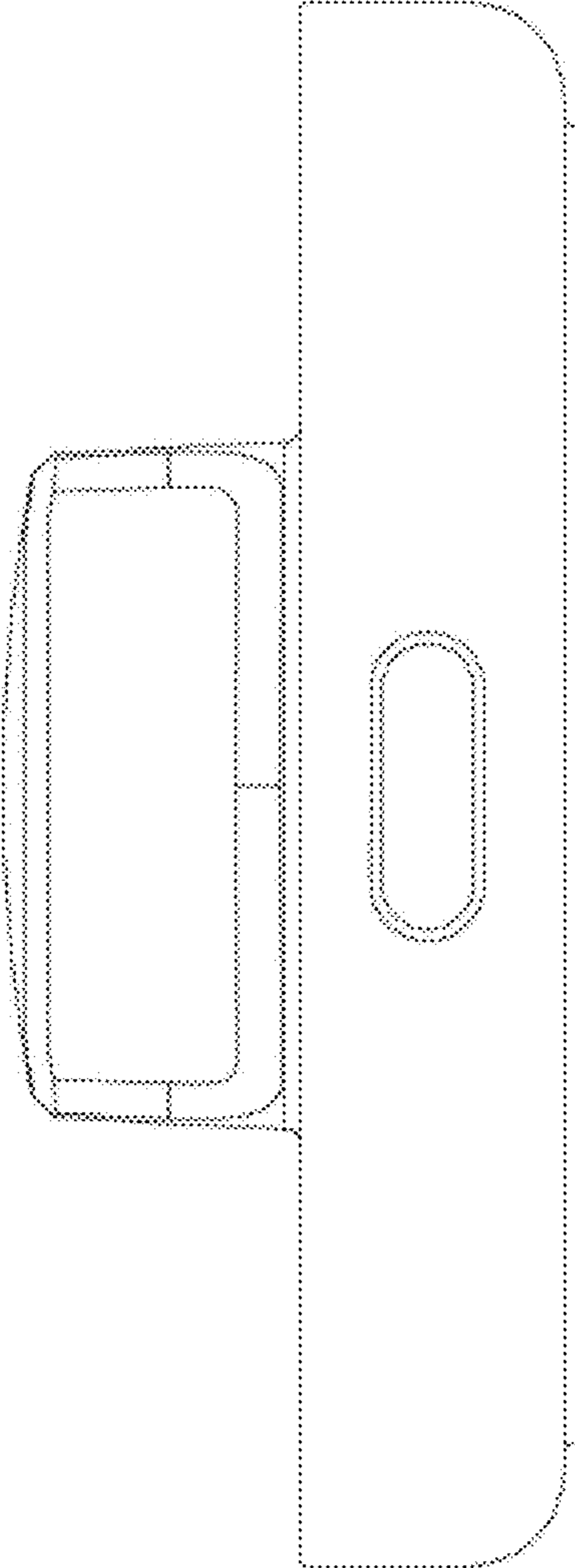


FIG. 3

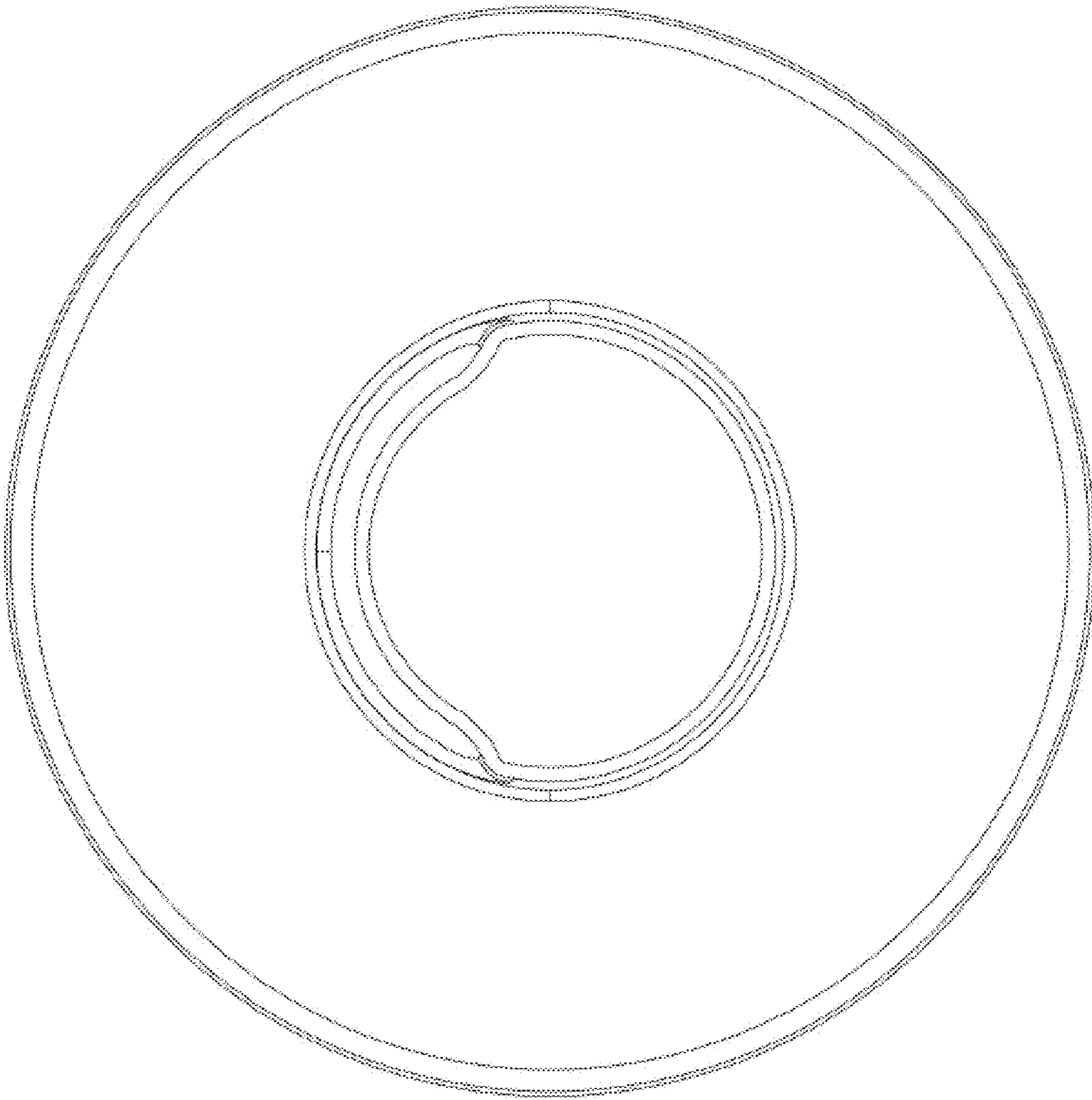


FIG. 4

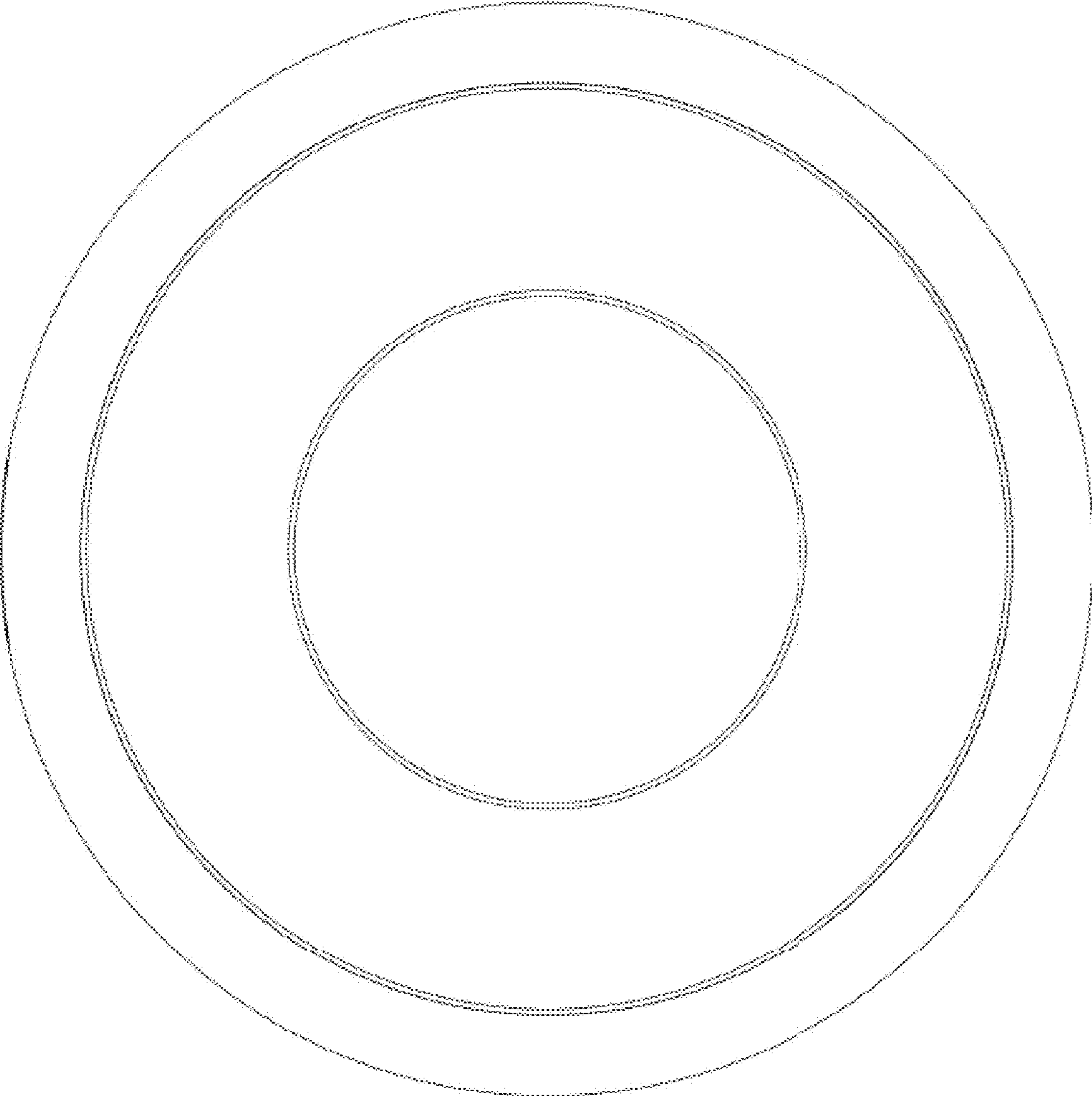


FIG. 5

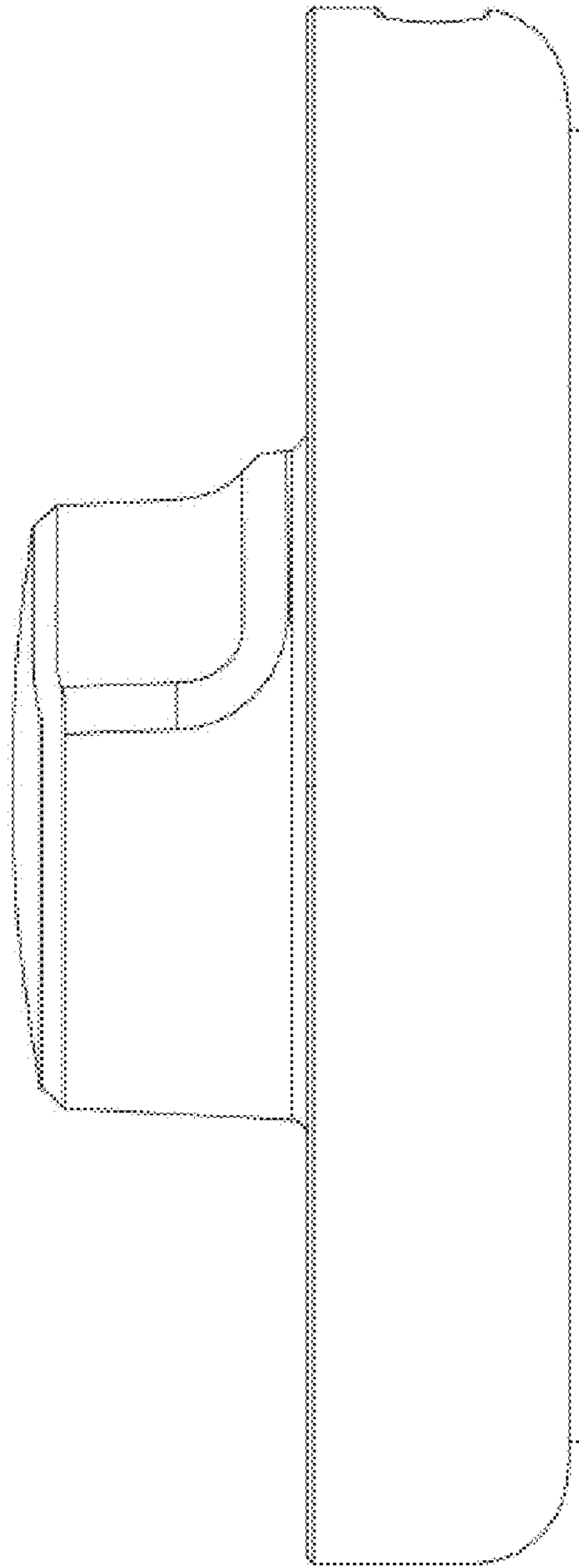


FIG. 6

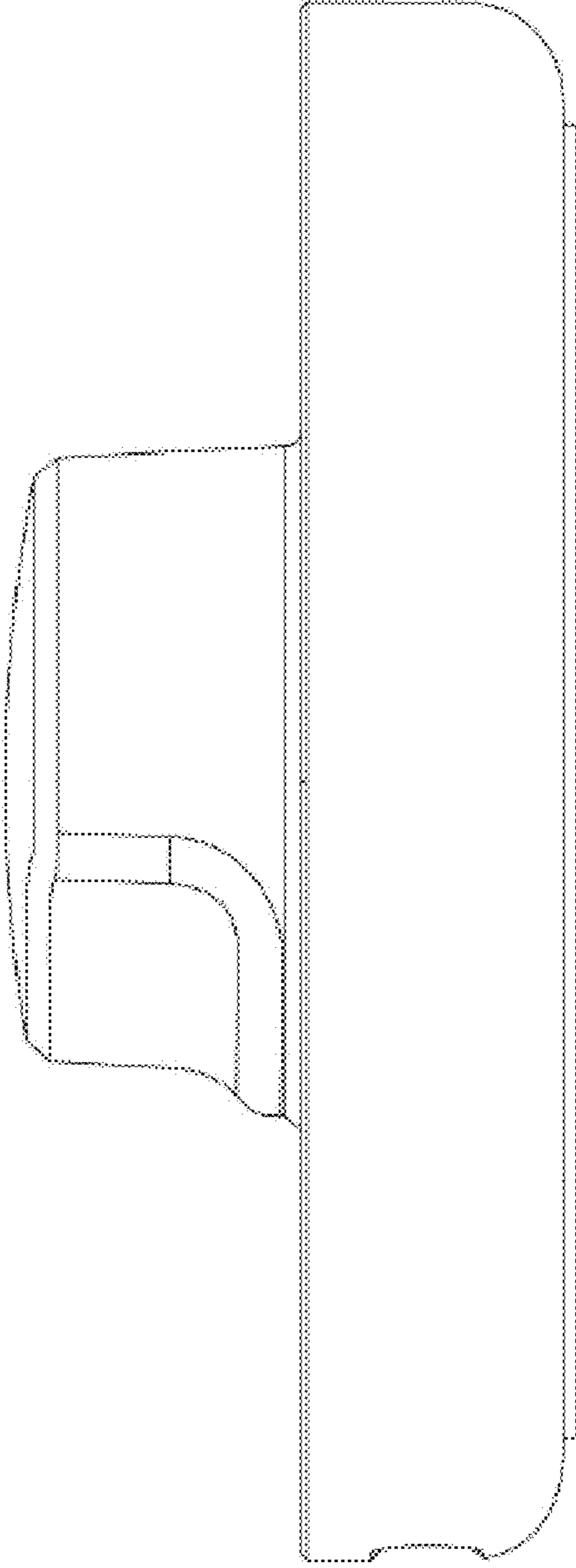


FIG. 7