



US00D978073S

(12) **United States Design Patent**
Sung

(10) **Patent No.:** **US D978,073 S**

(45) **Date of Patent:** **** Feb. 14, 2023**

(54) **COMBINED BATTERY AND DOCKING CRADLE**

(71) Applicant: **Accutronics, Ltd.**, Staffordshire (GB)

(72) Inventor: **Goo Sung**, Everett, WA (US)

(73) Assignee: **Accutronics, LTD**

(**) Term: **15 Years**

(21) Appl. No.: **29/726,755**

(22) Filed: **Mar. 5, 2020**

(51) **LOC (14) Cl.** **13-02**

(52) **U.S. Cl.**
USPC **D13/103; D13/107**

(58) **Field of Classification Search**
USPC D13/102, 103, 108, 110, 118–121, 184,
D13/199, 106
CPC H01M 50/107; H01M 50/213; H01M
50/103; H01M 50/204; H01M 50/10;
H01M 50/557; H01M 50/209; H01M
50/502
See application file for complete search history.

(56) **References Cited**

U.S. PATENT DOCUMENTS

4,849,682 A 7/1989 Bauer et al.
5,413,499 A * 5/1995 Wright, Jr. H01M 50/588
439/500
D403,661 S * 1/1999 Mariani D13/106
D435,827 S * 1/2001 Rausch D13/103
D511,742 S * 11/2005 Niitsuma D13/106

(Continued)

FOREIGN PATENT DOCUMENTS

CN 303563264 1/2016
CN 303805088 8/2016

(Continued)

OTHER PUBLICATIONS

International Search Report for PCT/US2013/038640 dated Aug. 23, 2013.

(Continued)

Primary Examiner — Rosemary K Tarcza

(74) *Attorney, Agent, or Firm* — Duane C. Basch; Basch & Nickerson LLP

(57) **CLAIM**

The ornamental design for a combined battery and docking cradle, as shown and described.

DESCRIPTION

This application is related to U.S. Design patent application for Battery, Ser. No. 29/726,756 by G. Sung, filed on even date herewith; and U.S. Design patent application for Docking Cradle, Ser. No. 29/726,758 by G. Sung, filed on even date herewith.

FIG. 1 is a perspective view of the top, front and left sides of a combined battery and docking cradle;

FIG. 2 is a front side elevation view of the combined battery and docking cradle;

FIG. 3 is a right side elevation view of the combined battery and docking cradle;

FIG. 4 is a rear side elevation view of the combined battery and docking cradle;

FIG. 5 is a left side elevation view of the combined battery and docking cradle;

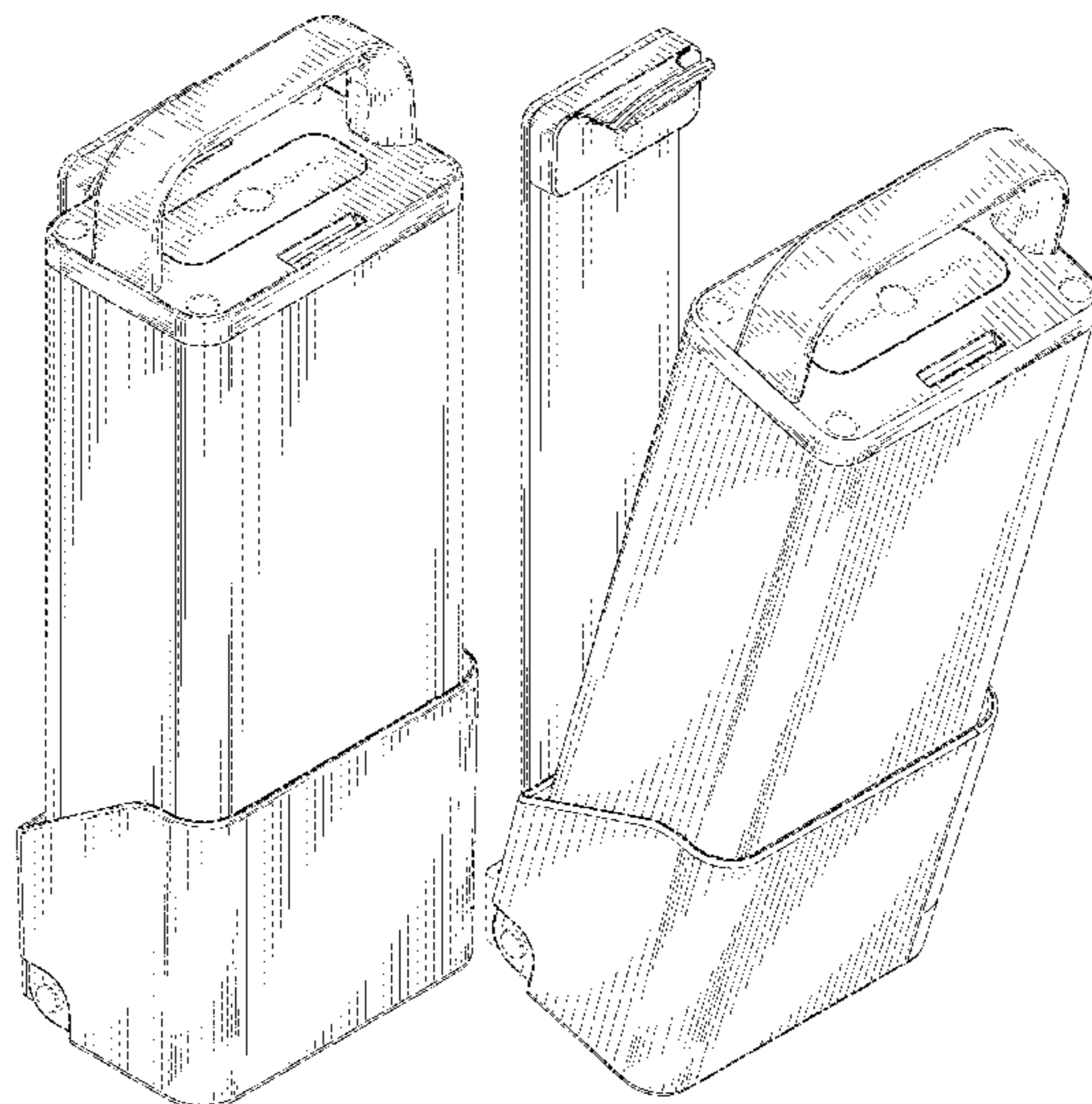
FIG. 6 is a top plan view of the combined battery and docking cradle;

FIG. 7 is a bottom plan view of the combined battery and docking cradle; and,

FIG. 8 is a perspective view of the top, front and left sides of a the combined battery and docking cradle shown in a typical open configuration facilitating battery removal from the cradle.

The broken-lines in the drawings illustrate portions of the combined battery and docking cradle that form no part of the claimed design.

1 Claim, 7 Drawing Sheets



(56)

References Cited

U.S. PATENT DOCUMENTS

D521,445 S * 5/2006 Liu D13/103
 D521,446 S * 5/2006 Liu D13/103
 D579,870 S * 11/2008 Dunbar D13/116
 D603,331 S * 11/2009 Schupp D13/103
 7,782,607 B2 8/2010 Harbin et al.
 D644,172 S * 8/2011 Kohlrausch D13/110
 8,398,408 B1 3/2013 Hansen et al.
 D695,217 S * 12/2013 Dasbach D13/110
 D695,218 S * 12/2013 Dasbach D13/110
 D720,693 S * 1/2015 Dasbach D13/110
 D721,035 S * 1/2015 Dasbach D13/110
 D757,646 S * 5/2016 Pearson D13/103
 D762,165 S * 7/2016 Rowe D13/103
 D772,806 S * 11/2016 Ritterling B25F 5/02
 D13/103
 D784,260 S * 4/2017 Rowe D13/119
 9,711,765 B1 7/2017 Ladd et al.
 9,806,300 B2 10/2017 Ladd et al.
 D820,197 S * 6/2018 Luke D13/103
 D854,496 S * 7/2019 Yin D13/103
 D880,422 S * 4/2020 Frigo D13/119
 D882,510 S * 4/2020 Theis D13/103
 D890,089 S * 7/2020 Yin D13/103
 D899,362 S * 10/2020 LaFave D13/110
 D900,022 S * 10/2020 Bell D13/103
 D918,131 S * 5/2021 Suzuki D13/103
 D934,163 S * 10/2021 Zanzotti D13/103
 D942,928 S * 2/2022 Yi D13/103
 D942,929 S * 2/2022 Yi D13/103

2007/0228680 A1 10/2007 Reppert et al.
 2008/0110460 A1 5/2008 Elaz et al.
 2010/0156184 A1 6/2010 Ludtke
 2010/0264738 A1 10/2010 Murtha et al.
 2011/0006724 A1 1/2011 Reckelhoff
 2013/0307550 A1 11/2013 Densham et al.
 2022/0102807 A1* 3/2022 Toya H01M 50/213

FOREIGN PATENT DOCUMENTS

EM	0045573610003	12/2017
JP	1201349	2/2004
JP	1379761	1/2010
JP	1586375	8/2017
JP	D1614414	9/2018
KR	30443761	3/2007
WO	WO2013163647	10/2013

OTHER PUBLICATIONS

Taiwan Search Report dated Oct. 21, 2021.
 Translation of Taiwan Search Report dated Oct. 21, 2021.
 Translation of Japanese D1614414 Sep. 25, 2018.
 Japanese Search Report for Japanese Design Application 202-018531 (dated Dec. 15, 2020) Dec. 15, 2020.
 Japanese Search Report for Japanese Design Application 202-018532 (dated Dec. 15, 2020) Dec. 15, 2020.
 Japanese Search Report for Japanese Design Application 202-018533 (dated Dec. 15, 2020) Dec. 15, 2020.

* cited by examiner

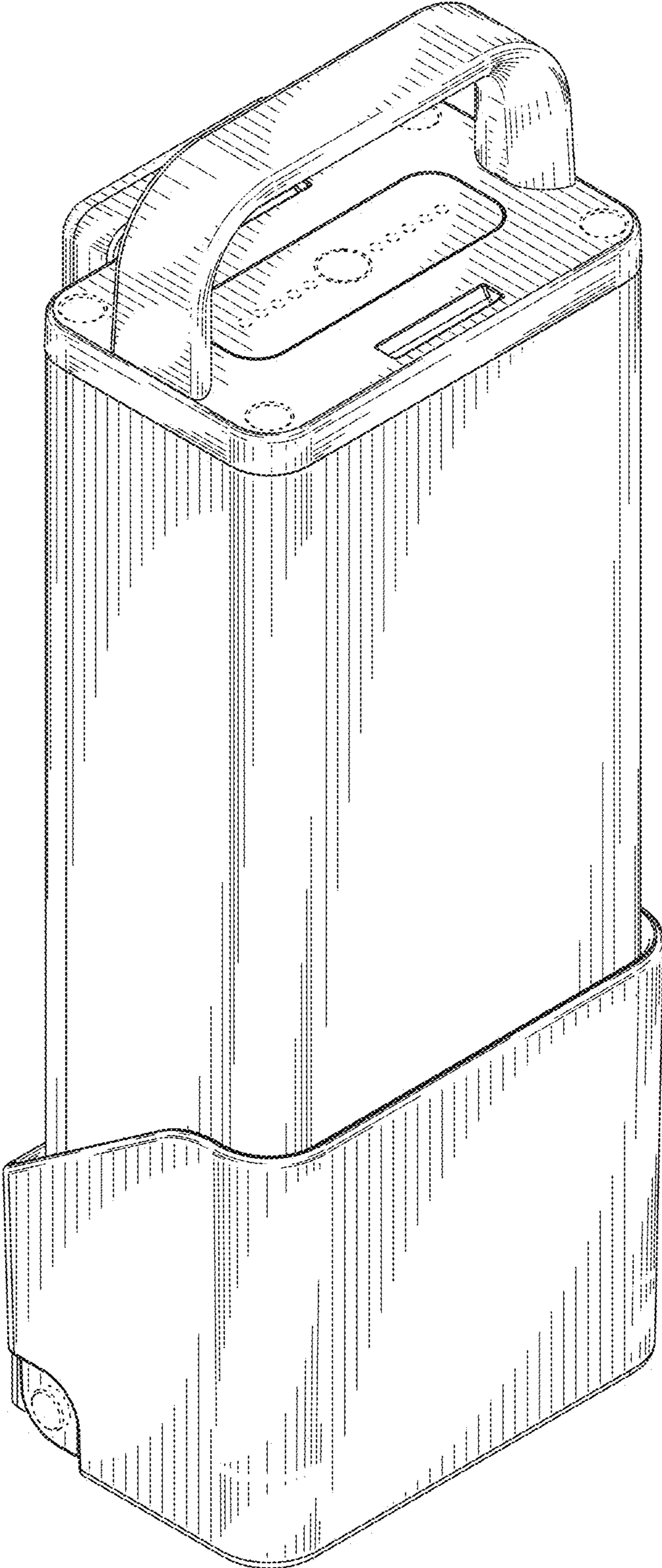


FIG. 1

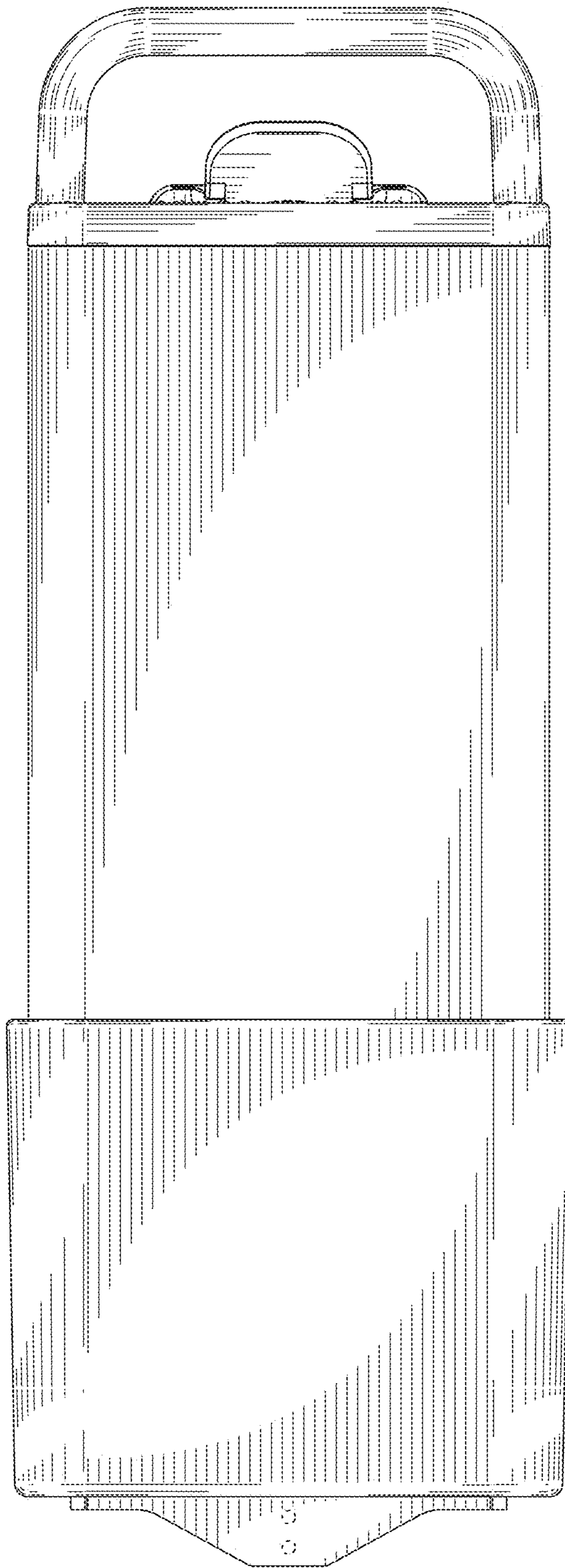


FIG. 2

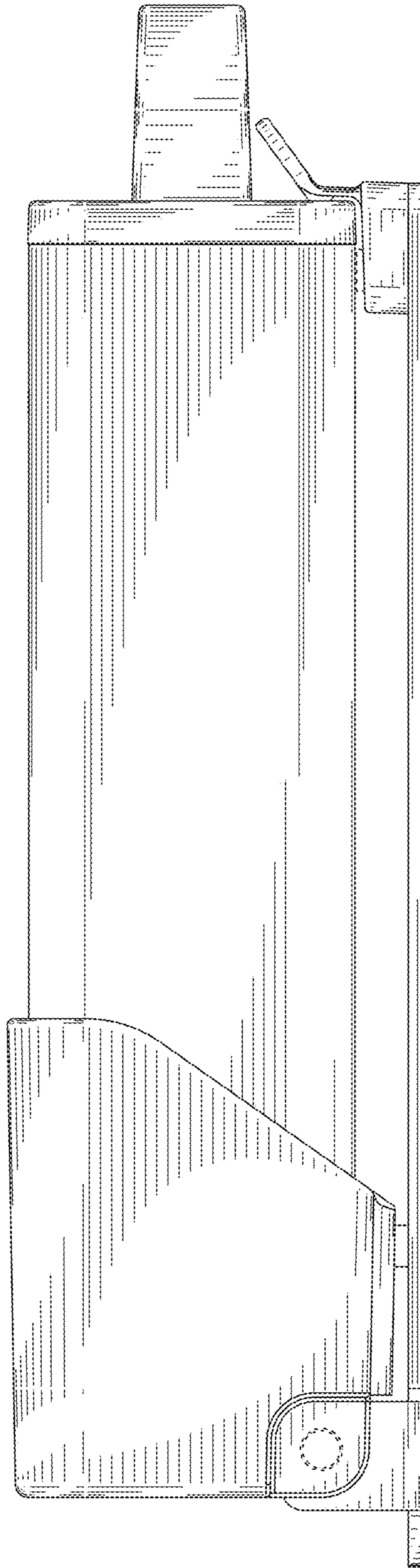


FIG. 3

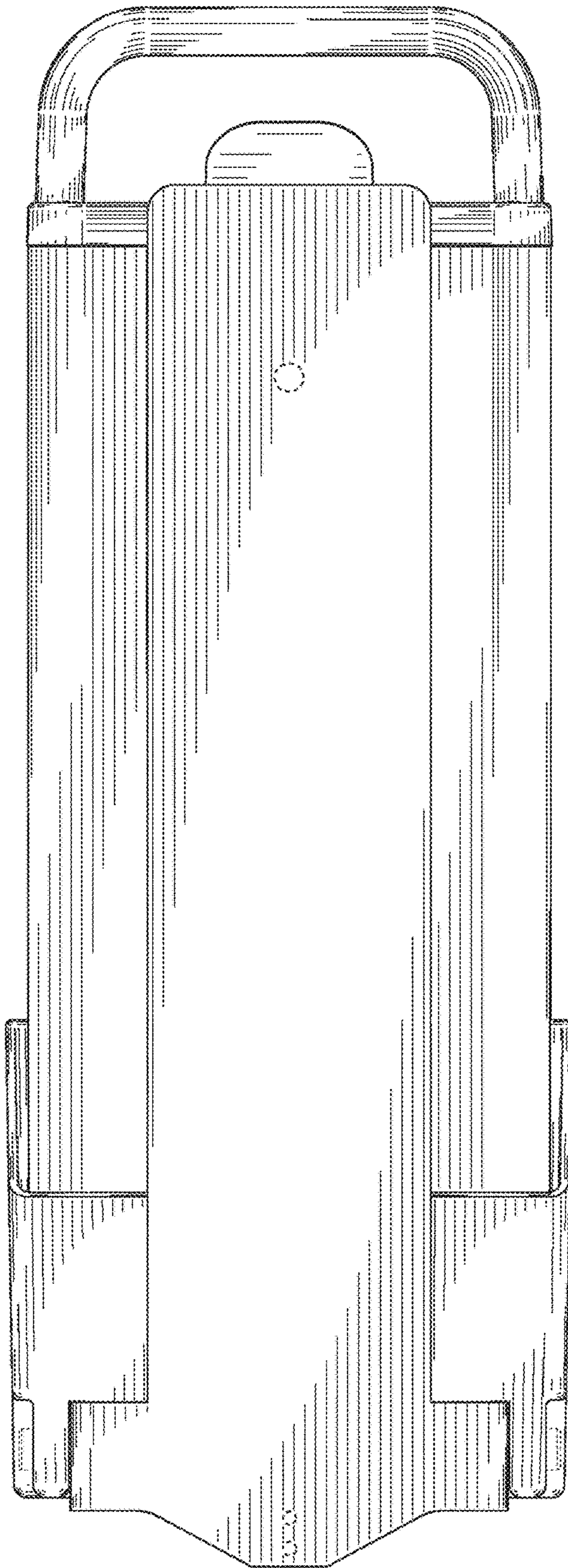


FIG. 4

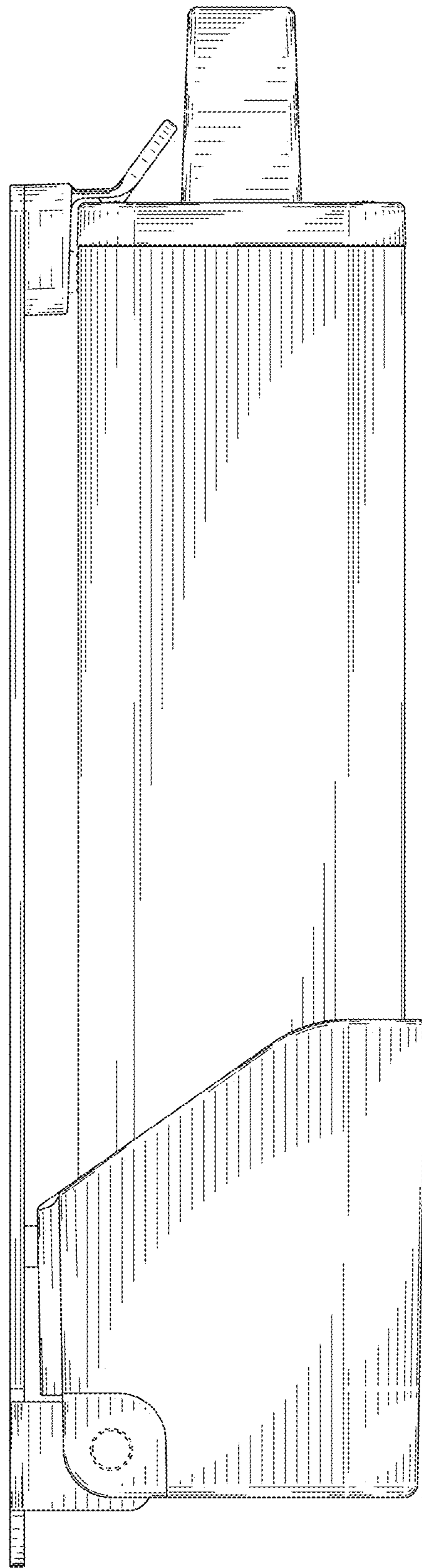


FIG. 5

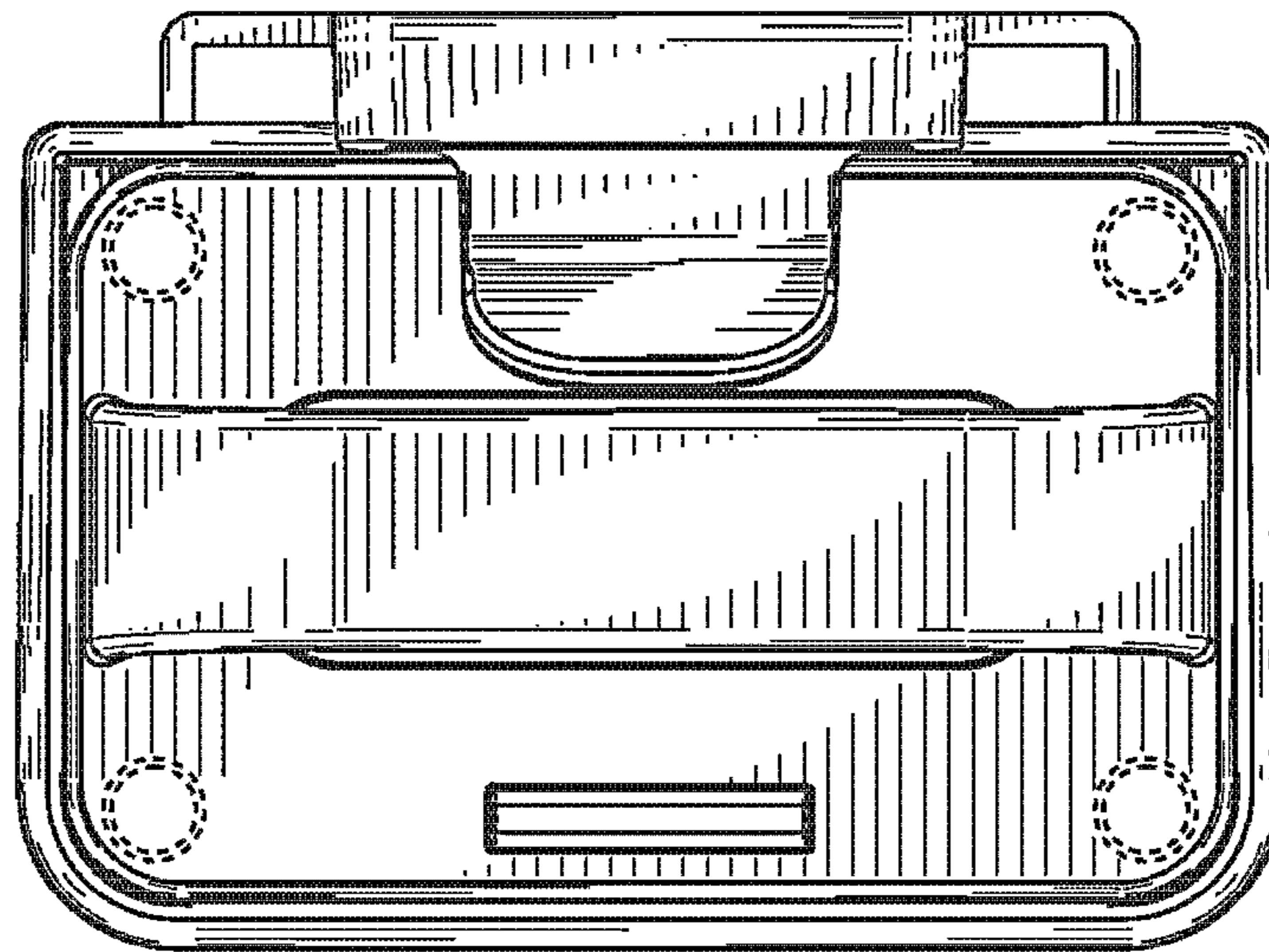


FIG. 6

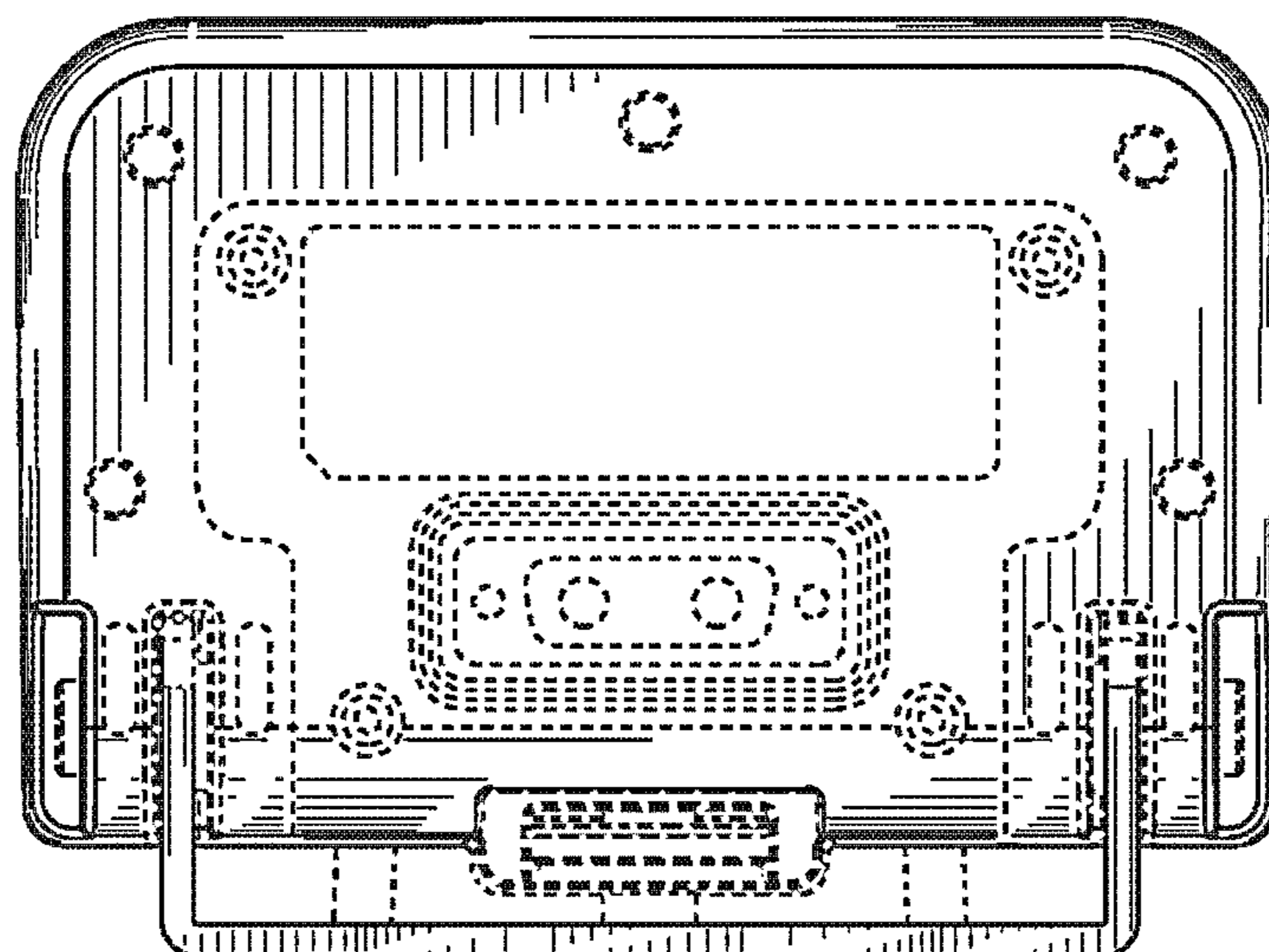


FIG. 7

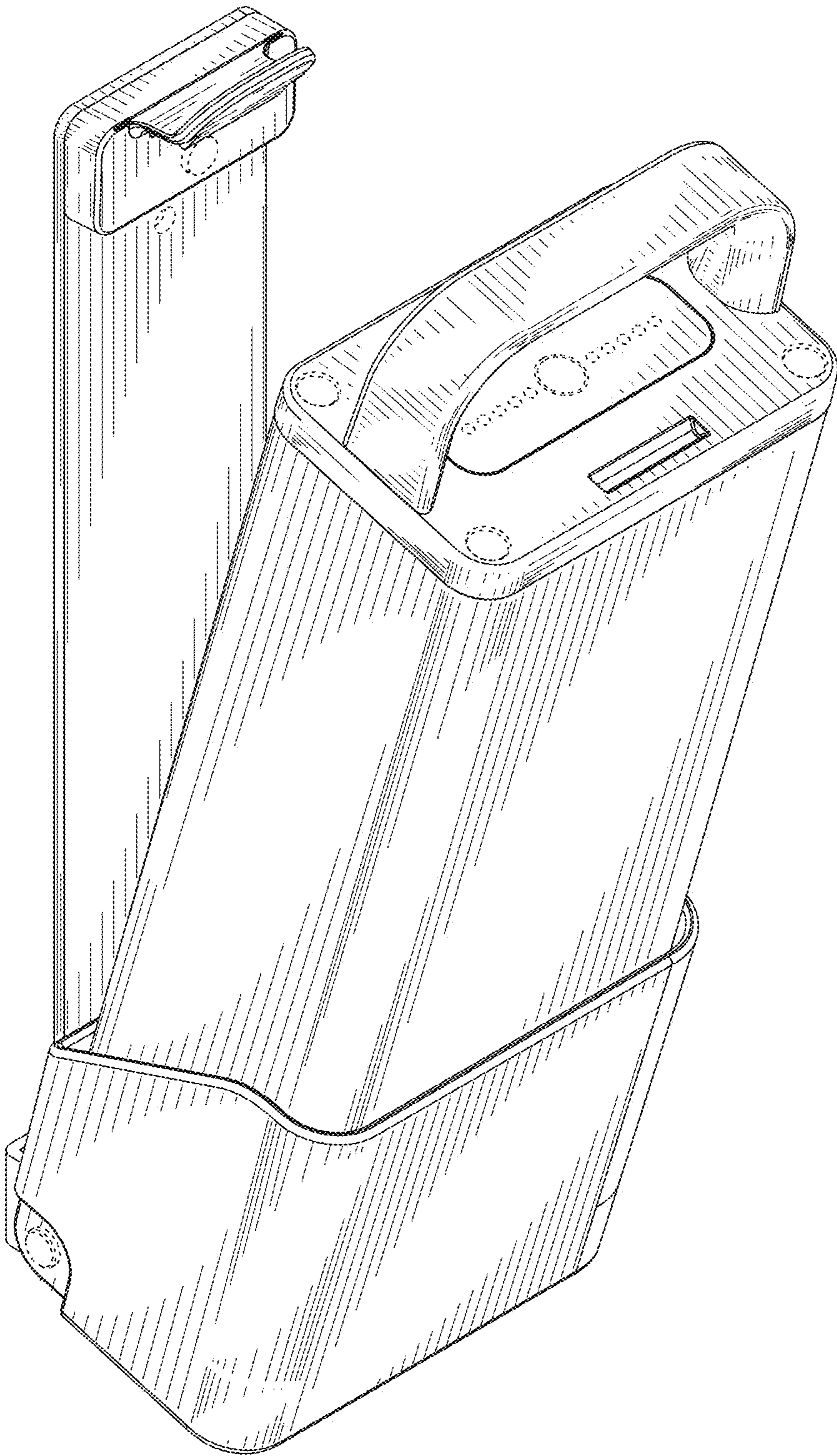


FIG. 8