



US00D978071S

(12) **United States Design Patent** (10) **Patent No.:** **US D978,071 S**
Wei (45) **Date of Patent:** **** Feb. 14, 2023**

(54) **SOLAR ATMOSPHERE LIGHT**

(71) Applicant: **Min Wei**, Shenzhen (CN)

(72) Inventor: **Min Wei**, Shenzhen (CN)

(**) Term: **15 Years**

(21) Appl. No.: **29/777,685**

(22) Filed: **Apr. 8, 2021**

(51) **LOC (14) Cl.** **13-02**

(52) **U.S. Cl.**
USPC **D13/102; D26/67**

(58) **Field of Classification Search**
USPC D13/102, 101, 118, 184, 199; D26/63,
D26/67, 68, 71, 72, 85, 110, 138, 142
CPC H01L 31/00; H01L 31/18; H01L 31/042;
H01L 31/045; H01L 31/048; H01L
31/052; H01L 31/054; H01L 31/0475;
H01L 31/0485; H01M 10/052; H01M
10/465; H02S 30/10; H02S 30/20; H02S
10/40; H02S 40/42; Y02E 10/50; Y02E
10/52; H02J 7/0045; H02J 7/0052; H02J
7/355; F21V 17/02; F21V 15/01; F21V
7/0083; F21V 21/06; F21V 21/12
See application file for complete search history.

(56) **References Cited**

U.S. PATENT DOCUMENTS

D353,130 S * 12/1994 Aldrich D13/102
D567,987 S * 4/2008 Khubani D26/85
D574,538 S 8/2008 Sanoner
D657,090 S * 4/2012 Kaule D26/138

D758,298 S * 6/2016 Akin D13/102
D822,253 S 7/2018 Wu
D834,515 S * 11/2018 Zhang D13/102
D875,986 S 2/2020 Chen
D878,287 S * 3/2020 Shi D13/102
D882,144 S 4/2020 Zhu
10,648,190 B2 * 5/2020 Mandry E04H 12/2246
D899,352 S * 10/2020 Gong D13/102
D905,888 S 12/2020 Li
D908,253 S 1/2021 Hollinger
2015/0192269 A1 * 7/2015 Shih G03B 15/035
362/297

* cited by examiner

Primary Examiner — Derrick E Holland

(74) *Attorney, Agent, or Firm* — Rumit Ranjit Kanakia

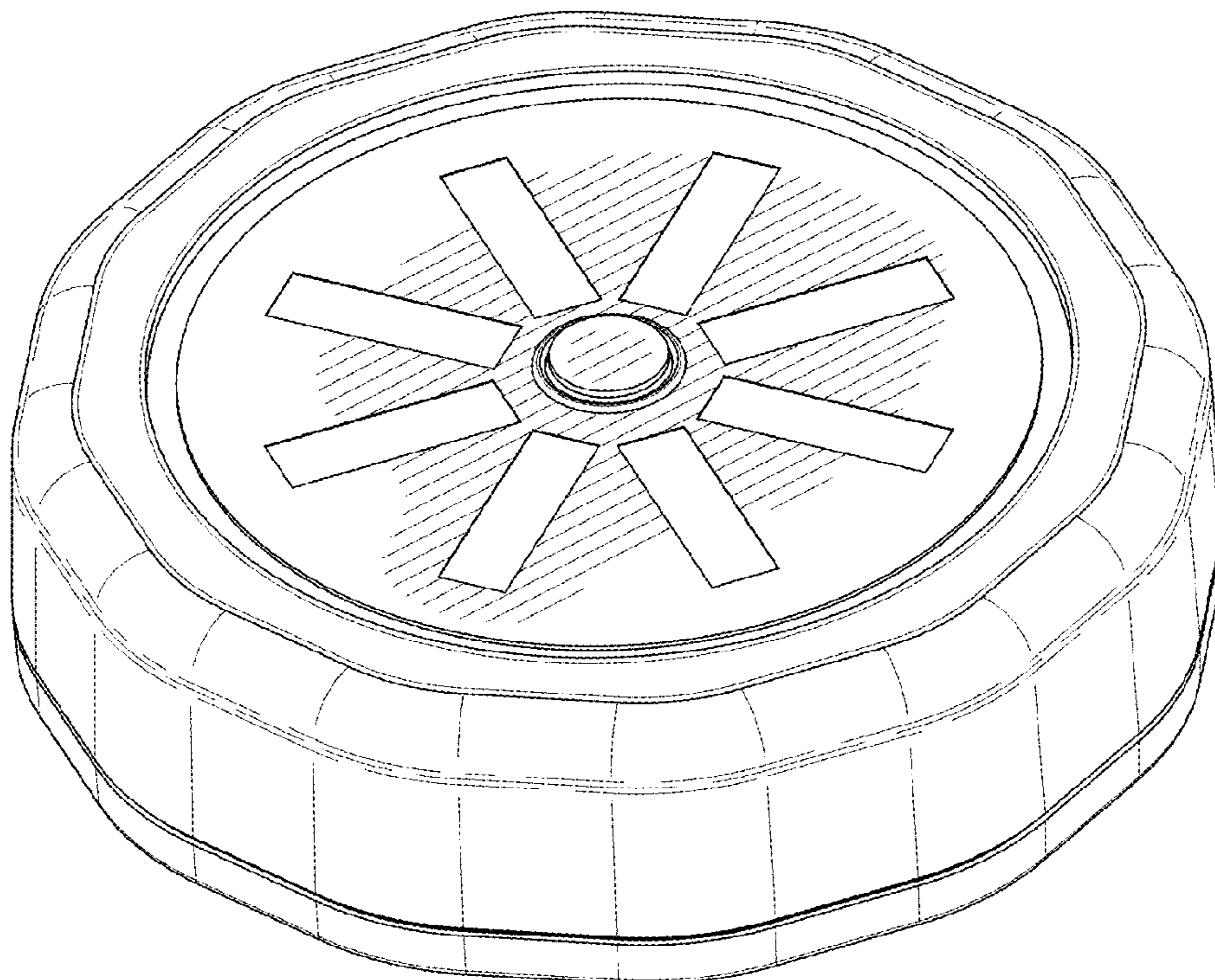
(57) **CLAIM**

I claim the ornamental design for a solar atmosphere light, as shown and described.

DESCRIPTION

FIG. 1 is a Perspective view of a solar atmosphere light showing my new design;
FIG. 2 is a Front view thereof;
FIG. 3 is a Back view thereof;
FIG. 4 is a Right-side view thereof;
FIG. 5 is a Left-side view thereof;
FIG. 6 is a Top view thereof; and,
FIG. 7 is a Bottom view thereof.
The broken lines in the drawings depict portions of the solar atmosphere light that form no part of the claimed design.

1 Claim, 7 Drawing Sheets



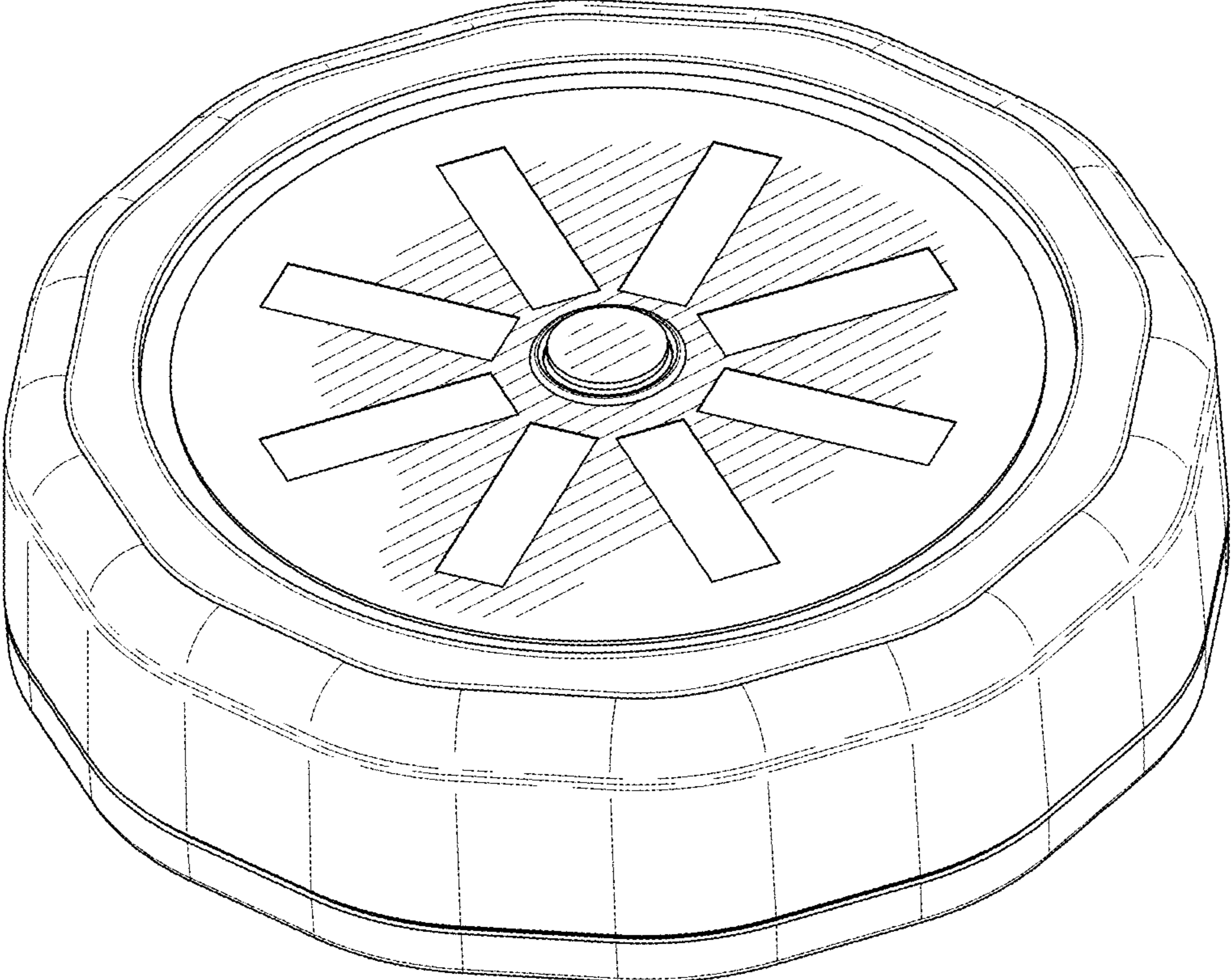


FIG. 1

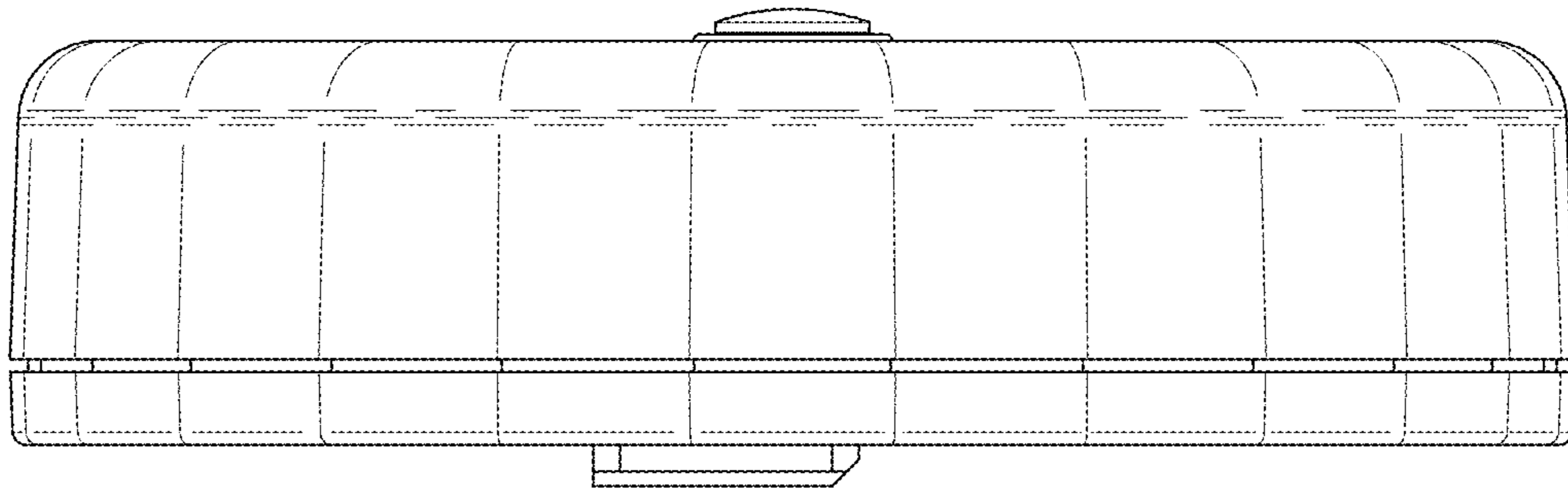


FIG. 2

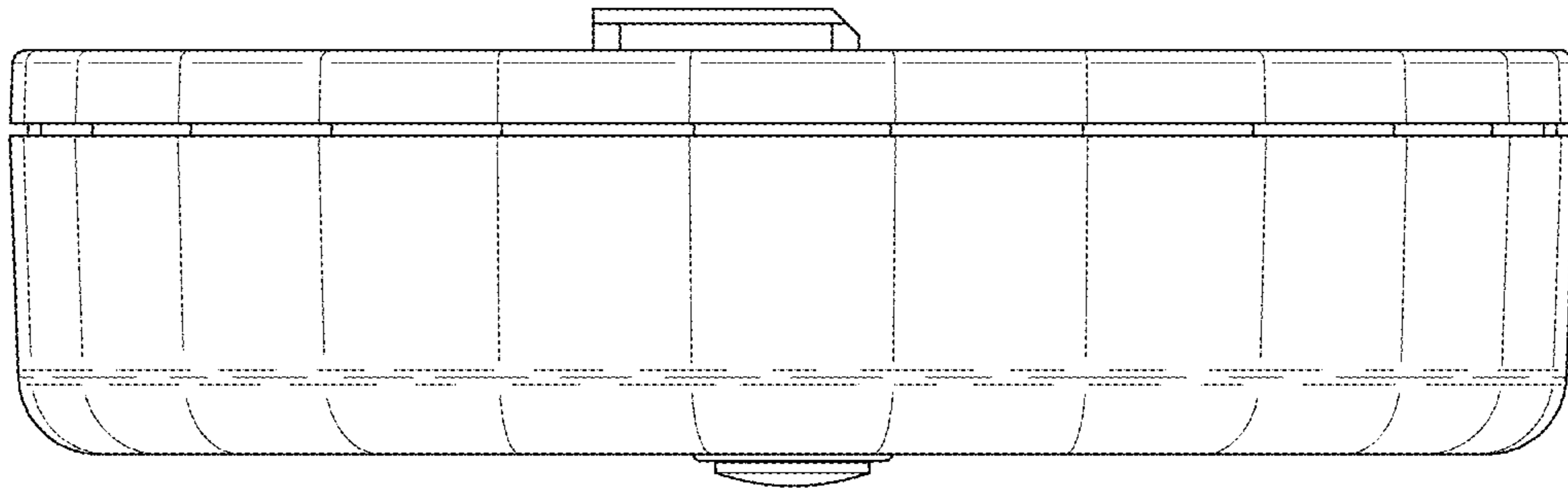


FIG. 3

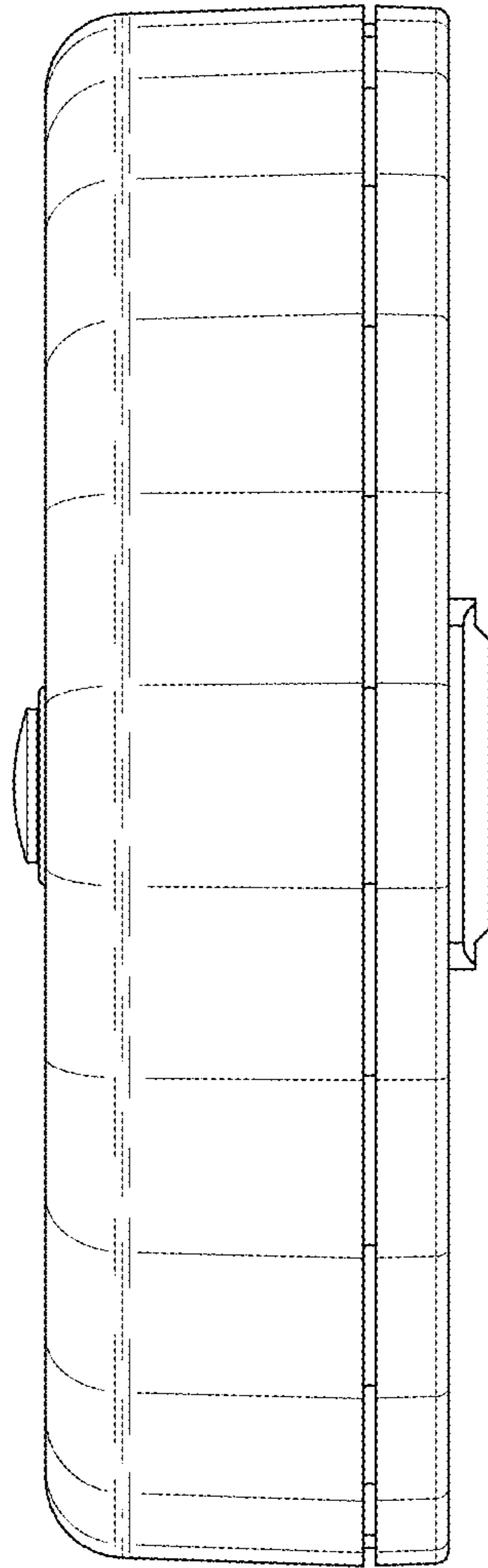


FIG. 4

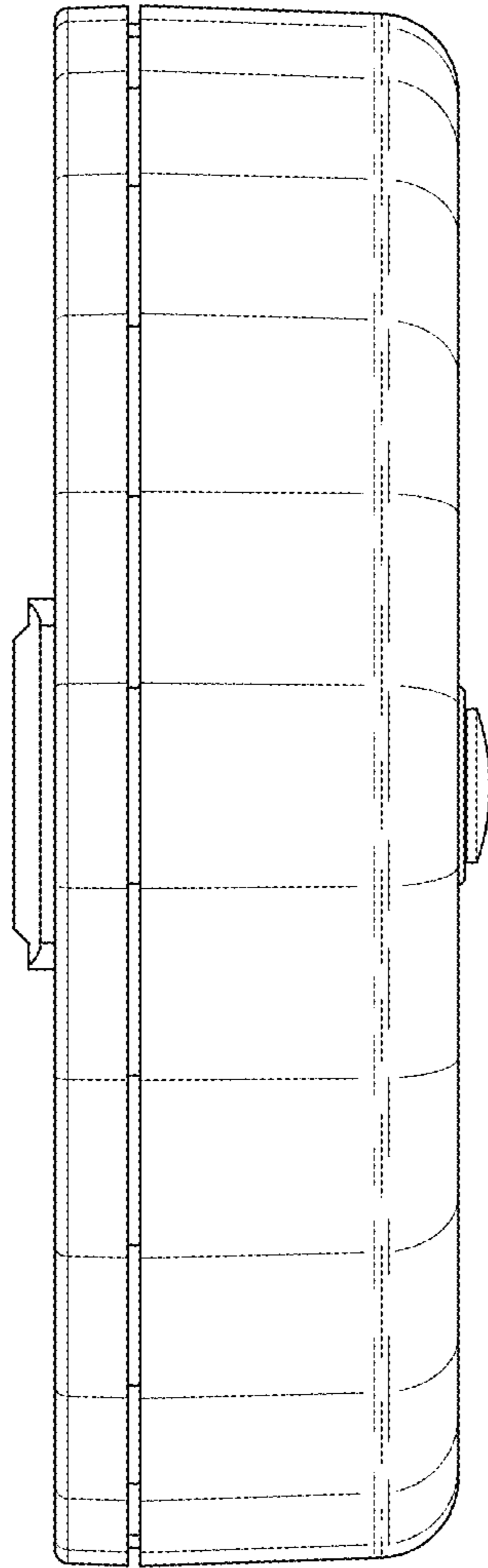


FIG. 5

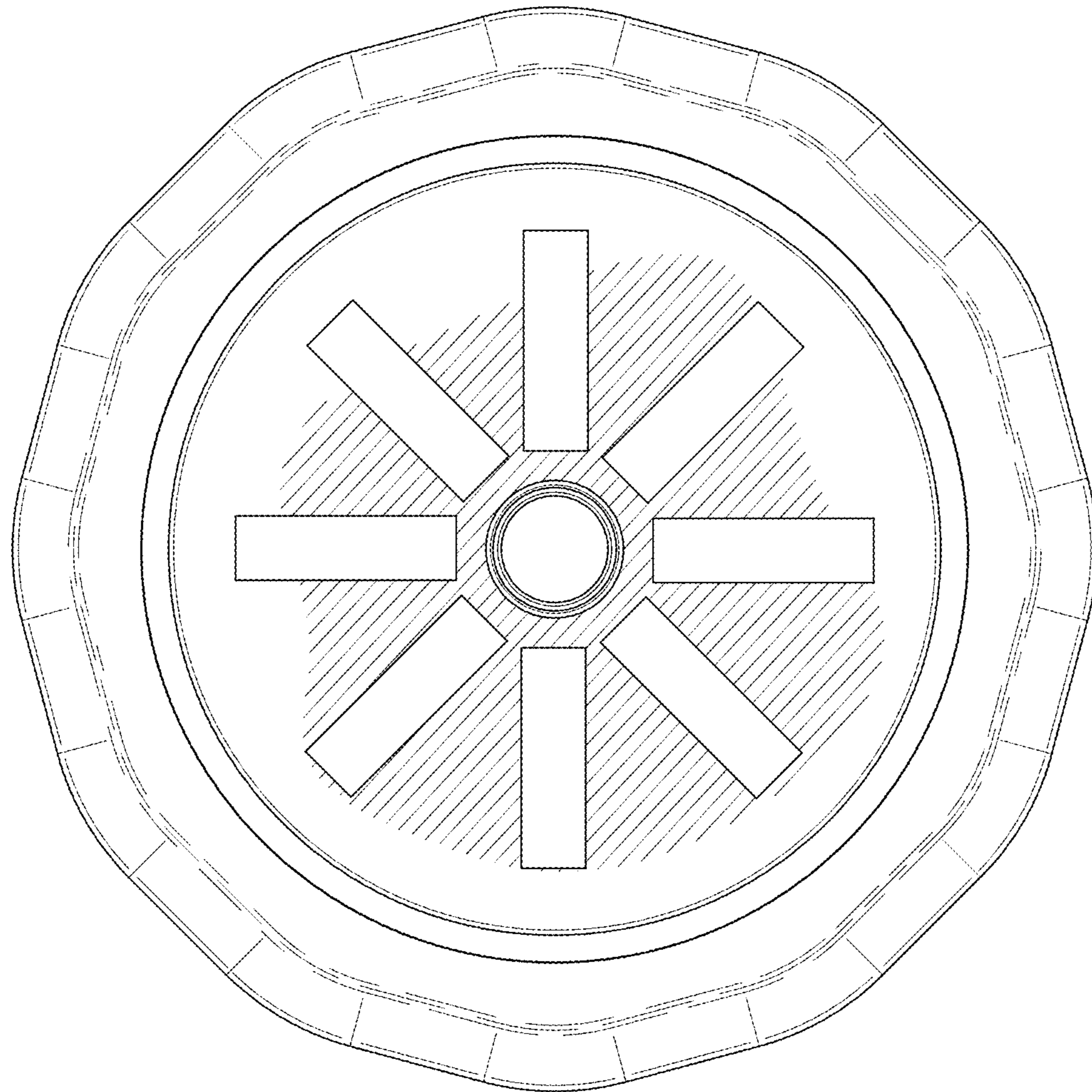


FIG. 6

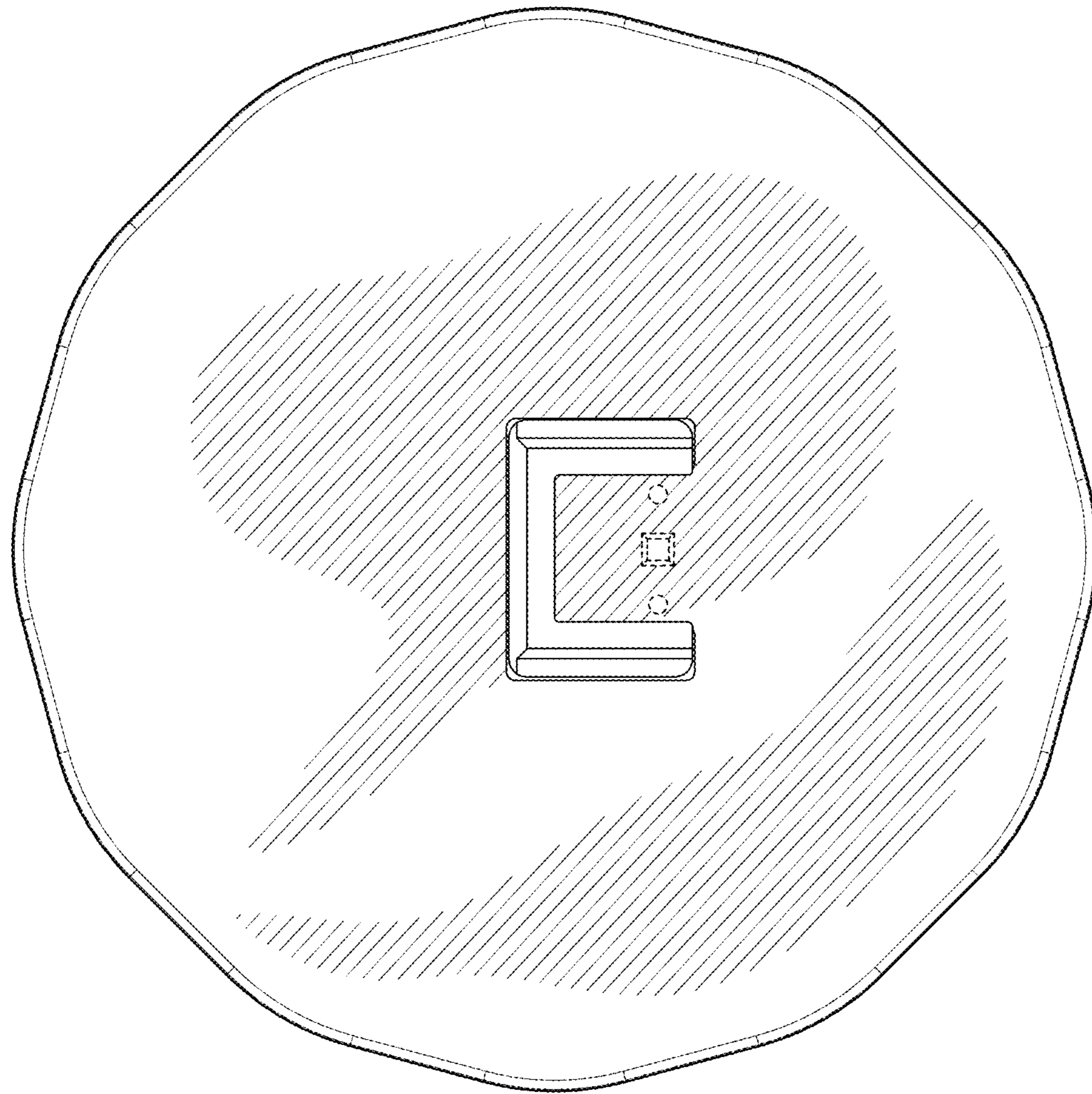


FIG. 7