



US00D978068S

(12) **United States Design Patent**  
**Mailhiot et al.**

(10) **Patent No.:** **US D978,068 S**

(45) **Date of Patent:** **\*\* Feb. 14, 2023**

(54) **TIRE**

(71) Applicant: **Compagnie Generale des Etablissements Michelin**, Clermont-Ferrand (FR)

(72) Inventors: **Nicholas Mailhiot**, Greenville, SC (US); **Joe Workman**, Fountain Inn, SC (US)

(73) Assignee: **Compagnie Generale des Etablissements Michelin**, Clermont-Ferrand (FR)

(\*\*) Term: **15 Years**

(21) Appl. No.: **29/758,017**

(22) Filed: **Nov. 11, 2020**

(51) **LOC (14) Cl.** ..... **12-15**

(52) **U.S. Cl.**  
USPC ..... **D12/579**

(58) **Field of Classification Search**  
USPC ..... D12/568-605, 900  
CPC ..... Y10T 152/10027; B60C 1/0016; B60C 11/0306; B60C 11/0302; B60C 3/06; B60C 9/17

See application file for complete search history.

(56) **References Cited**

**U.S. PATENT DOCUMENTS**

6,382,283	B1	*	5/2002	Caretta	.....	B60C 11/1263
						152/902
D537,033	S	*	2/2007	Dumigan	.....	D12/602
D847,725	S	*	5/2019	Dixon	.....	D12/564
D853,947	S	*	7/2019	Pribula	.....	D12/596
D861,584	S	*	10/2019	Pribula	.....	D12/596
D863,210	S	*	10/2019	Dixon	.....	D12/583
D900,015	S	*	10/2020	Zimmerman	.....	D12/597

D908,078	S	*	1/2021	Chang	.....	D12/579
D943,500	S	*	2/2022	Wada	.....	D12/579
D948,418	S	*	4/2022	Guilford	.....	D12/597

\* cited by examiner

*Primary Examiner* — John A Voytek

(74) *Attorney, Agent, or Firm* — John Steckler Schwab

(57) **CLAIM**

The ornamental design for a tire, as shown and described.

**DESCRIPTION**

FIG. 1 is a front right perspective view of a first embodiment of a tire showing our new design, the design repeated about the circumference of the tire;

FIG. 2 is a front elevation view thereof, the design repeated about the circumference of the tire;

FIG. 3 is a right elevation view thereof, the left elevation view being identical;

FIG. 4 is a partial sectional view taken along line 4-4 in FIG. 2;

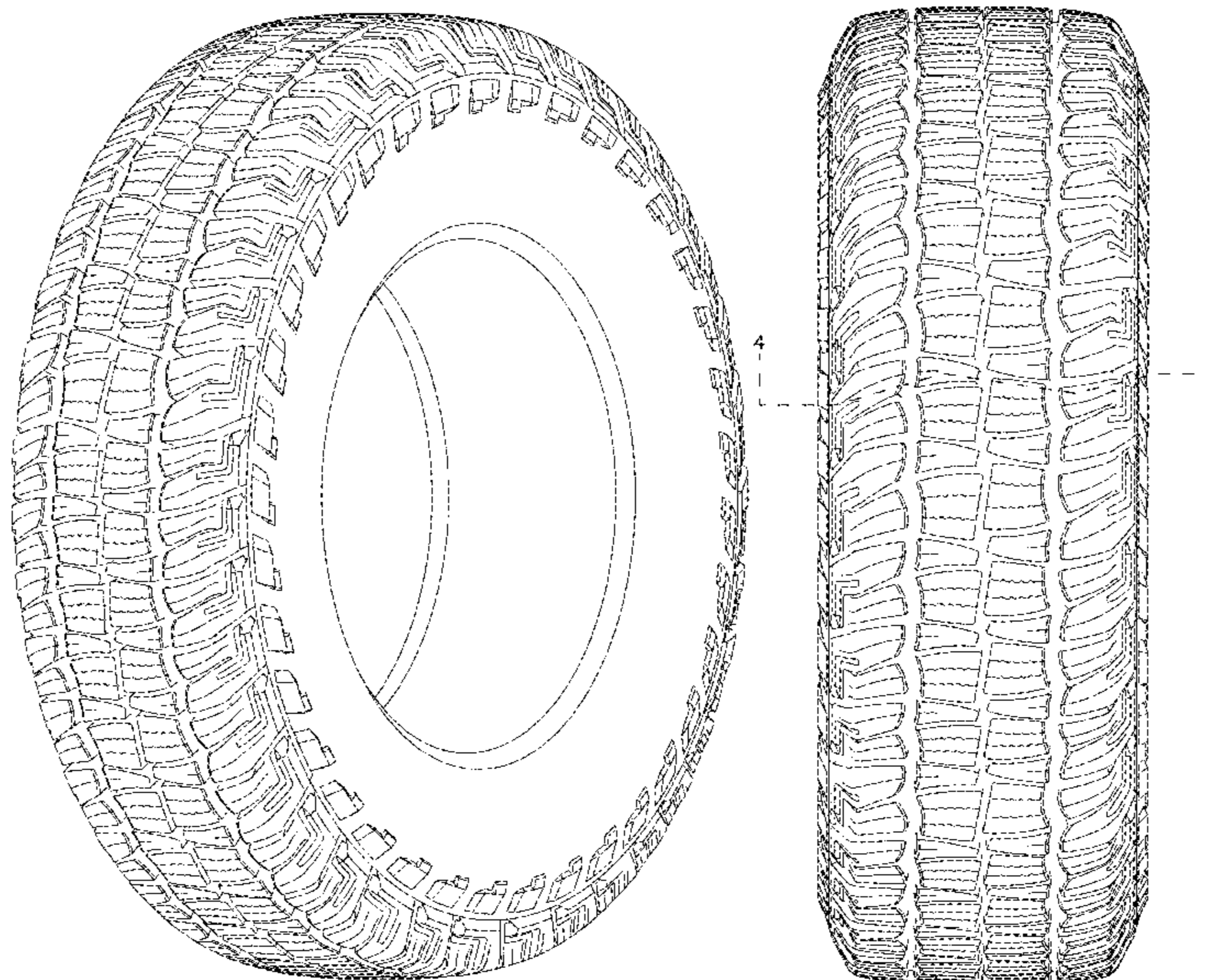
FIG. 5 is a front right perspective view of a second embodiment of the tire showing our new design, the design repeated about the circumference of the tire, it being understood that the dashed lines form no part of the claimed design, it also being understood that the dash-dot line represents a boundary line, radially inward of which is not part of the claimed design;

FIG. 6 is a front elevation view thereof, the design repeated about the circumference of the tire, it being understood that the dashed lines form no part of the claimed design;

FIG. 7 is a right elevation view thereof, the left elevation view being identical, it being understood that the dashed lines form no part of the claimed design, it also being understood that the dash-dot line represents a boundary line, radially inward of which is not part of the claimed design; and,

FIG. 8 is a sectional view taken along line 8-8 in FIG. 6, it being understood that the dashed lines form no part of the claimed design.

**1 Claim, 8 Drawing Sheets**



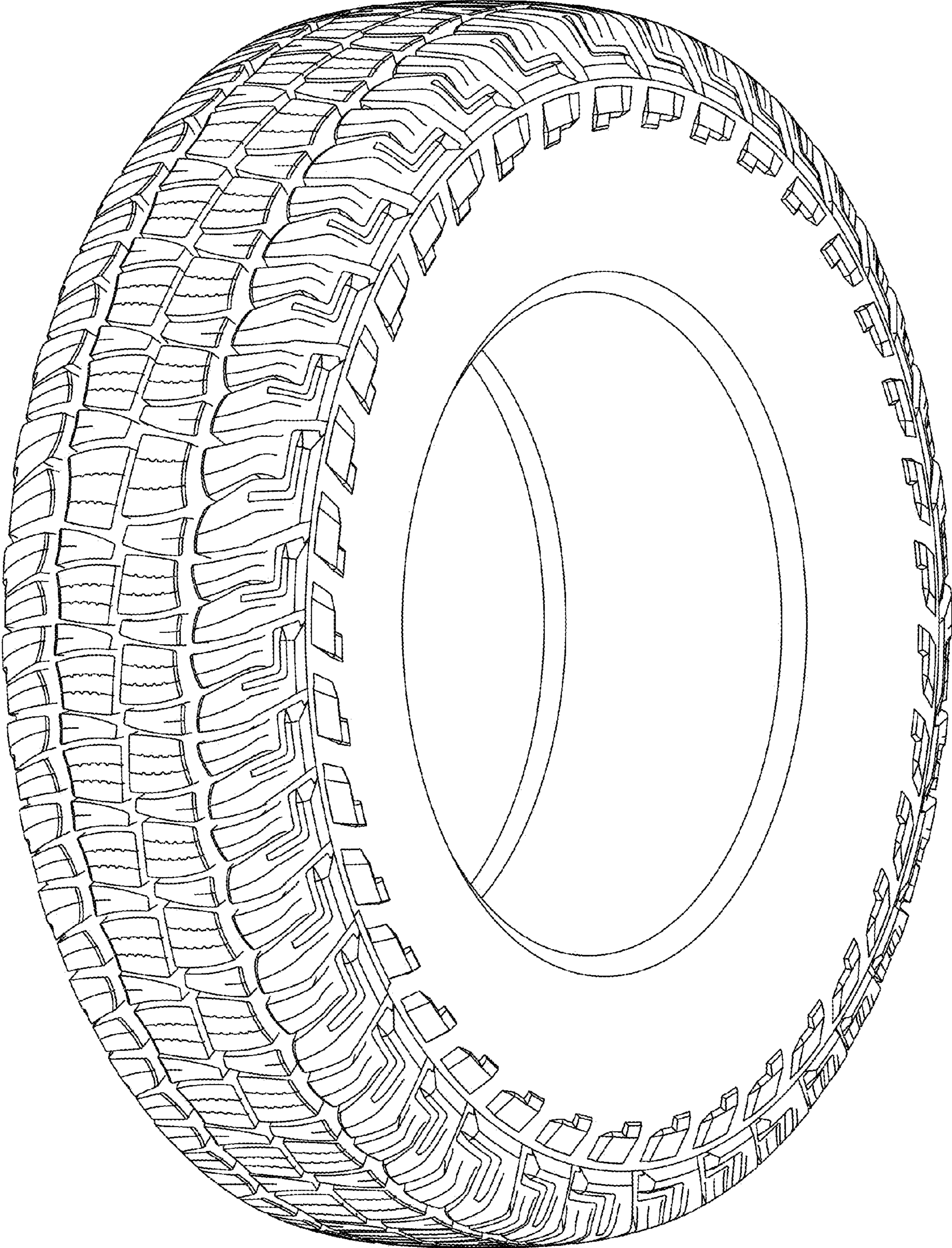


FIG. 1

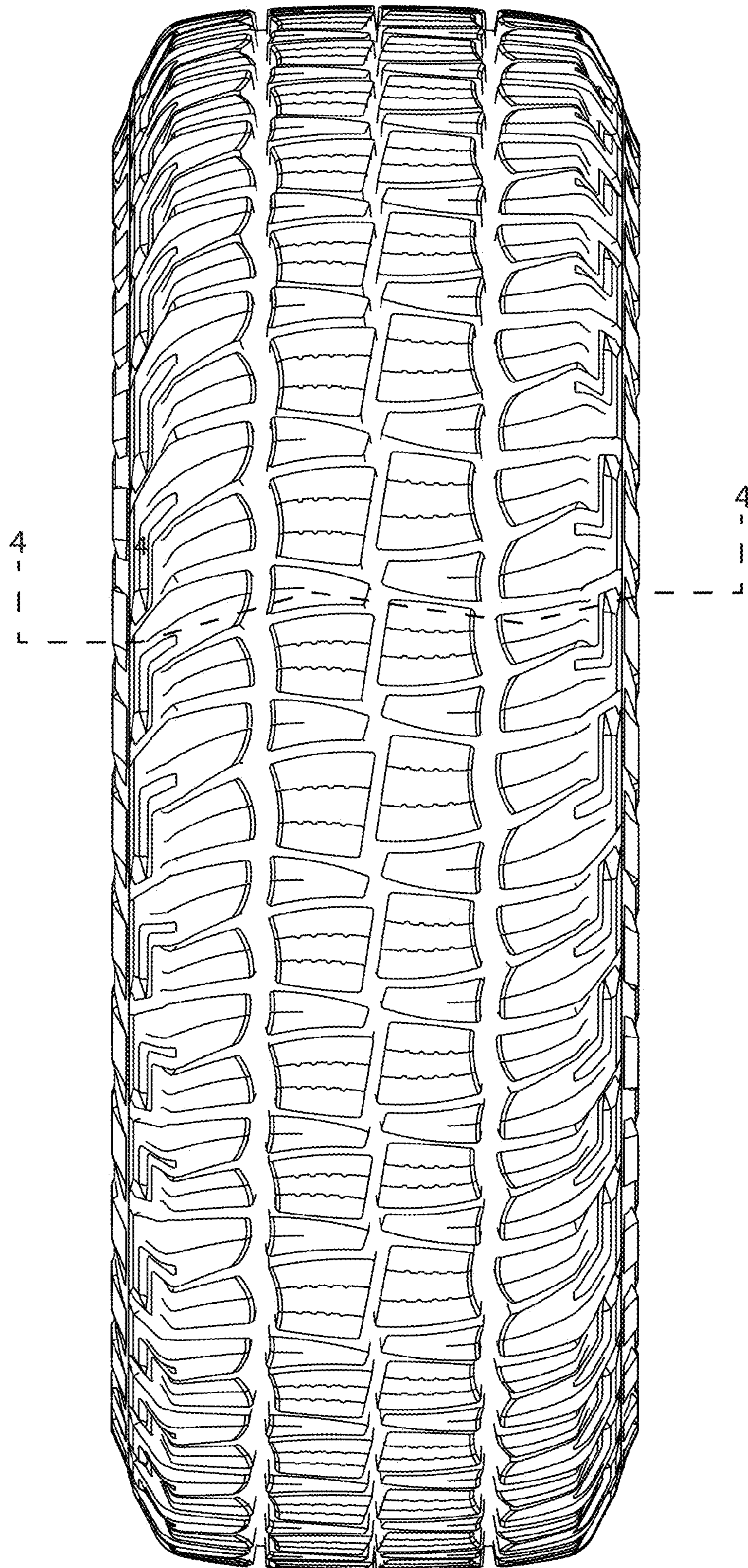


FIG. 2

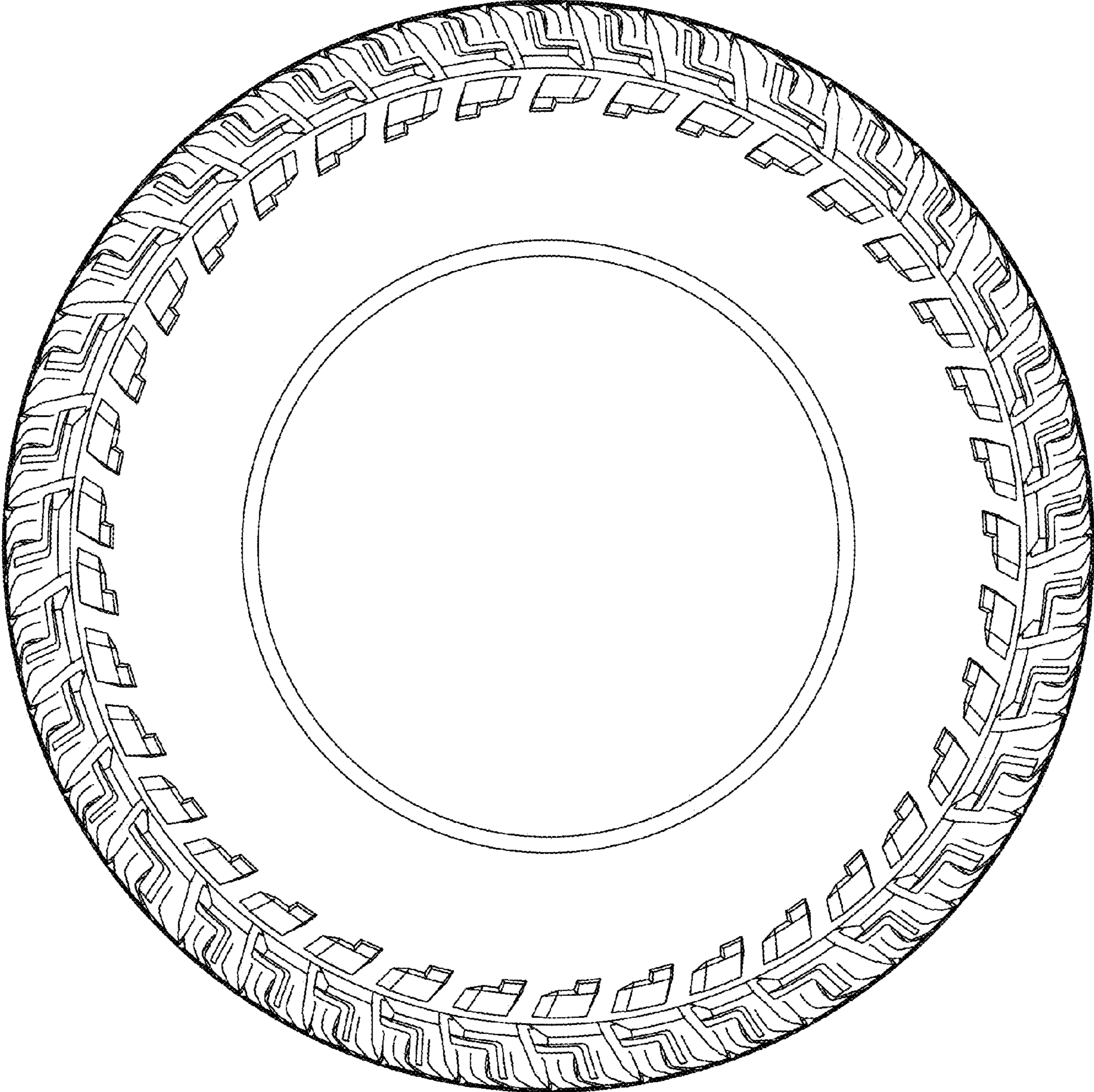


FIG. 3

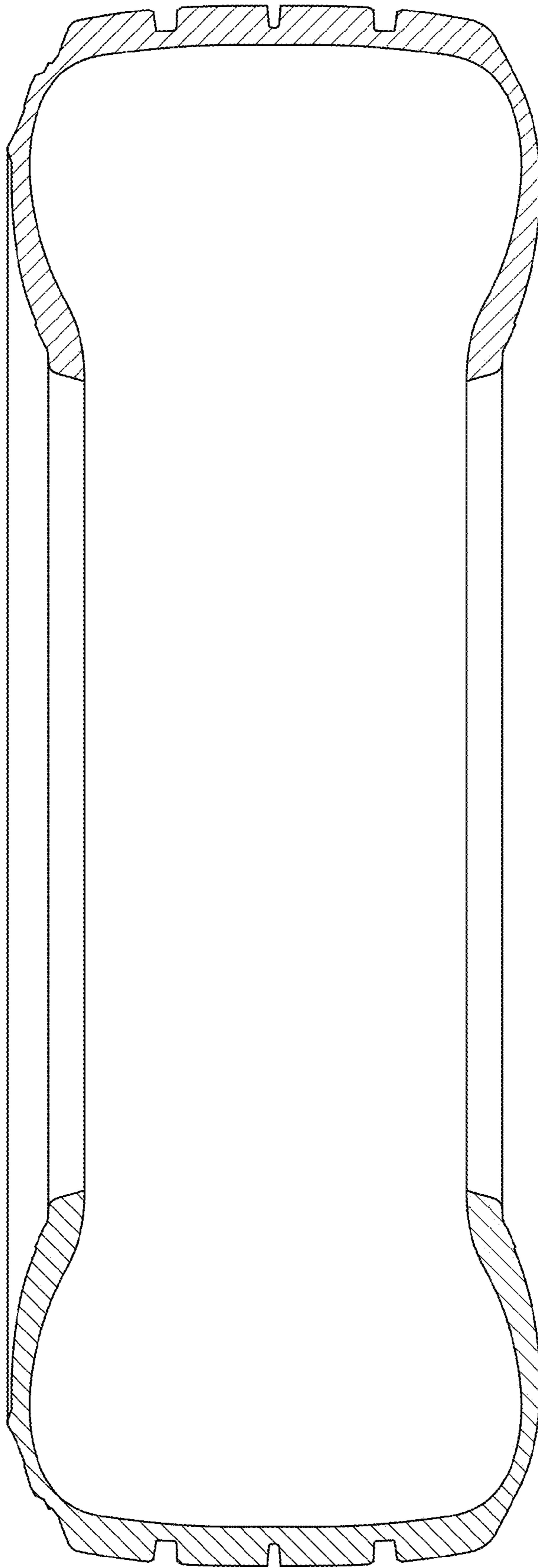


FIG. 4

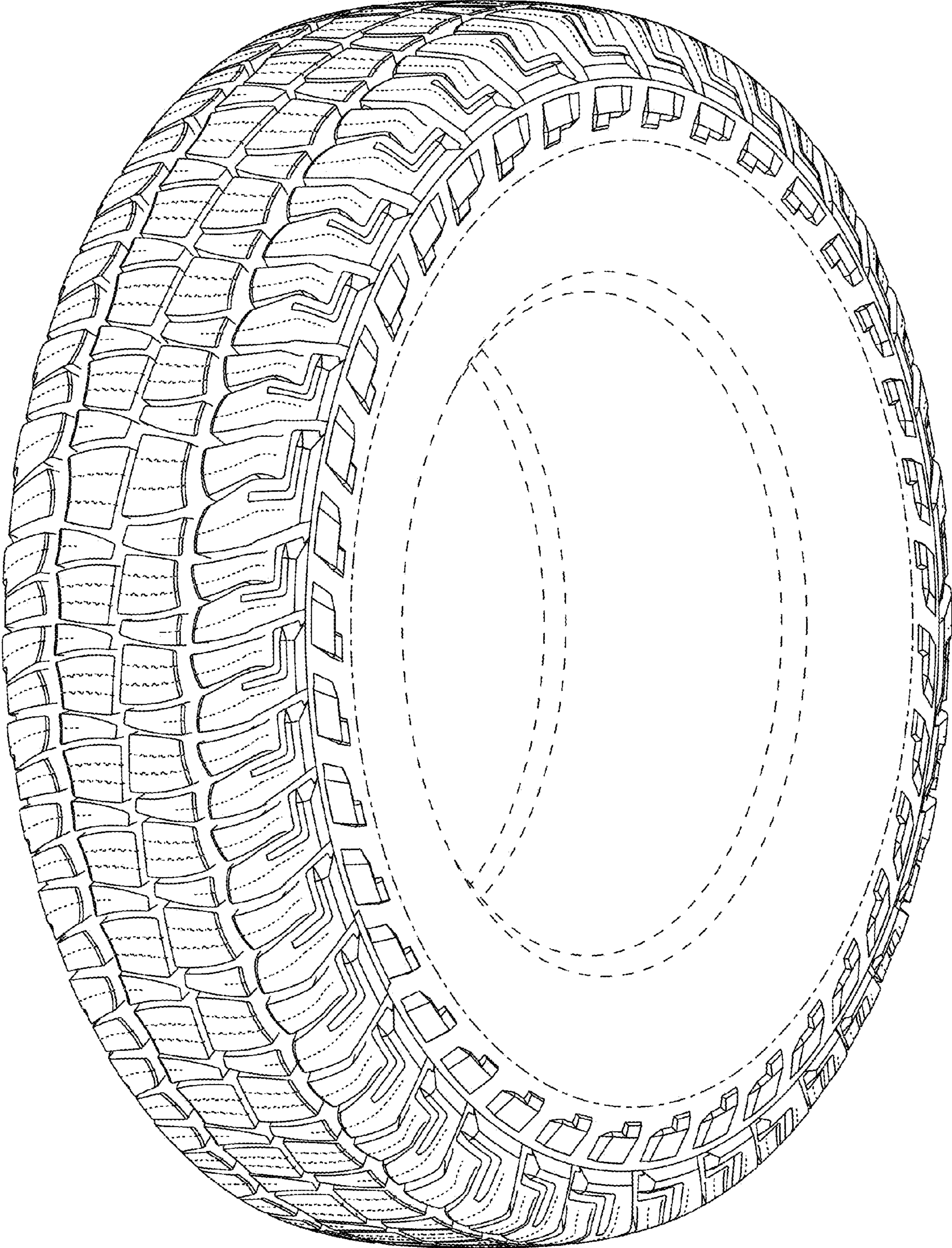


FIG. 5

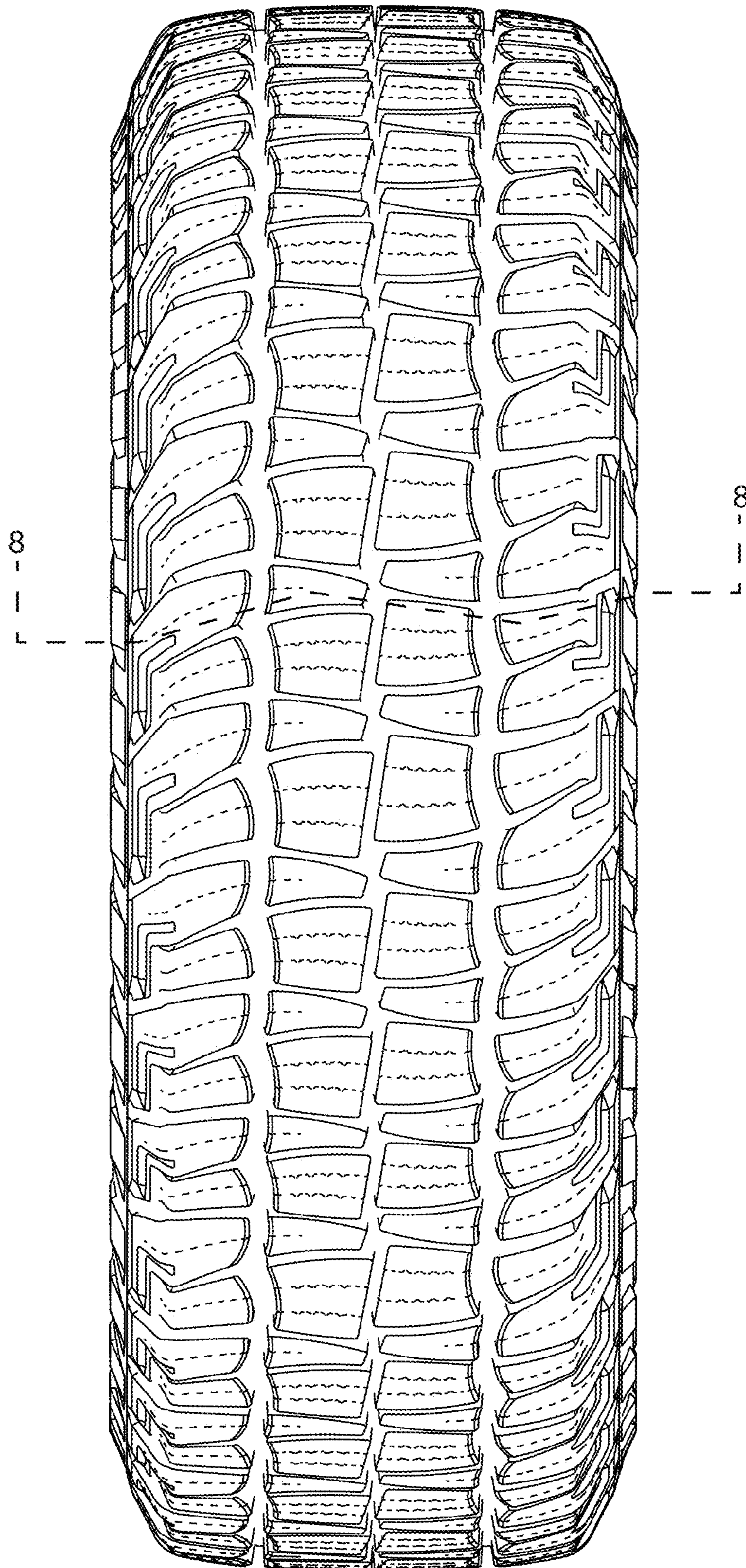


FIG. 6

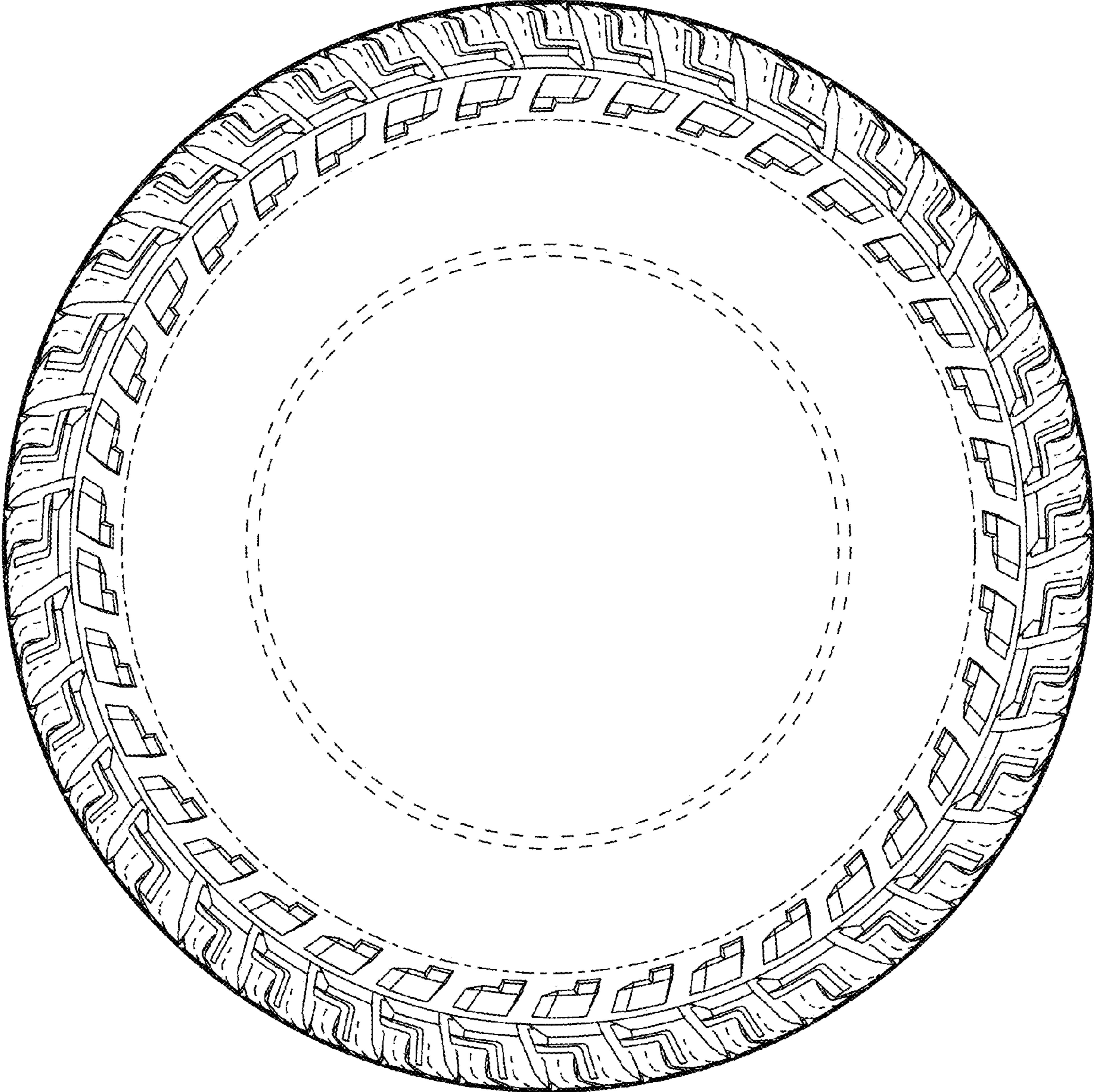


FIG. 7



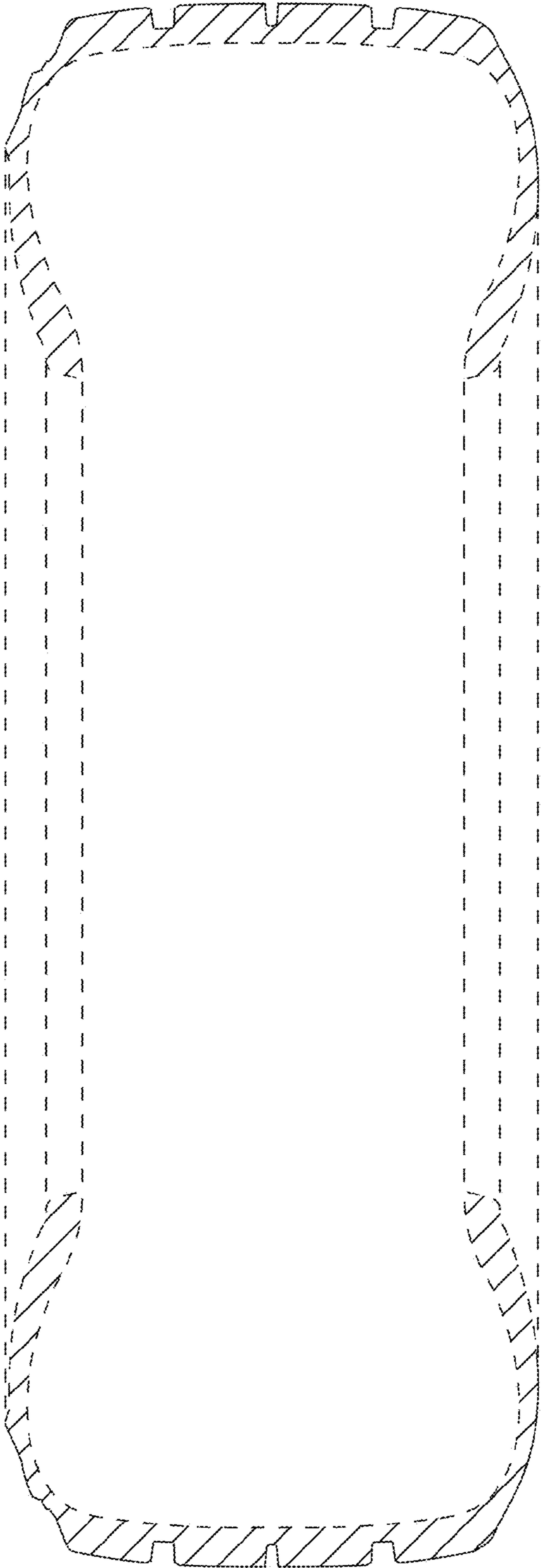


FIG. 8