



US00D978061S

(12) **United States Design Patent**  
**Robinson**

(10) **Patent No.:** **US D978,061 S**

(45) **Date of Patent:** **\*\* Feb. 14, 2023**

(54) **CUP HOLDER EXTENSION**

(71) Applicant: **Lori G. Robinson**, Fairview, UT (US)

(72) Inventor: **Lori G. Robinson**, Fairview, UT (US)

(\*\*) Term: **15 Years**

(21) Appl. No.: **29/846,125**

(22) Filed: **Jul. 13, 2022**

(51) **LOC (14) Cl.** ..... **12-16**

(52) **U.S. Cl.**

USPC ..... **D12/419**; D7/620

(58) **Field of Classification Search**

USPC ..... D12/415, 419; D7/701-708, 619.1-625  
CPC . B60N 3/10; B60N 3/00; B60N 3/102; B60N  
3/103; B60N 3/105; B60N 3/107; A47G  
23/02; A47G 23/0208; A47G 23/0241

See application file for complete search history.

(56) **References Cited**

**U.S. PATENT DOCUMENTS**

D33,252 S	9/1900	Lynch	
D165,683 S *	1/1952	Fournier et al.	..... D7/624.1
5,118,063 A	6/1992	Young, Sr.	
D341,624 S	11/1993	Evenson et al.	
D398,481 S	9/1998	Brown et al.	
6,109,580 A	8/2000	Stern et al.	
D447,024 S *	8/2001	Thomas	..... D12/419
6,533,233 B2 *	3/2003	Thomas	..... B60N 3/103 206/217
6,732,990 B2	5/2004	Hudson	
D529,765 S	10/2006	Gomes et al.	
D655,136 S	3/2012	Goodman	
D819,408 S	6/2018	Floco	
D829,637 S	10/2018	Patten	
10,155,482 B2	12/2018	Corso	
10,441,071 B2	10/2019	Floco	
D948,961 S *	4/2022	Robinson	..... D7/620

2006/0118453 A1 6/2006 Hillebrecht et al.  
2015/0321593 A1 11/2015 North  
2019/0031397 A1 1/2019 Grove

**FOREIGN PATENT DOCUMENTS**

CN 214728382 11/2021

**OTHER PUBLICATIONS**

Amazon.com, Heart Horse Car Seat Organizer Gap Filler, ASIN: B08QBDC19V, 12 pages, date first available Dec. 16, 2020 (Year: 2020).\*

\* cited by examiner

*Primary Examiner* — Terry A Wallace

(74) *Attorney, Agent, or Firm* — Gurr Brande & Spendlove, PLLC; Robert A. Gurr

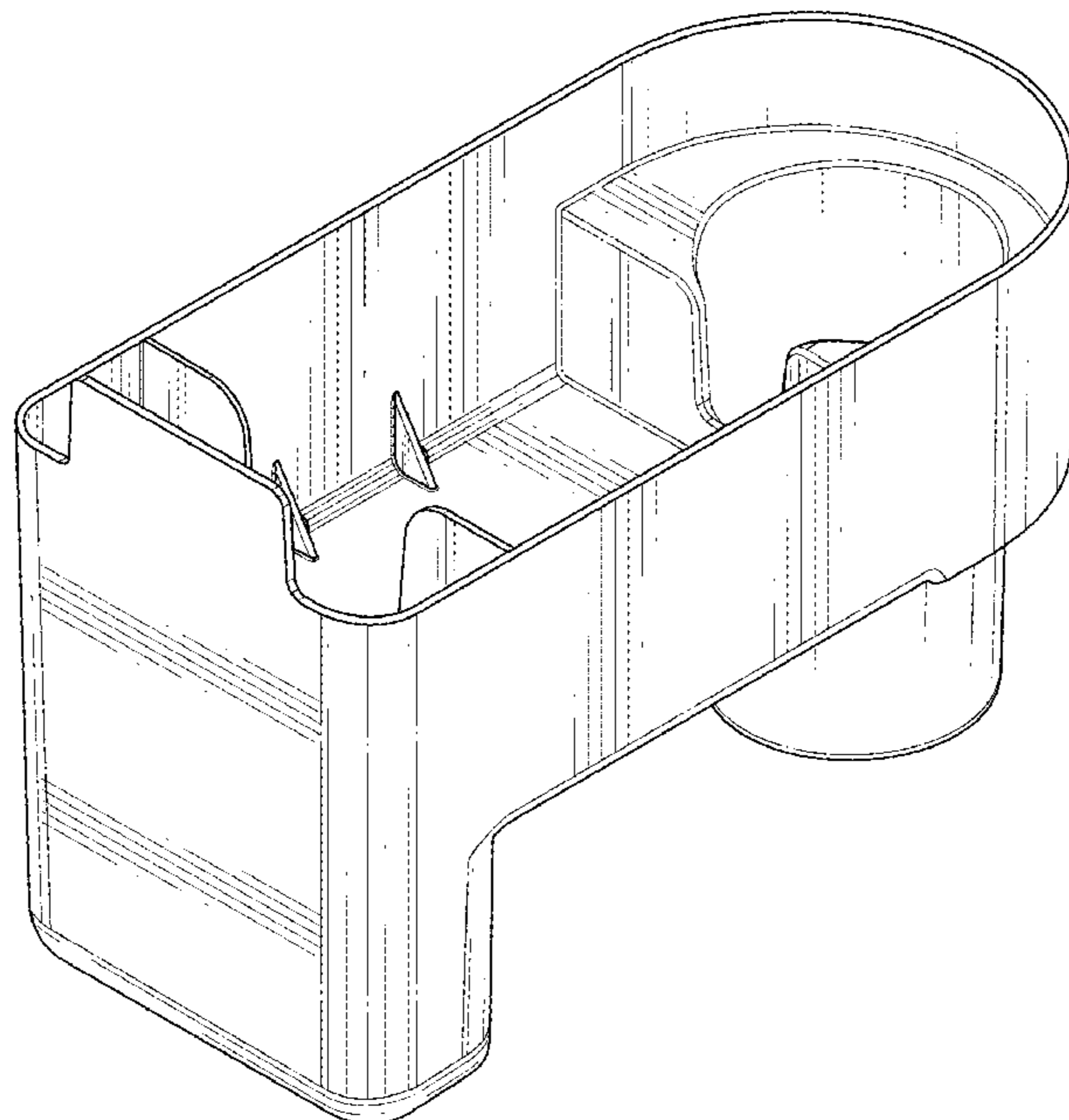
(57) **CLAIM**

The ornamental design for a cup holder extension, as shown and described.

**DESCRIPTION**

FIG. 1 is a top, right side perspective view of the cup holder extension;  
FIG. 2 is a front elevation view of the cup holder extension;  
FIG. 3 is a rear elevation view of the cup holder extension;  
FIG. 4 is a right side elevation view of the cup holder extension;  
FIG. 5 is a left side elevation view of the cup holder extension;  
FIG. 6 is a top plan view of the cup holder extension;  
FIG. 7 is a bottom plan view of the cup holder extension;  
FIG. 8 is a top, left side perspective view of the cup holder extension; and,  
FIG. 9 is a bottom, left side perspective view of the cup holder extension.

**1 Claim, 9 Drawing Sheets**



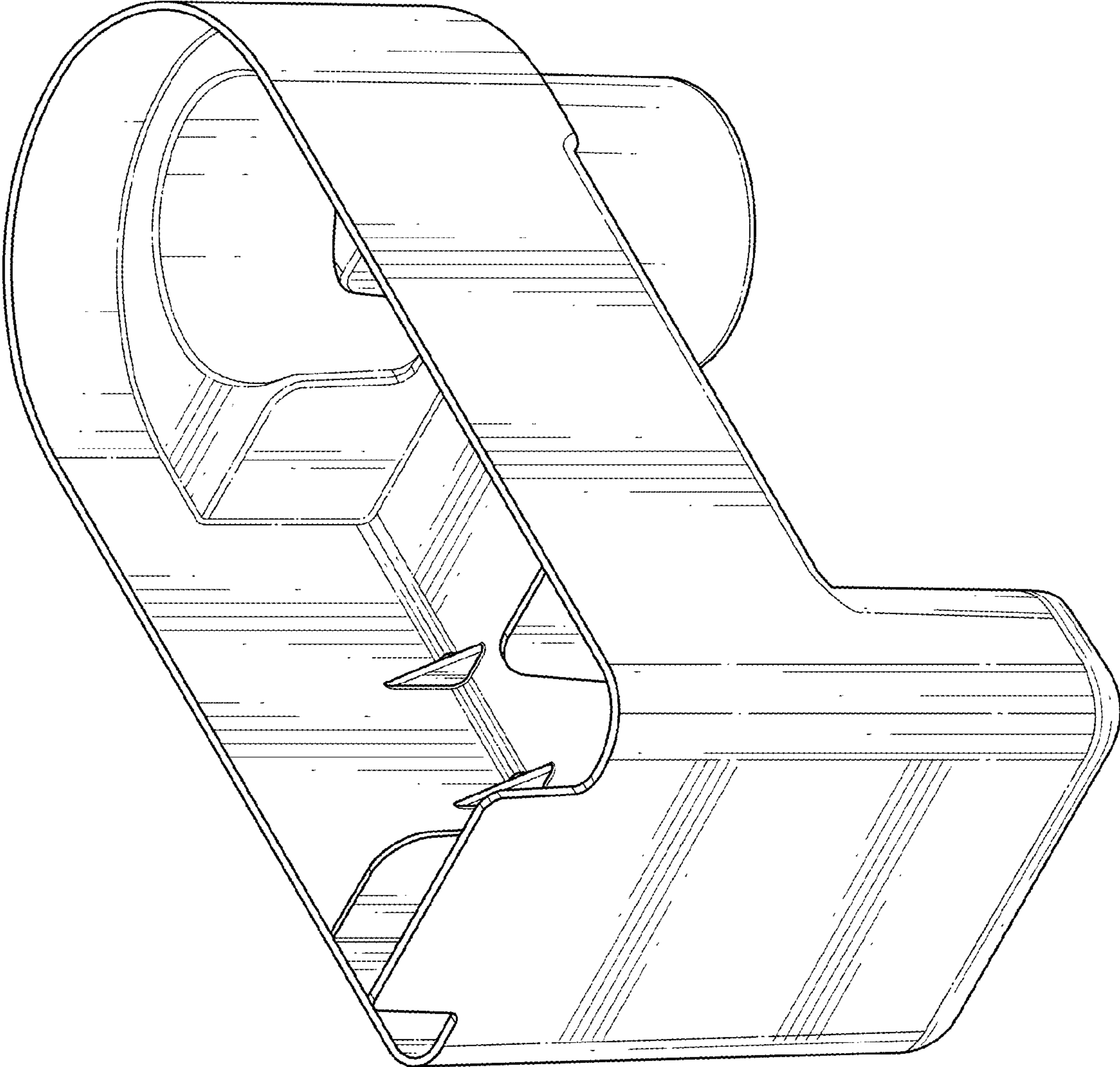


FIG. 1

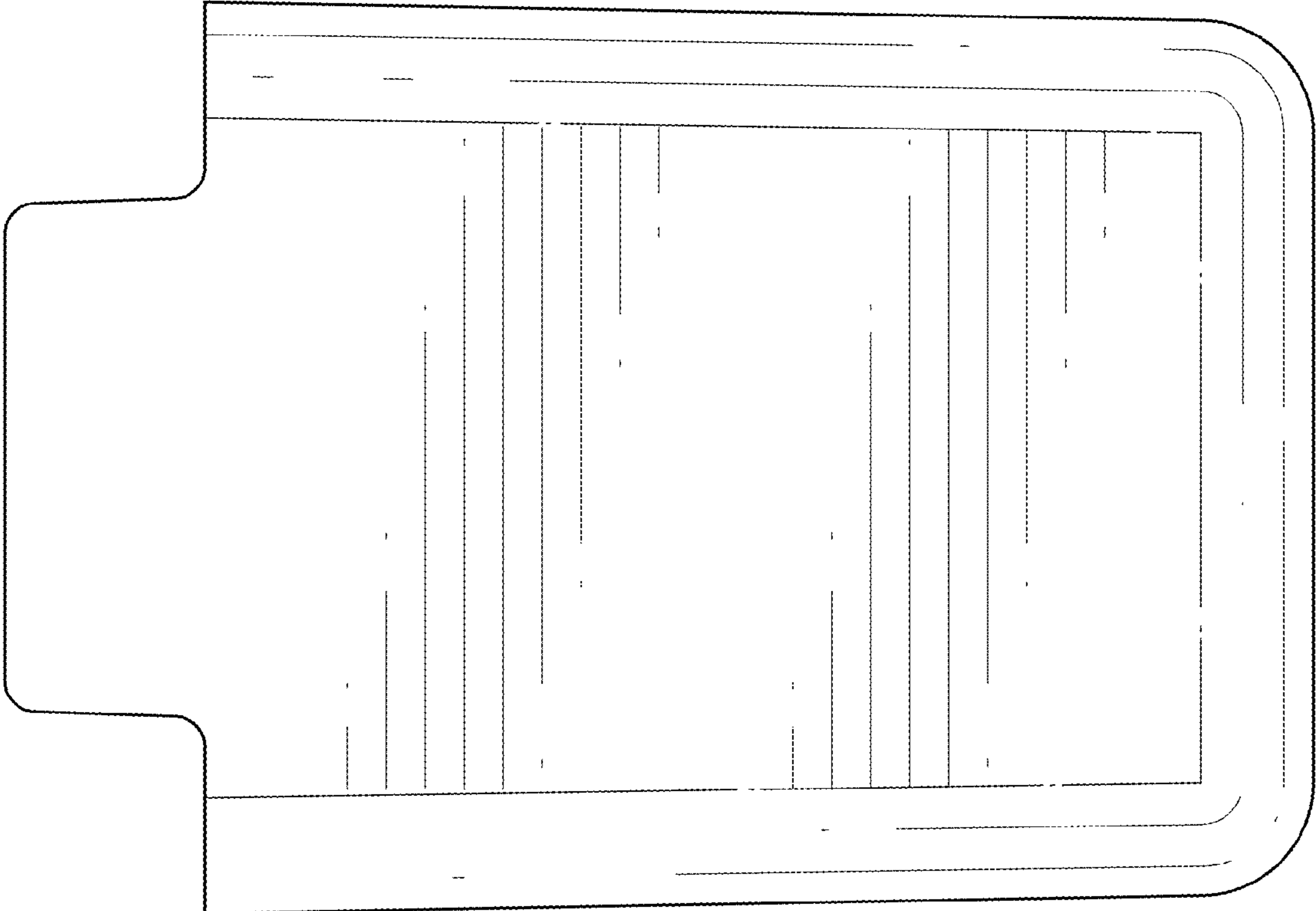


FIG. 2

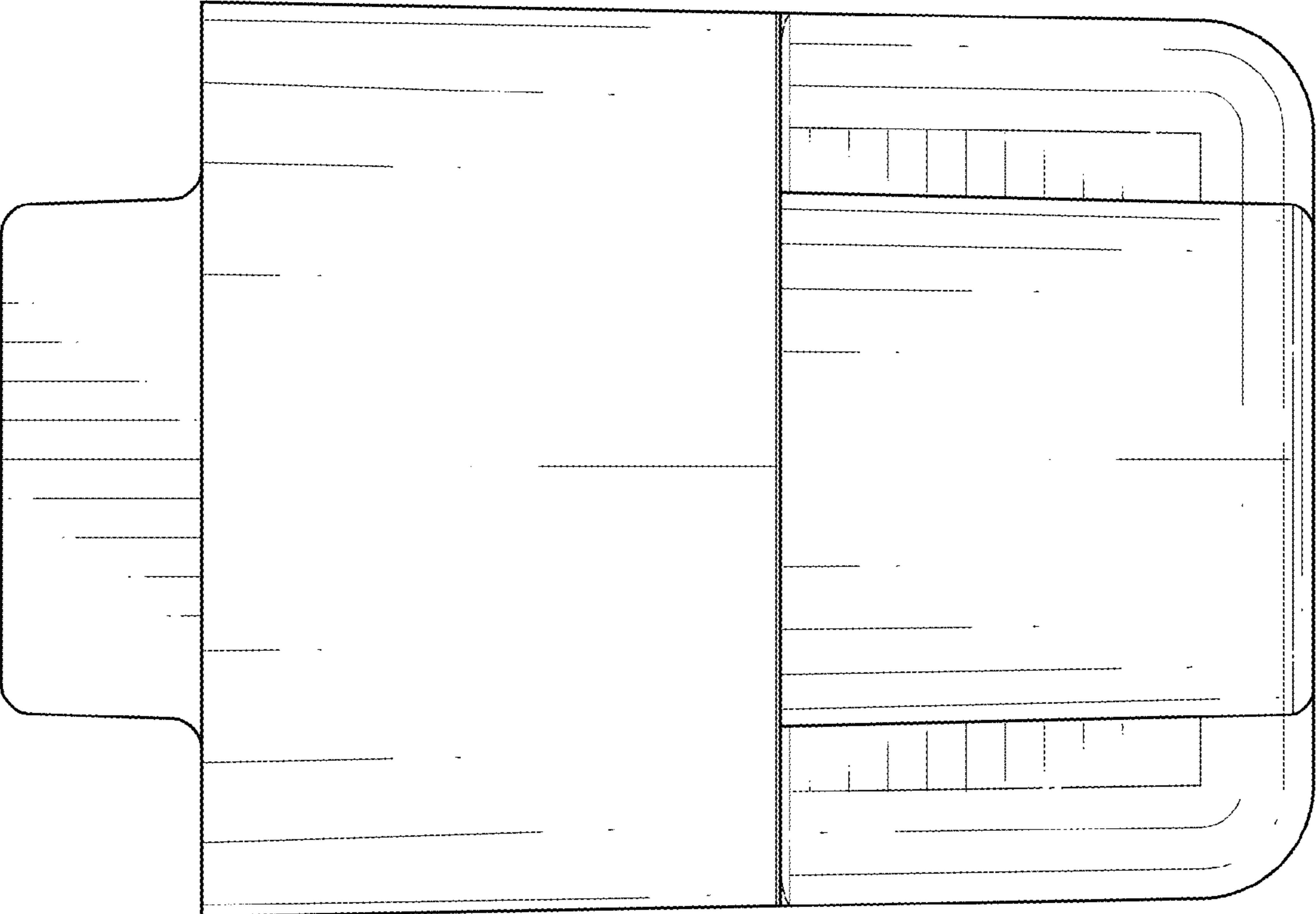


FIG. 3

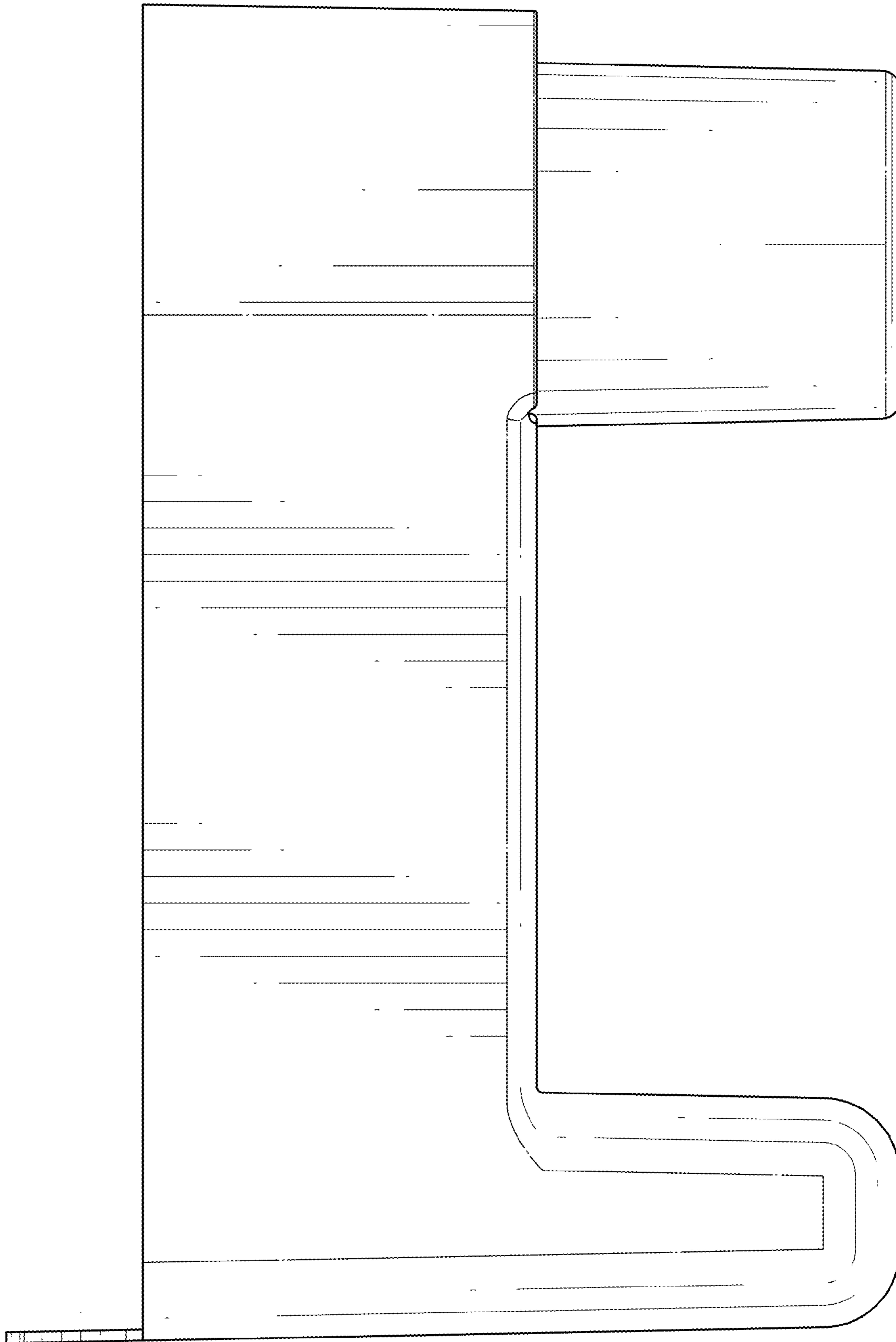


FIG. 4



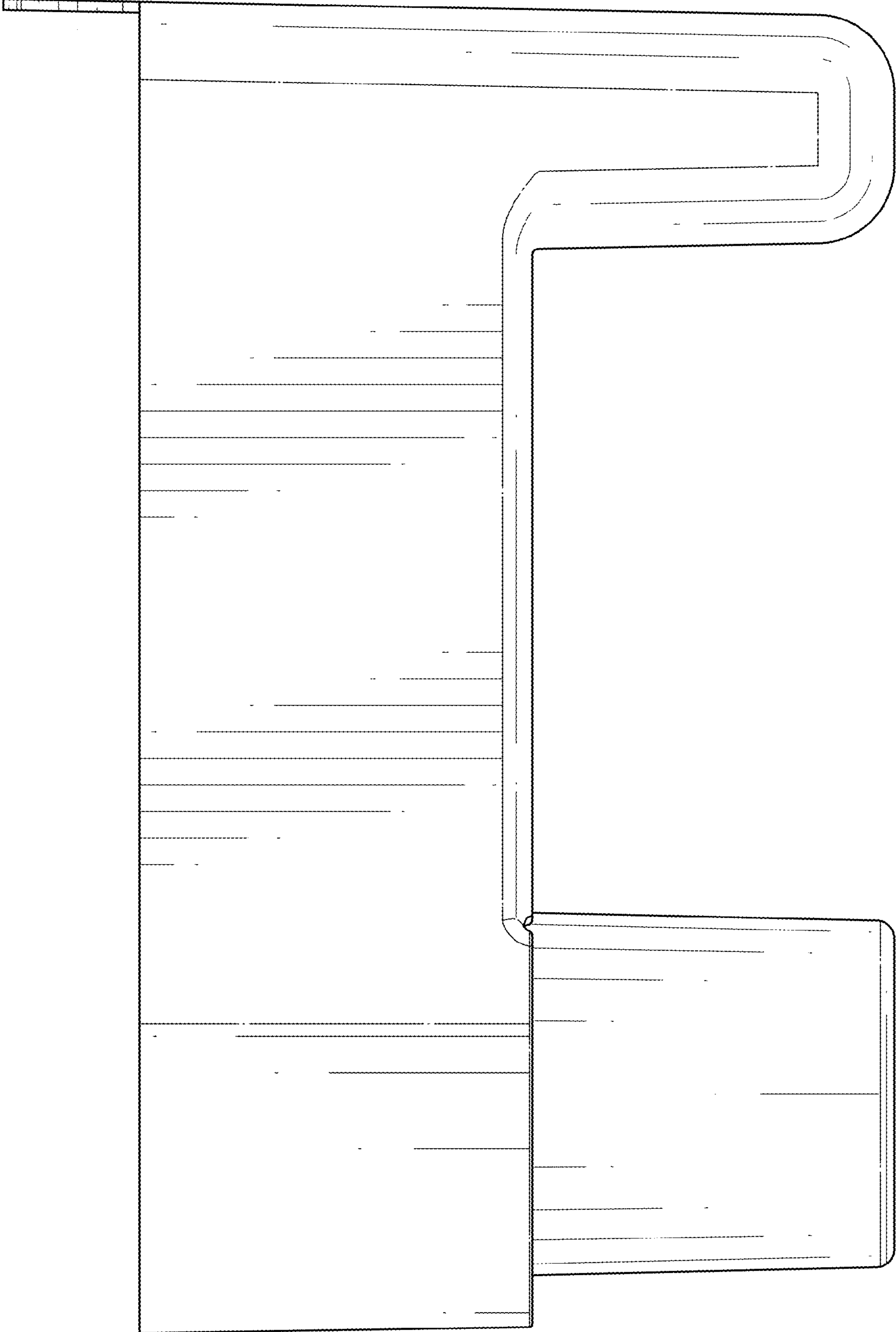


FIG. 5

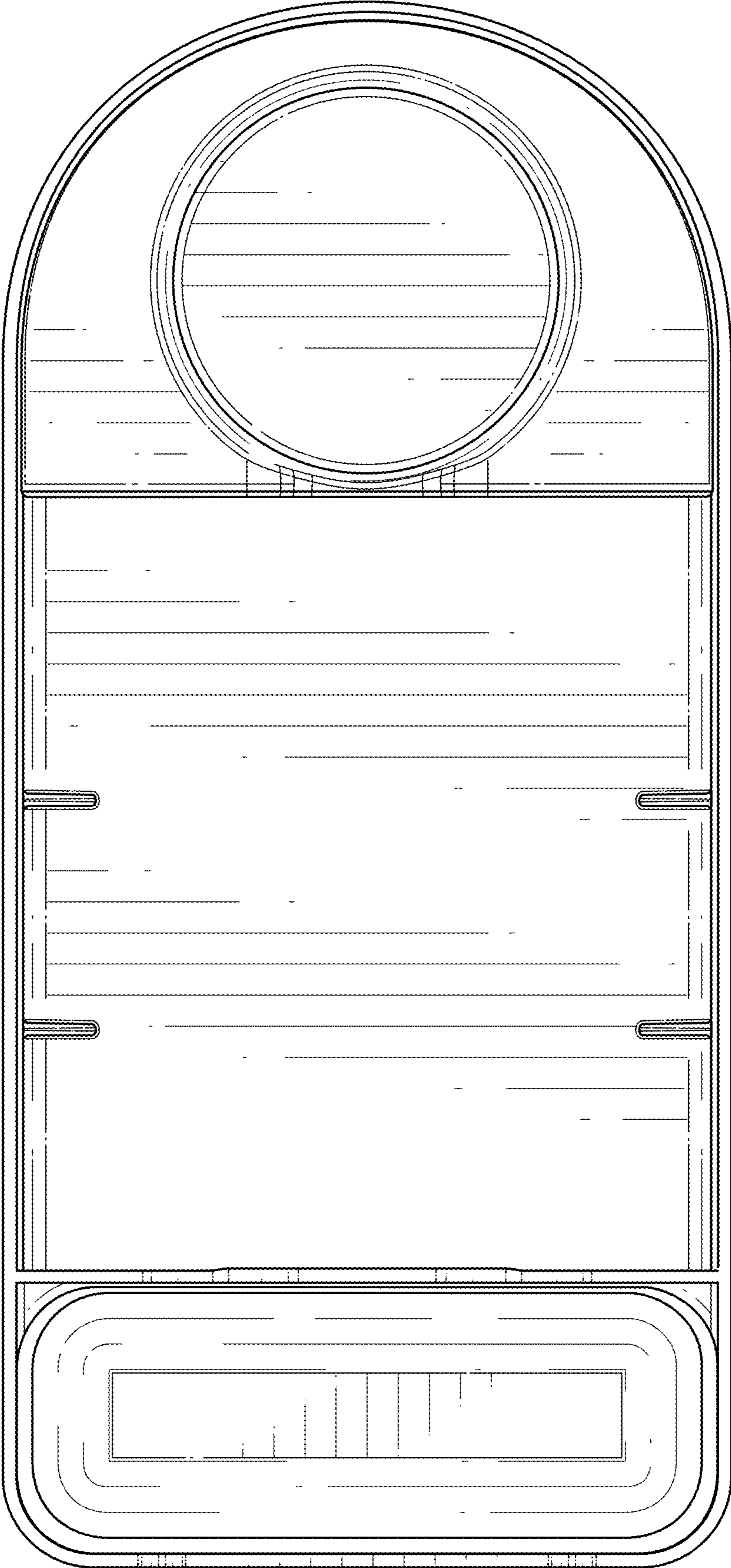


FIG. 6

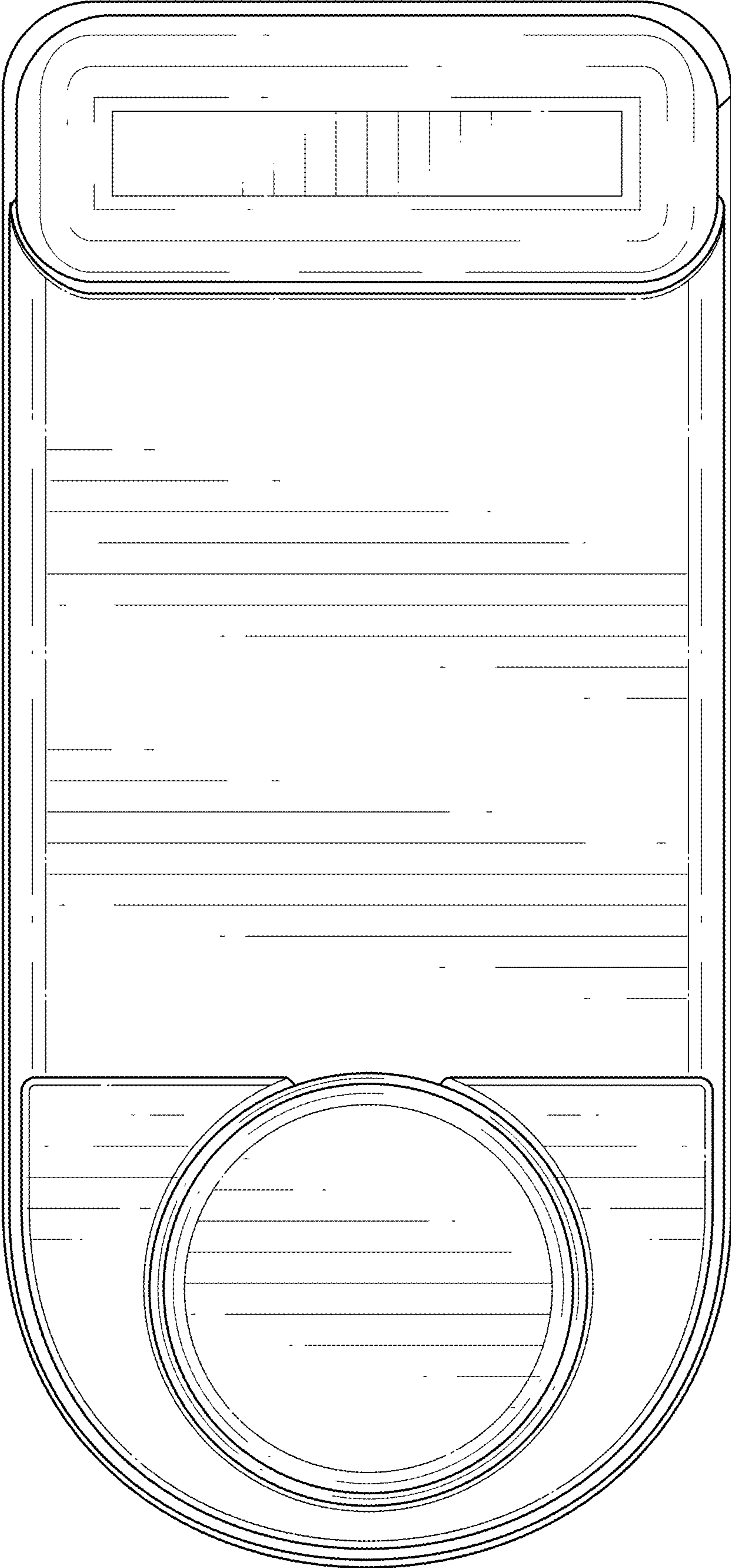


FIG. 7



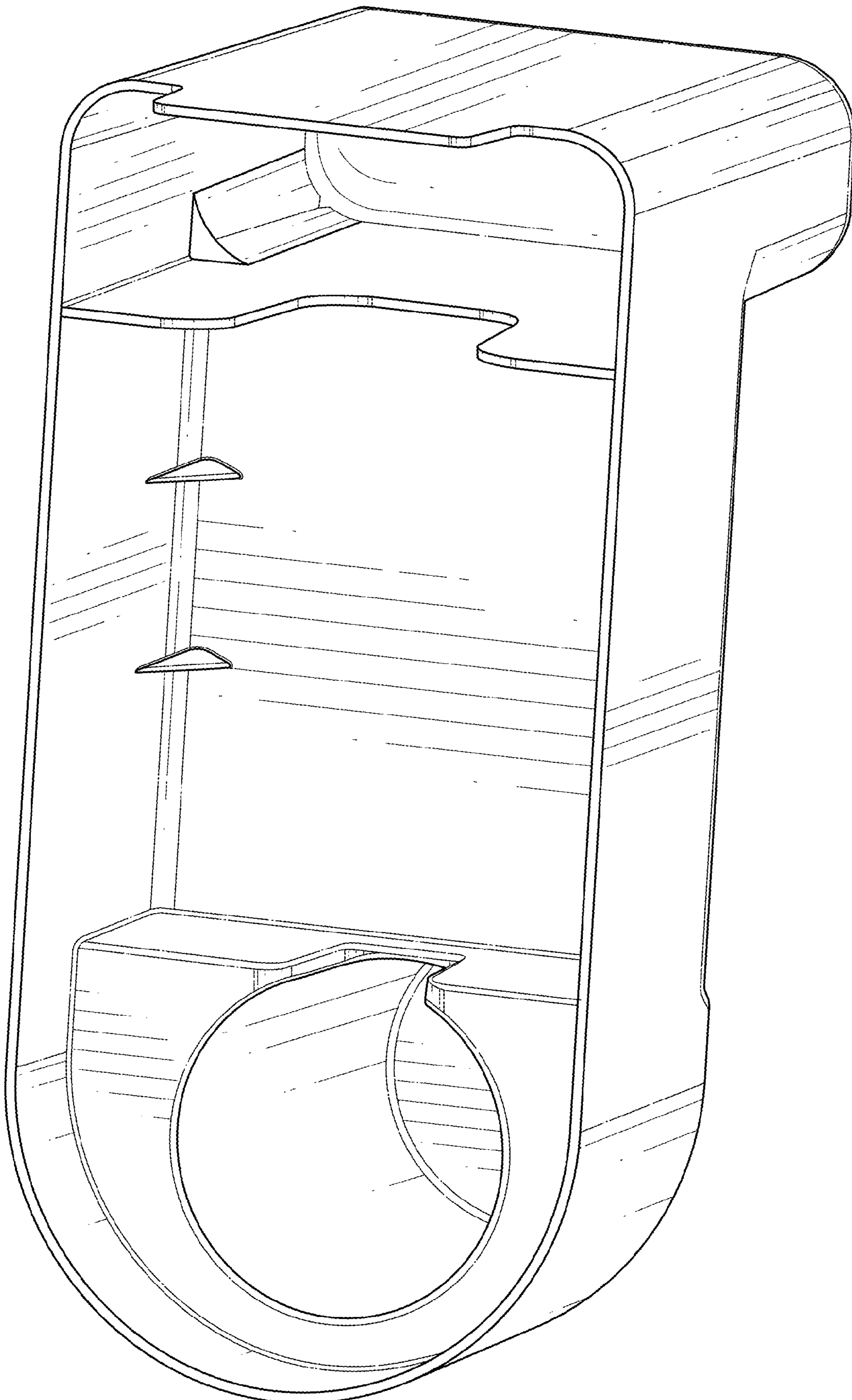


FIG. 8

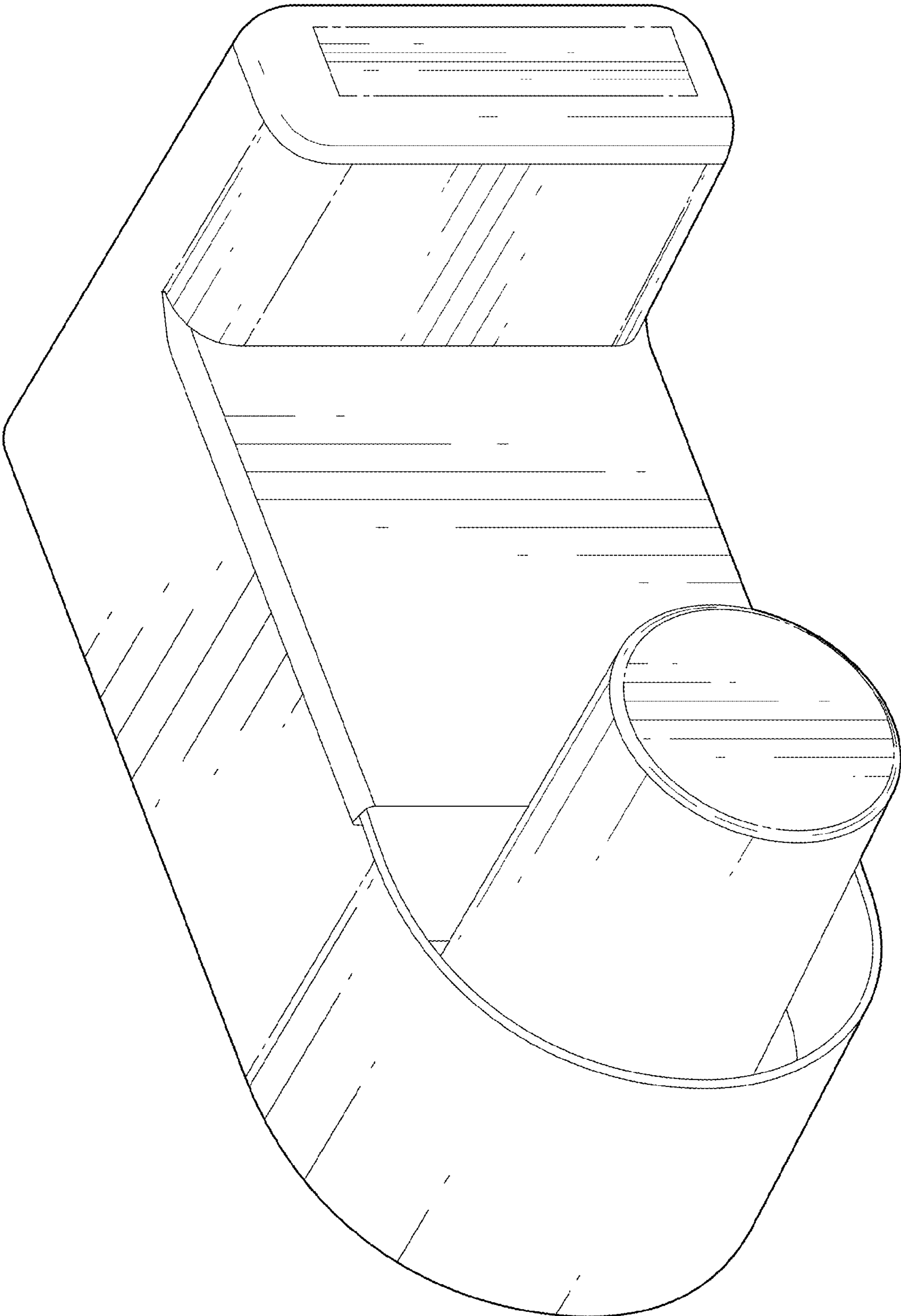


FIG. 9