

US00D978060S

(12) **United States Design Patent**
Yang

(10) **Patent No.:** **US D978,060 S**

(45) **Date of Patent:** **** Feb. 14, 2023**

(54) **VEHICLE ROOF RACK CLAMPER**

(71) Applicant: **Guangzhou Boju Information Technology Co., Ltd., Guangzhou (CN)**

(72) Inventor: **Taiping Yang, Shenzhen (CN)**

(**) Term: **15 Years**

(21) Appl. No.: **29/783,920**

(22) Filed: **May 17, 2021**

(51) **LOC (14) Cl.** **12-16**

(52) **U.S. Cl.**
USPC **D12/412**

(58) **Field of Classification Search**
USPC D12/406-414; D3/35; D6/317-319,
D6/513-514; D32/58
CPC B62J 9/003; B62J 7/06; B62J 9/001
See application file for complete search history.

(56) **References Cited**

U.S. PATENT DOCUMENTS

D709,818 S *	7/2014	Zhang	D12/412
D792,833 S *	7/2017	Chan	D12/412
10,384,587 B2 *	8/2019	Flaherty	B60P 3/1008
D879,012 S *	3/2020	Guo	D12/412

D885,304 S	5/2020	Henrik et al.	
D895,529 S *	9/2020	Chang D12/412
D895,530 S *	9/2020	Lathrop D12/412
D906,225 S *	12/2020	Eriksson D12/412
D908,072 S *	1/2021	Connellan D12/412
D919,550 S *	5/2021	Teng D12/412
D921,567 S *	6/2021	Pearce D12/412
D921,568 S *	6/2021	Xia D12/412
D929,930 S *	9/2021	Park D12/406
D940,631 S *	1/2022	Gangappa D12/412

* cited by examiner

Primary Examiner — Katrina A Betton

(74) *Attorney, Agent, or Firm* — Runit Ranjit Kanakia

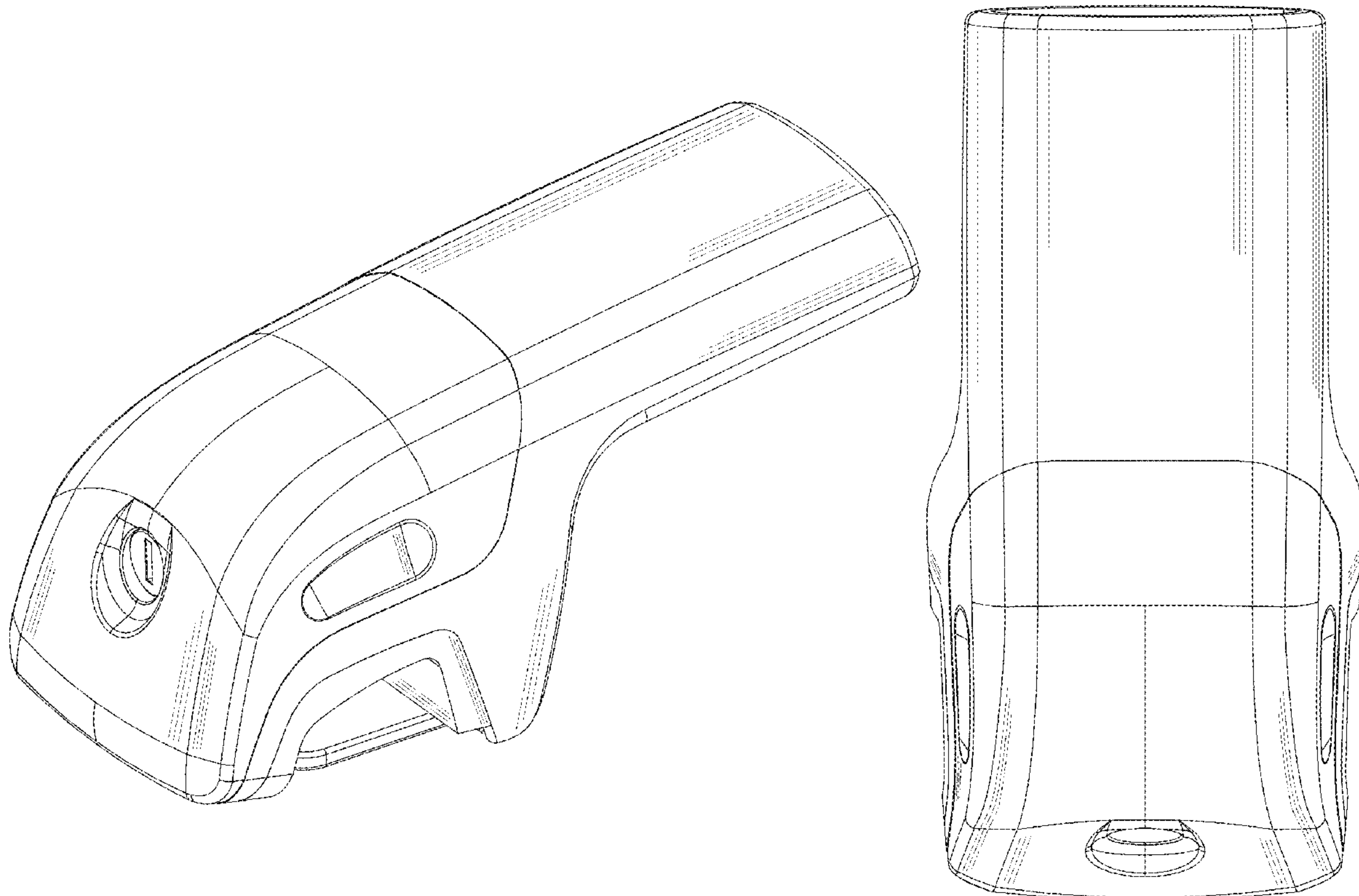
(57) **CLAIM**

I claim the ornamental design for a vehicle roof rack clamper, as shown and described.

DESCRIPTION

FIG. 1 is a Perspective view of a vehicle roof rack clamper showing my new design;
FIG. 2 is a Front view thereof;
FIG. 3 is a Back view thereof;
FIG. 4 is a Right-side view thereof;
FIG. 5 is a Left-side view thereof;
FIG. 6 is a Top view thereof; and,
FIG. 7 is a Bottom view thereof.

1 Claim, 7 Drawing Sheets



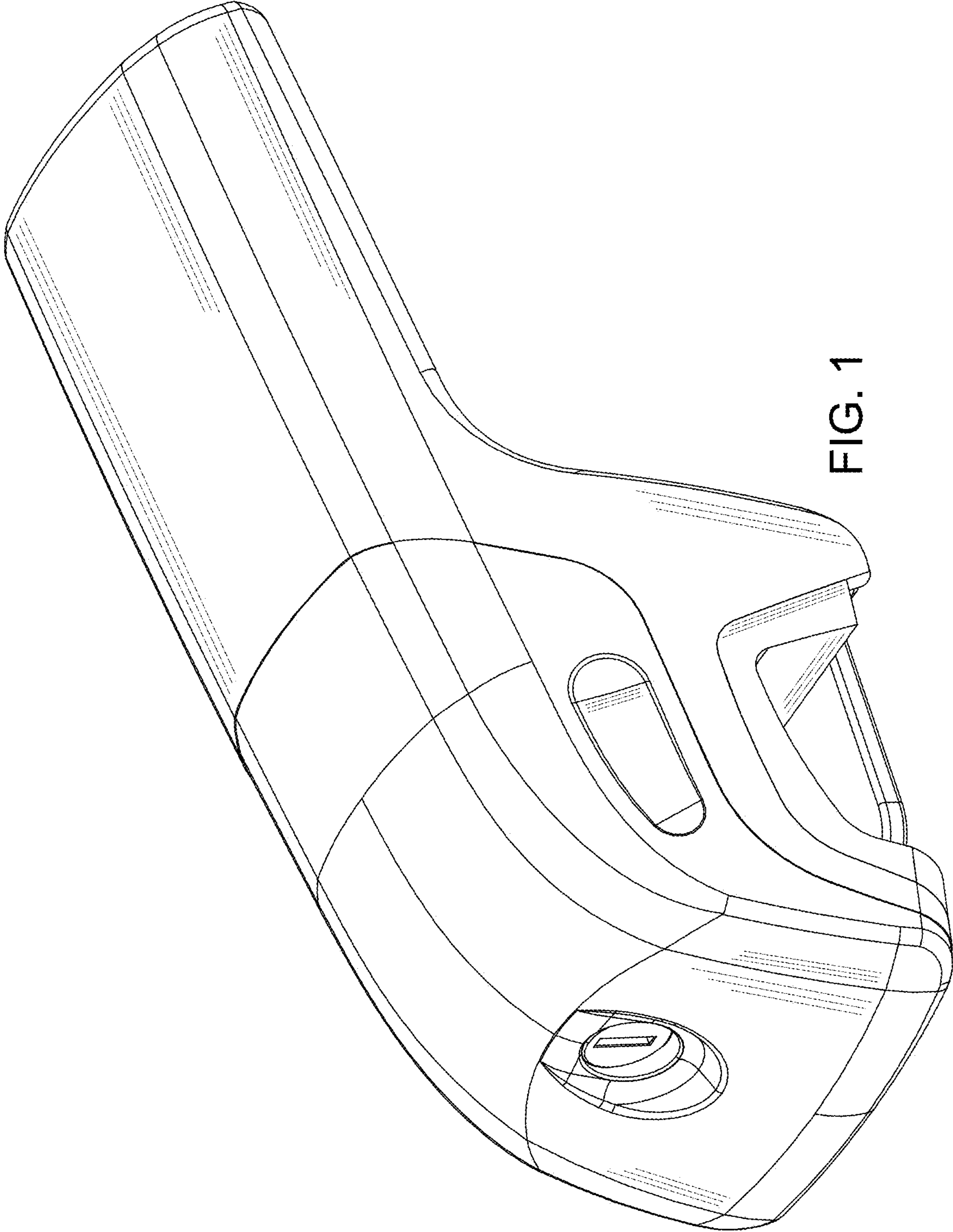


FIG. 1

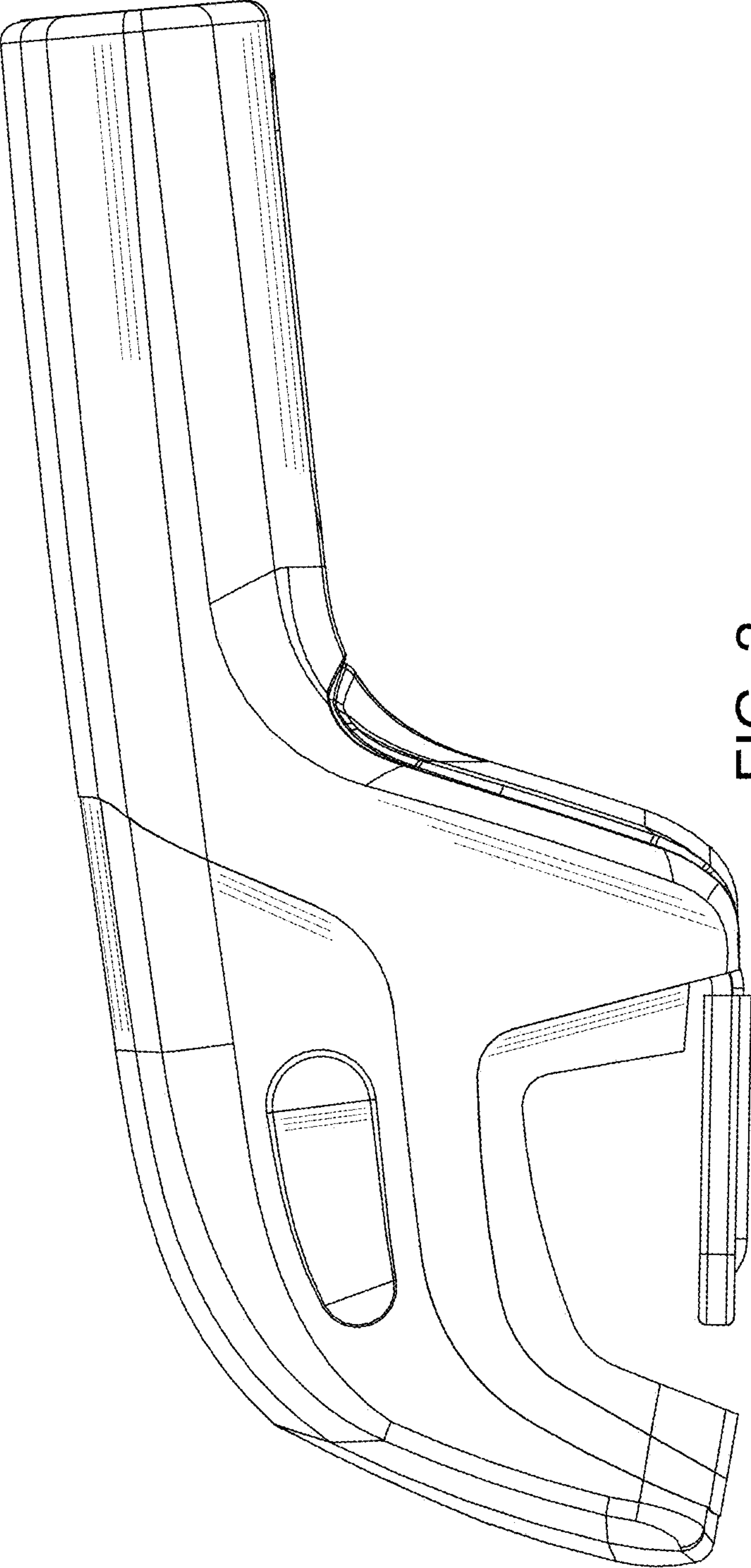


FIG. 2

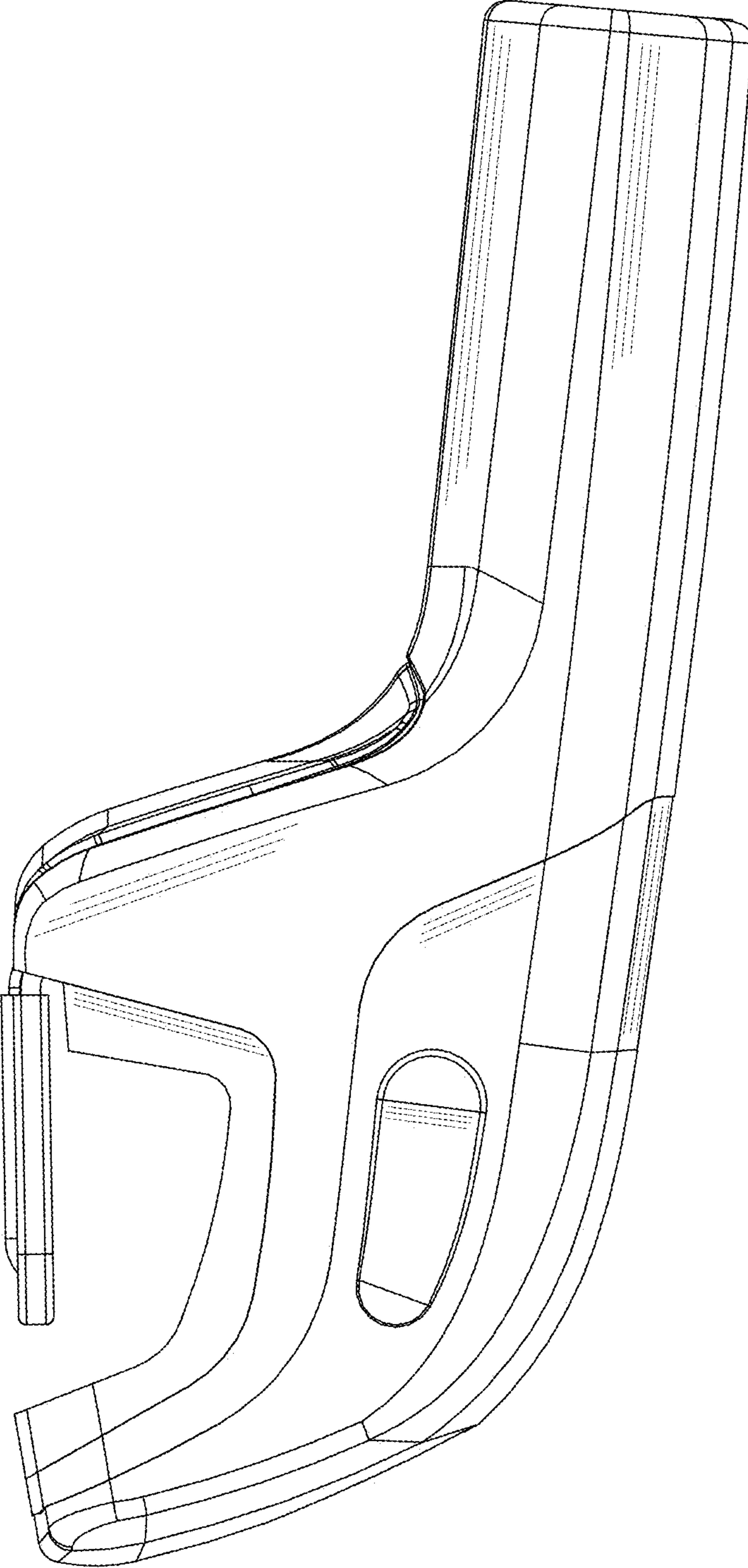


FIG. 3

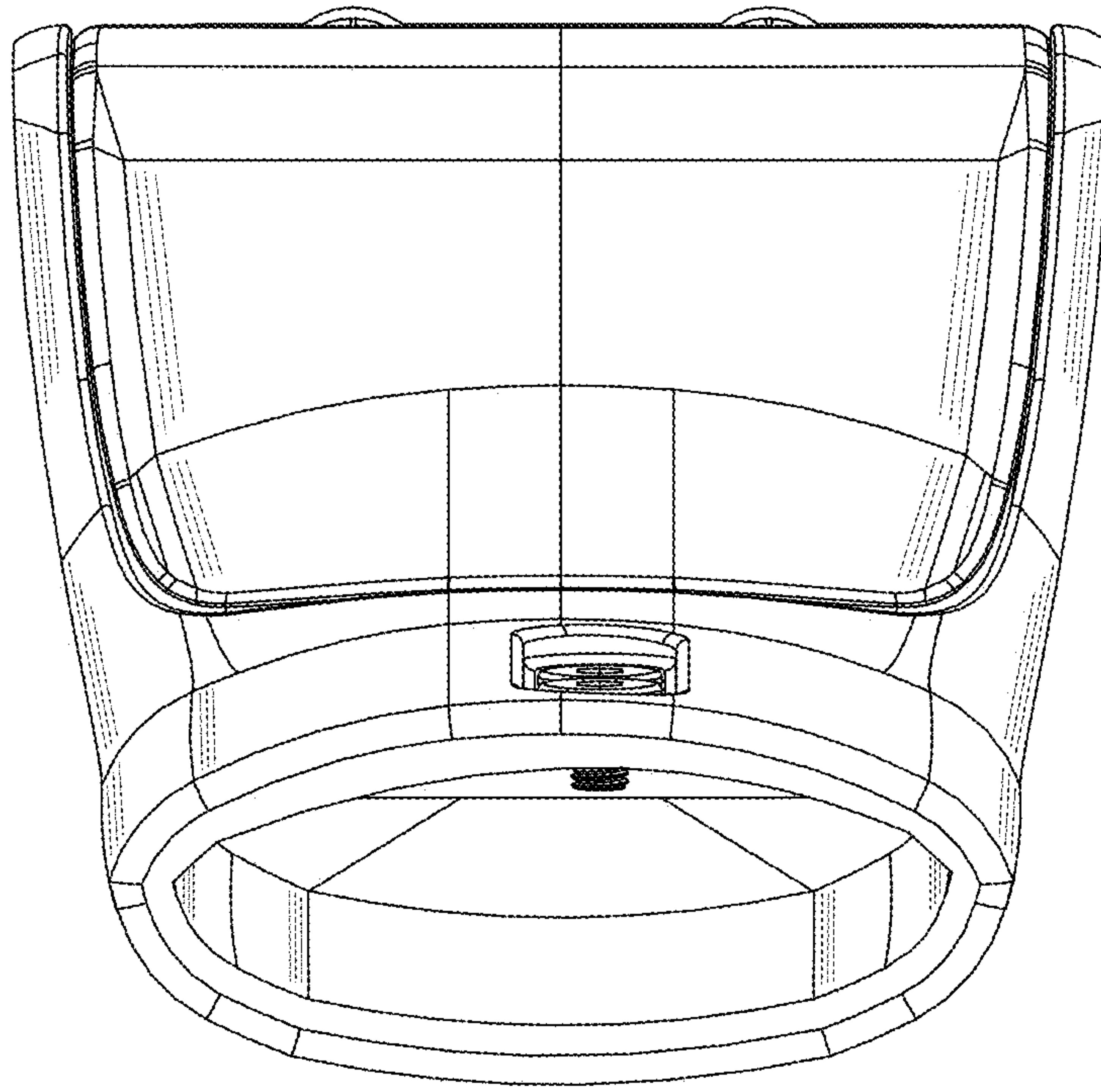


FIG. 4

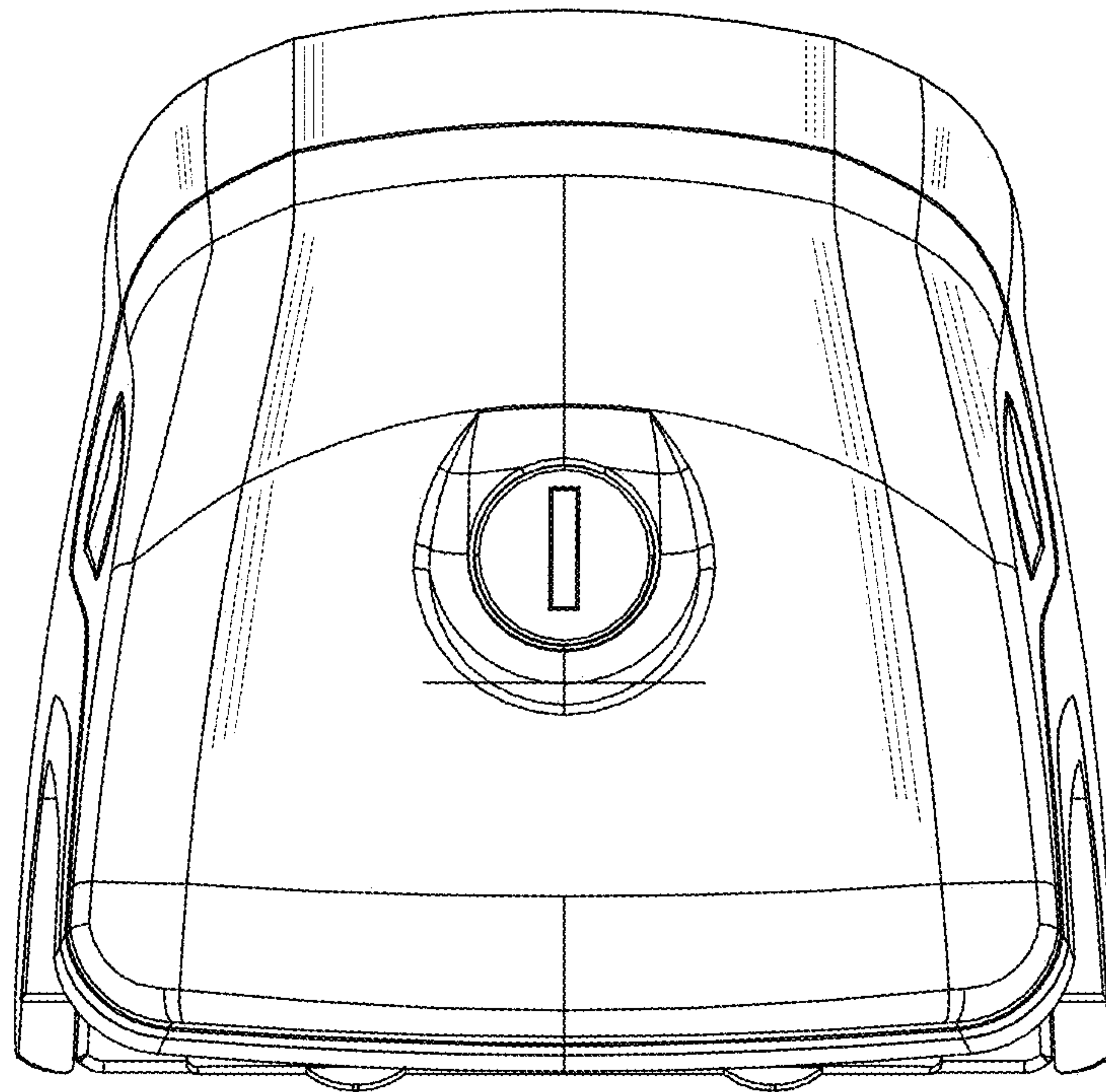


FIG. 5

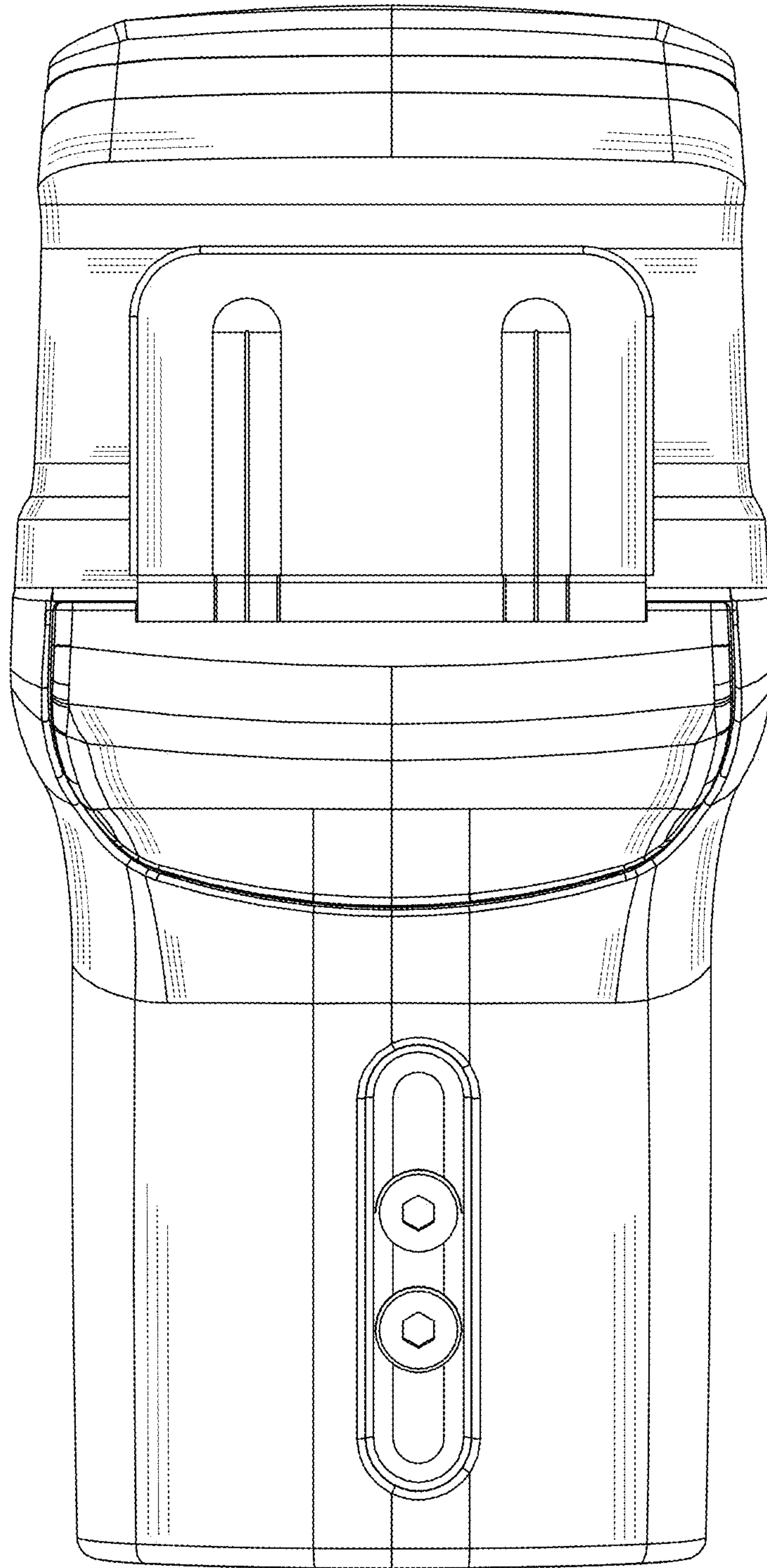


FIG. 6

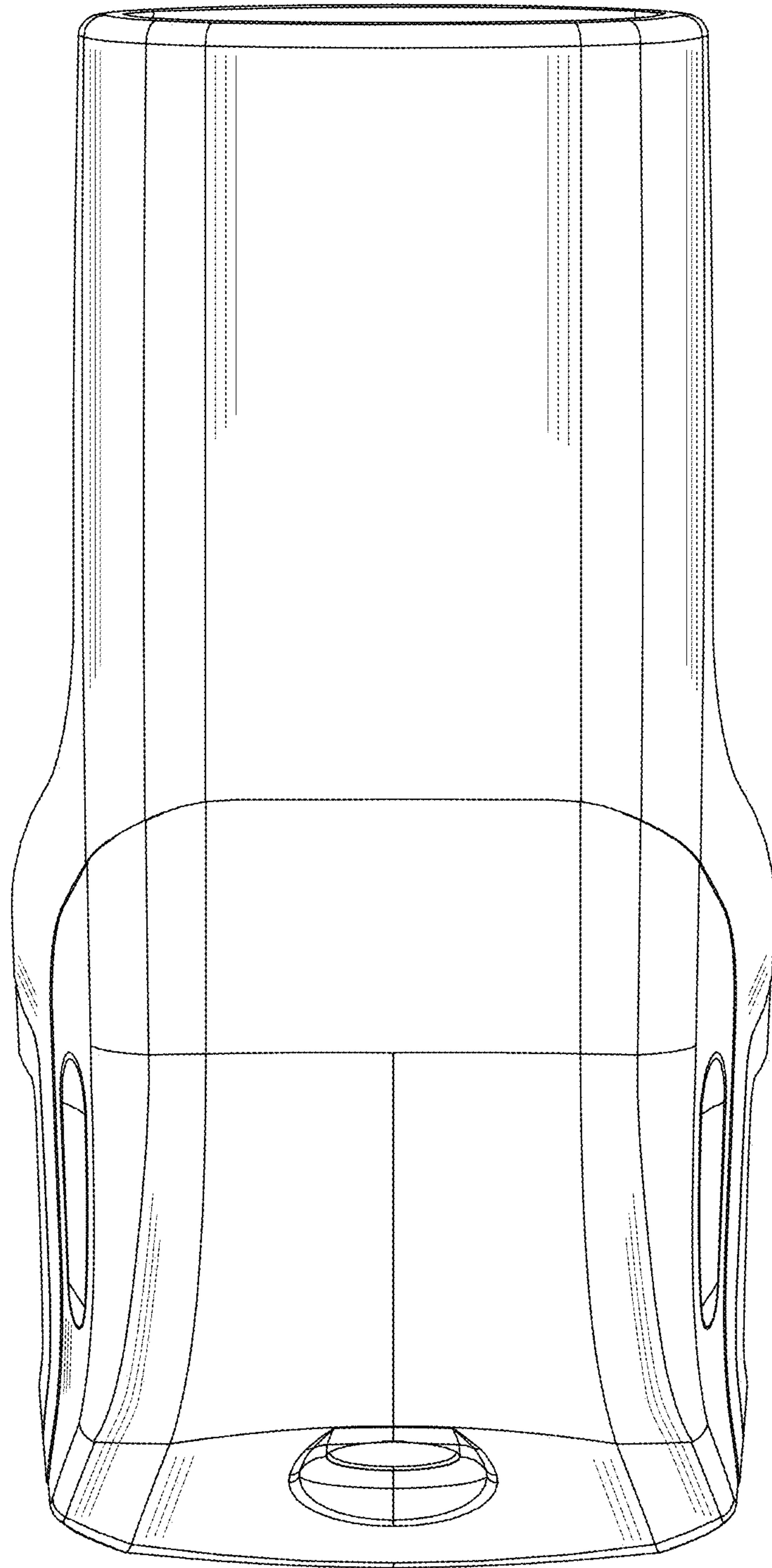


FIG. 7